



US00D928891S

(12) **United States Design Patent** (10) **Patent No.:** **US D928,891 S**  
**Manzoni** (45) **Date of Patent:** **\*\* Aug. 24, 2021**

(54) **TOY CAR**  
(71) Applicant: **FERRARI S.p.A.**, Modena (IT)  
(72) Inventor: **Flavio Manzoni**, Maranello (IT)  
(73) Assignee: **FERRARI S.p.A.**, Modena (IT)  
(\*\*) Term: **15 Years**  
(21) Appl. No.: **35/508,674**

D673,080 S \* 12/2012 Cimatti ..... D12/92  
D718,667 S \* 12/2014 Manzoni ..... D12/92  
D801,871 S \* 11/2017 Manzoni ..... D12/92  
D830,901 S \* 10/2018 Manzoni ..... D12/88  
D830,902 S \* 10/2018 Manzoni ..... D12/88  
D839,808 S \* 2/2019 Manzoni ..... D12/196  
D852,899 S \* 7/2019 Langberg ..... D21/548  
D856,194 S \* 8/2019 Saleen ..... D12/92  
D860,861 S \* 9/2019 Manzoni ..... D12/88  
D863,104 S \* 10/2019 Bennion ..... D12/88  
D891,299 S \* 7/2020 Shkinder ..... D12/88  
D899,304 S \* 10/2020 Palazzo ..... D12/88  
D906,173 S \* 12/2020 Carr ..... D12/88

(22) Filed: **Aug. 27, 2019**

**OTHER PUBLICATIONS**

(80) **Hague Agreement Data**

Ferrari, Ferrari F8 Tributo—Official Video, published on YouTube.com on Mar. 5, 2019. Retrieved from the internet on Jan. 4, 2020. < URL: <https://youtu.be/y12f7Nxfgkw?t=38>> (Year: 2019).\*

Int. Filing Date: **Aug. 27, 2019**  
Int. Reg. No.: **DM/204095**  
Int. Reg. Date: **Aug. 27, 2019**  
Int. Reg. Pub. Date: **Feb. 28, 2020**

\* cited by examiner

(30) **Foreign Application Priority Data**

*Primary Examiner* — George D. Kirschbaum

Feb. 27, 2019 (EM) ..... 006268314

*Assistant Examiner* — Joseph J Kukella

(51) **LOC (13) Cl.** ..... **21-01**

(74) *Attorney, Agent, or Firm* — Cowan, Liebowitz & Latman, P.C.; Anastasia Zhadina

(52) **U.S. Cl.**  
USPC ..... **D21/548**; D12/91

(57) **CLAIM**

The ornamental design for toy car, as shown and described.

(58) **Field of Classification Search**

**DESCRIPTION**

USPC ..... D12/82, 86, 889, 90–92, 196; D21/424, D21/433, 434, 533, 548–550  
CPC ..... B62D 25/00; B62D 25/06; B62D 33/00; B62D 35/00; B62D 47/00; B62D 31/00; B62D 31/003

- 1. Toy car
- 1.1 : Front perspective view
- 1.2 : Rear perspective view
- 1.3 : Front
- 1.4 : Back
- 1.5 : Lateral view
- 1.6 : Top plan view

See application file for complete search history.

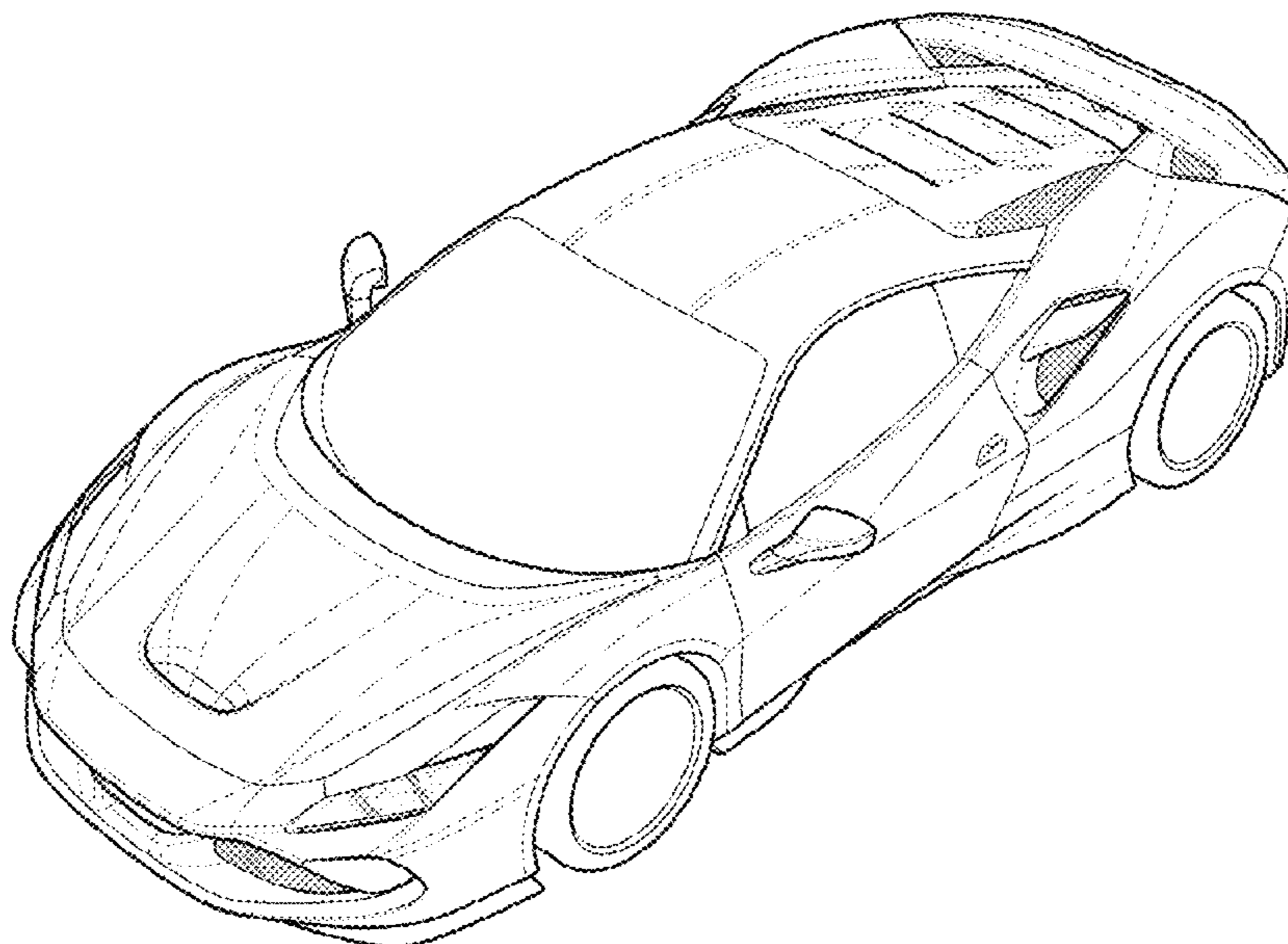
The broken lines depict portions of the toy car that form no part of the claimed design.

(56) **References Cited**

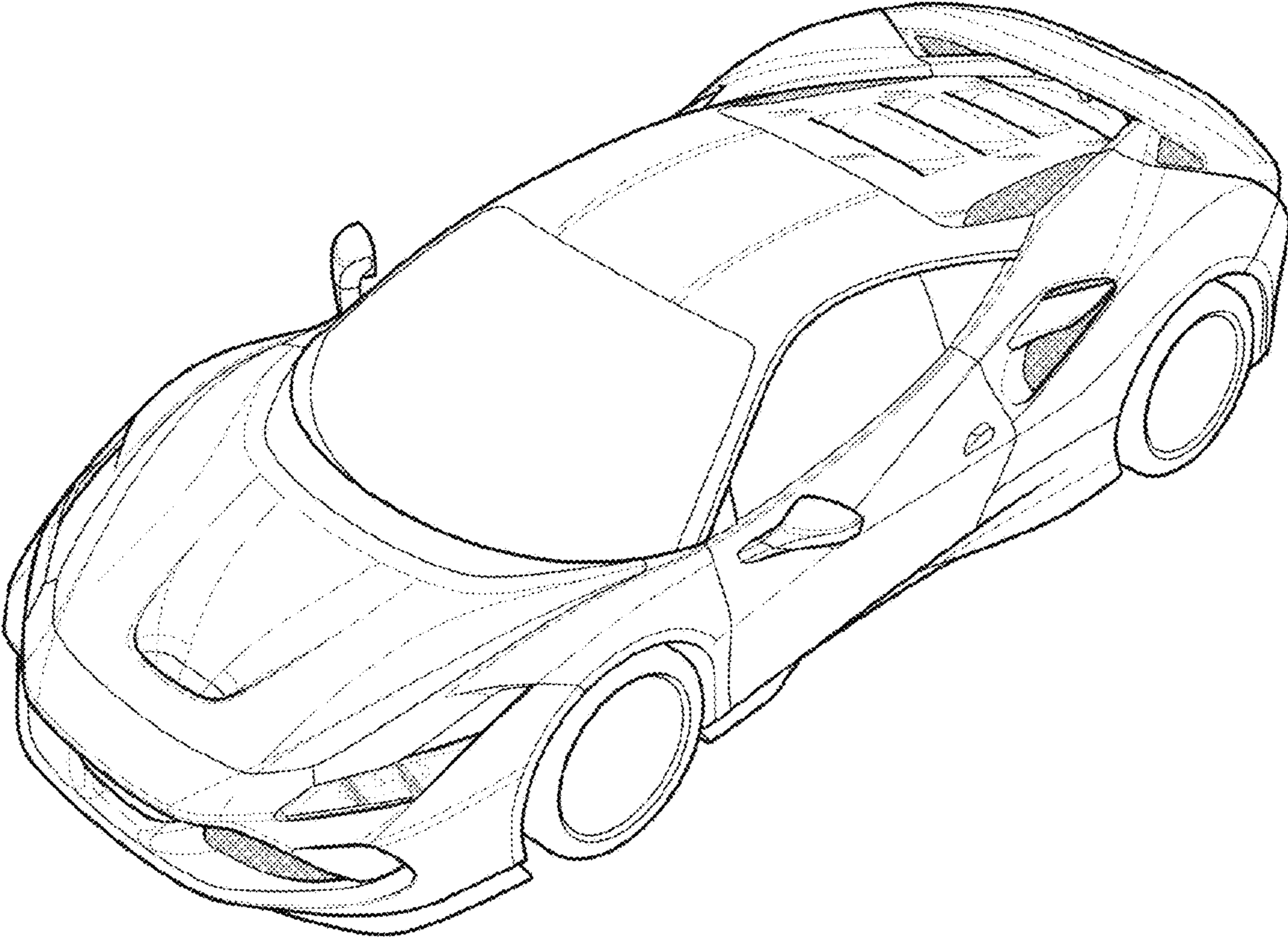
**U.S. PATENT DOCUMENTS**

D617,683 S \* 6/2010 Beneggi ..... D12/92  
D628,124 S \* 11/2010 Stephenson ..... D12/92

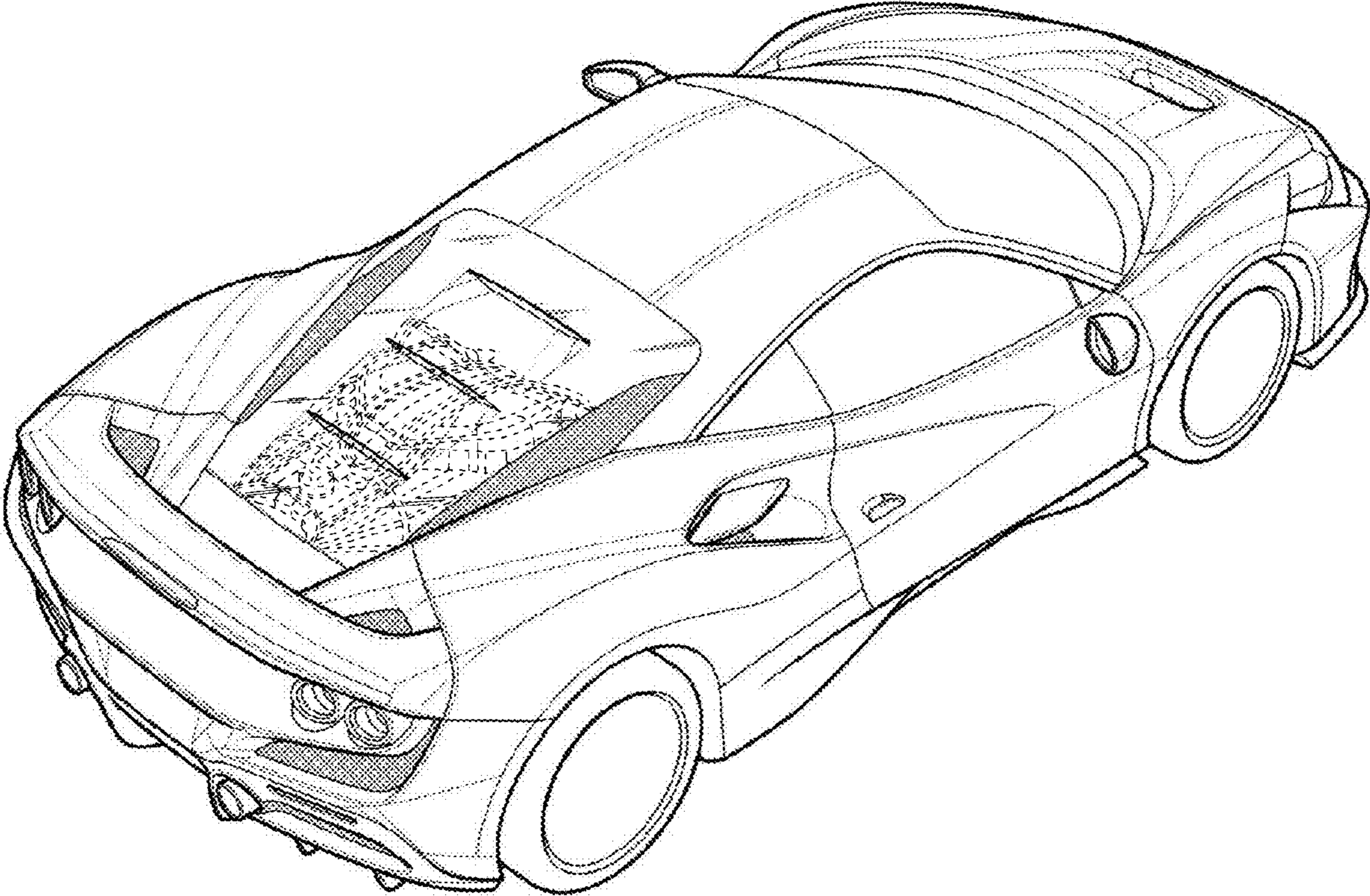
**1 Claim, 6 Drawing Sheets**



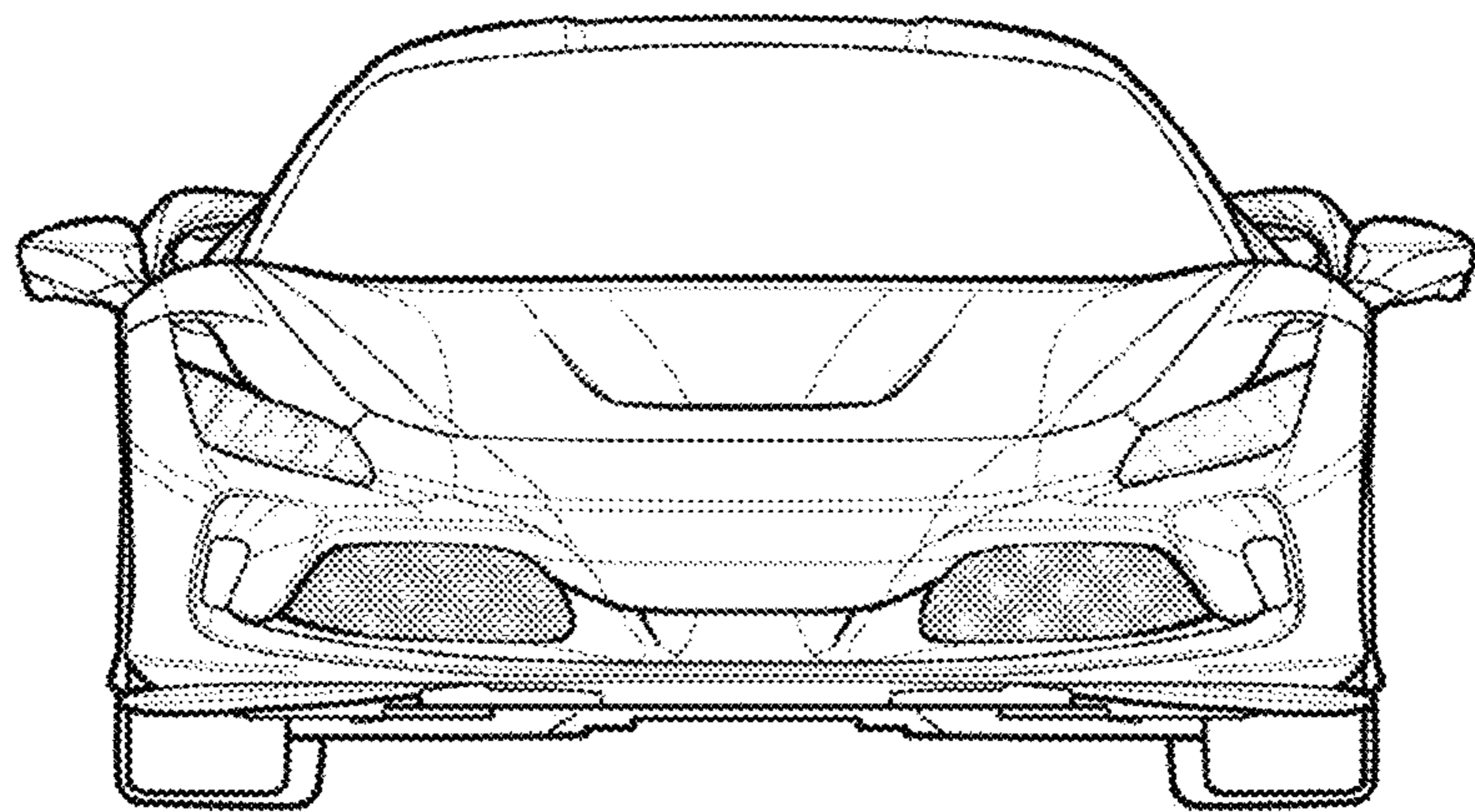
1.1



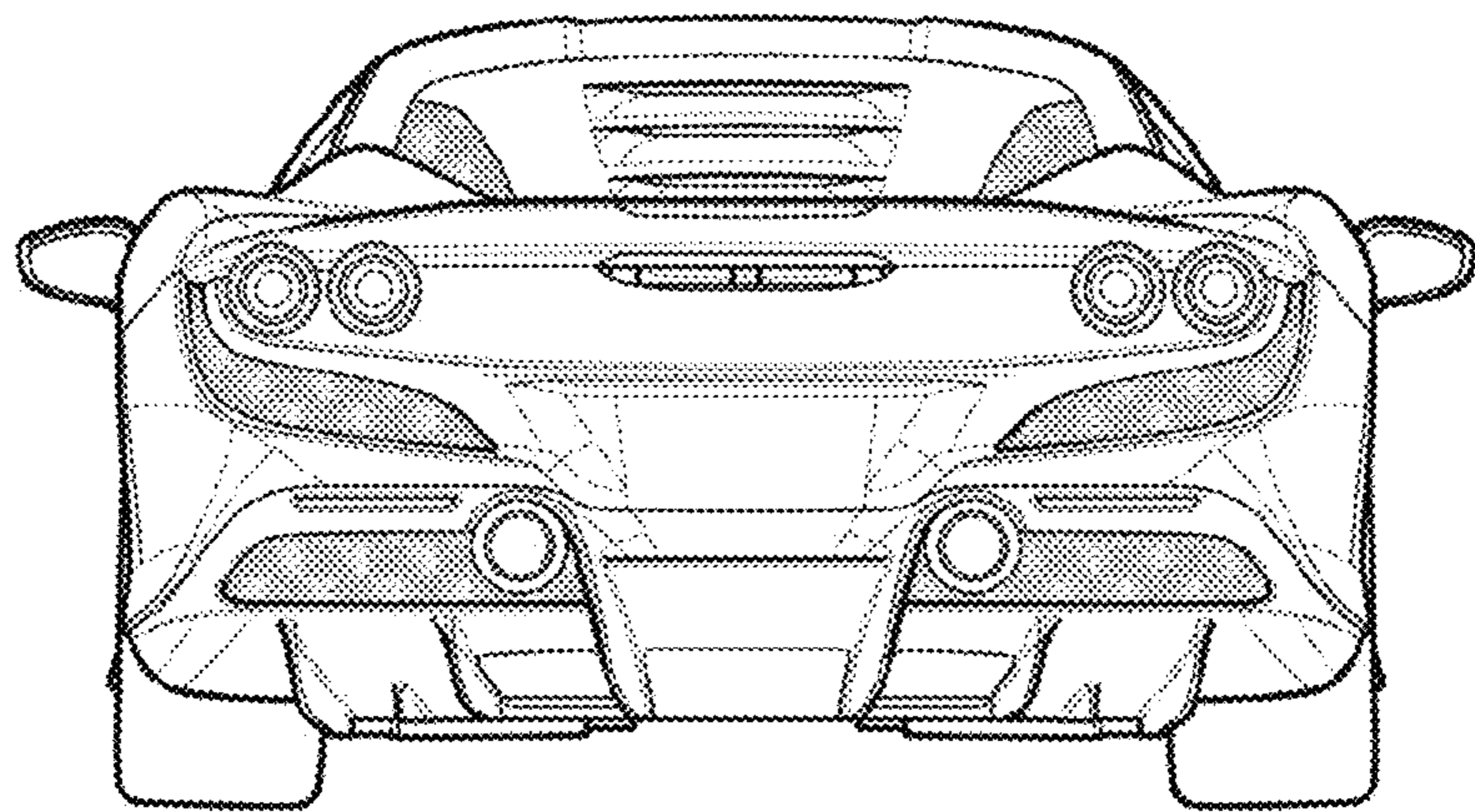
1.2



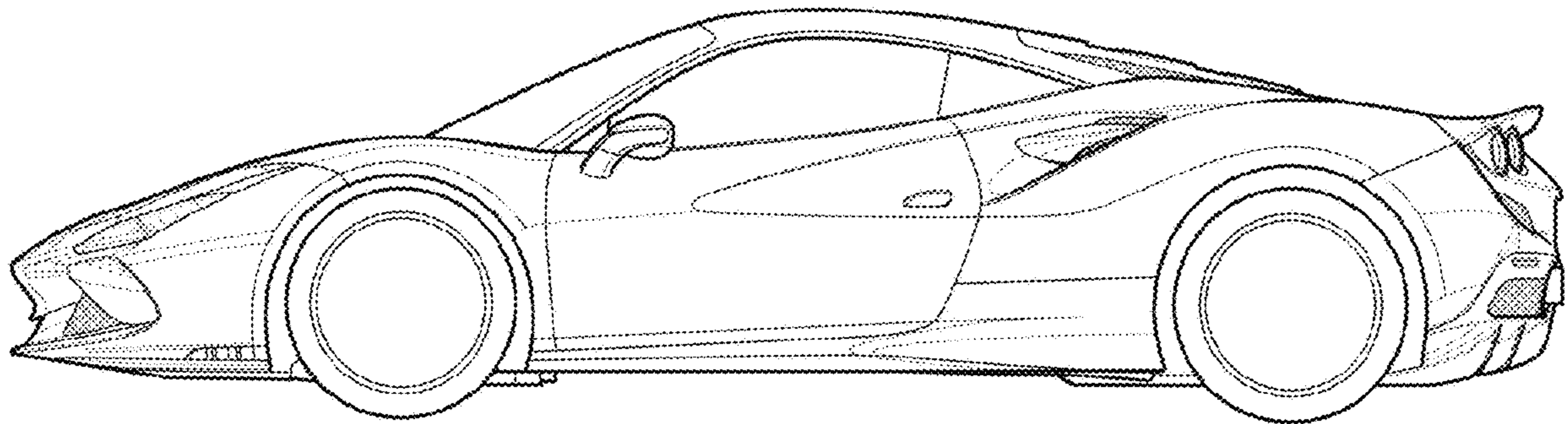
1.3



1.4



1.5



1.6

