



US00D928888S

(12) **United States Design Patent** (10) **Patent No.:** **US D928,888 S**
Muenzer (45) **Date of Patent:** **** Aug. 24, 2021**

(54) **TOY CONSTRUCTOR PIECE**
(71) Applicant: **RAVENSBURGER AG**, Ravensburg (DE)
(72) Inventor: **Ralph Muenzer**, Friedrichshafen (DE)
(73) Assignee: **RAVENSBURGER AG**, Ravensburg (DE)
(**) Term: **15 Years**
(21) Appl. No.: **29/719,606**
(22) Filed: **Jan. 6, 2020**

(52) **U.S. Cl.**
USPC **D21/456**
(58) **Field of Classification Search**
USPC D21/455, 456, 484, 485, 489, 491, D21/500-505

(Continued)

(56) **References Cited**

U.S. PATENT DOCUMENTS

3,343,793 A 9/1967 Waser
D257,267 S 10/1980 Long

(Continued)

OTHER PUBLICATIONS

Ravensburger North America, GraviTrax Trailer #1, published on YouTube.com on Feb. 17, 2018. Retrieved from the internet on Jun. 15, 2021 <URL: <https://youtu.be/sCsednIdXF8>> (Year: 2018).*

(Continued)

Related U.S. Application Data

(63) Continuation-in-part of application No. 35/506,168, filed on Jul. 9, 2018 (U.S. filing date under 35 U.S.C. (Continued)

Foreign Application Priority Data

(30) Jan. 17, 2018 (EM) 004667988-0001
Jan. 17, 2018 (EM) 004667988-0002
Jan. 17, 2018 (EM) 004667988-0003
Jan. 17, 2018 (EM) 004667988-0004
Jan. 17, 2018 (EM) 004667988-0005
Jan. 17, 2018 (EM) 004667988-0006
Jan. 17, 2018 (EM) 004667988-0007
Jan. 17, 2018 (EM) 004667988-0008
Jan. 17, 2018 (EM) 004667988-0009
Jan. 17, 2018 (EM) 004667988-0010
Jan. 17, 2018 (EM) 004667988-0011
Jan. 17, 2018 (EM) 004667988-0012
Jan. 17, 2018 (EM) 004667988-0013
Jan. 17, 2018 (EM) 004667988-0014
Jan. 17, 2018 (EM) 004667988-0015
Jan. 17, 2018 (EM) 004667988-0016

(Continued)

Primary Examiner — George D. Kirschbaum
Assistant Examiner — Joseph J Kukella
(74) *Attorney, Agent, or Firm* — Lewis Rice LLC

(57) **CLAIM**

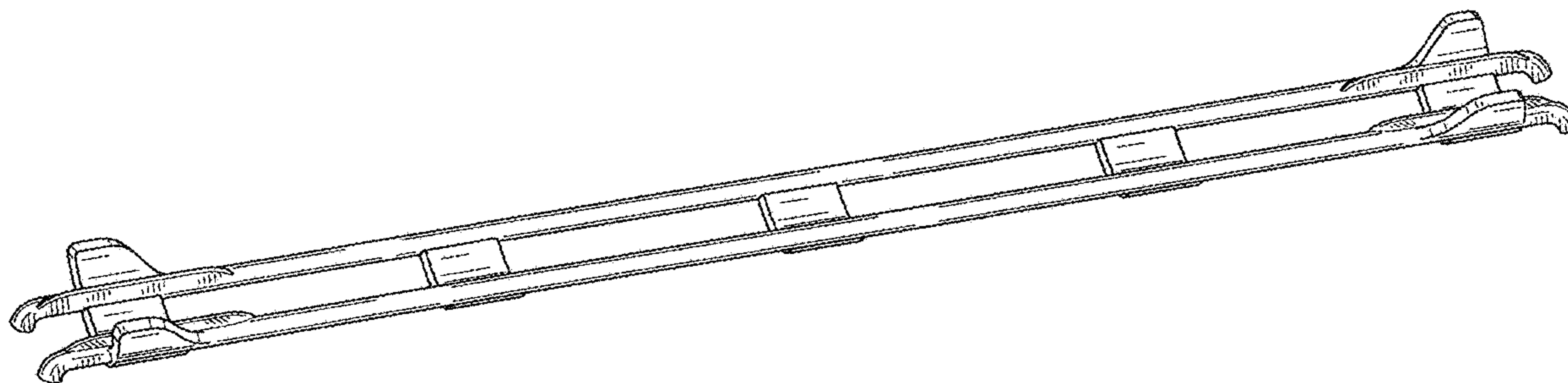
The ornamental design for a toy constructor piece, as shown and described.

DESCRIPTION

FIG. 1 provides a side perspective view of a toy constructor piece.
FIG. 2 provides a right side view of a toy constructor piece, the left side view being a mirror image thereof.
FIG. 3 provides a top view of a toy constructor piece.
FIG. 4 provides a bottom view of a toy constructor piece; and,
FIG. 5 provides a front view of a toy constructor piece, the back view being a mirror image thereof.

(51) **LOC (13) Cl.** **21-01**

1 Claim, 4 Drawing Sheets



US D928,888 S

Page 2

Related U.S. Application Data

384), and having an international filing date of Jul. 9, 2018, now Pat. No. Des. 891,525.

(30) Foreign Application Priority Data

Jan. 17, 2018 (EM) 004667988-0017
Jan. 17, 2018 (EM) 004667988-0018

(58) Field of Classification Search

CPC . A63F 7/36; A63F 7/3622; A63H 33/04-088;
A63H 18/00; A63H 18/02; A63H 18/023;
A63H 18/026; A63H 18/028

See application file for complete search history.

(56) References Cited

U.S. PATENT DOCUMENTS

D257,268 S 10/1980 Long
D263,403 S 3/1982 Chen
4,381,834 A * 5/1983 Leinenger B65G 11/183
193/2 A
4,418,813 A * 12/1983 Leinenger B65G 11/183
193/2 R
5,344,143 A 9/1994 Yule
5,451,177 A 9/1995 Gilman
5,709,581 A 1/1998 Rothbarth et al.
6,945,839 B2 * 9/2005 Quercetti A63H 18/06
104/123

D517,618 S 3/2006 Lantero
D644,697 S * 9/2011 Mimlitch, III B65G 11/183
D21/565
D715,377 S 10/2014 Cunningham
9,120,028 B2 * 9/2015 Wilson A63H 19/34
D773,563 S 12/2016 Kiribuchi
D773,564 S 12/2016 Kiribuchi
D790,638 S 6/2017 Kuo
D809,987 S 2/2018 Angel
D809,988 S 2/2018 Angel
10,035,075 B2 * 7/2018 Chantrell A63H 19/36
D829,829 S 10/2018 Barwald et al.
D832,365 S 10/2018 Williams et al.
10,092,848 B2 * 10/2018 Cai A63H 18/02
D833,541 S 11/2018 Barwald et al.
D851,180 S 6/2019 Pihl
D856,431 S 8/2019 Kipling
10,576,388 B2 * 3/2020 Briggs A63B 9/00
10,603,599 B2 * 3/2020 Cheung A63H 29/22
10,603,600 B2 * 3/2020 Farrell A63H 18/02
2007/0060012 A1 3/2007 Comfort
2020/0254329 A1 * 8/2020 Hodek A63F 7/3622

OTHER PUBLICATIONS

Ravensburg North America, How to use the Gravitrax Magnetic Cannon Accessory, published via YouTube.com on Aug. 20, 2019. Retrieved on Nov. 12, 2019. <URL: <https://www.youtube.com/watch?v=DYJGq3bO6x0&t=>> (Year: 2019), 1-page.

* cited by examiner

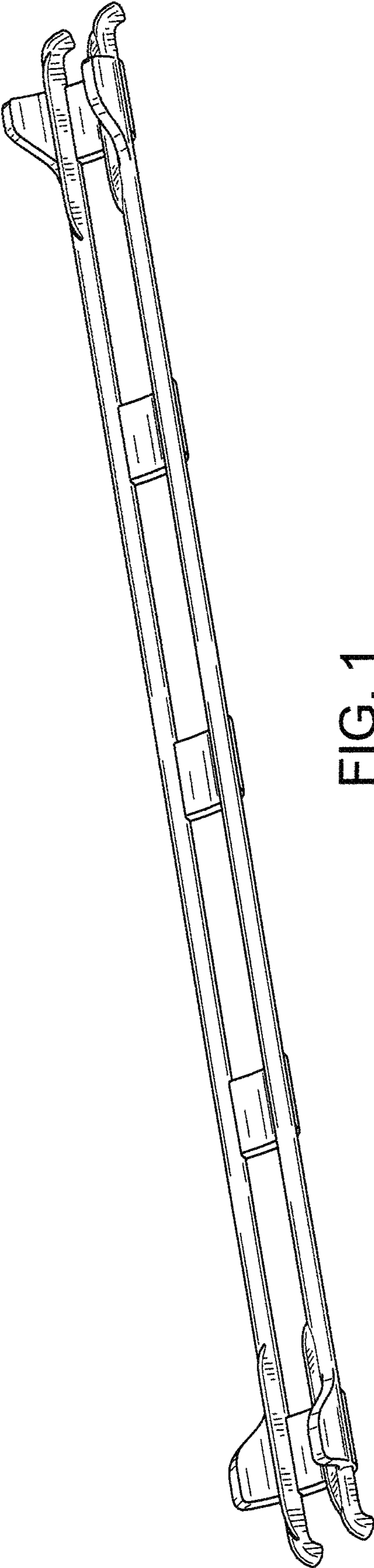


FIG. 1

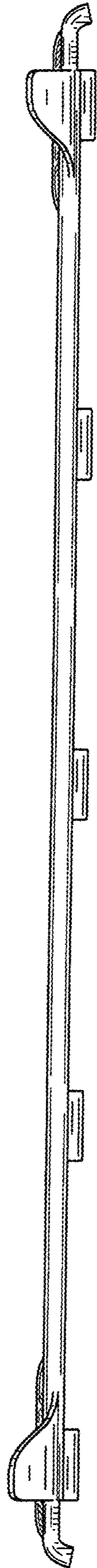


FIG. 2

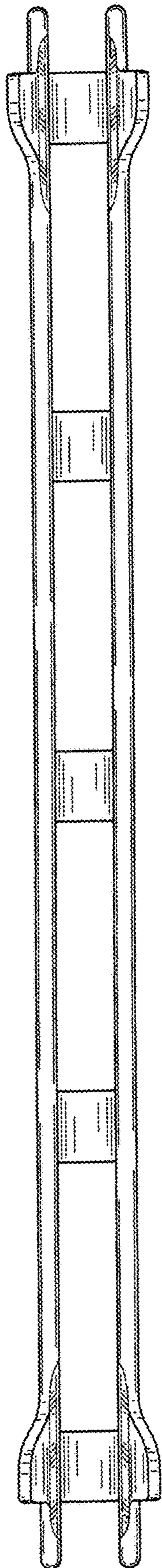


FIG. 3

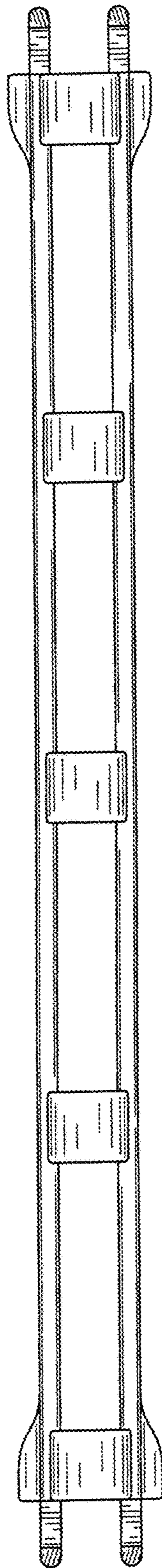


FIG. 4

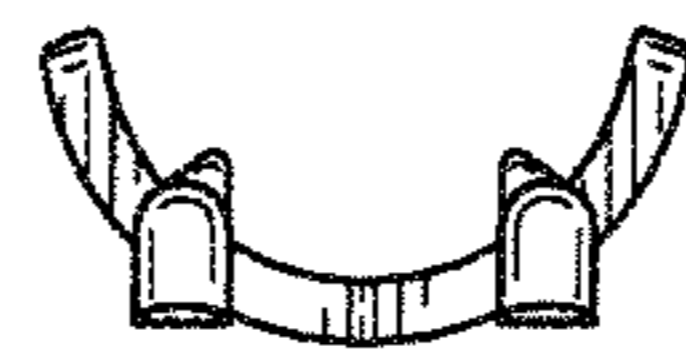


FIG. 5