



US00D928884S

(12) **United States Design Patent**  
**Zhou**

(10) **Patent No.:** **US D928,884 S**

(45) **Date of Patent:** **\*\* Aug. 24, 2021**

(54) **GAMEPAD**

(71) Applicant: **SHENZHEN CHT TECHNOLOGY CO., LTD**, Shenzhen (CN)

(72) Inventor: **Zejun Zhou**, Shenzhen (CN)

(73) Assignee: **SHENZHEN CHT TECHNOLOGY CO., LTD**, Shenzhen (CN)

(\*\*) Term: **15 Years**

(21) Appl. No.: **29/731,535**

(22) Filed: **Apr. 15, 2020**

(30) **Foreign Application Priority Data**

Dec. 11, 2019 (CN) ..... 201930692032.6

(51) **LOC (13) Cl.** ..... **21-01**

(52) **U.S. Cl.**  
USPC ..... **D21/333**

(58) **Field of Classification Search**

USPC ..... D21/324, 332-337, 566, 572-574, 328;  
D14/217, 218, 356, 387, 388, 389, 400,  
D14/401, 415, 418, 426-431, 443, 447,  
D14/449, 450, 454, 455, 471, 474, 483,  
D14/496, 511; D13/164, 168  
CPC ..... A63F 13/00; A63F 13/98; A63F 13/24;  
A63F 9/0291; A63F 9/00; A63F 9/02;  
A63F 9/24; A63F 2300/00; A63F  
2300/1031

See application file for complete search history.

(56) **References Cited**

**U.S. PATENT DOCUMENTS**

D620,939 S \* 8/2010 Suetake ..... D14/401  
D706,874 S \* 6/2014 Ngoy ..... D21/329

D712,970 S \* 9/2014 Biheller ..... D21/330  
D723,625 S \* 3/2015 Wikel ..... D21/333  
D737,273 S \* 8/2015 Schoenith ..... D14/401  
D776,763 S \* 1/2017 Schoenith ..... D21/333  
D810,202 S \* 2/2018 Foster ..... D21/333  
D819,642 S \* 6/2018 Ehara ..... D14/401  
D863,448 S \* 10/2019 Ehara ..... D21/333  
D870,207 S \* 12/2019 Ali ..... D21/333  
D875,180 S \* 2/2020 Wang ..... D21/333  
D875,836 S \* 2/2020 Ehara ..... D21/333  
D876,550 S \* 2/2020 Ehara ..... D21/333  
D878,474 S \* 3/2020 Ehara ..... D21/333  
D882,693 S \* 4/2020 Ehara ..... D21/333  
2015/0273325 A1 \* 10/2015 Falc ..... A63F 13/98  
463/37

\* cited by examiner

*Primary Examiner* — Kevin K Rudzinski

*Assistant Examiner* — Mehri Bajoul

(57) **CLAIM**

The ornamental design for a gamepad, as shown and described.

**DESCRIPTION**

FIG. 1 is a perspective view of a gamepad showing my new design;

FIG. 2 is another perspective view thereof;

FIG. 3 is a front elevational view thereof;

FIG. 4 is a rear elevational view thereof;

FIG. 5 is a left side elevational view thereof;

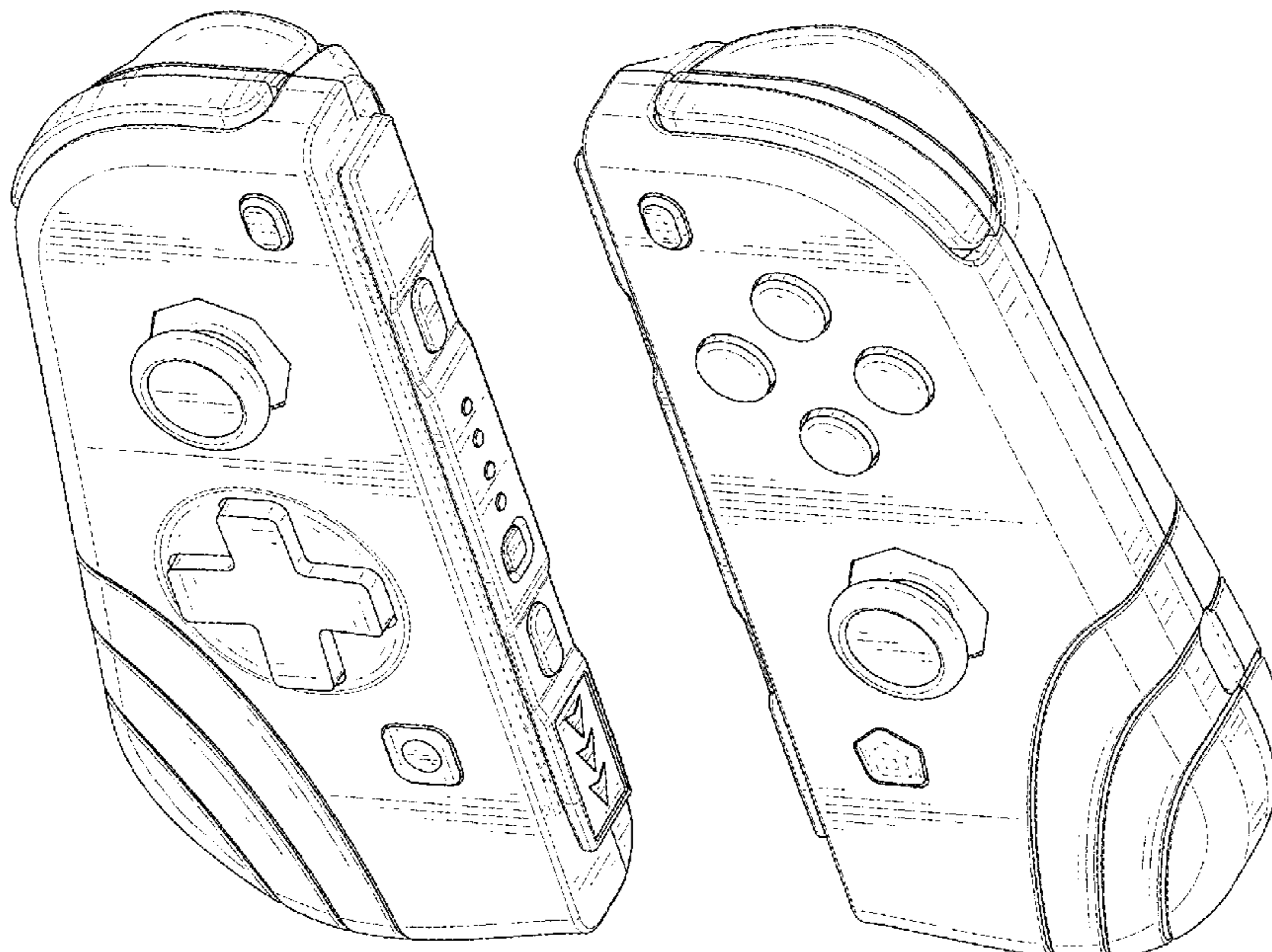
FIG. 6 is a right side elevational view thereof;

FIG. 7 is a top plan view thereof; and,

FIG. 8 is a bottom plan view thereof.

The broken lines in the drawings depict portions of the gamepad that form no part of the claimed design.

**1 Claim, 8 Drawing Sheets**



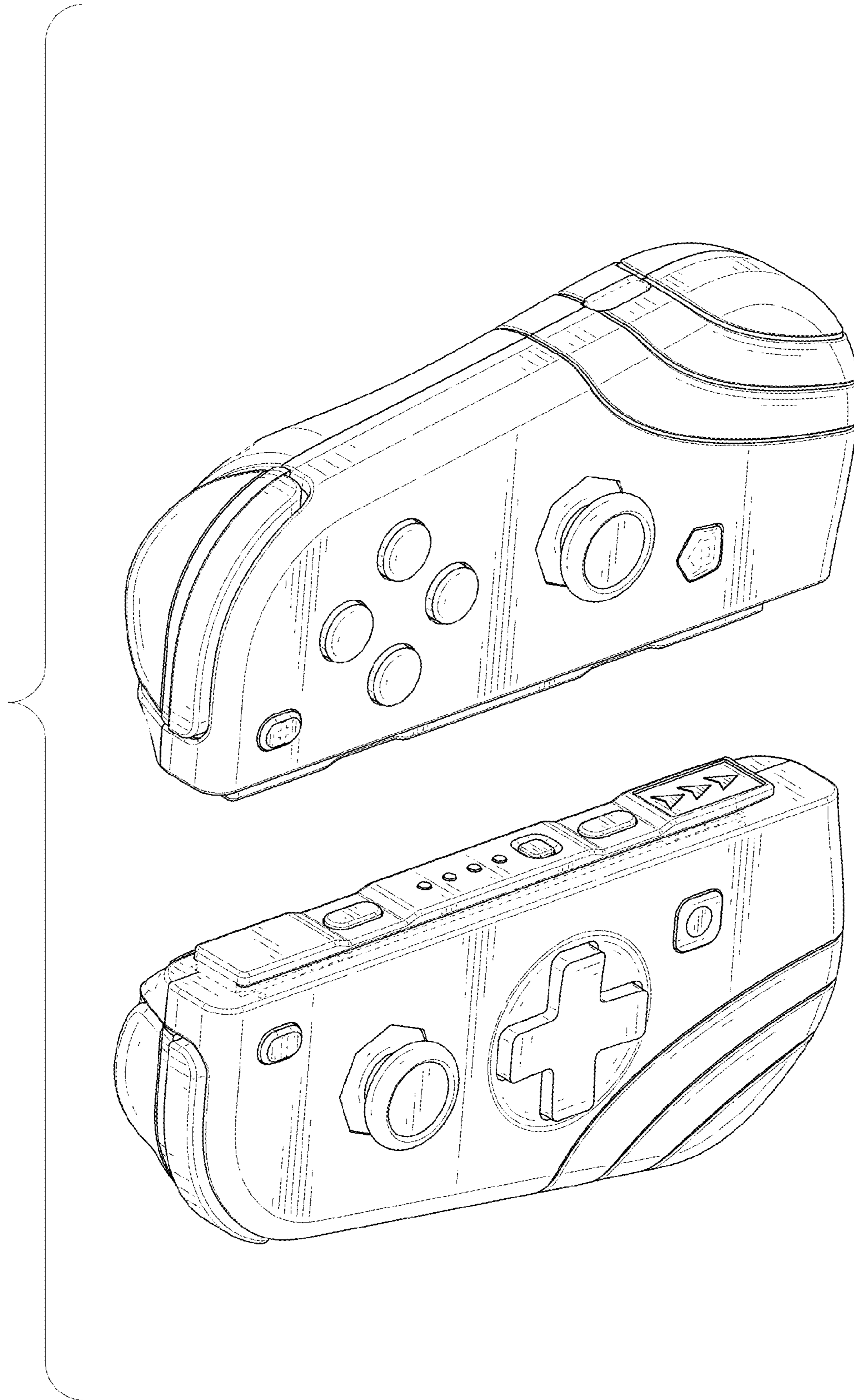


FIG. 1

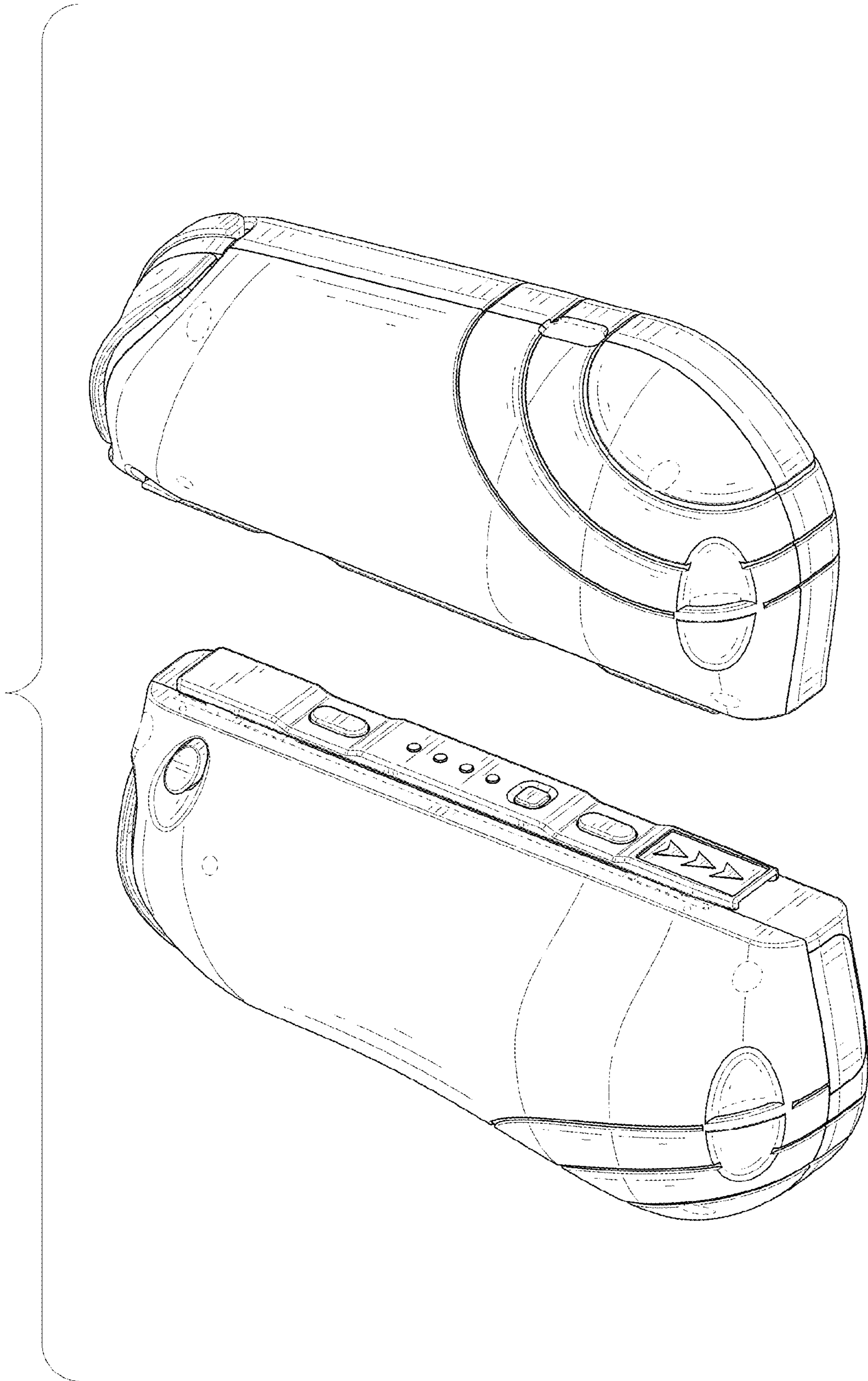


FIG. 2

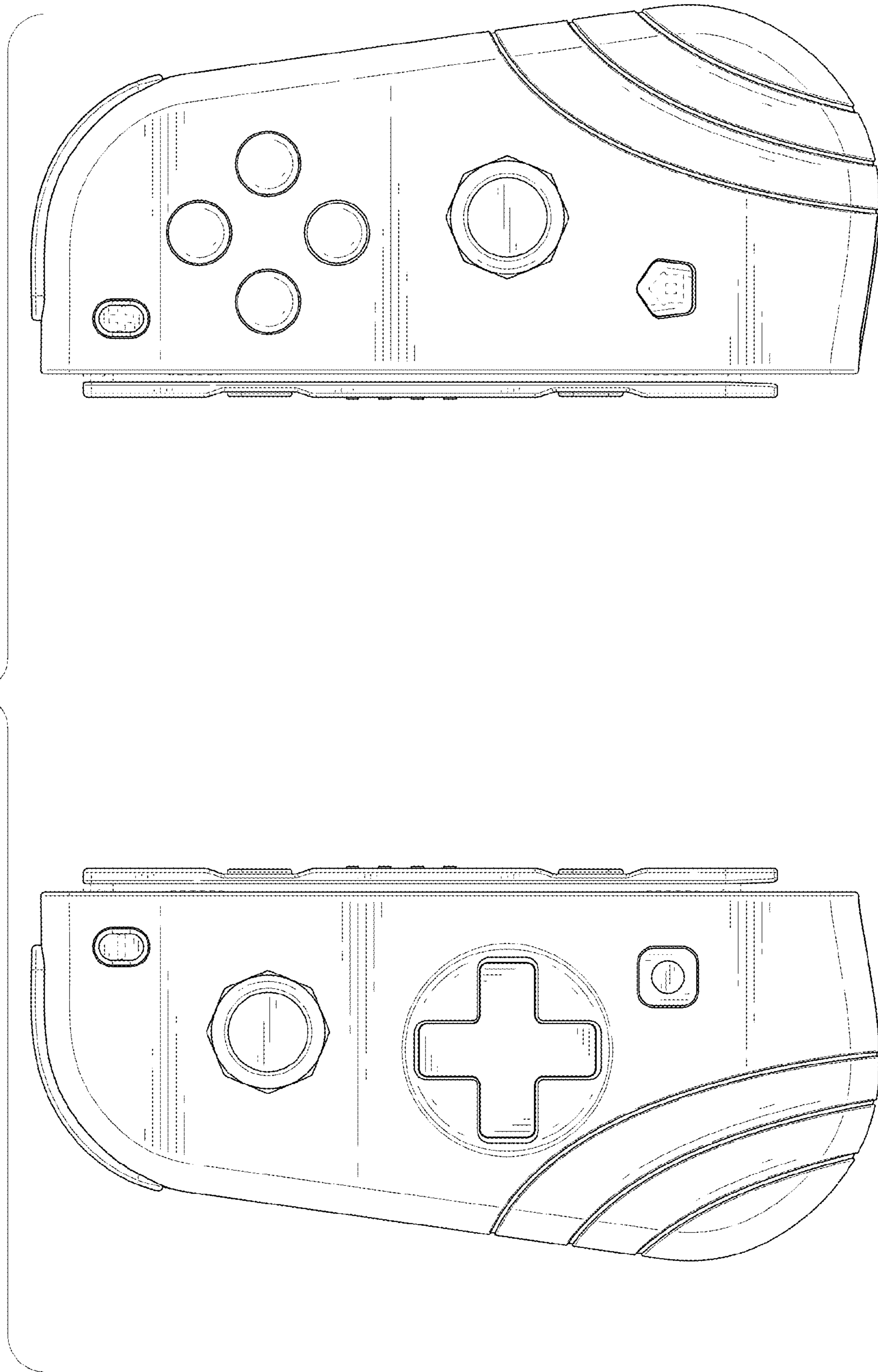


FIG. 3

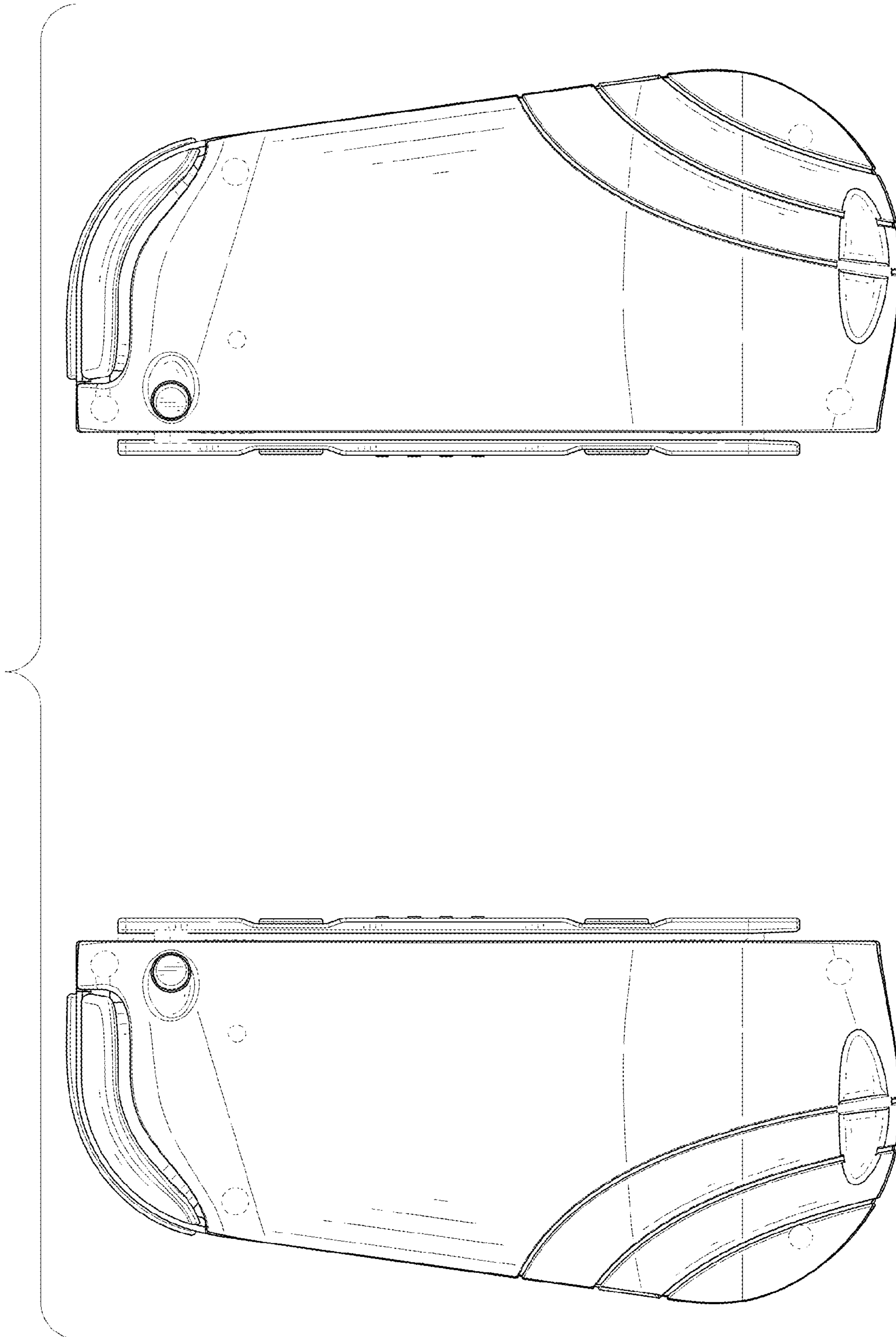


FIG. 4

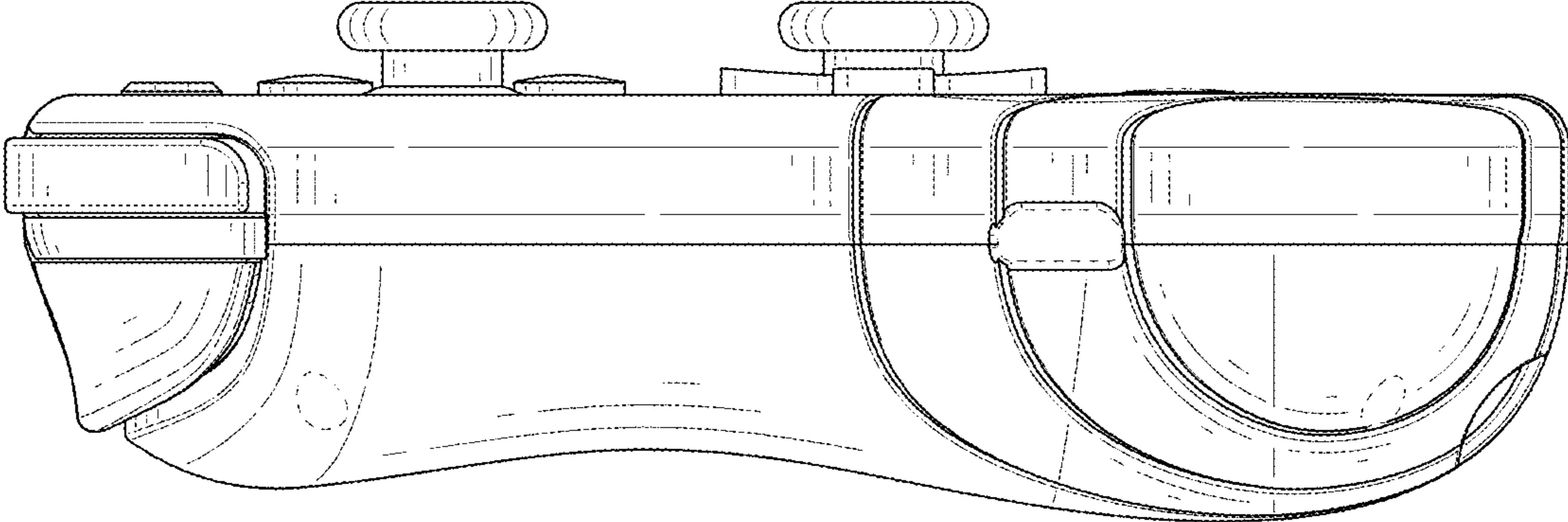


FIG. 5

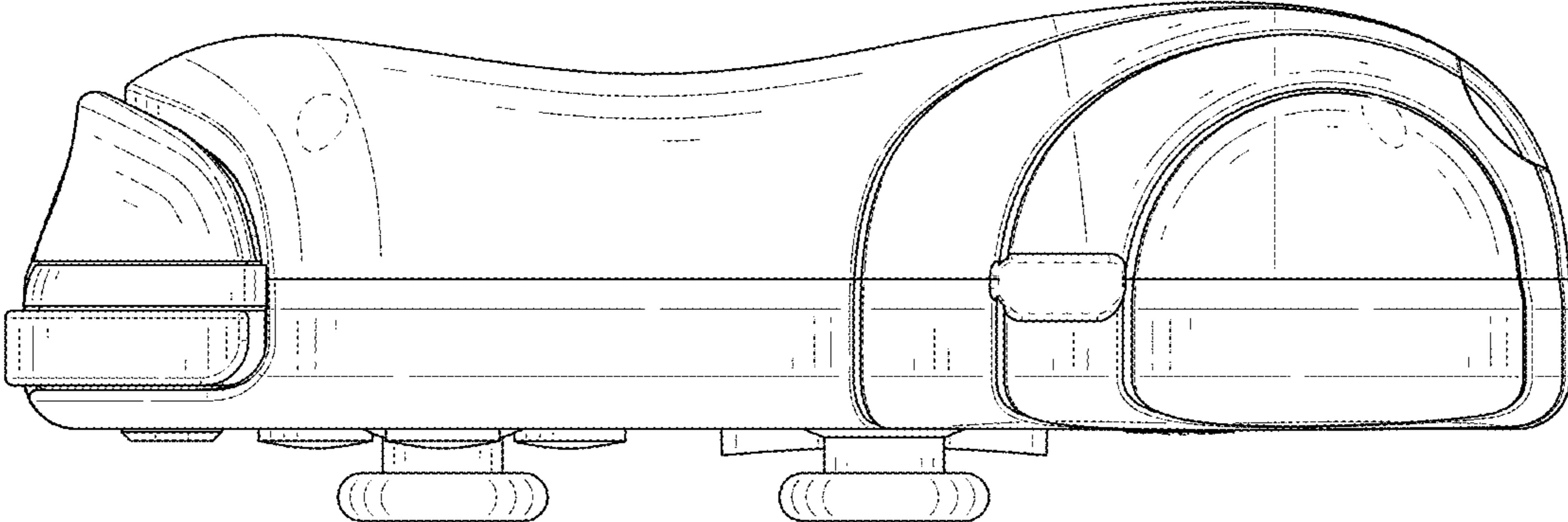


FIG. 6

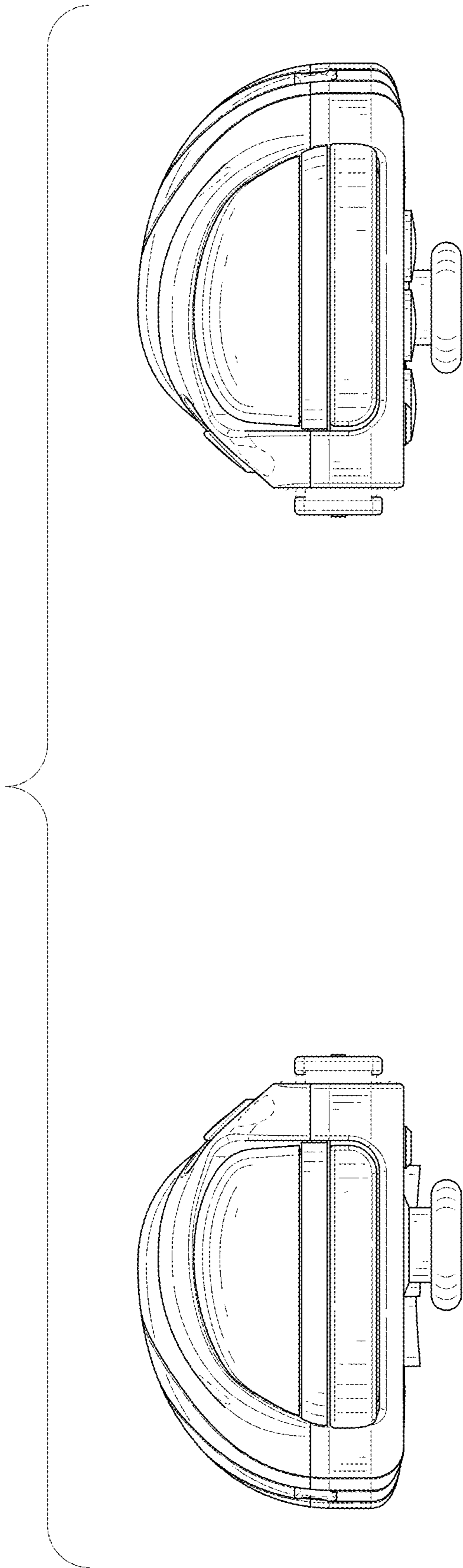


FIG. 7



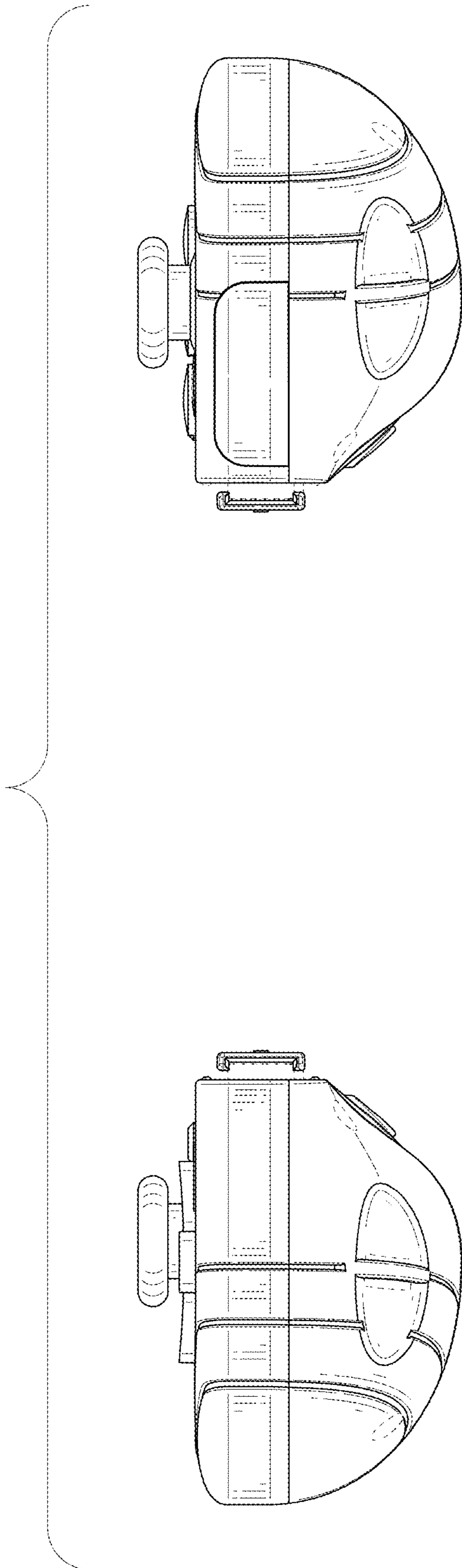


FIG. 8