



US00D928880S

(12) **United States Design Patent**
Yu

(10) **Patent No.:** **US D928,880 S**

(45) **Date of Patent:** **** Aug. 24, 2021**

(54) **GAME CONTROLLER**

(71) Applicant: **Hongyong Yu**, Anhui (CN)

(72) Inventor: **Hongyong Yu**, Anhui (CN)

(73) Assignee: **SHENZHEN GULI Technology Co., Ltd.**, Shenzhen (CN)

(**) Term: **15 Years**

(21) Appl. No.: **29/684,080**

(22) Filed: **Mar. 18, 2019**

(51) **LOC (13) Cl.** **21-01**

(52) **U.S. Cl.**
USPC **D21/333**

(58) **Field of Classification Search**
USPC D21/324, 333; D14/160, 137, 138, 168,
D14/174, 217, 218, 356, 387, 388, 389,
D14/399-401, 412-416, 443, 449, 450,
D14/454, 471, 474, 483, 496, 511;
D13/164-168; D12/174, 177, 190, 218
CPC A63F 13/24; A63F 13/02; A63F 13/06;
A63F 13/98; A63F 9/00; A63F 9/24;
A63F 11/00; H04N 21/00; H04N 7/14;
G06F 1/1666; G06F 17/00; G06F 19/00;
C09J 7/38

See application file for complete search history.

(56) **References Cited**

U.S. PATENT DOCUMENTS

D581,422 S * 11/2008 Hayes D14/401
D715,865 S * 10/2014 Morris D21/333

D765,788 S * 9/2016 Kujawski D21/333
D770,568 S * 11/2016 Kujawski D21/333
D794,129 S * 8/2017 Kujawski D21/333
D799,599 S * 10/2017 Kujawski D21/333
D847,265 S * 4/2019 Chatterjee D21/333
D863,447 S * 10/2019 Tsuchiya D21/333
D867,460 S * 11/2019 Yan D21/333
D872,184 S * 1/2020 Chatterjee D21/333
D882,691 S * 4/2020 Tsuchiya D21/333

* cited by examiner

Primary Examiner — Sandra Snapp

Assistant Examiner — Mehri Bajoul

(57) **CLAIM**

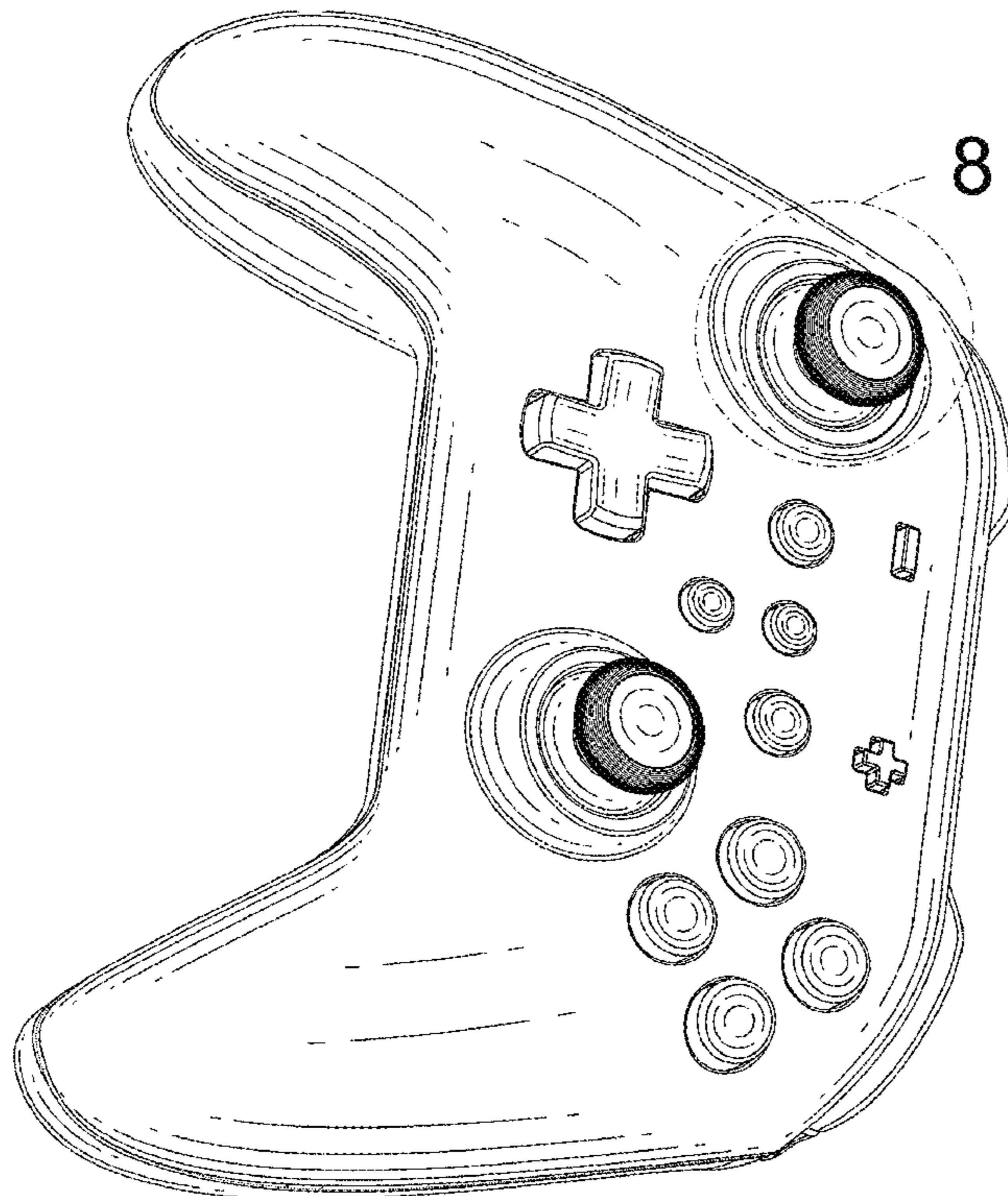
The ornamental design for a game controller, as shown and described.

DESCRIPTION

FIG. 1 is a perspective view of a game controller showing my new design;
FIG. 2 is a top plan view thereof;
FIG. 3 is a rear elevational view thereof;
FIG. 4 is a bottom plan view thereof;
FIG. 5 is a left side view thereof;
FIG. 6 is a front elevational view thereof; and
FIG. 7 is a right side view thereof; and
FIG. 8 is an enlarged detail view of the designated region in FIG. 1.

The broken lines illustrate portions of the game controller that form no part of the claimed design.

1 Claim, 8 Drawing Sheets



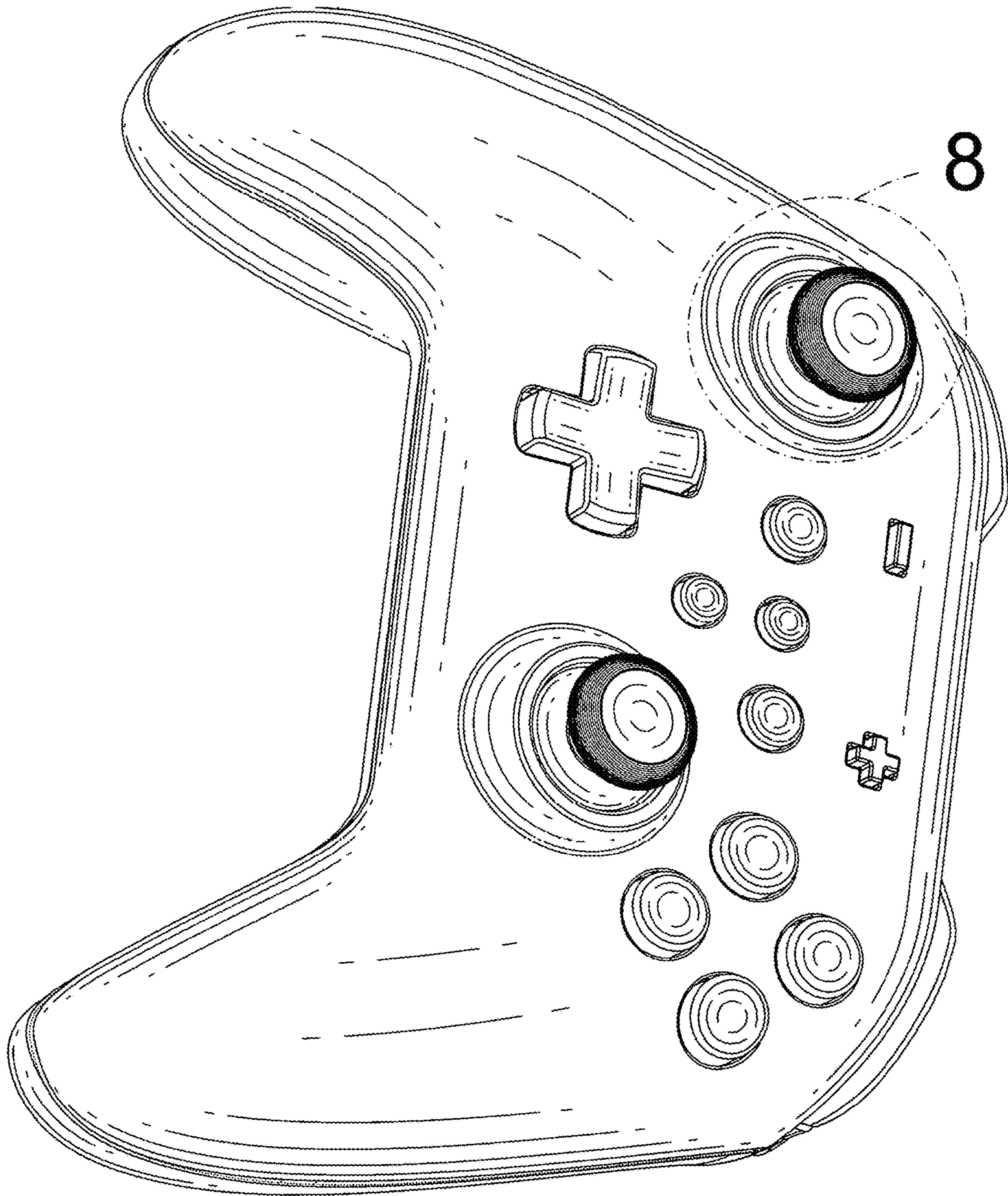


FIG. 1

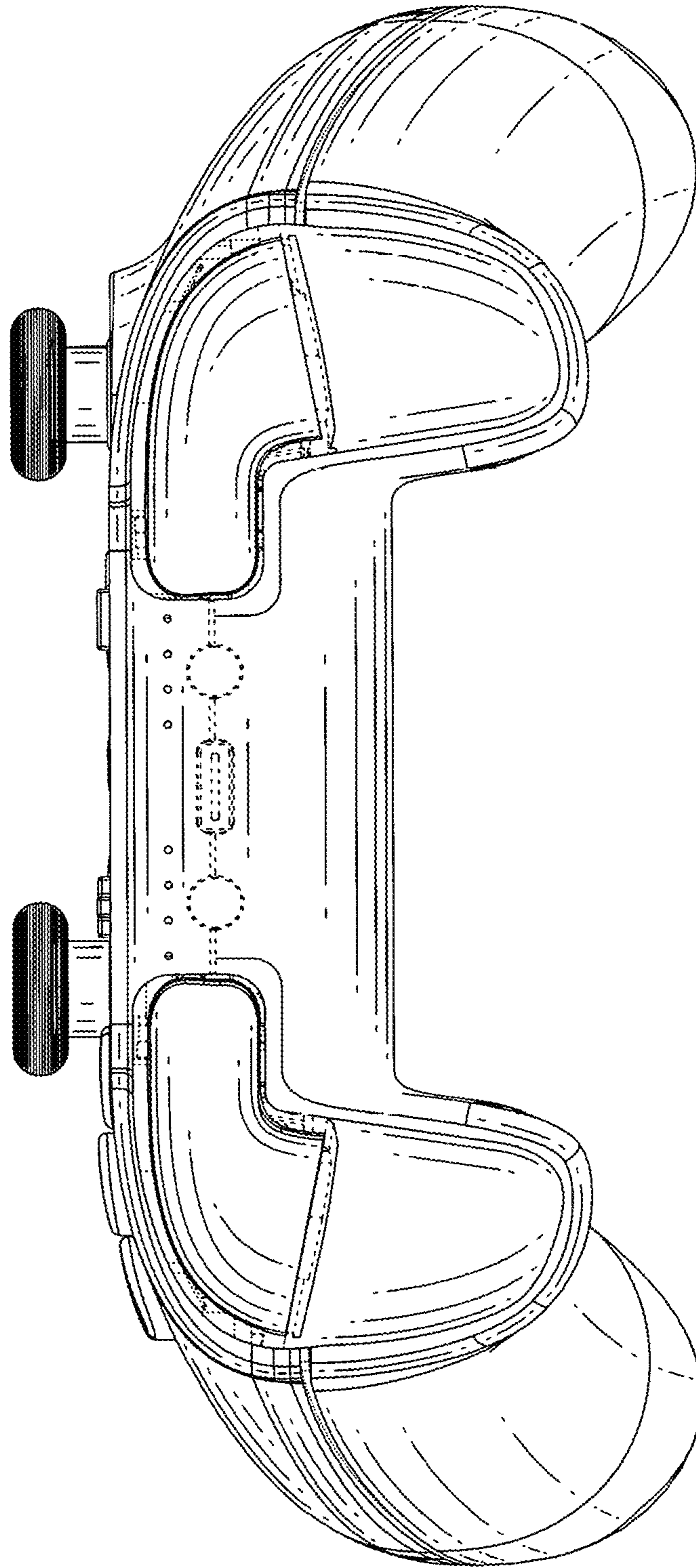


FIG. 2

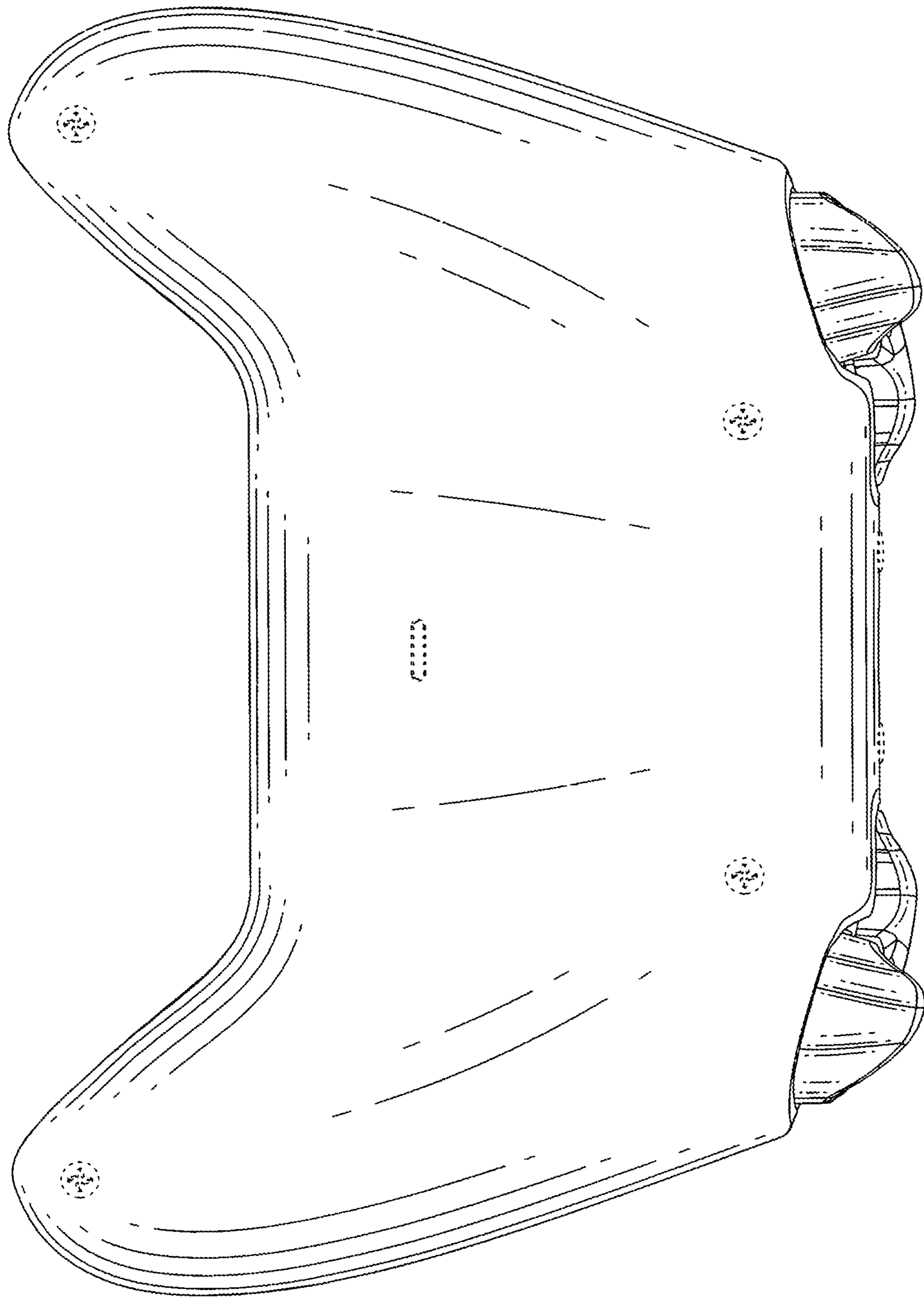


FIG. 3

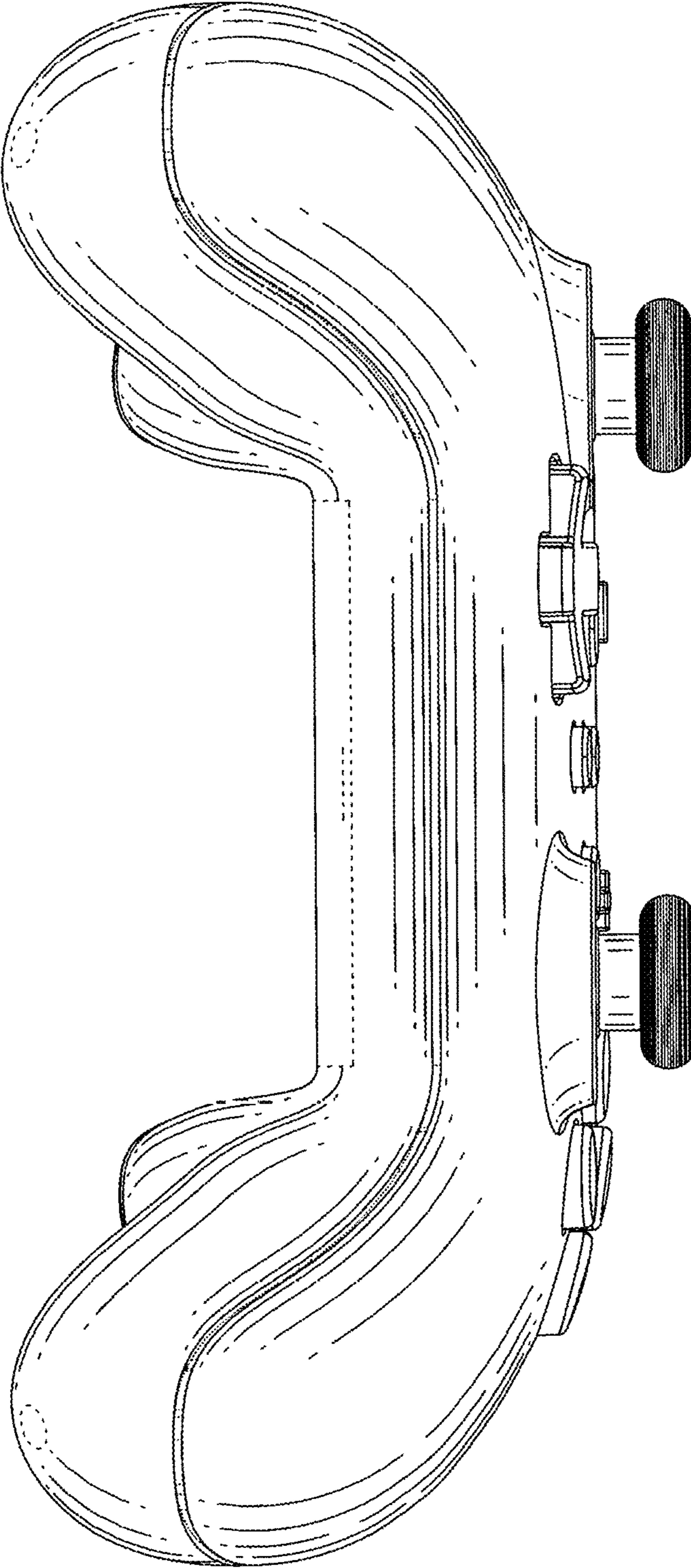


FIG. 4

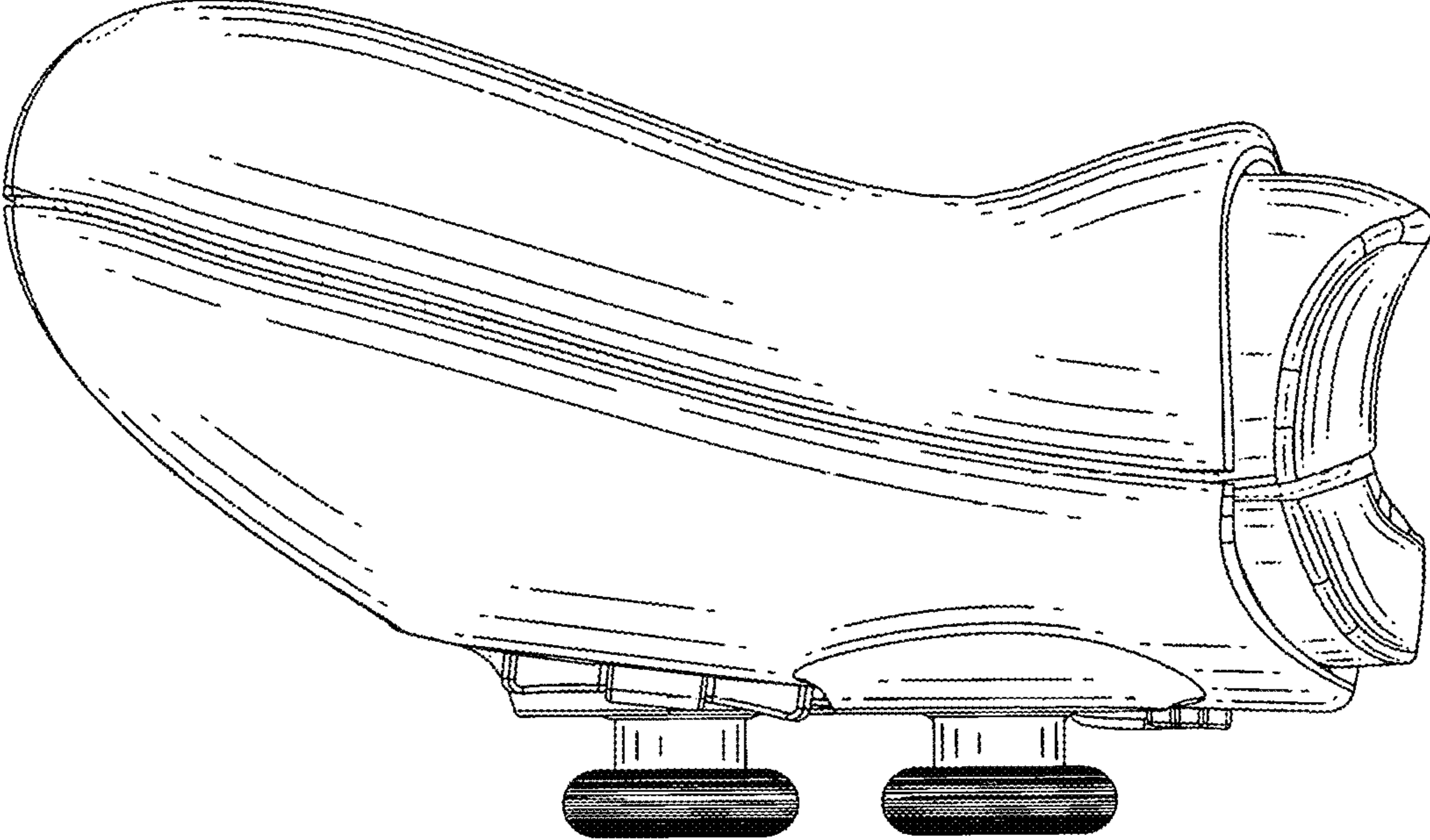


FIG. 5

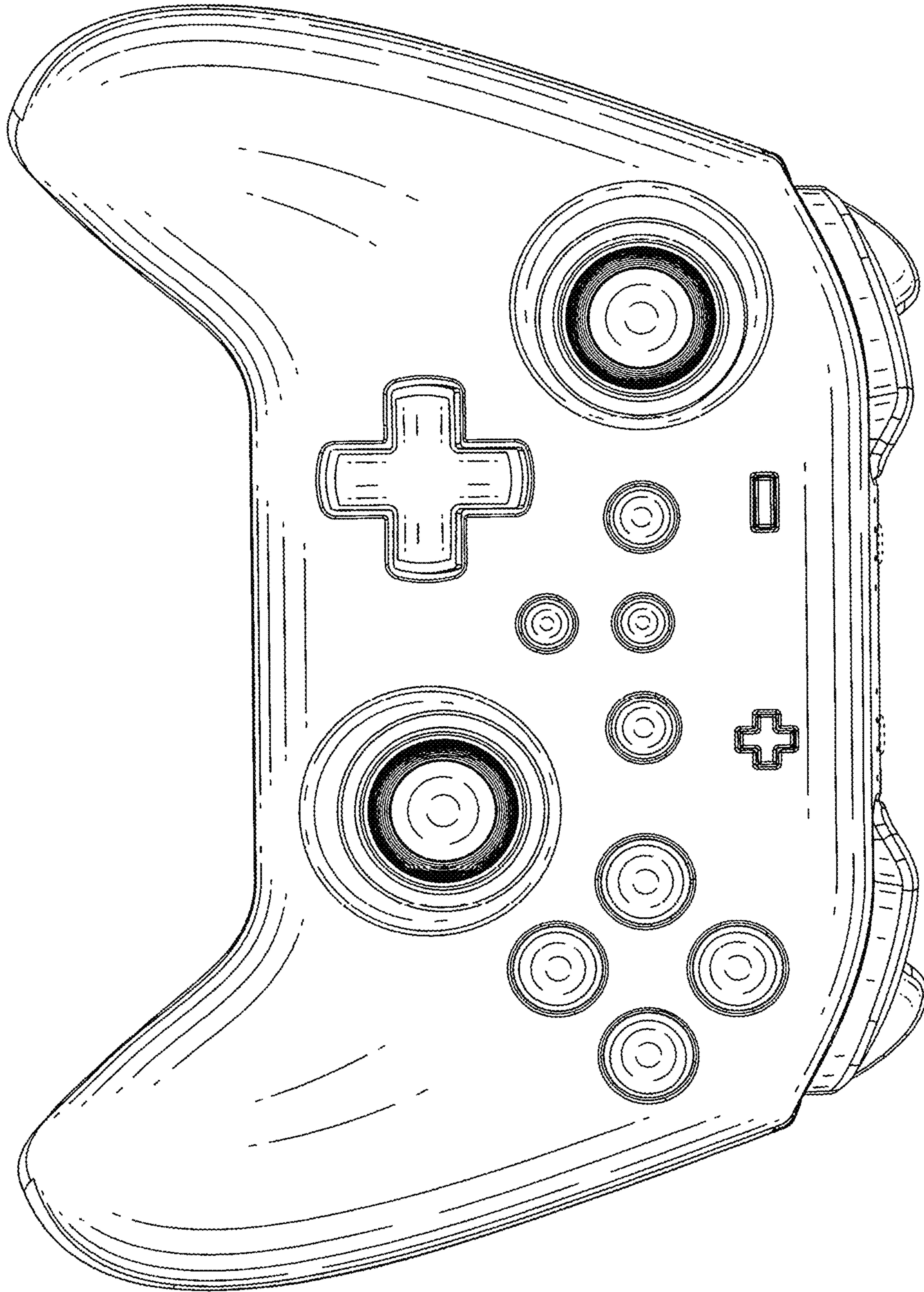


FIG. 6

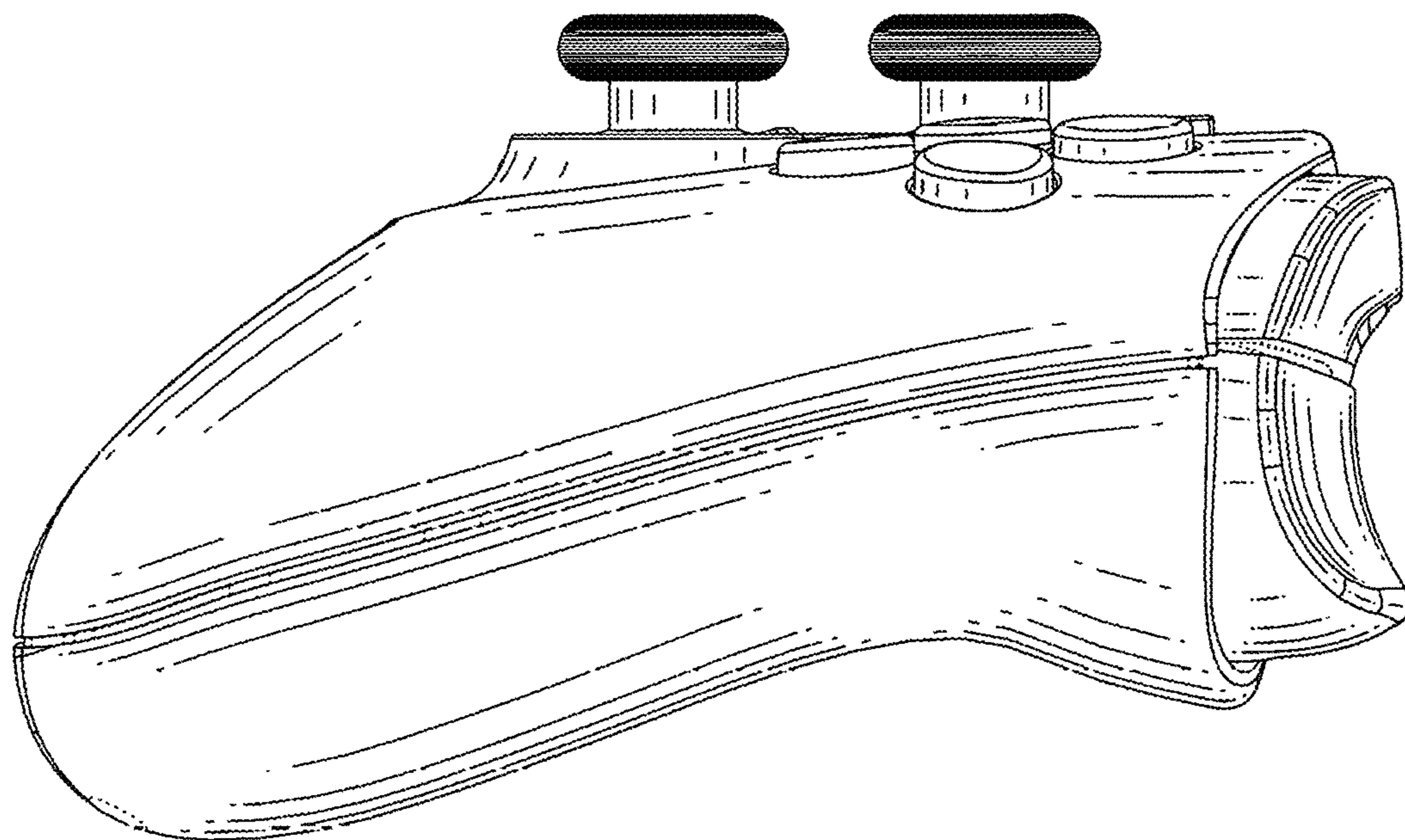


FIG. 7

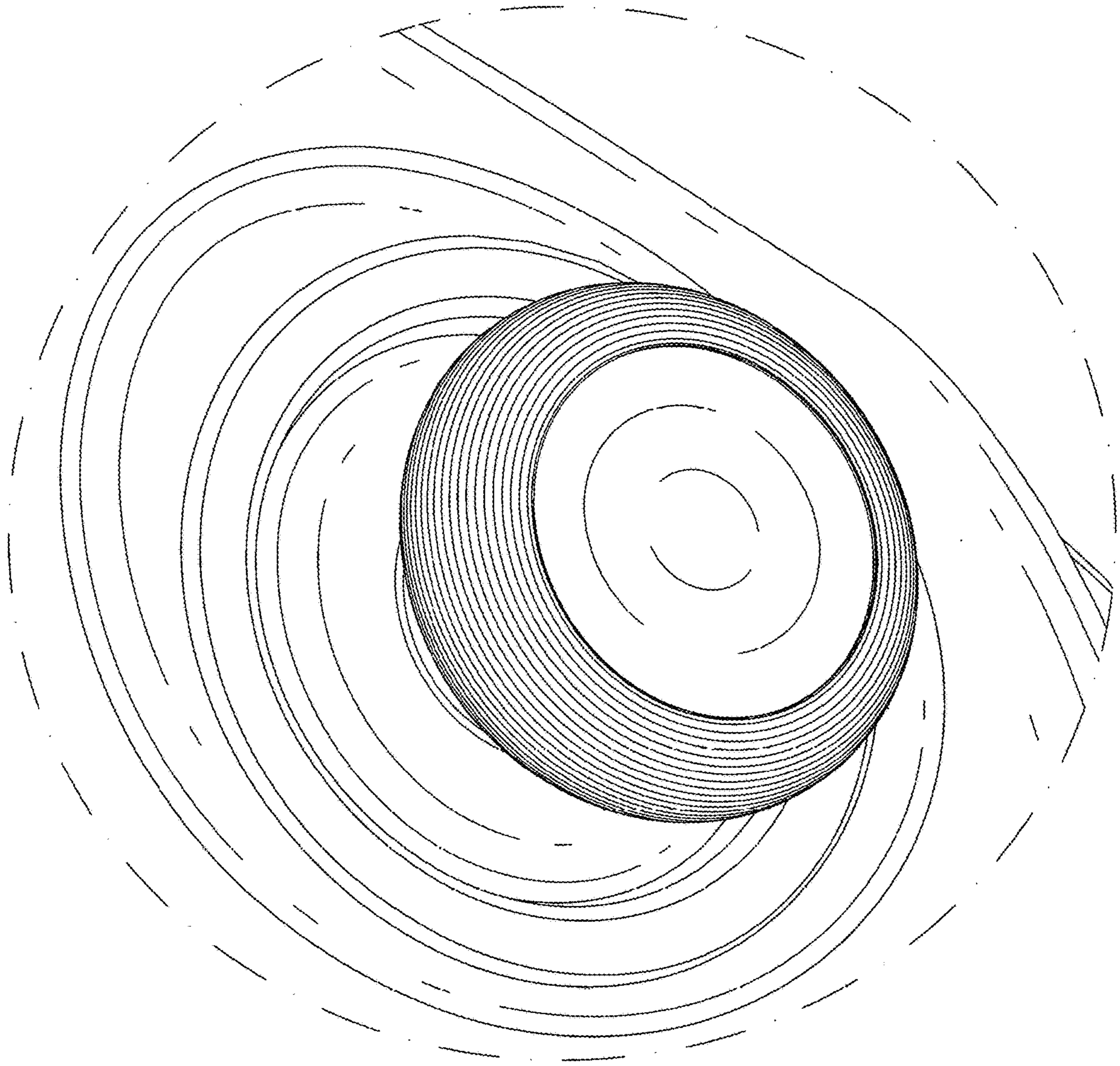


FIG. 8