



US00D928878S

(12) **United States Design Patent** (10) **Patent No.:** **US D928,878 S**
Straub et al. (45) **Date of Patent:** **** Aug. 24, 2021**

(54) **LOGO FOR A CONSUMER PRODUCT**

(71) Applicant: **DRIV IP, LLC**, Lake Forest, IL (US)
(72) Inventors: **Janson H. Straub**, Chicago, IL (US);
Robert L. Liebscher, Port Washington, WI (US)
(73) Assignee: **DRIV IP, LLC**, Lake Forest, IL (US)
(**) Term: **15 Years**

(21) Appl. No.: **29/678,991**

(22) Filed: **Jan. 31, 2019**

(51) **LOC (13) Cl.** **19-08**

(52) **U.S. Cl.**
USPC **D20/28; D9/434**

(58) **Field of Classification Search**

USPC D9/414-423, 430-433, 434, 456, 457,
D9/600, 652, 667, 711, 713, 721-722,
(Continued)

(56) **References Cited**

U.S. PATENT DOCUMENTS

D554,499 S * 11/2007 Bone D9/434
D610,914 S * 3/2010 Taylor D9/600
(Continued)

OTHER PUBLICATIONS

Our History DRiV Incorporated. [online] Retrieved May 11, 2020
from URL: <https://www.driv.com/our-company/our-history.html>.*

Primary Examiner — Vy N Koenig

(74) *Attorney, Agent, or Firm* — Finnegan, Henderson,
Farabow, Garrett & Dunner, LLP

(57) **CLAIM**

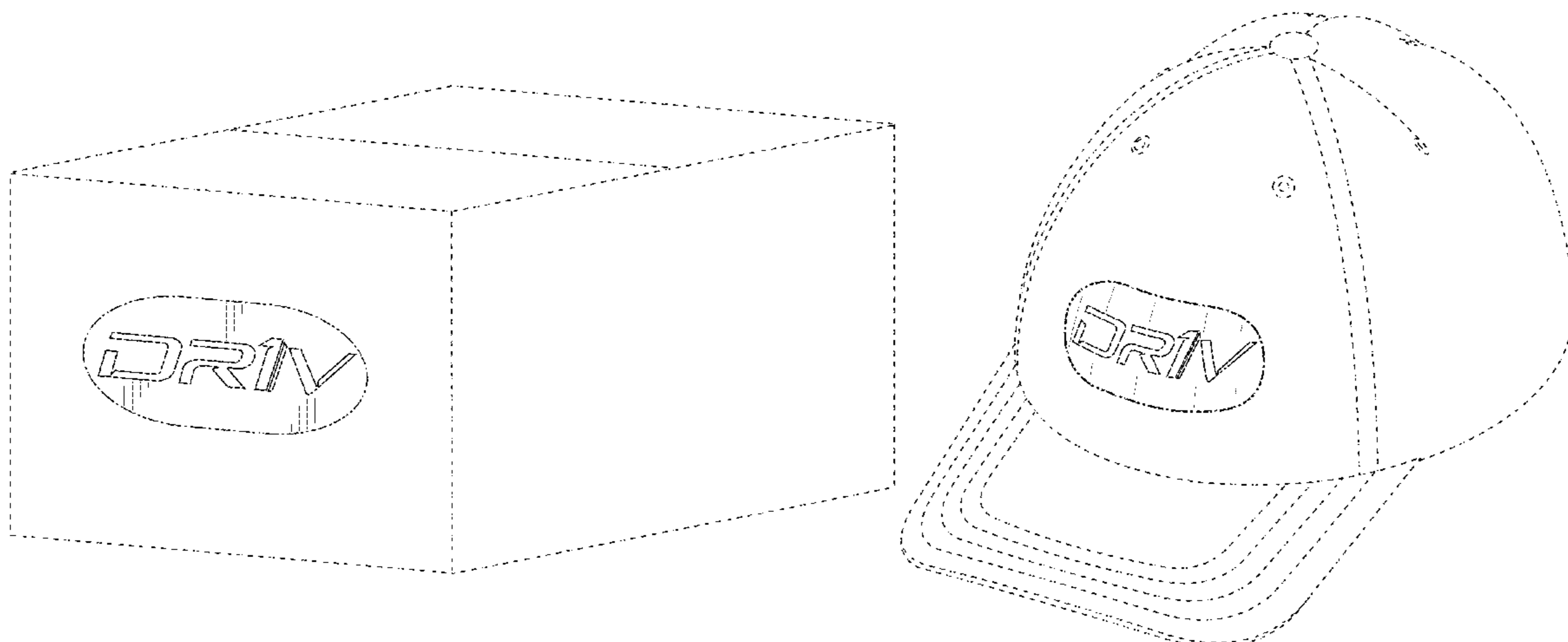
The ornamental design for a logo for a consumer product, as
shown and described.

DESCRIPTION

FIG. 1 is a front, right perspective view of a logo for a
consumer product showing our new design;

FIG. 2 is a front elevation view thereof;
FIG. 3 is a rear view thereof;
FIG. 4 is a right side view thereof;
FIG. 5 is a left side view thereof;
FIG. 6 is a top plan view thereof;
FIG. 7 is a bottom plan view thereof;
FIG. 8 is a front, right perspective view as used on a hat;
FIG. 9 is a front elevation view thereof;
FIG. 10 is a rear view thereof;
FIG. 11 is a right side view thereof;
FIG. 12 is a left side view thereof;
FIG. 13 is a top plan view thereof;
FIG. 14 is a bottom plan view thereof;
FIG. 15 is a front, left perspective view as used on a trailer
truck;
FIG. 16 is a left side view thereof;
FIG. 17 is a right side view thereof;
FIG. 18 is a front elevation view thereof;
FIG. 19 is a rear elevation view thereof;
FIG. 20 is a top plan view thereof;
FIG. 21 is a bottom plan view thereof;
FIG. 22 is a front, right perspective view as used on a shirt;
FIG. 23 is a front elevation view thereof;
FIG. 24 is a rear view thereof;
FIG. 25 is a right side view thereof;
FIG. 26 is a left side view thereof;
FIG. 27 is a top plan view thereof;
FIG. 28 is a bottom plan view thereof;
FIG. 29 is a front, right perspective view as used on an
insulated cup;
FIG. 30 is a front elevation view thereof;
FIG. 31 is a rear view thereof;
FIG. 32 is a right side view thereof;
FIG. 33 is a left side view thereof;
FIG. 34 is a top plan view thereof;
FIG. 35 is a bottom plan view thereof;
FIG. 36 is a front, right perspective view as used on a car;
FIG. 37 is a front elevation view thereof;
FIG. 38 is a rear view thereof;
FIG. 39 is a left side view thereof;
FIG. 40 is a right side view thereof;
FIG. 41 is a top plan view thereof; and,
FIG. 42 is a bottom plan view thereof.

(Continued)



The broken dash-dash lines of even length illustrate the portions of the logo for a consumer product or depict environmental subject matter that form no part of the claimed design. The broken dash-dot lines of uneven length define the boundaries of the claim and the broken dash-dot lines themselves form no part of the claimed design.

1 Claim, 39 Drawing Sheets

(58) Field of Classification Search

USPC D9/737, 756, 758, 759, 760; D14/480,
D14/489, 490; D20/10, 22, 27, 40, 42,
D20/28

CPC ... B65D 5/00; B65D 5/02; B65D 5/18; B65D
5/20

See application file for complete search history.

(56) References Cited

U.S. PATENT DOCUMENTS

D612,234 S * 3/2010 Westemeyer D9/434

D612,260 S * 3/2010 Champion D9/600
 D612,261 S * 3/2010 Champion D9/600
 D613,156 S * 4/2010 Francis D9/434
 D614,650 S * 4/2010 Arnell D14/489
 D618,093 S * 6/2010 Arnell D9/434
 D649,045 S * 11/2011 Kopulos D9/434
 D655,157 S * 3/2012 Hablutzel D9/434
 D656,016 S * 3/2012 Hablutzel D9/434
 D656,837 S * 4/2012 Lanz D9/600
 D741,367 S * 10/2015 Bae D14/490
 D769,729 S * 10/2016 Kelly D9/652
 D777,781 S * 1/2017 Holt D14/490
 D783,396 S * 4/2017 Riffe D9/434
 D804,526 S * 12/2017 Chen D14/489
 D824,776 S * 8/2018 Zinovieff D9/600
 D862,223 S * 10/2019 Camper D9/434
 D862,240 S * 10/2019 Sims D9/600
 D875,541 S * 2/2020 Lowery D9/600
 D876,218 S * 2/2020 Thompson D9/432
 D880,293 S * 4/2020 Redding D9/432
 D883,088 S * 5/2020 Riffe D9/434

* cited by examiner

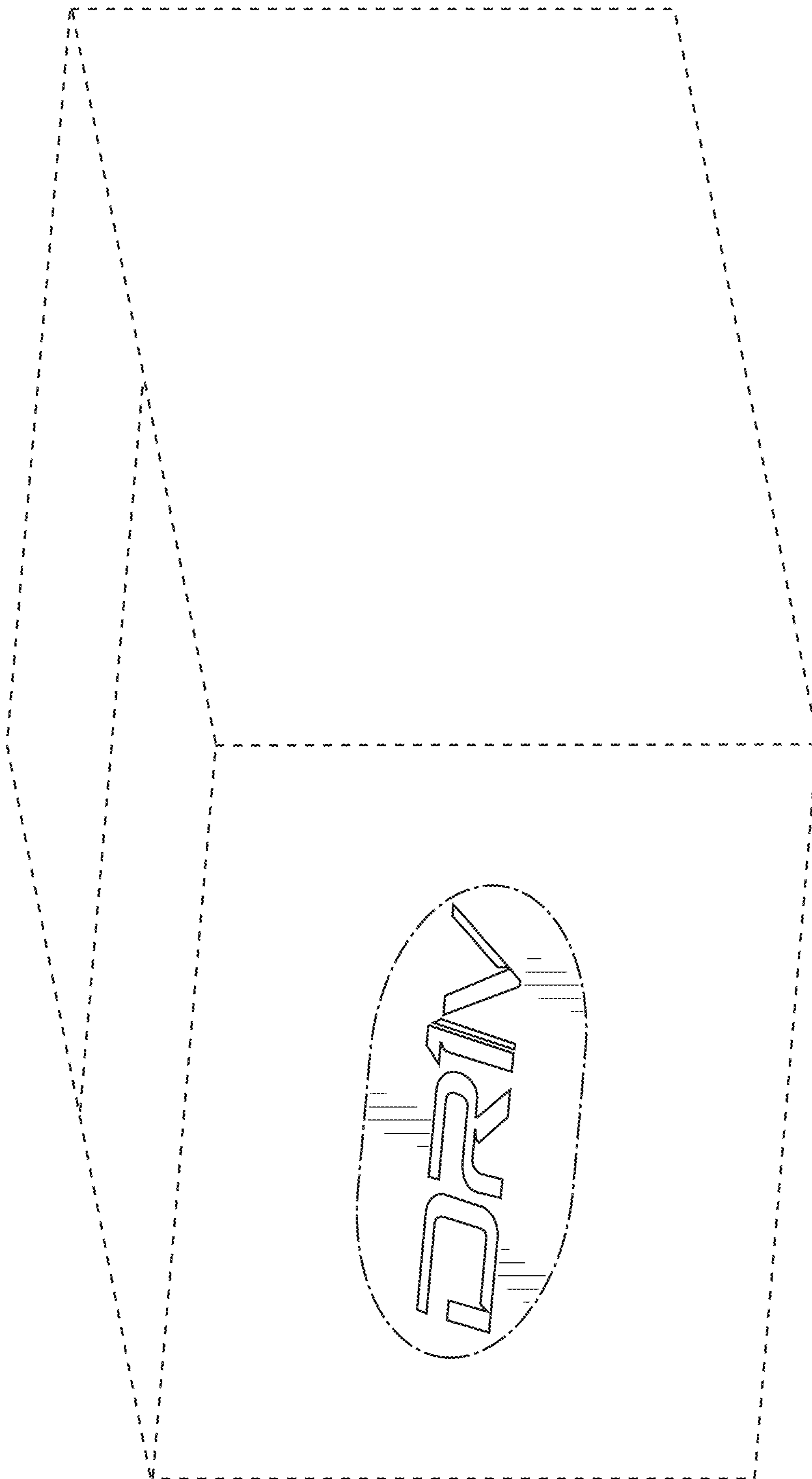


FIG. 1

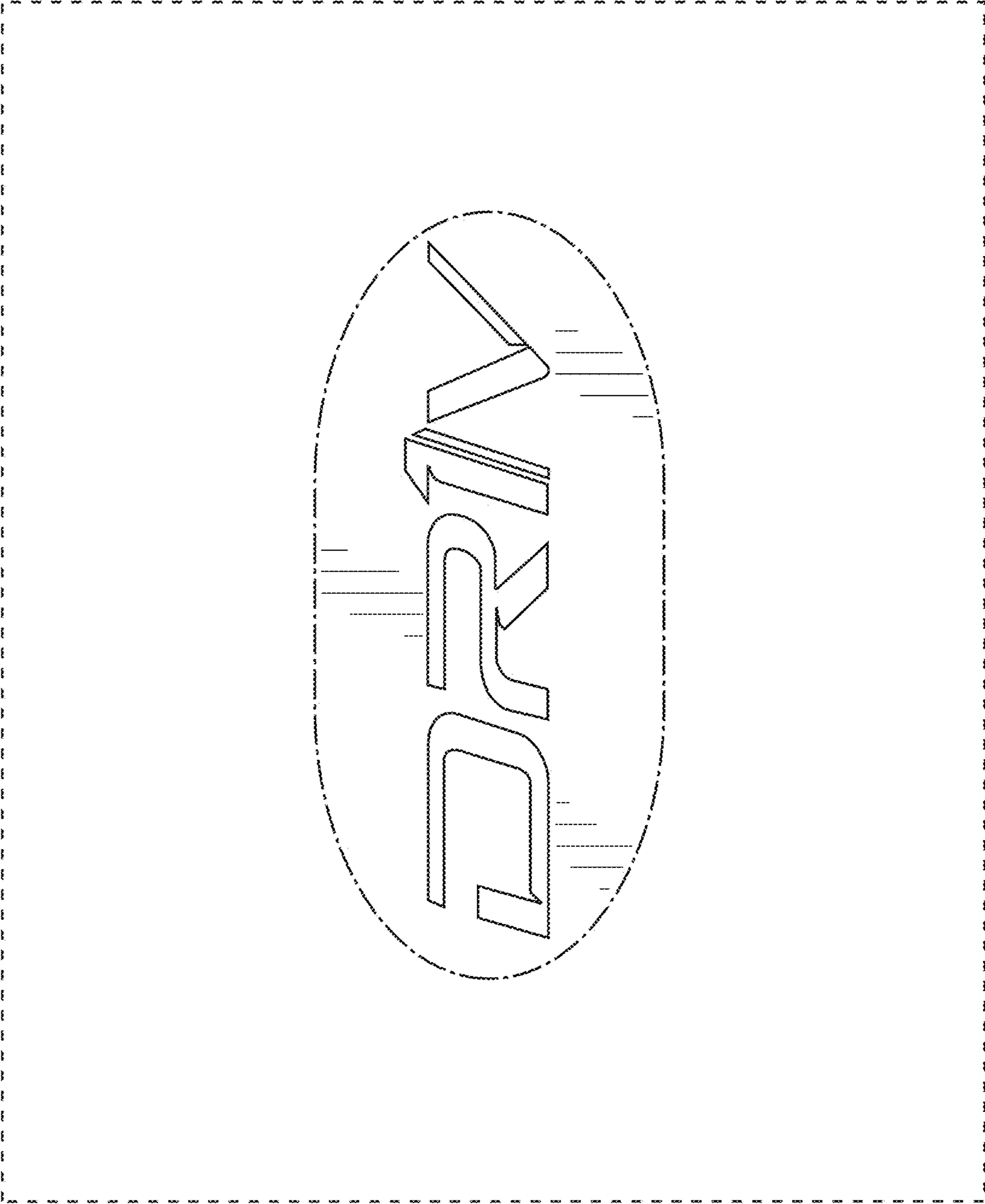


FIG. 2

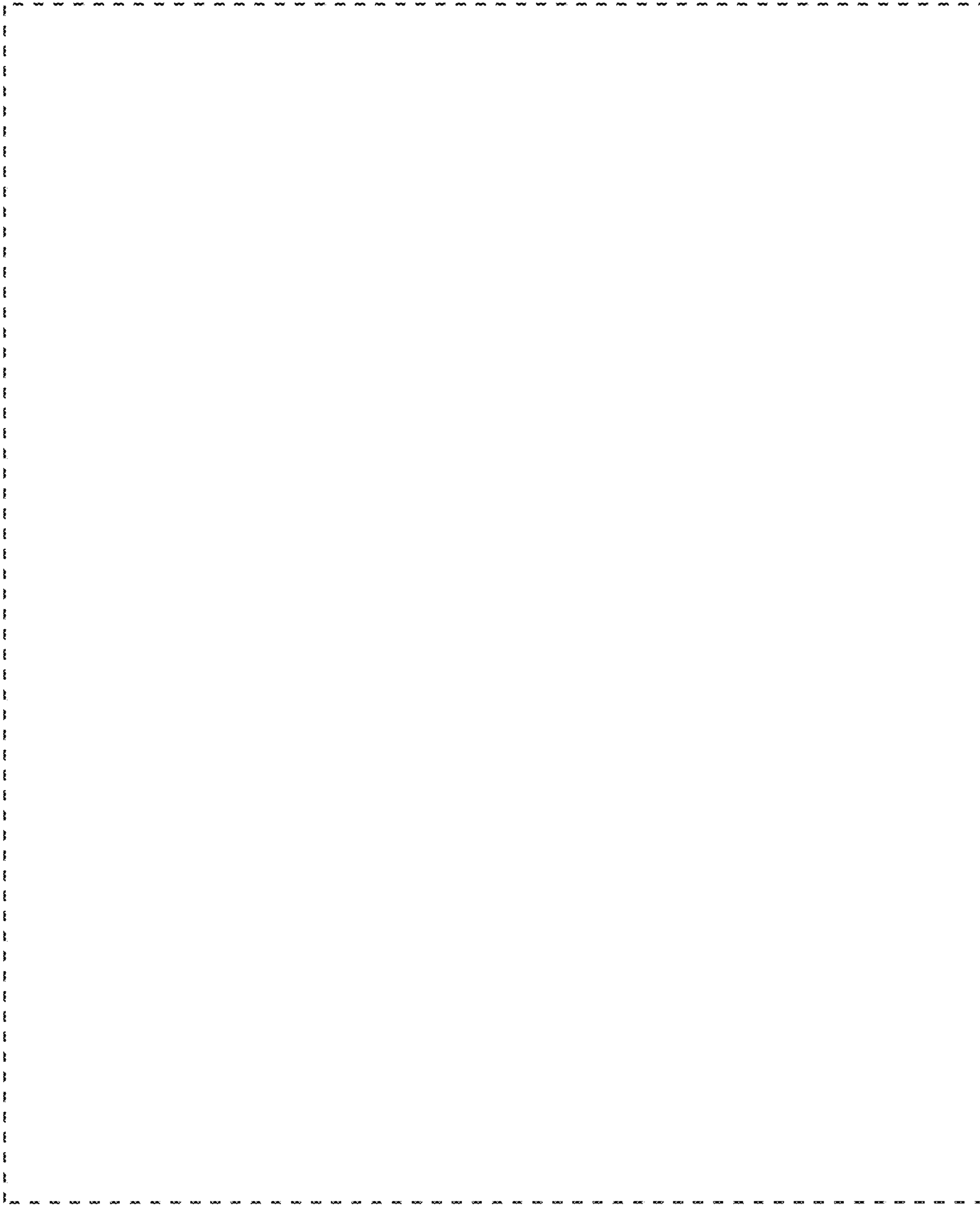


FIG. 3



FIG. 4



FIG. 5

FIG. 6

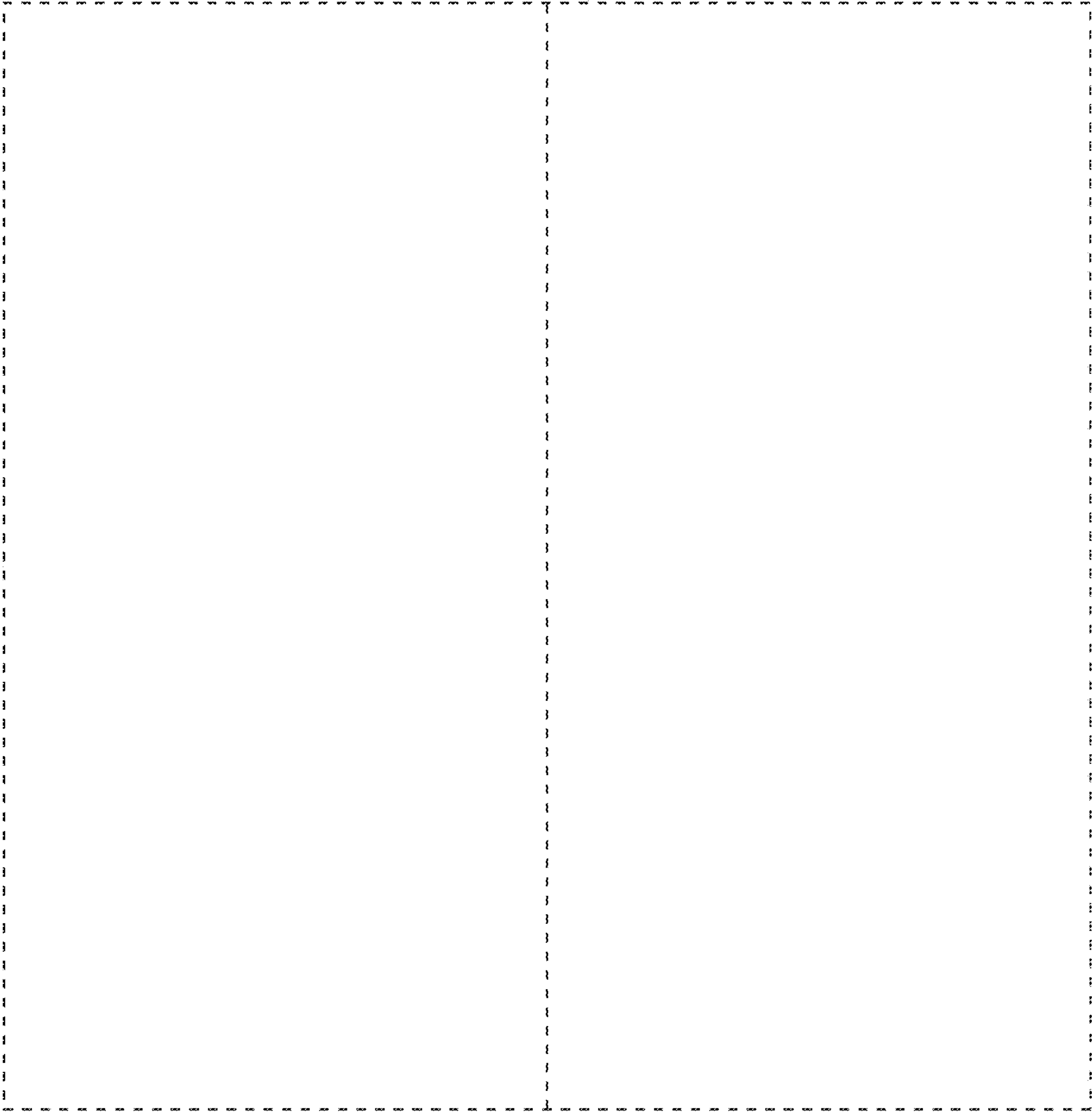
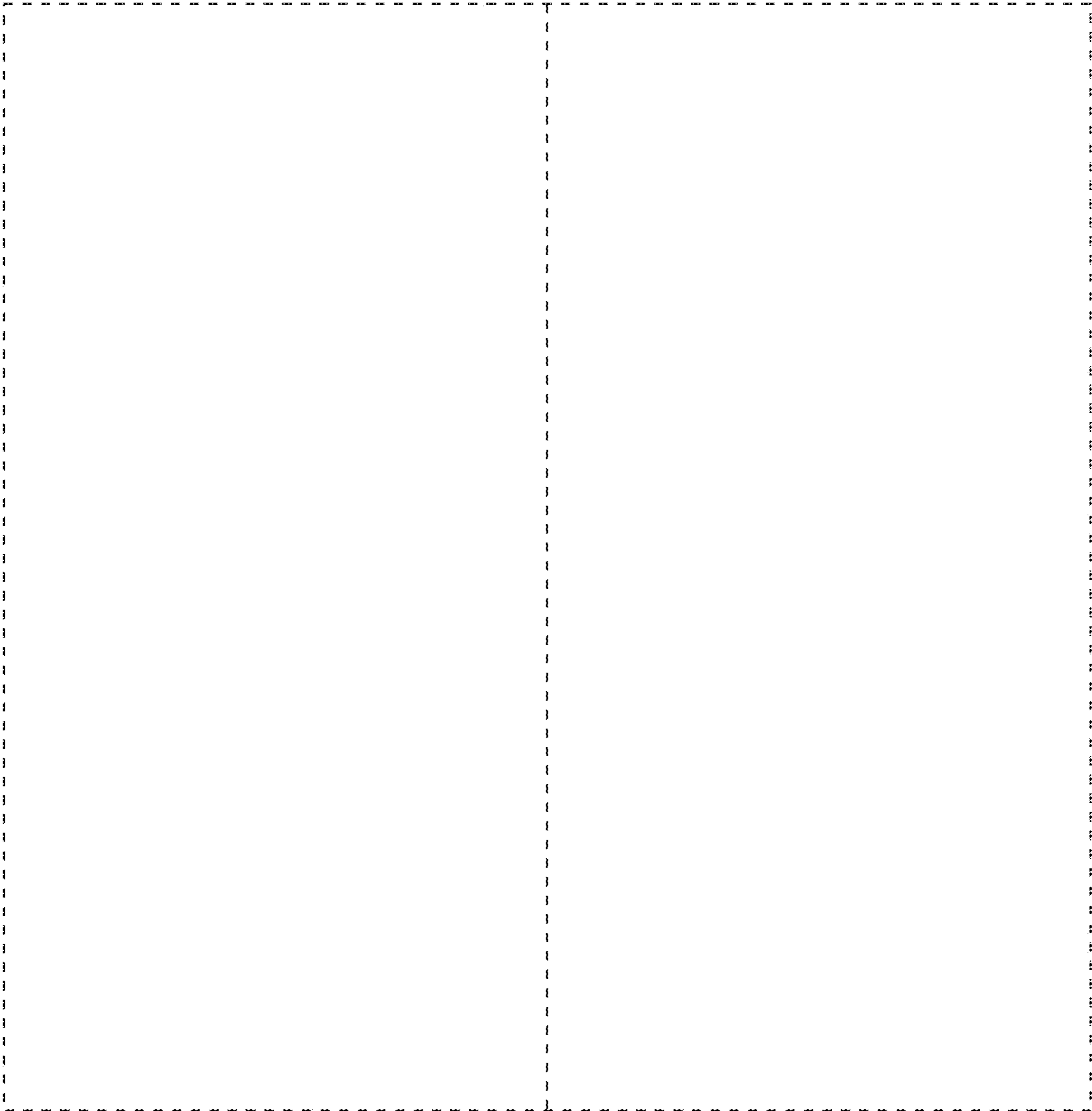


FIG. 7



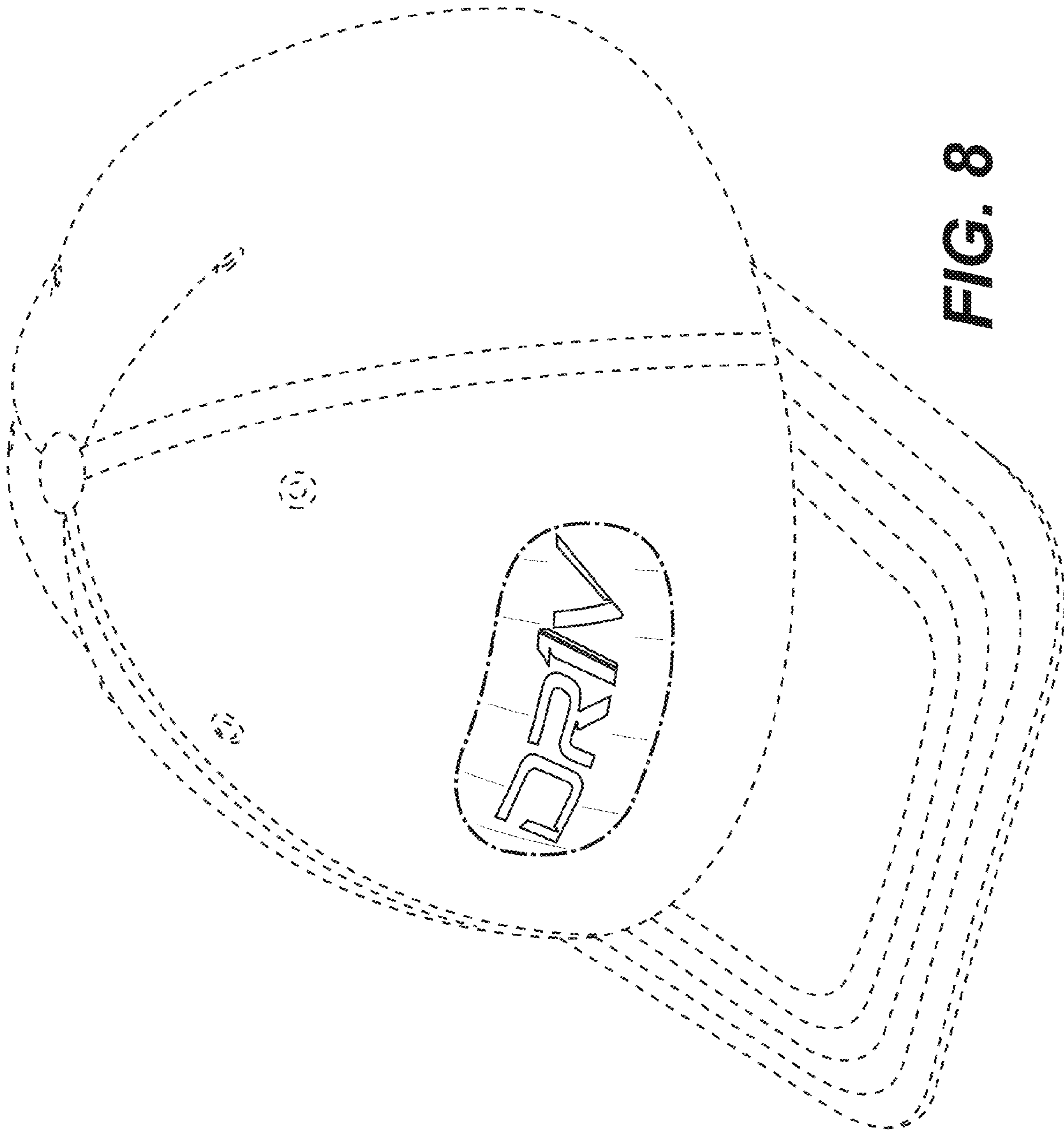


FIG. 8

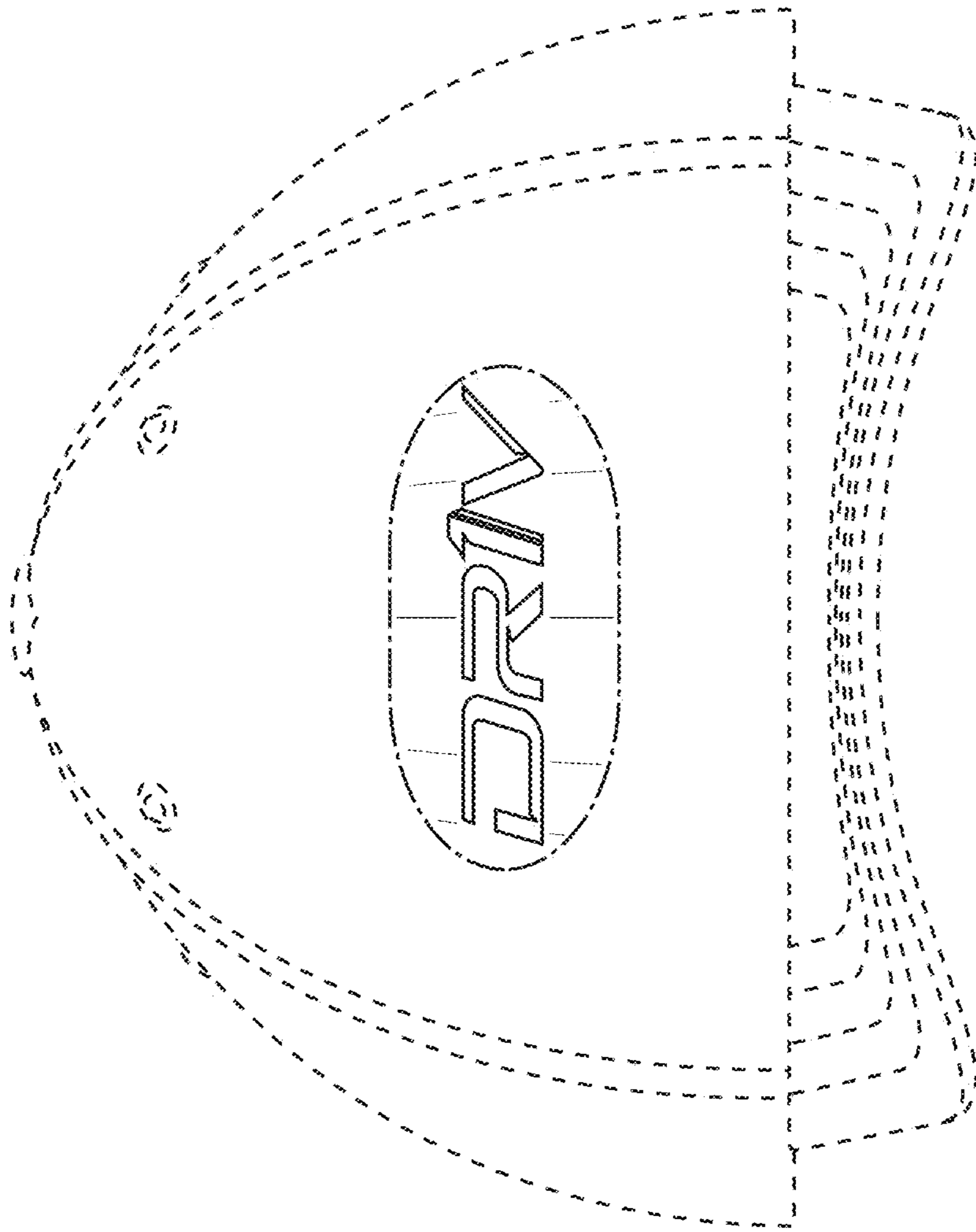


FIG. 9

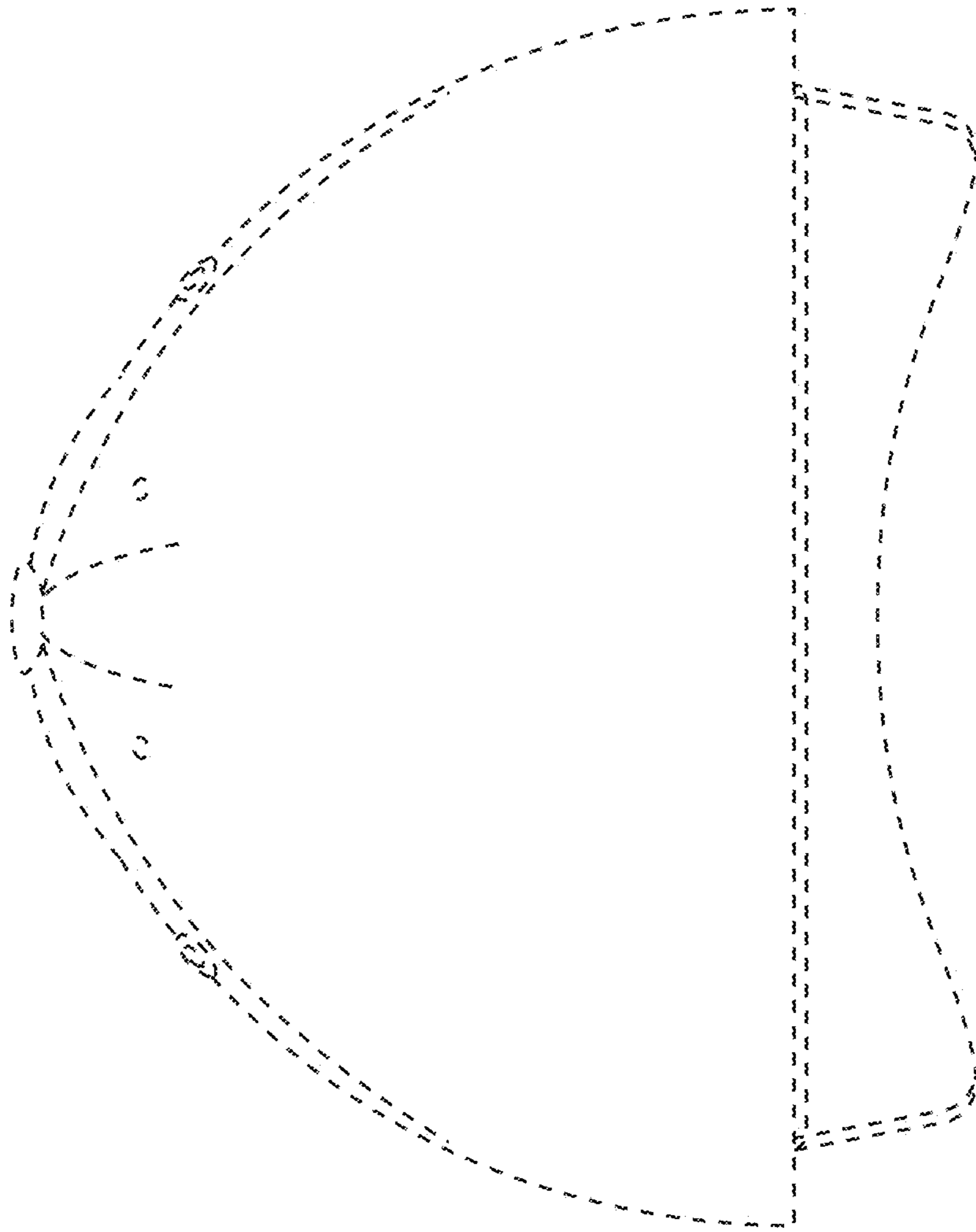


FIG. 10

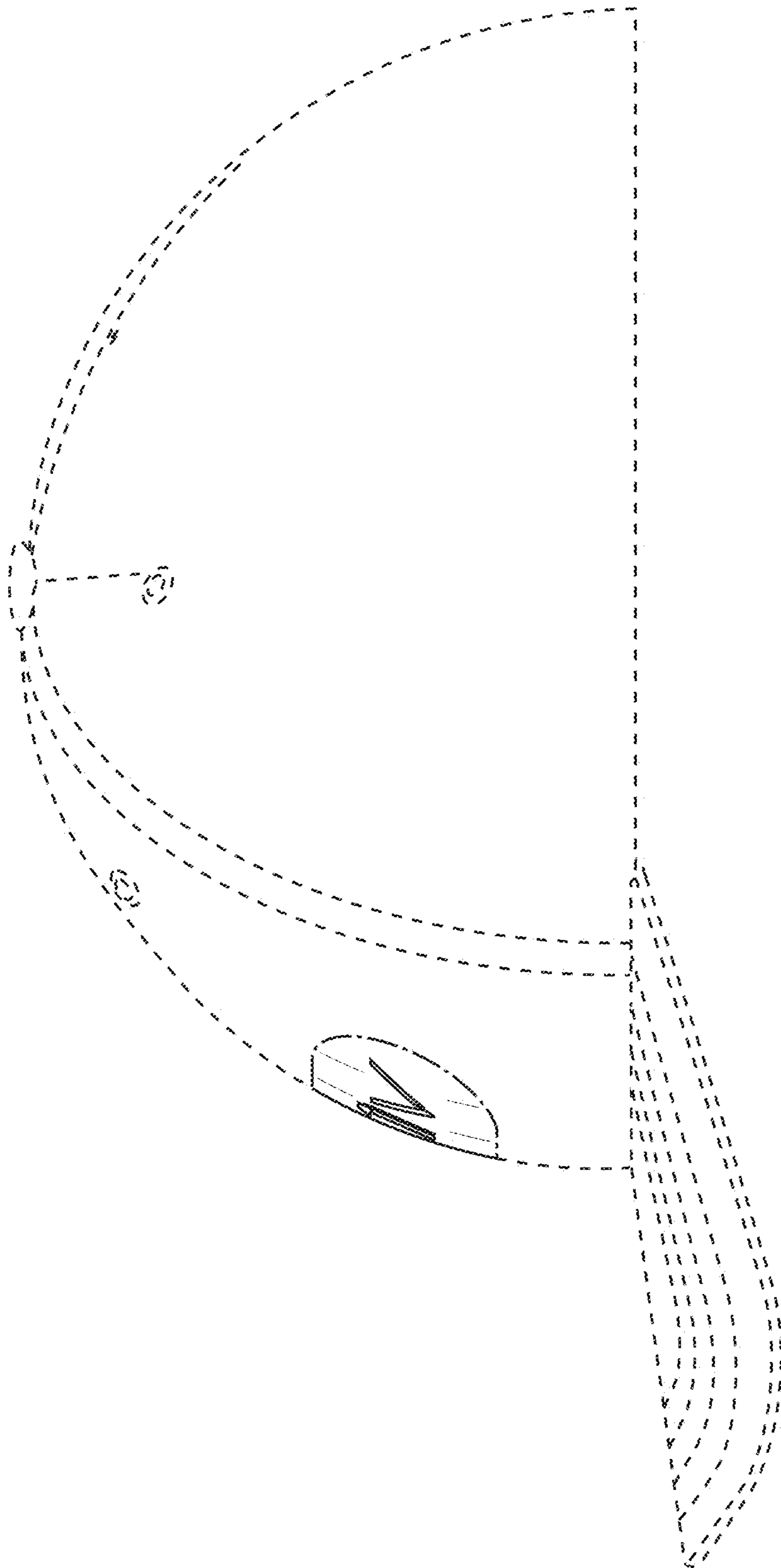


FIG. 11

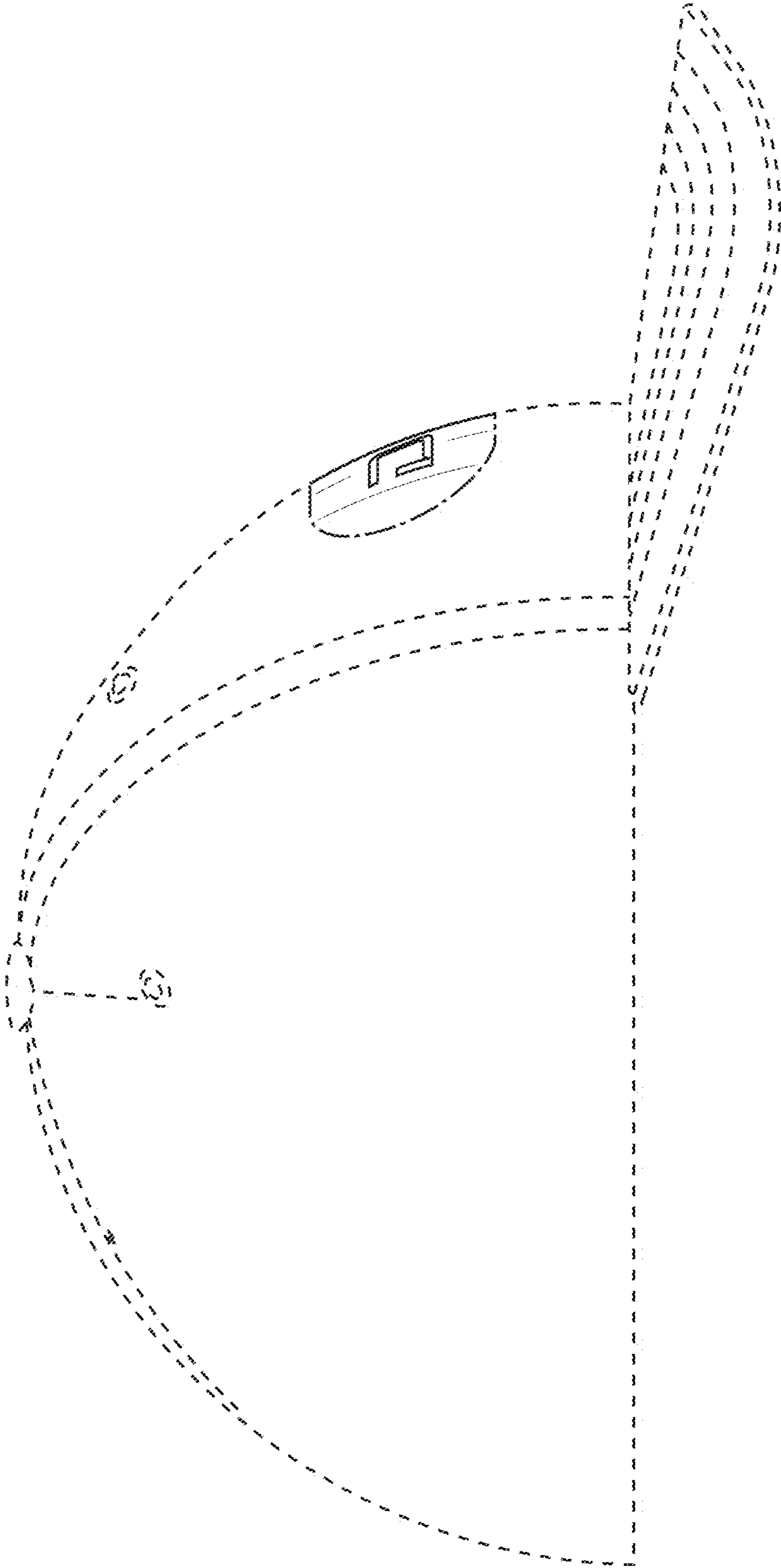


FIG. 12

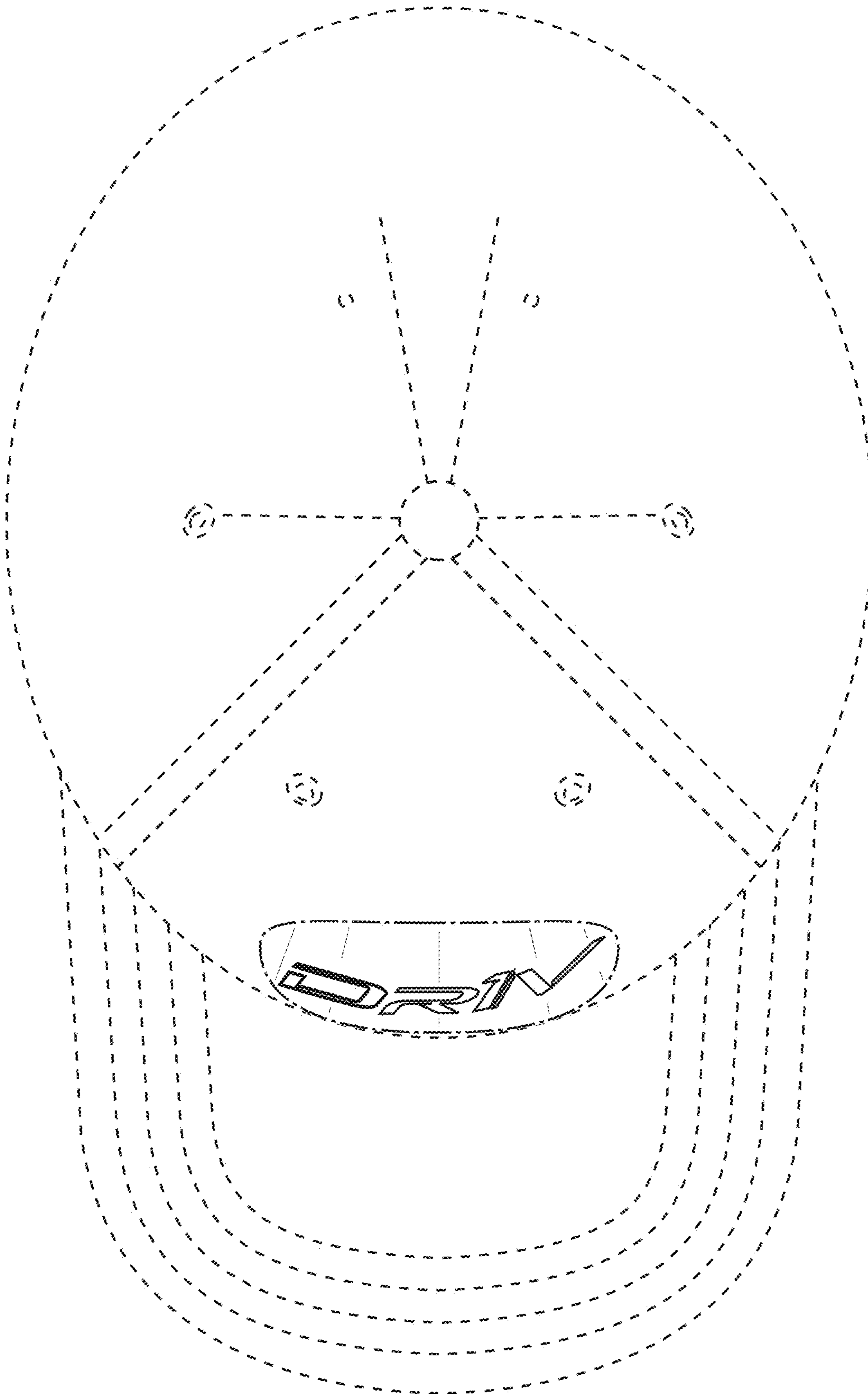


FIG. 13

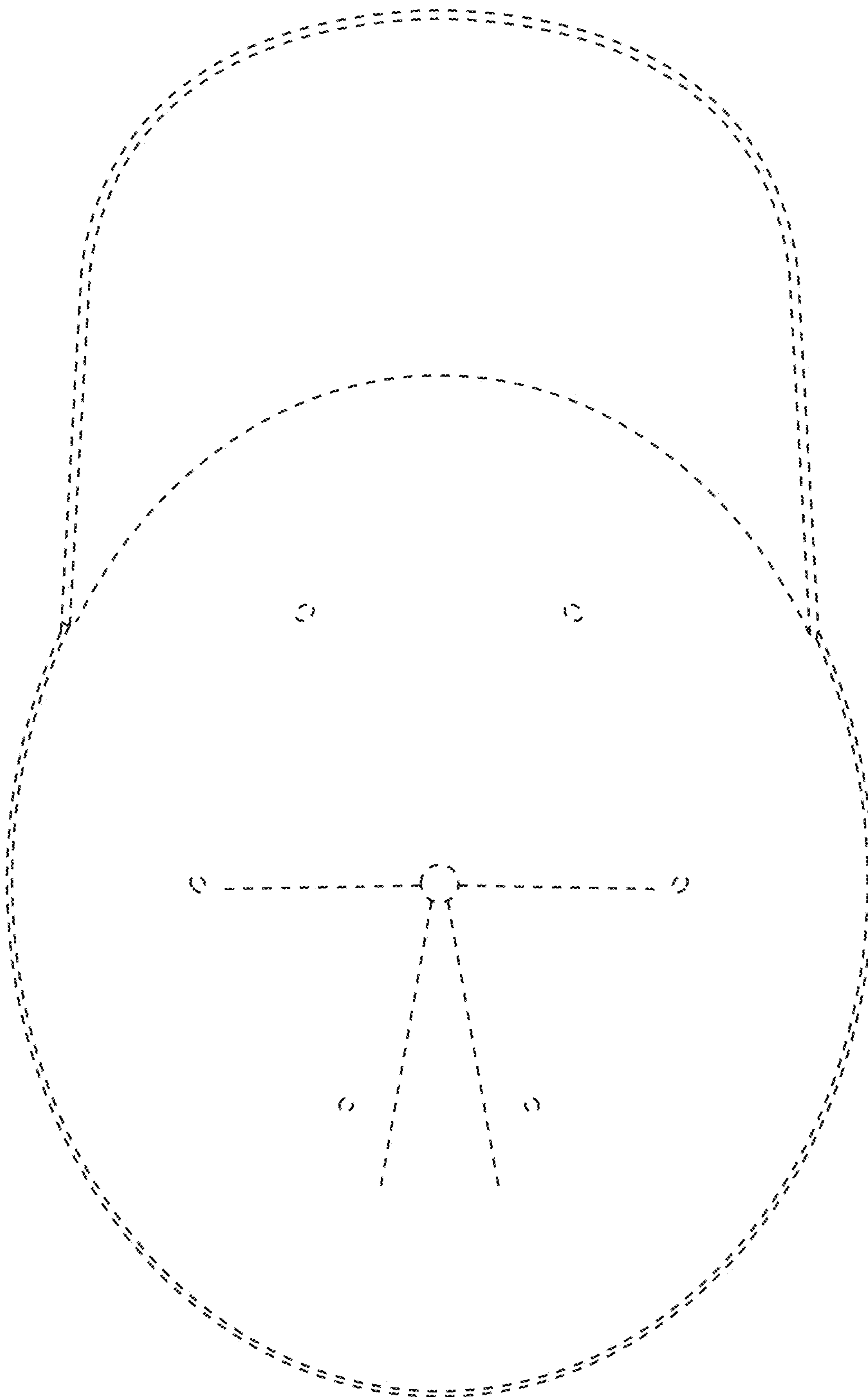


FIG. 14

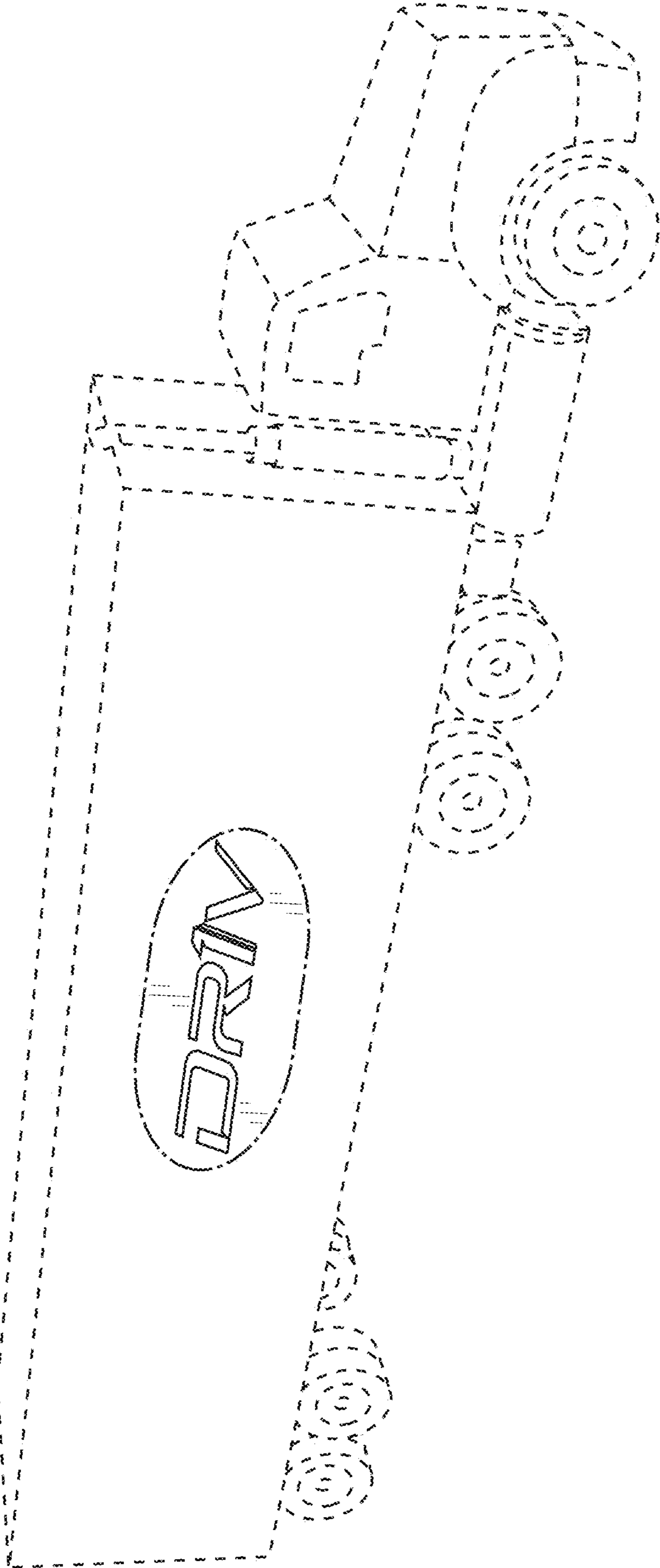


FIG. 15

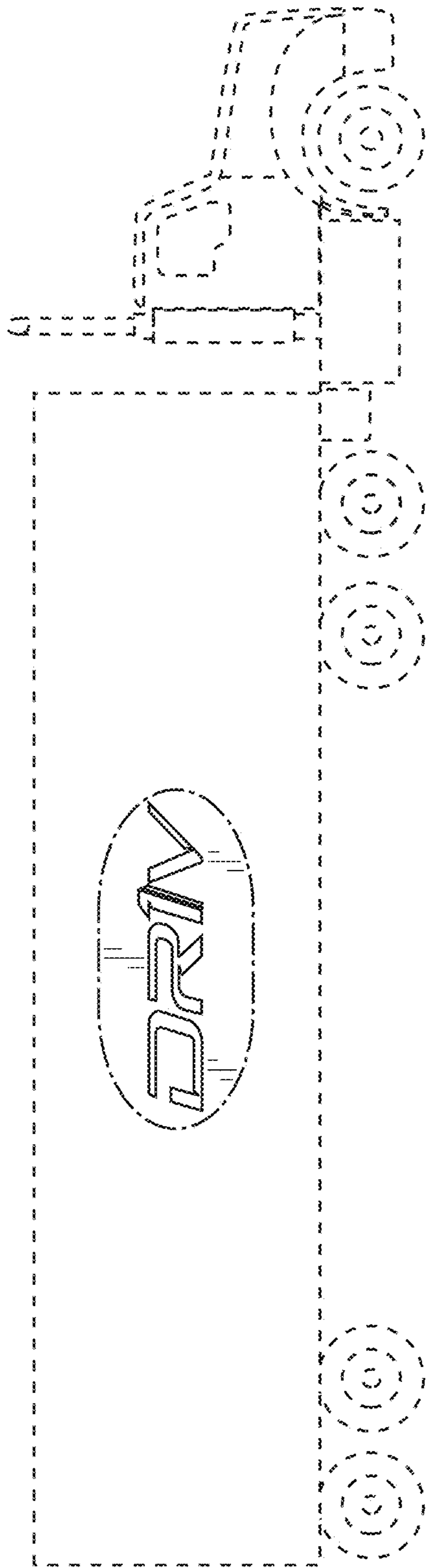


FIG. 16

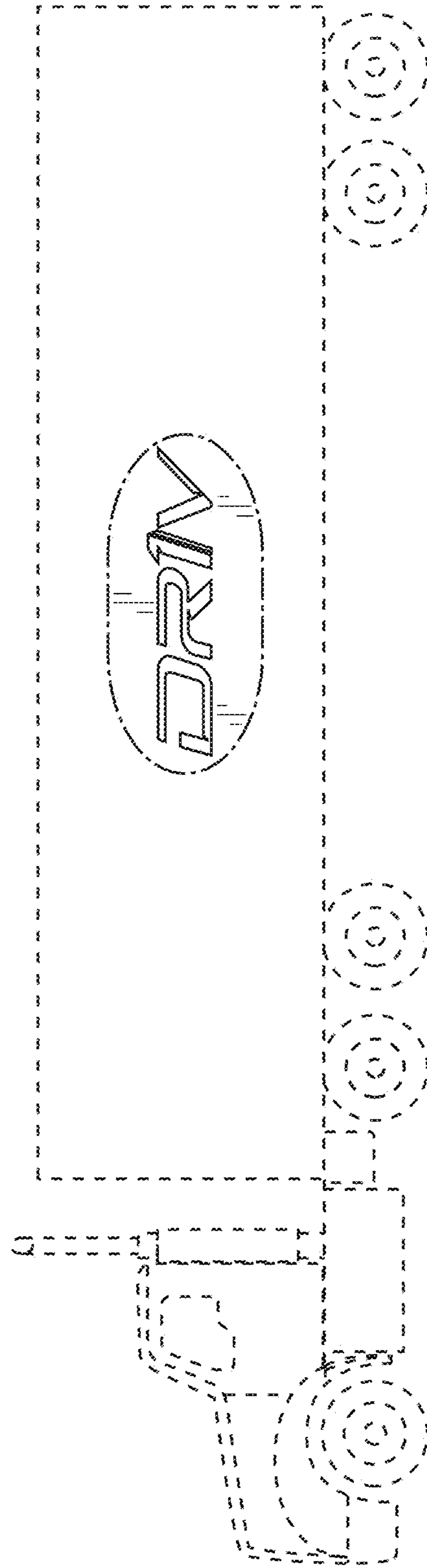


FIG. 17

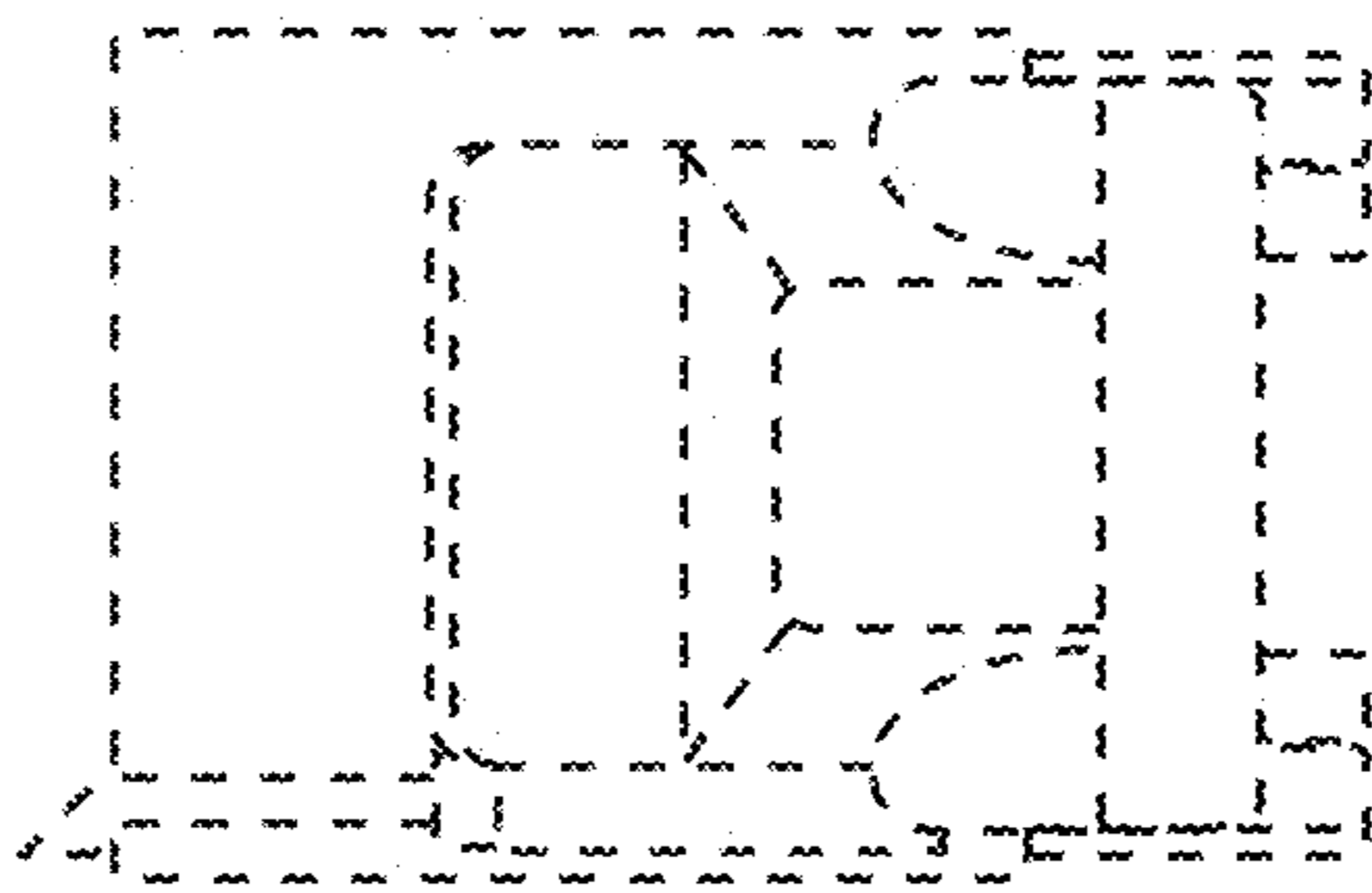


FIG. 18

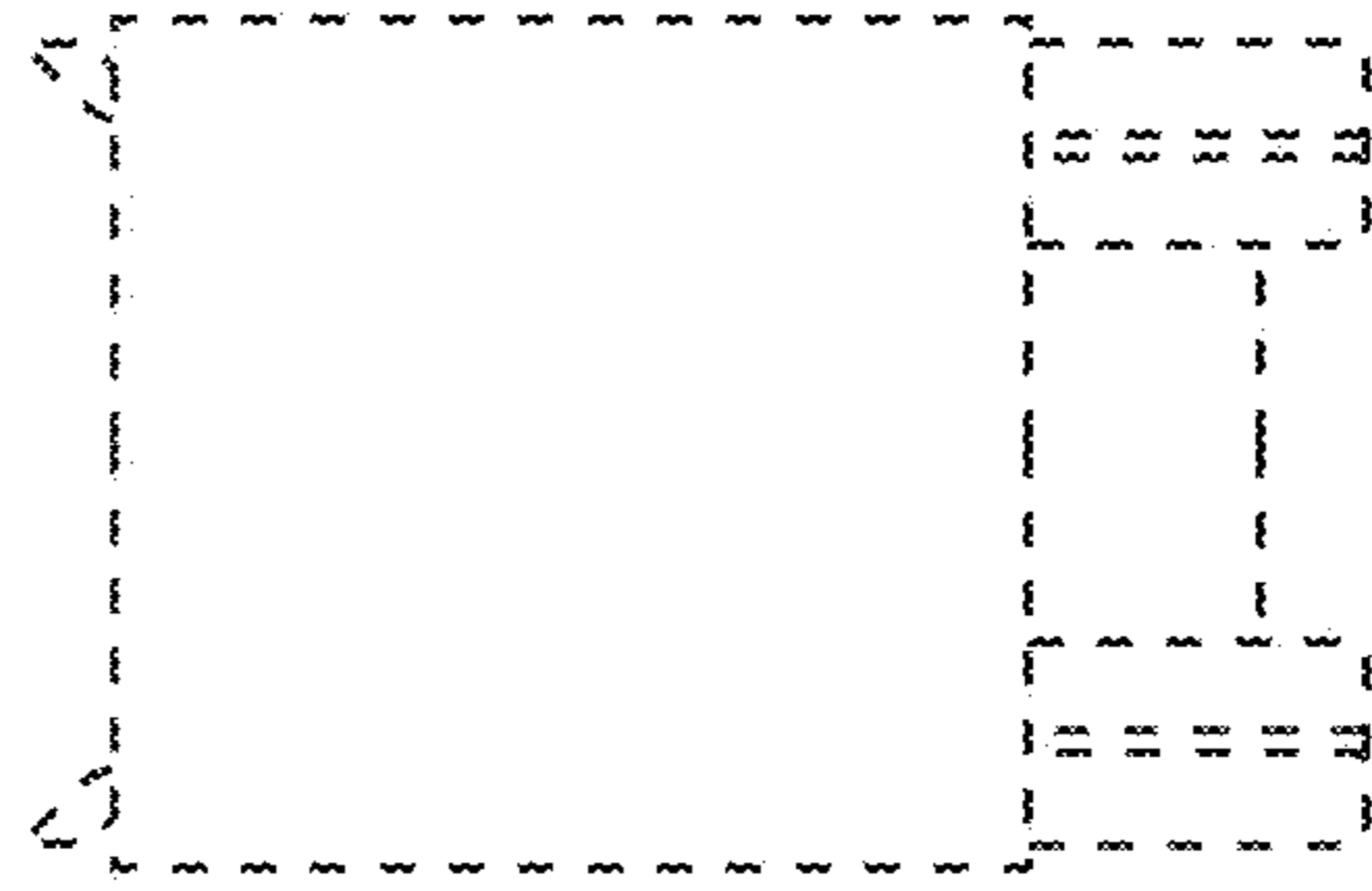


FIG. 19

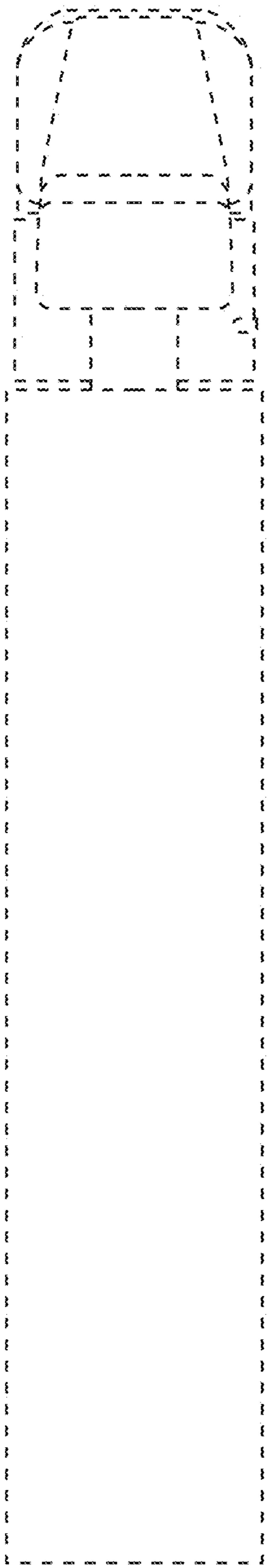


FIG. 20

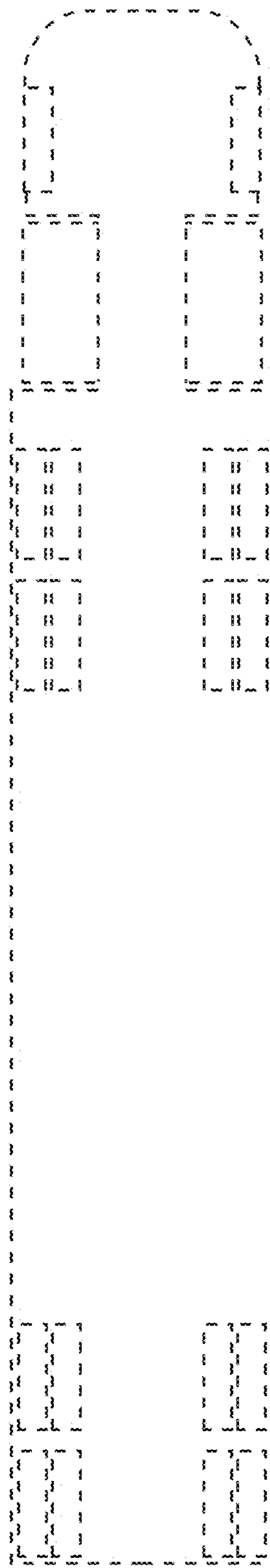


FIG. 21

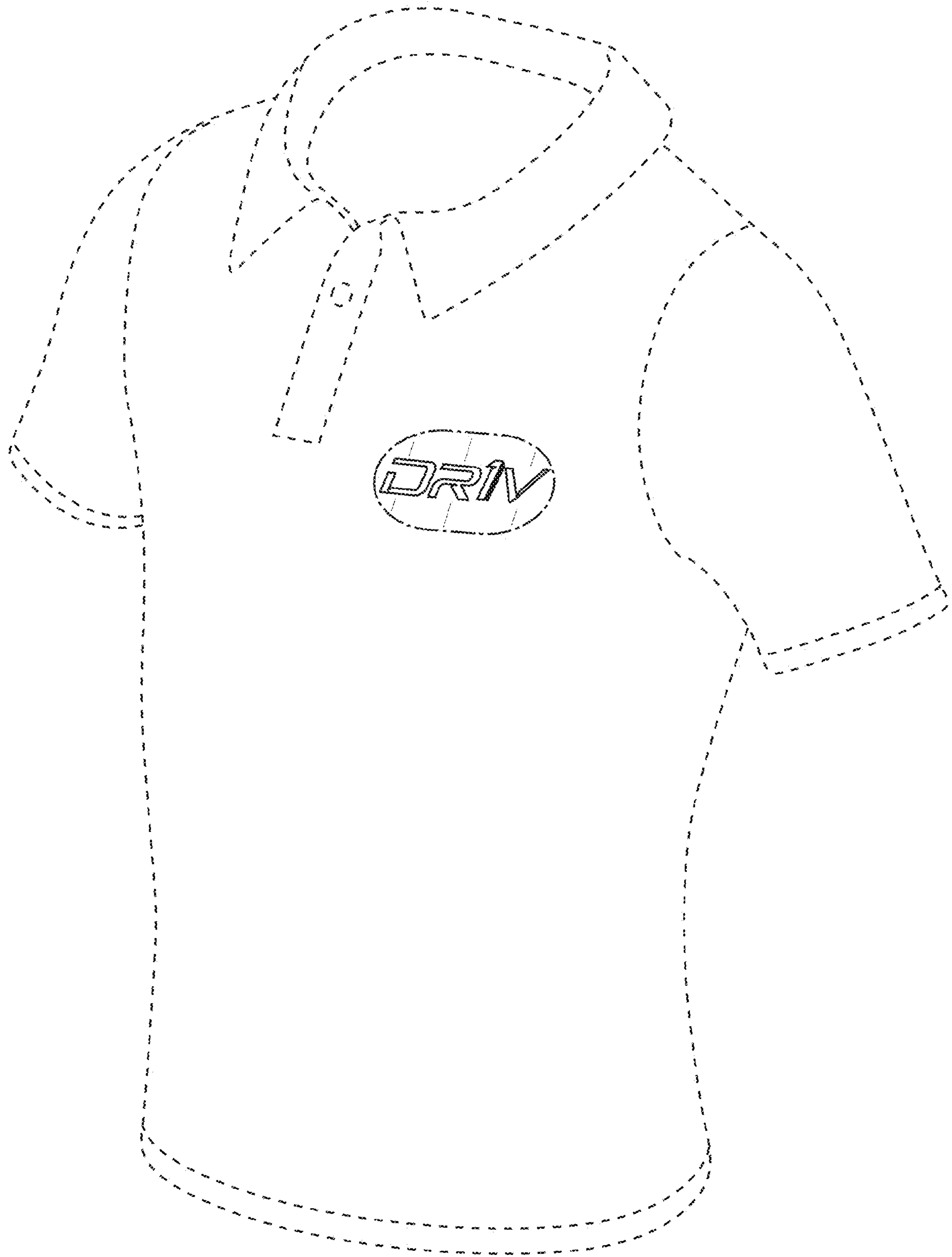


FIG. 22



FIG. 23

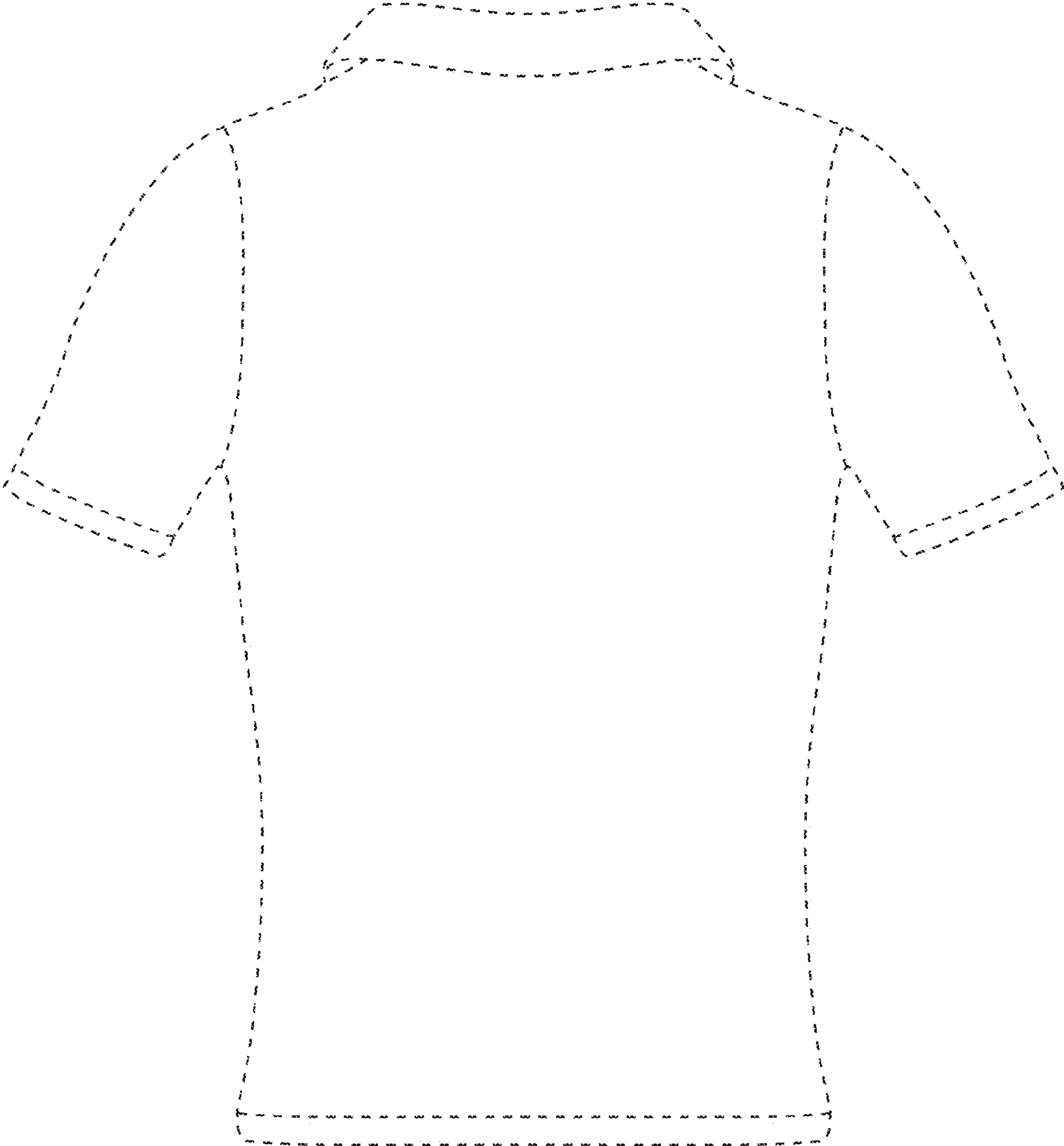


FIG. 24

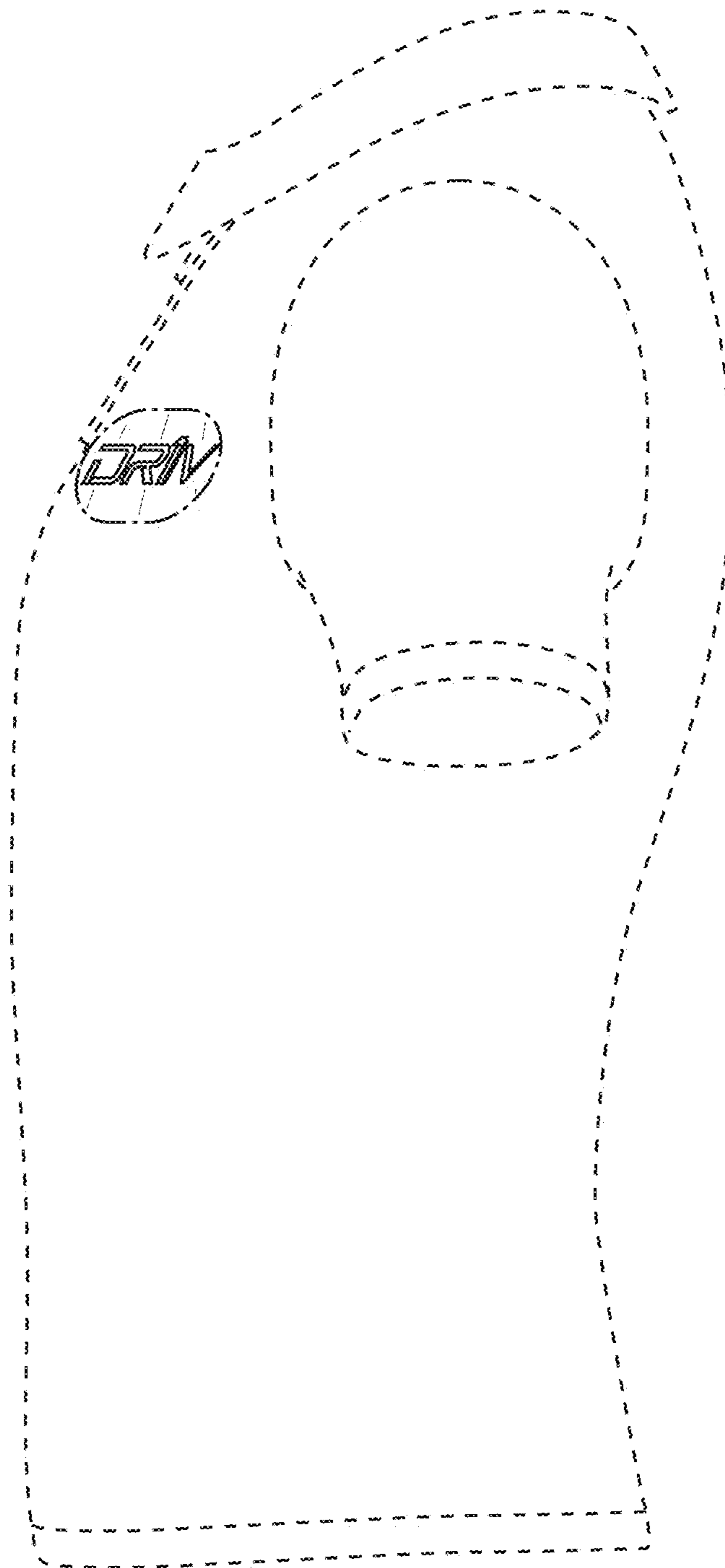


FIG. 25

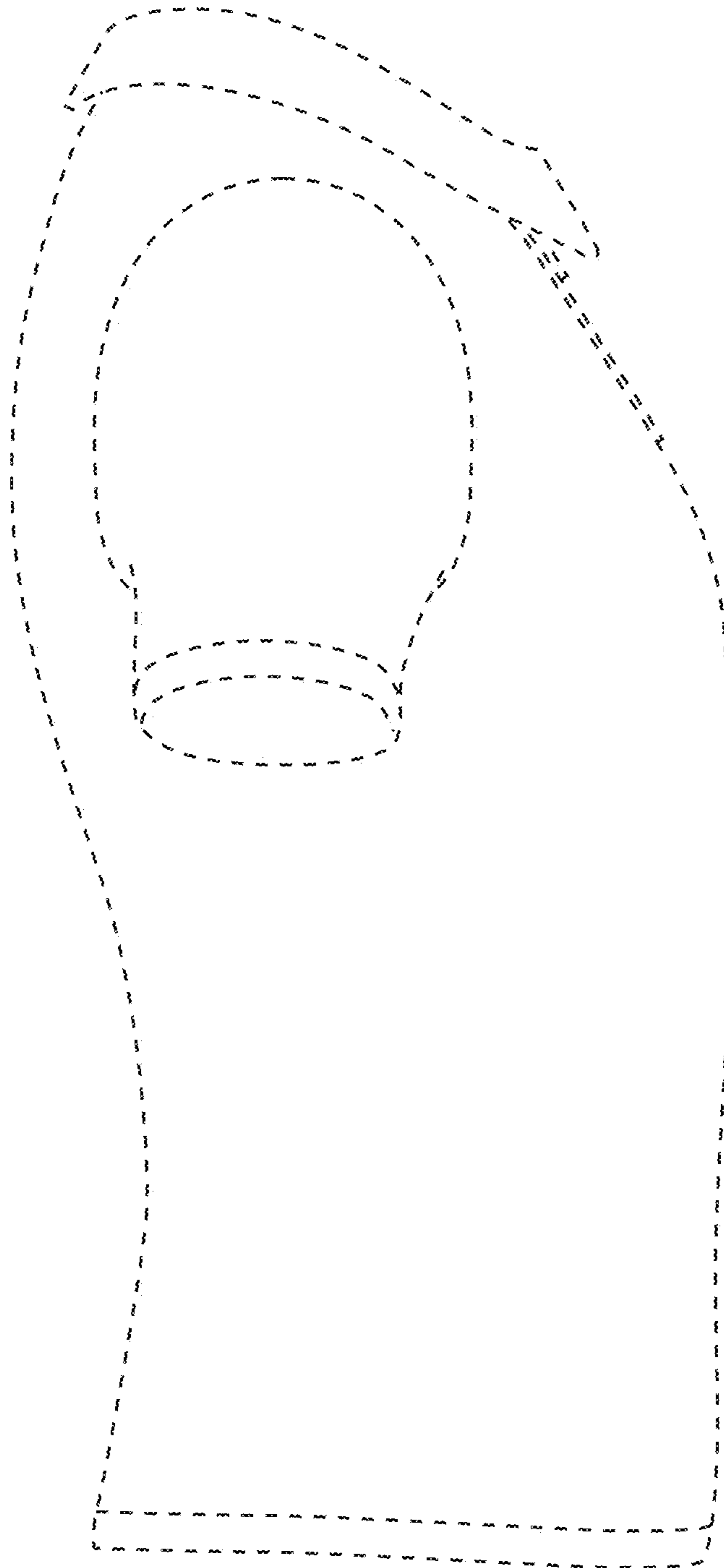


FIG. 26

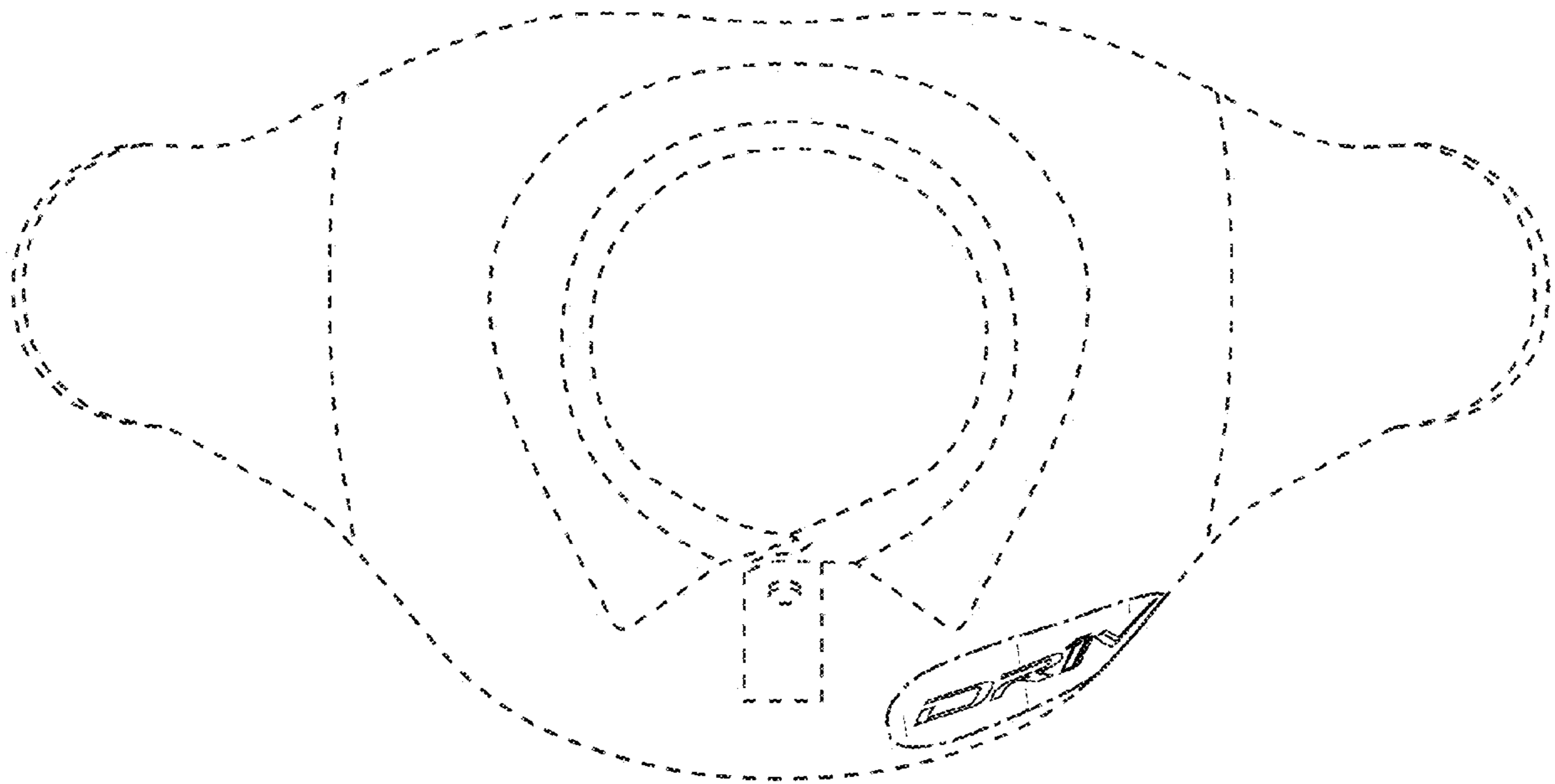


FIG. 27

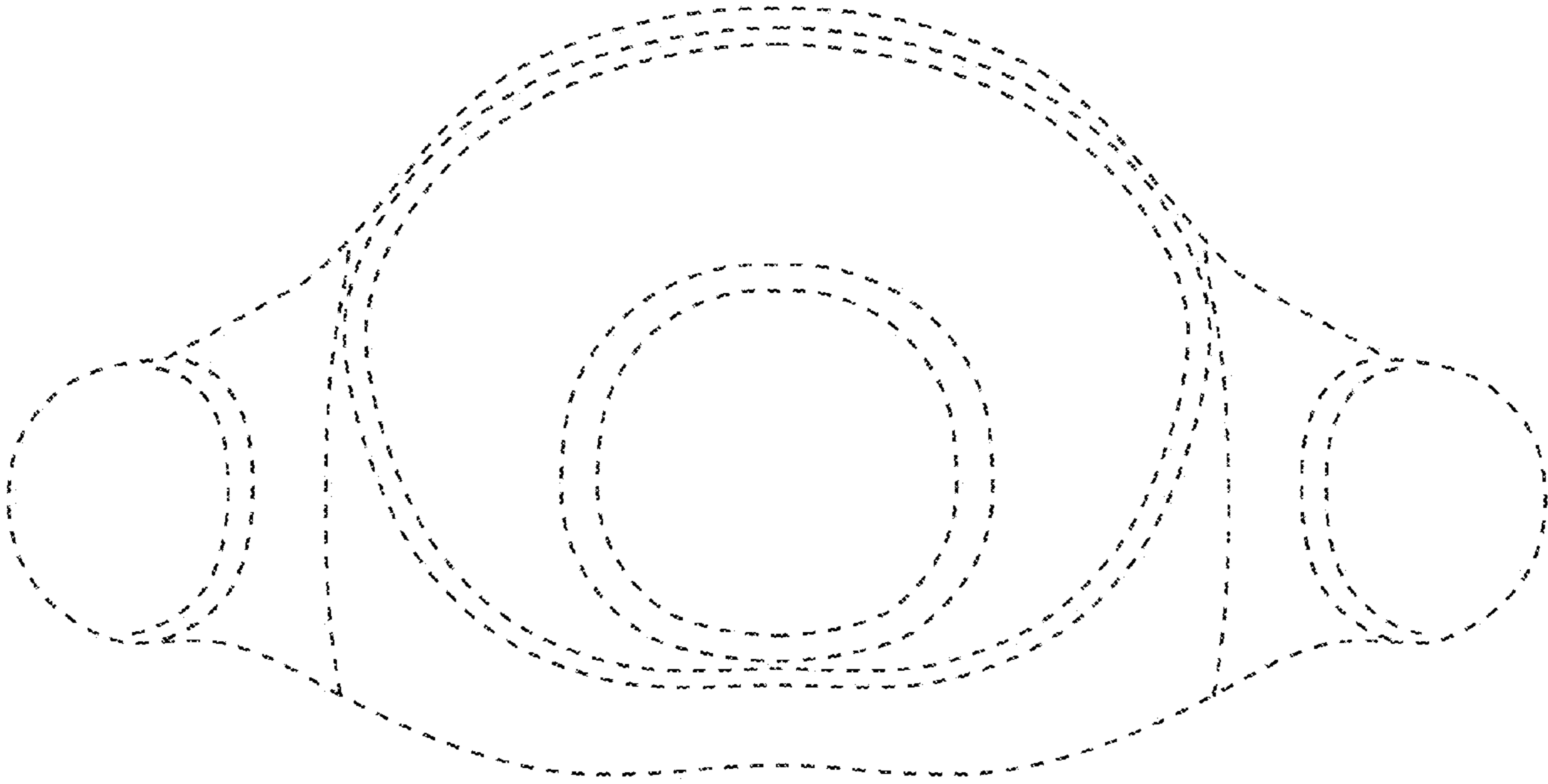


FIG. 28

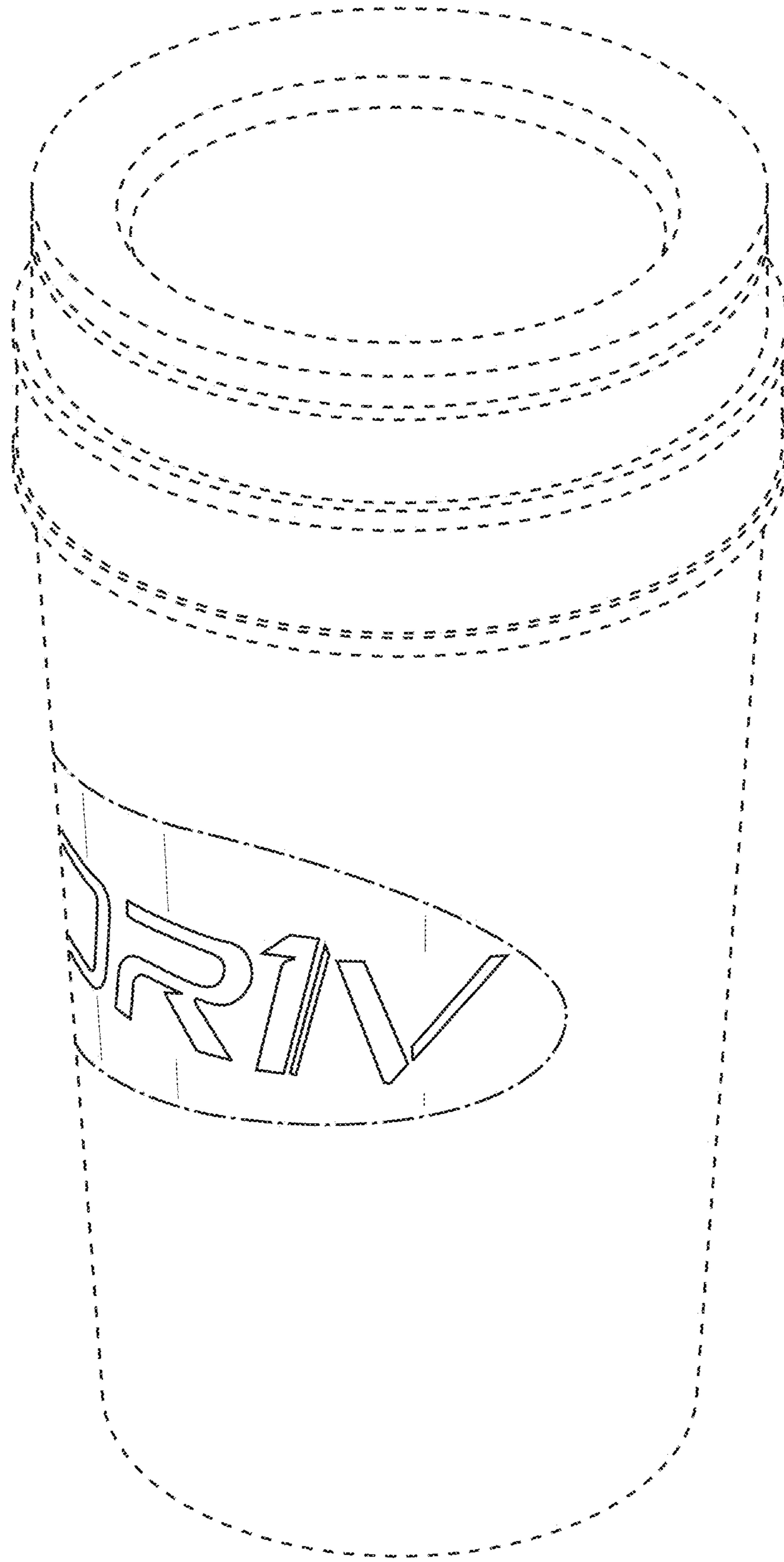


FIG. 29

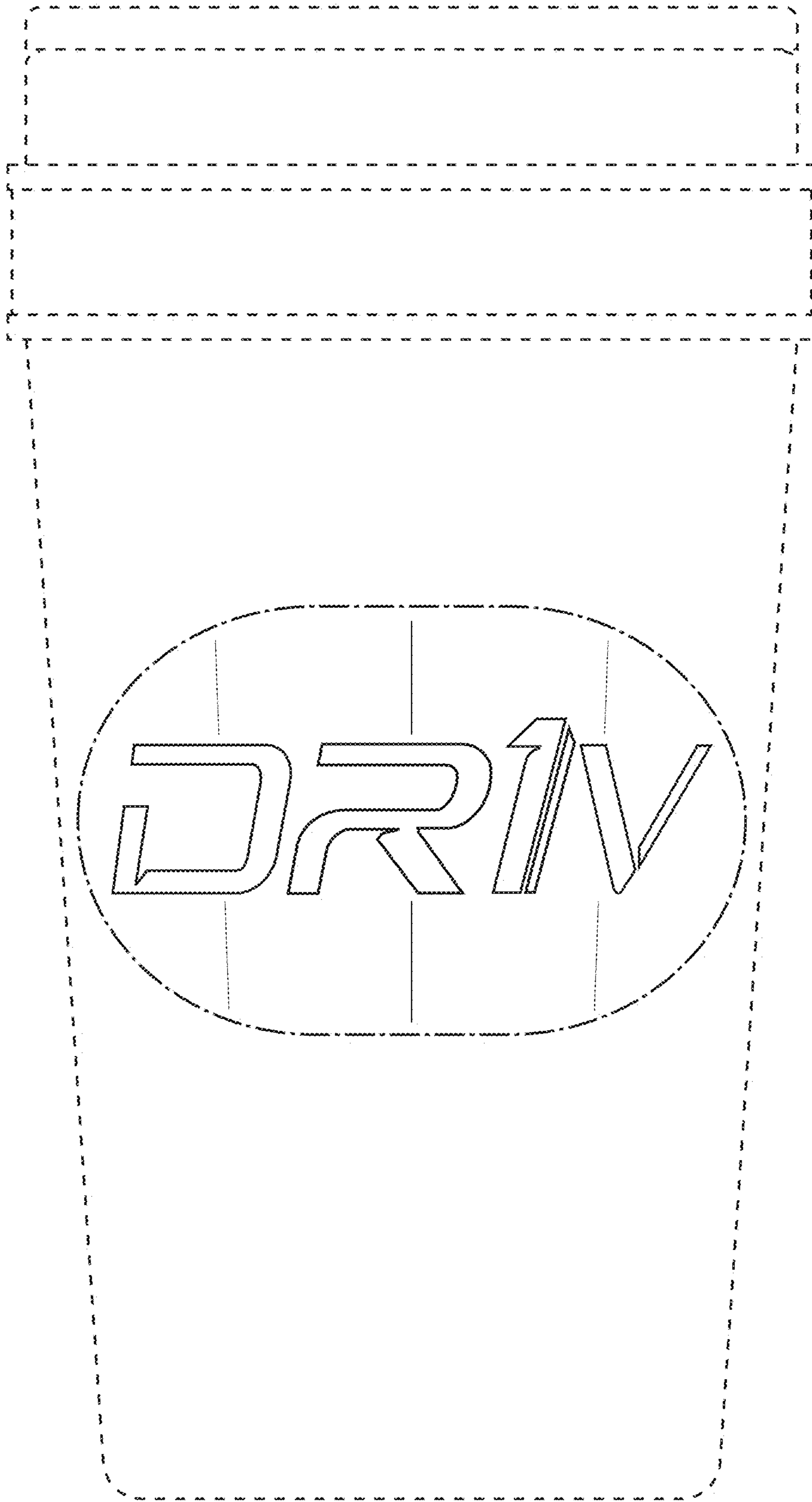


FIG. 30

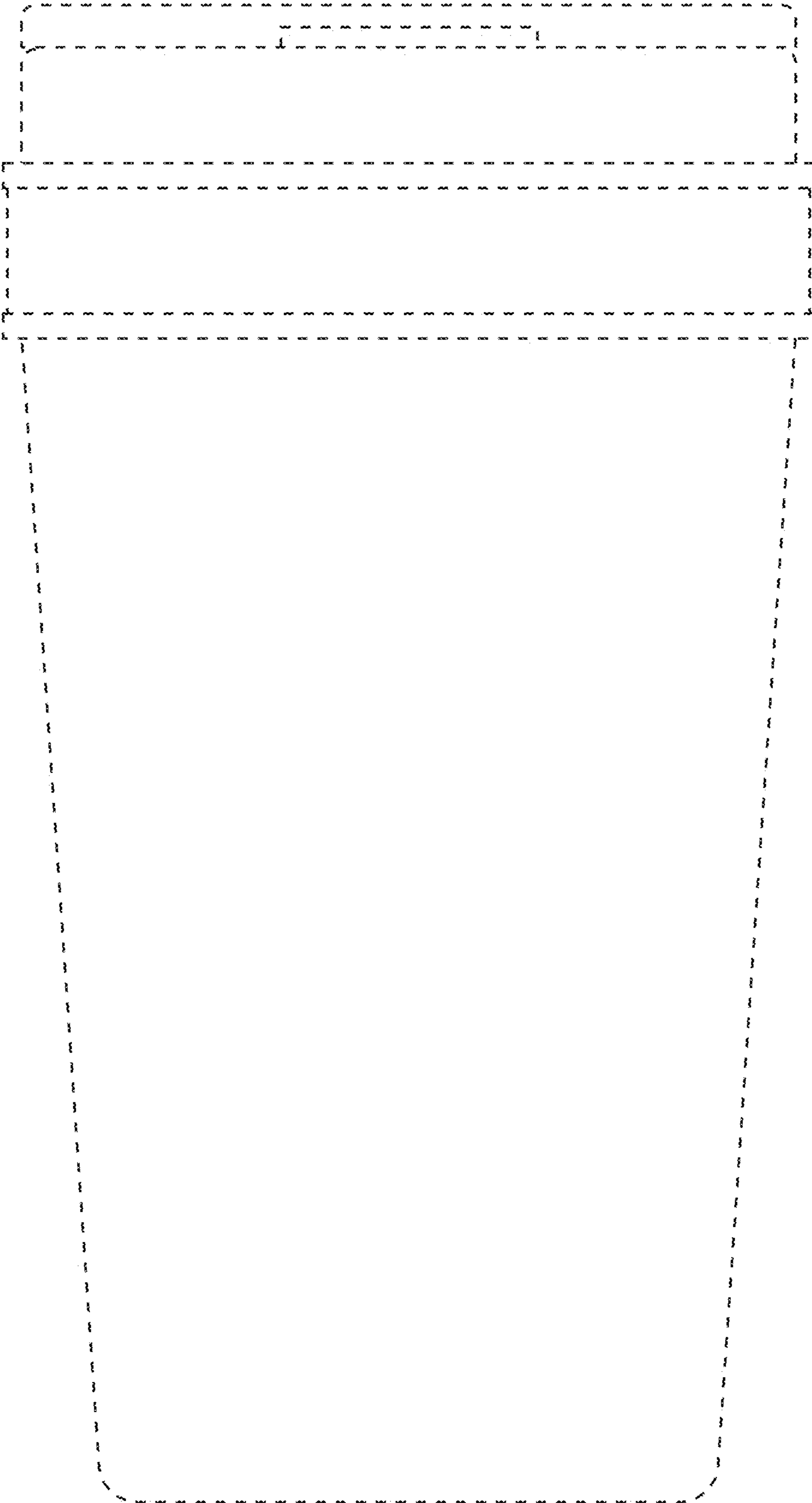


FIG. 31

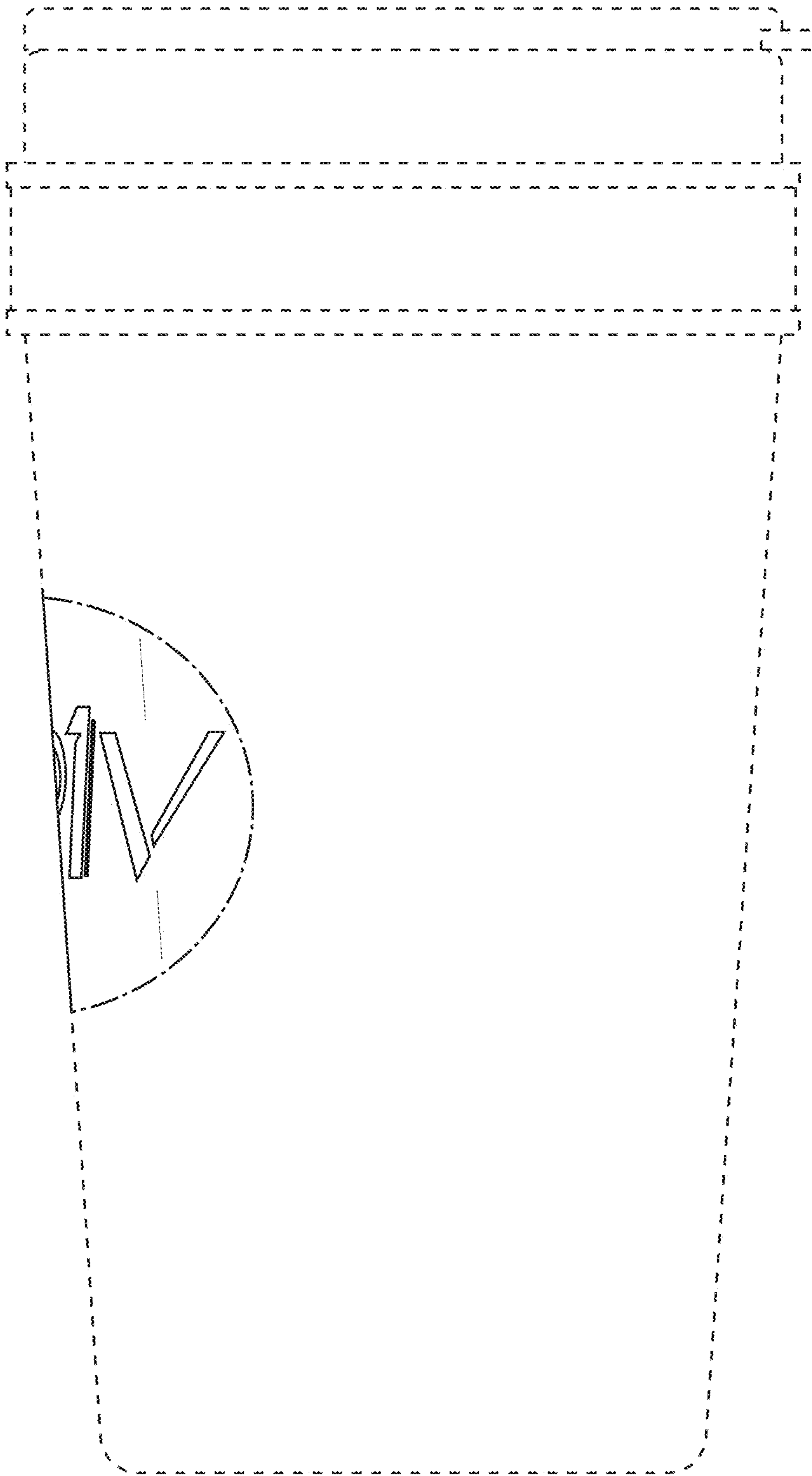


FIG. 32

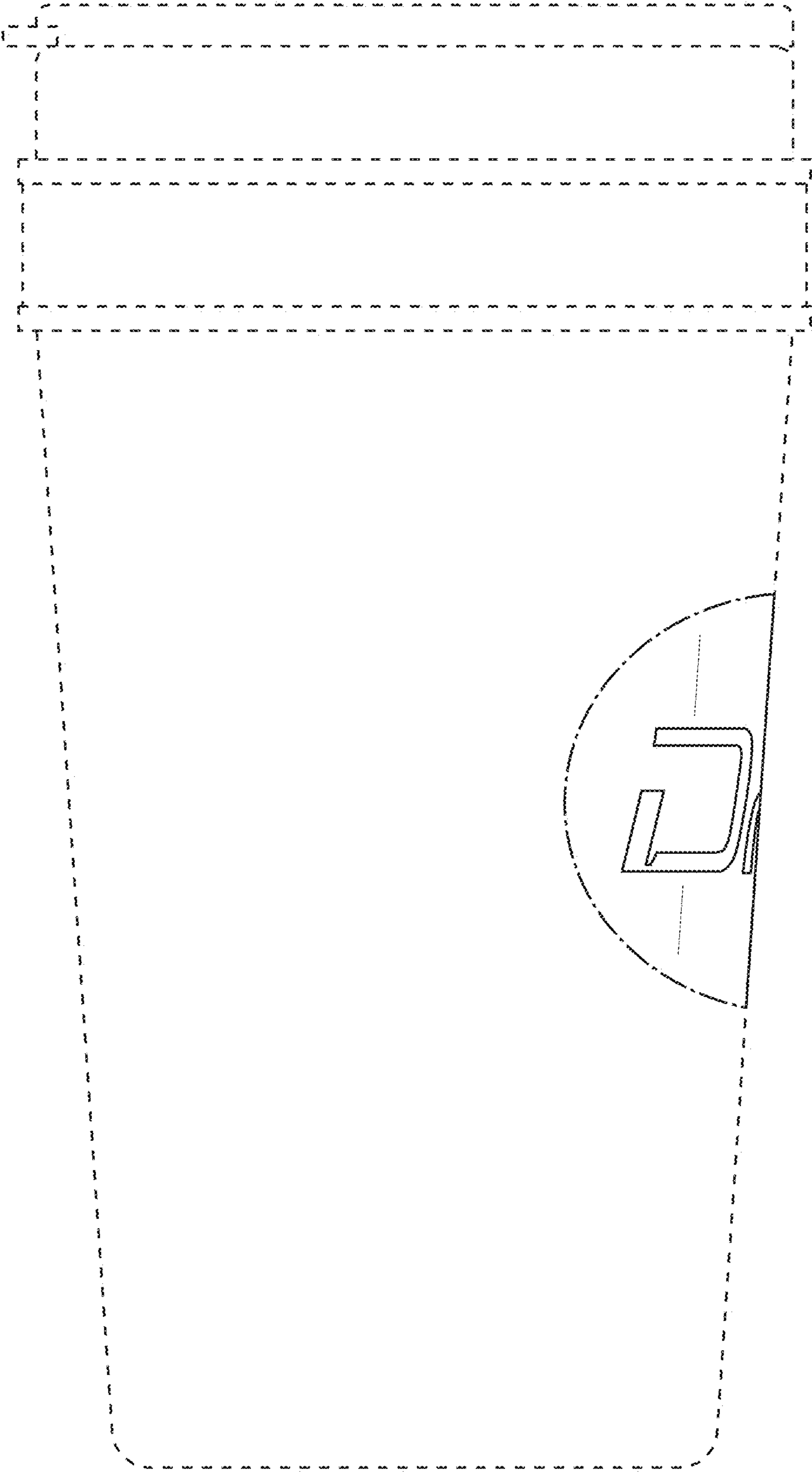


FIG. 33

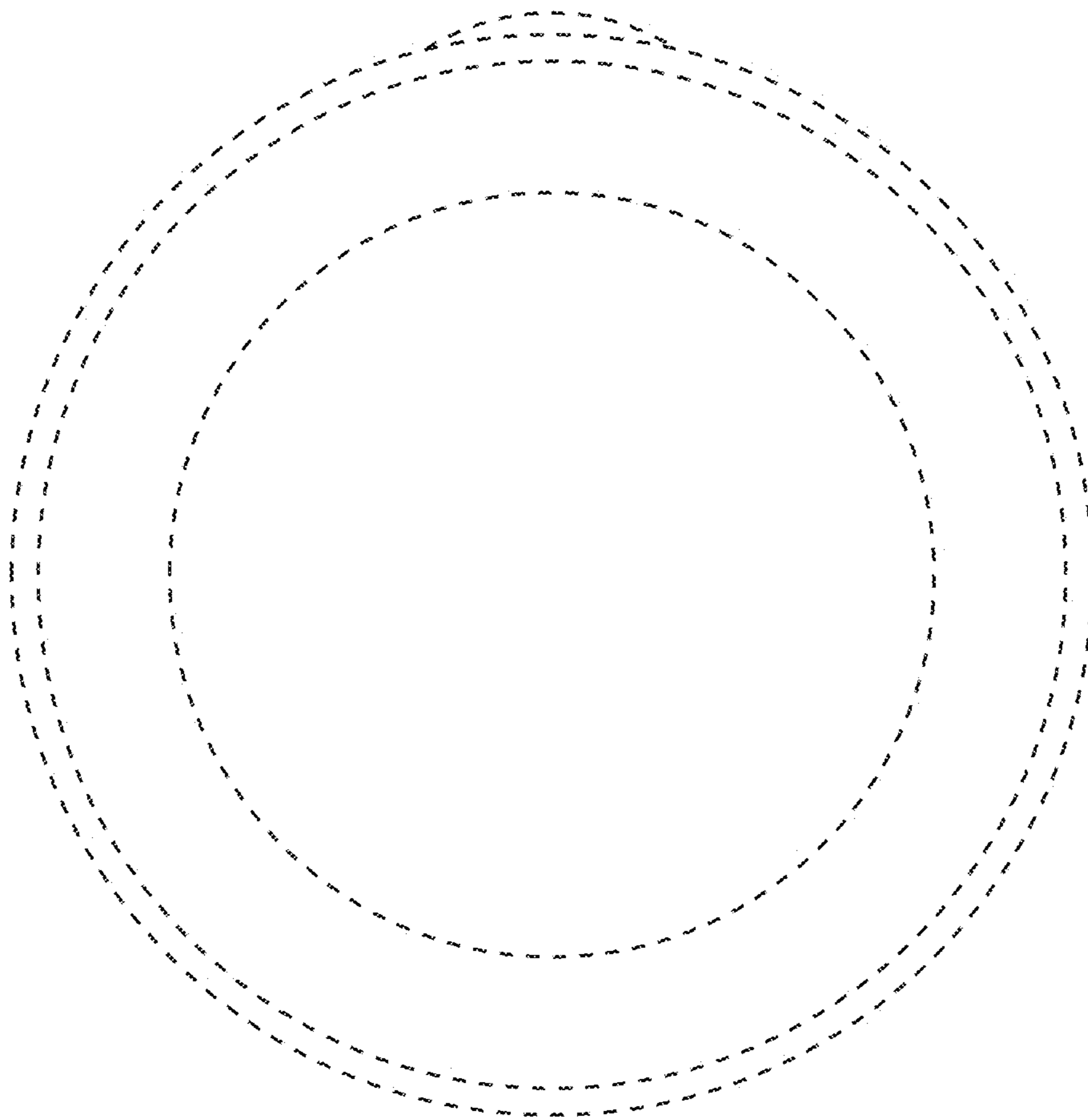


FIG. 34

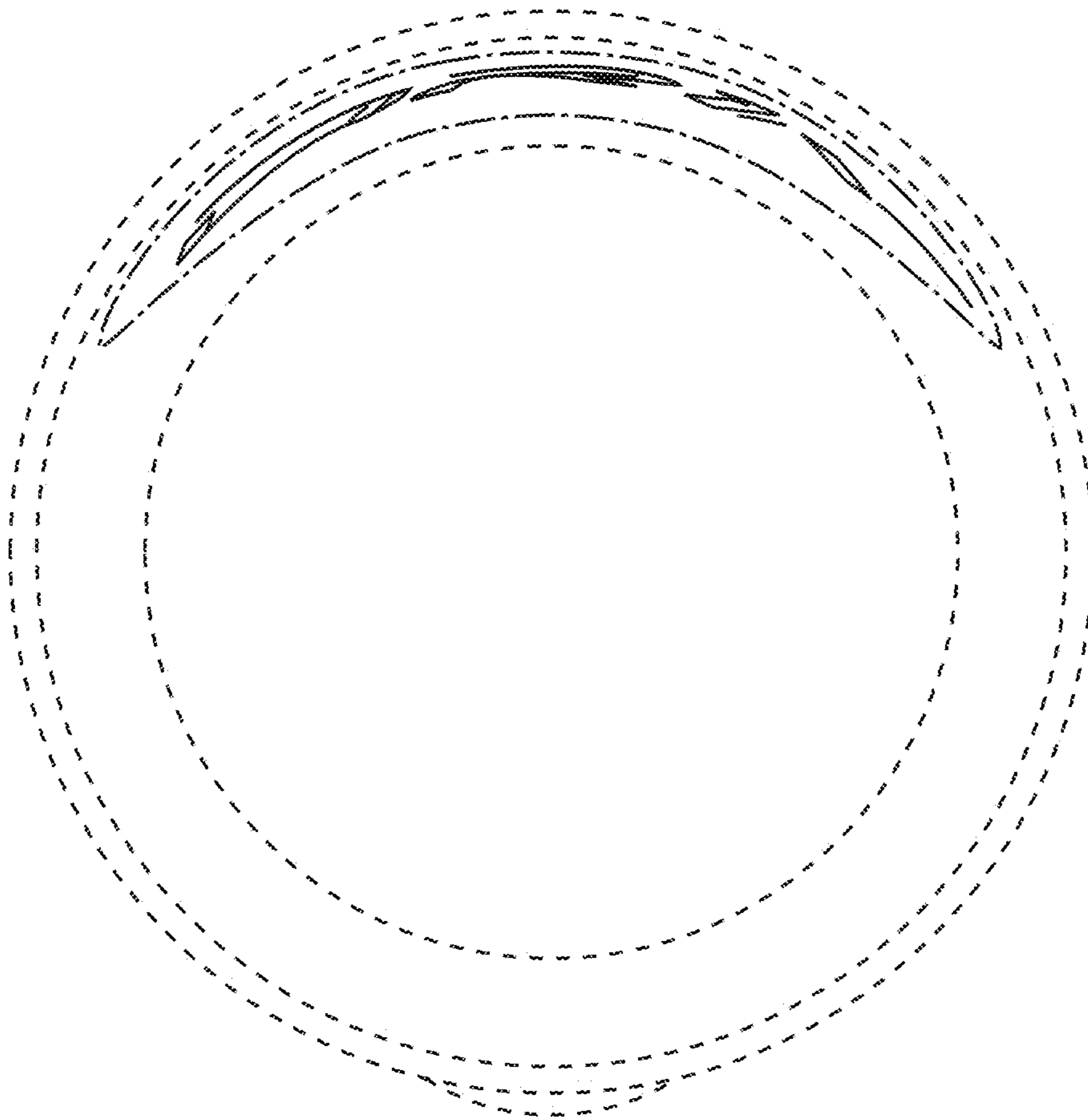


FIG. 35

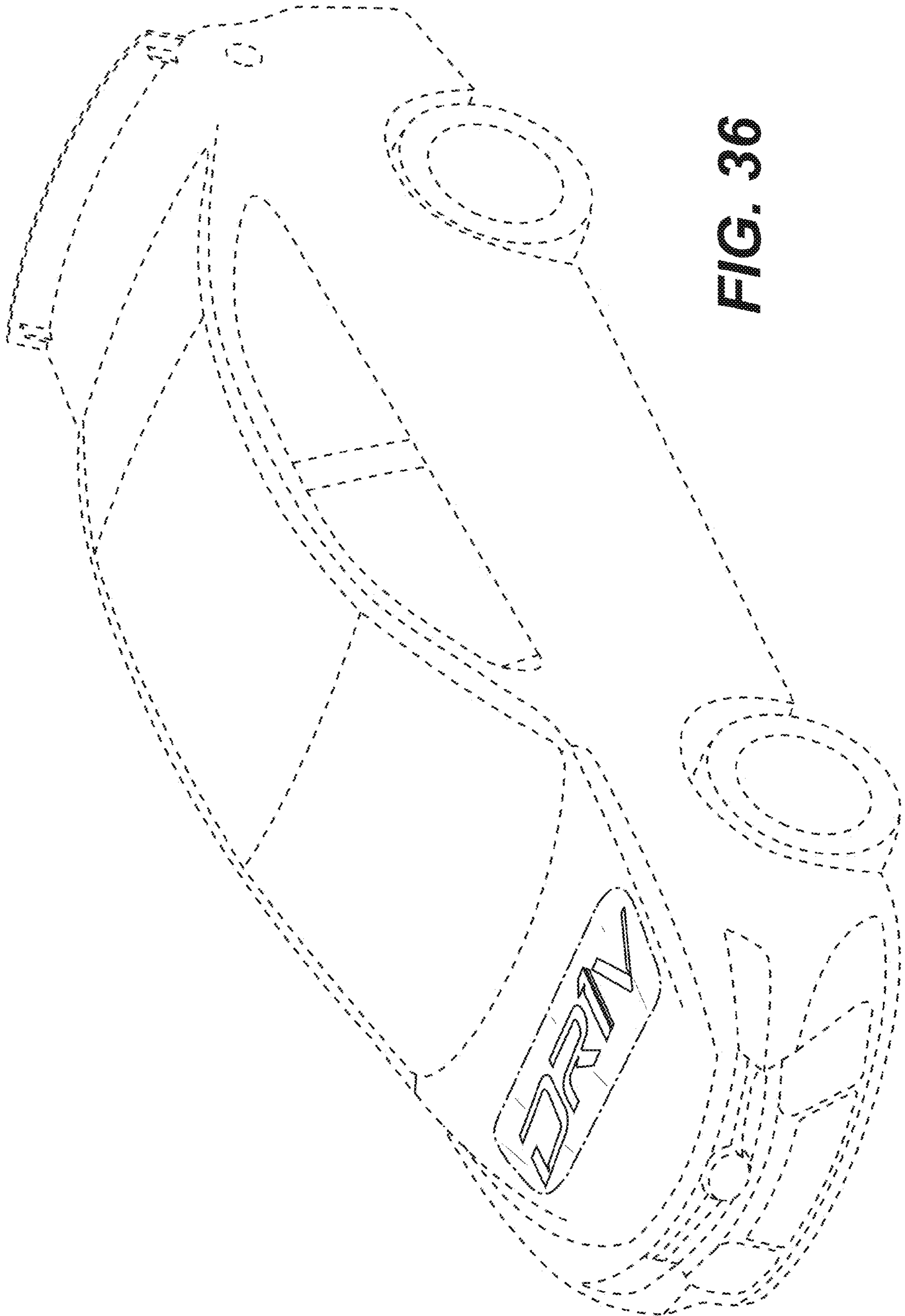


FIG. 36

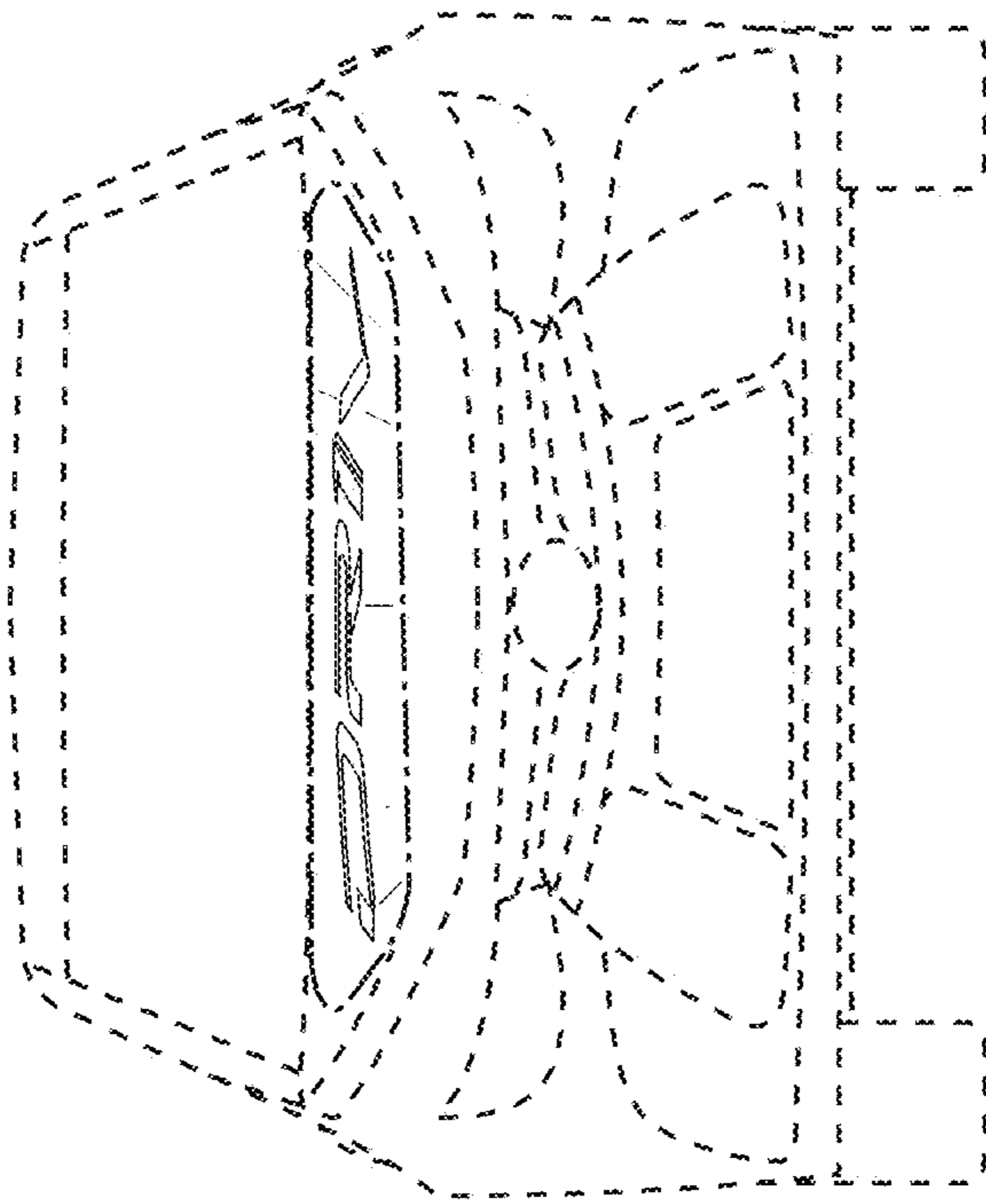


FIG. 37

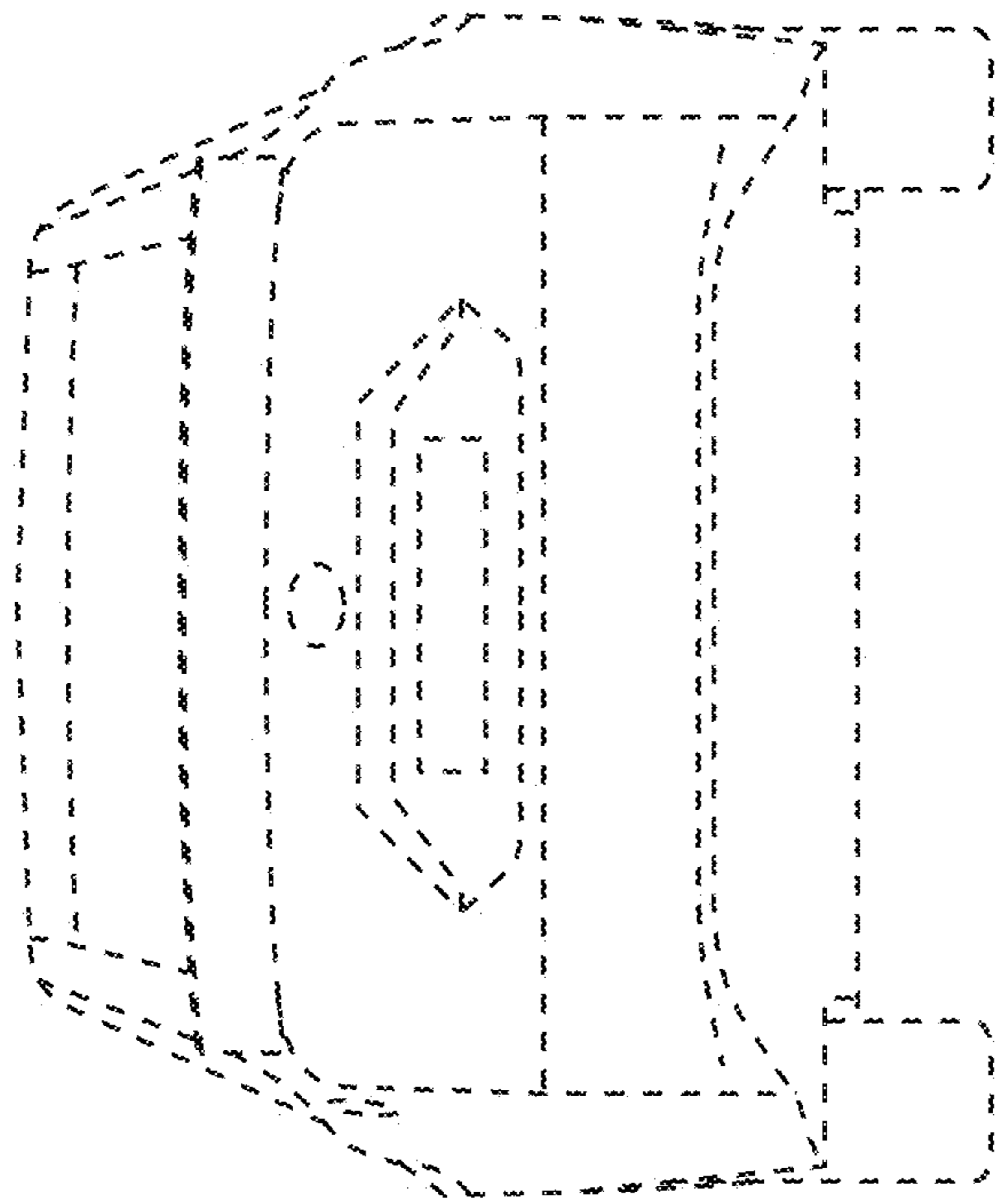


FIG. 38

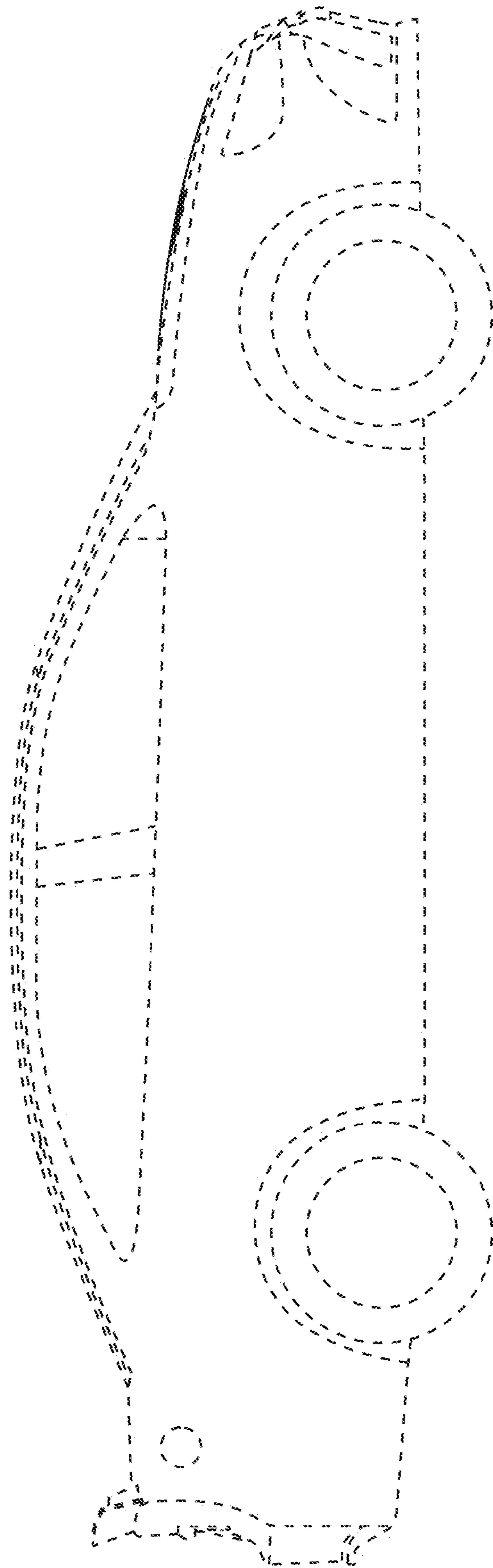


FIG. 39

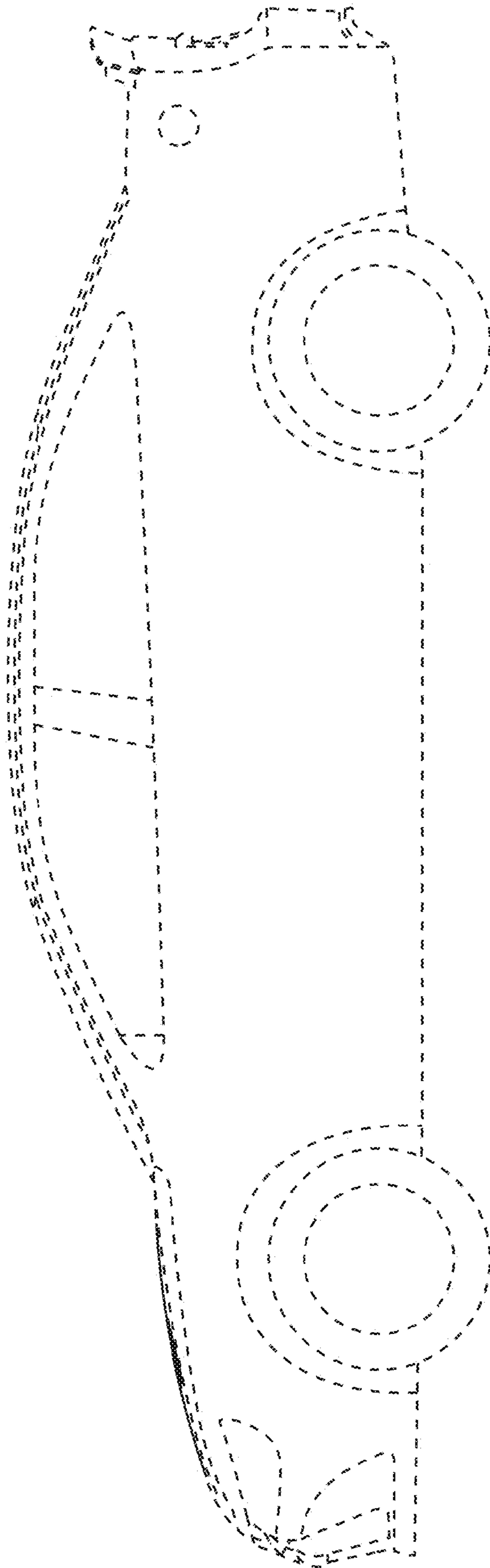


FIG. 40

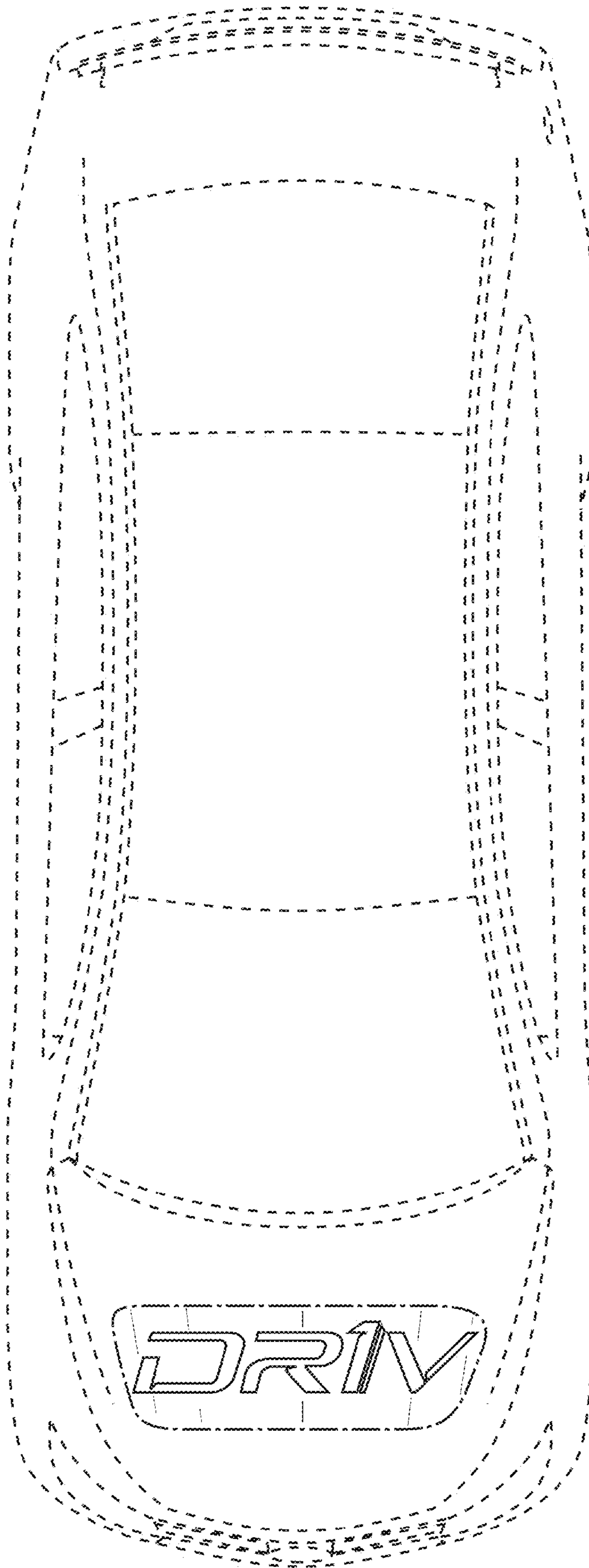


FIG. 41

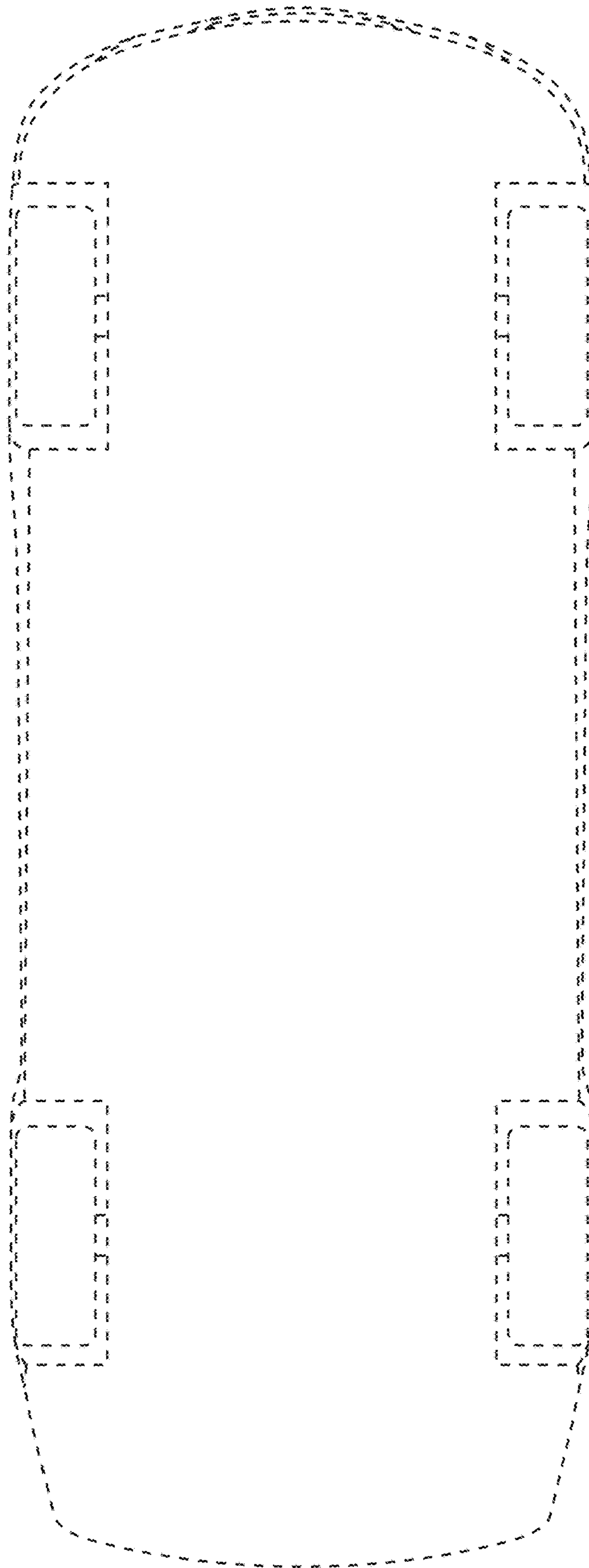


FIG. 42