



US00D928870S

(12) **United States Design Patent** (10) **Patent No.:** **US D928,870 S**
Kobayashi et al. (45) **Date of Patent:** **** Aug. 24, 2021**

(54) **TONER CARTRIDGE**

(71) Applicant: **FUJIFILM BUSINESS INNOVATION CORP.**, Tokyo (JP)

(72) Inventors: **Akihiro Kobayashi**, Yokohama (JP);
Takuji Matsumoto, Yokohama (JP);
Kazuhiko Sakai, Yokohama (JP)

(73) Assignee: **FUJIFILM Business Innovation Corp.**, Tokyo (JP)

(**) Term: **15 Years**

(21) Appl. No.: **29/689,020**

(22) Filed: **Apr. 26, 2019**

(30) **Foreign Application Priority Data**

Dec. 18, 2018 (JP) 2018-027606

(51) **LOC (13) Cl.** **16-03**

(52) **U.S. Cl.**
USPC **D18/43**

(58) **Field of Classification Search**
USPC D15/122, 135-138, 141, 66, 73, 76-78,
D15/146, 150, 143, 89; D18/53, 59, 50,
D18/14, 19, 54-57, 36-45, 34.4, 34.5,
D18/34.6, 18, 51, 34.1; D14/301-303,
D14/307, 345, 420-425, 462; D6/691.4,
D6/675, 708, 671, 520-523, 580;
D34/35, 29, 1; D7/700, 554.3, 637;
D3/304, 313; D9/424; D8/313, 314,
D8/301, 380, 382, 358, 354; D10/119.1;
D32/19, 25, 32, 21; D4/128, 102, 122;
D25/157, 160, 162, 119; D19/1, 5, 113,
D19/190, 191, 104, 107, 192, 202, 99,
D19/100
CPC B41J 2/14; B41J 2/01; B41J 2/22; B41J
1/54; B41J 3/4073; B41J 3/4078; B41F
17/22; B41F 17/003; B41F 17/38; B28B
1/001; B65H 5/02; G03G 15/08; G03G
15/0891; G03G 15/0875; G03G
2215/0827; G03G 2215/0855; G03G
21/1842

See application file for complete search history.

(56) **References Cited**

U.S. PATENT DOCUMENTS

D531,660 S	*	11/2006	Ishii	D18/43
D636,017 S	*	4/2011	Takiguchi	D18/43
D637,225 S	*	5/2011	Kishi	D18/43
D652,862 S	*	1/2012	Mori	D18/43
D718,380 S	*	11/2014	Mori	D18/43

(Continued)

Primary Examiner — George A Bugg

Assistant Examiner — Mary Claire Ramirez

(74) *Attorney, Agent, or Firm* — Oliff PLC

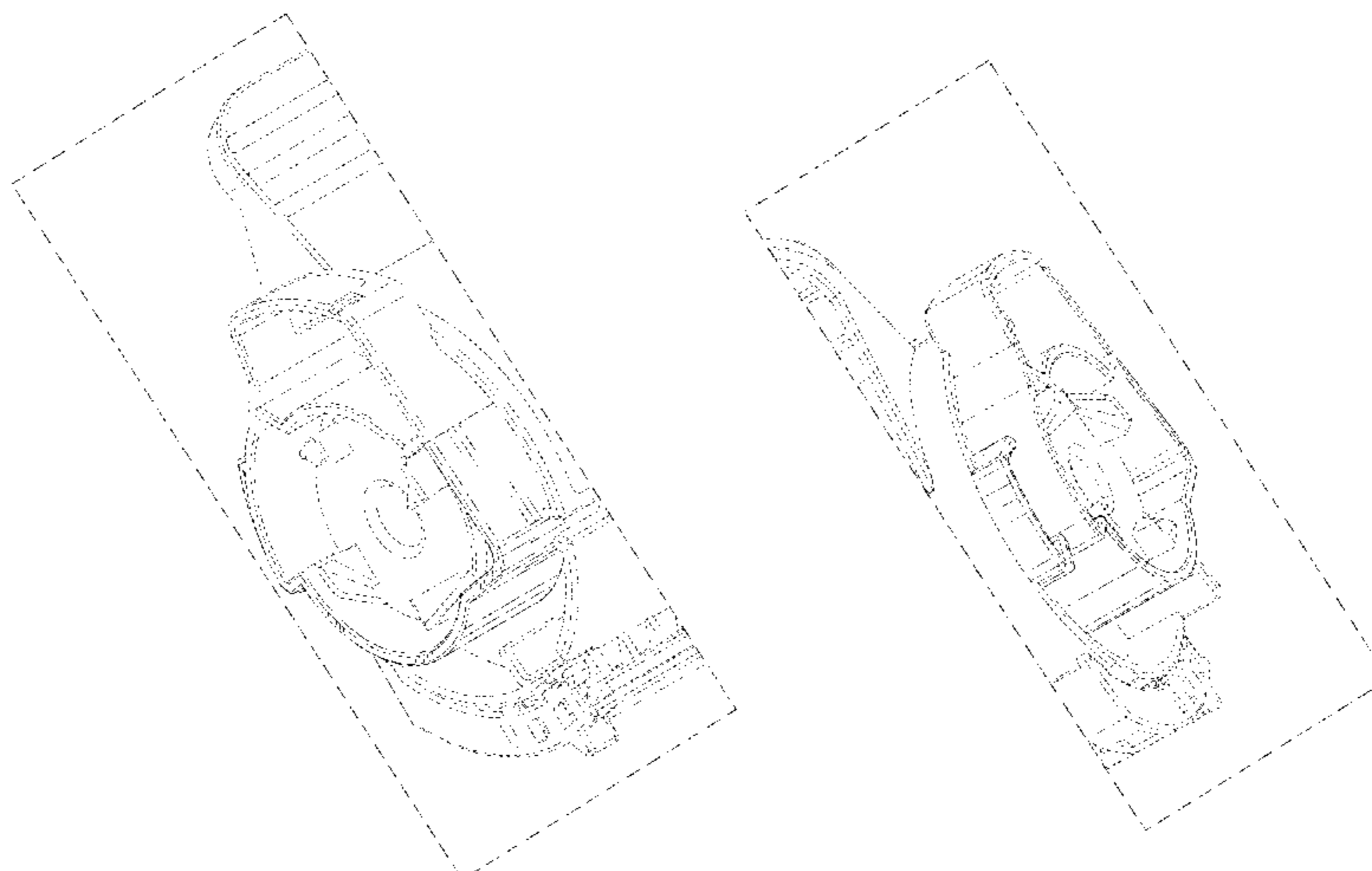
(57) **CLAIM**

The ornamental design for a toner cartridge, as shown and described.

DESCRIPTION

FIG. 1 is a front, left bottom perspective view of a toner cartridge showing an embodiment of our new design;
 FIG. 2 is a rear, left, top perspective view thereof;
 FIG. 3 is a front view thereof;
 FIG. 4 is a rear side view thereof;
 FIG. 5 is a left side view thereof;
 FIG. 6 is a right side view thereof;
 FIG. 7 is a top plan view thereof;
 FIG. 8 is a bottom plan view thereof;
 FIG. 9 is an enlarged left side view thereof;
 FIG. 10 is an enlarged view of the portion of the toner cartridge defined by the area 10 in FIG. 1; and,
 FIG. 11 is an enlarged view of the portion of the toner cartridge defined by the area 11 in FIG. 2.
 The broken lines shown in the drawings depict portions of the toner cartridge that form no part of the claimed design. The dashed-dotted lines define the bounds of the claimed design and form no part thereof.

1 Claim, 10 Drawing Sheets



(56)

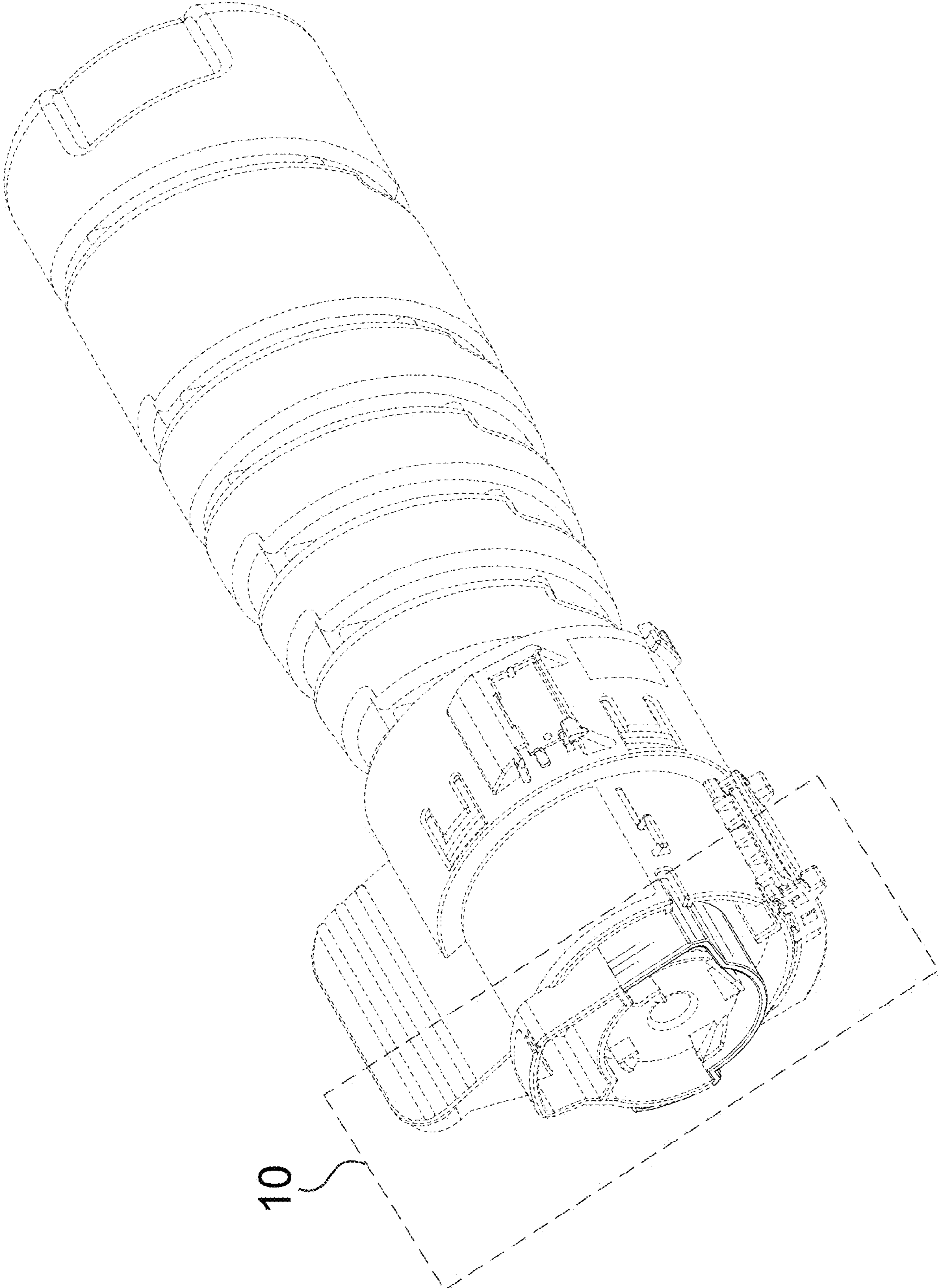
References Cited

U.S. PATENT DOCUMENTS

D718,381 S *	11/2014	Itabashi	D18/43
D723,613 S *	3/2015	Shimizu	D18/43
D740,356 S *	10/2015	Kikuchi	D18/43
D791,866 S *	7/2017	Kamoshida	D18/43
D795,339 S *	8/2017	Kuboki	D18/43
D796,573 S *	9/2017	Li	D18/43
D828,868 S *	9/2018	Kubo	D18/43
D829,813 S *	10/2018	Kubo	D18/43
D829,814 S *	10/2018	Kubo	D18/43
D894,268 S *	8/2020	Hashimoto	D18/43

* cited by examiner

FIG. 1



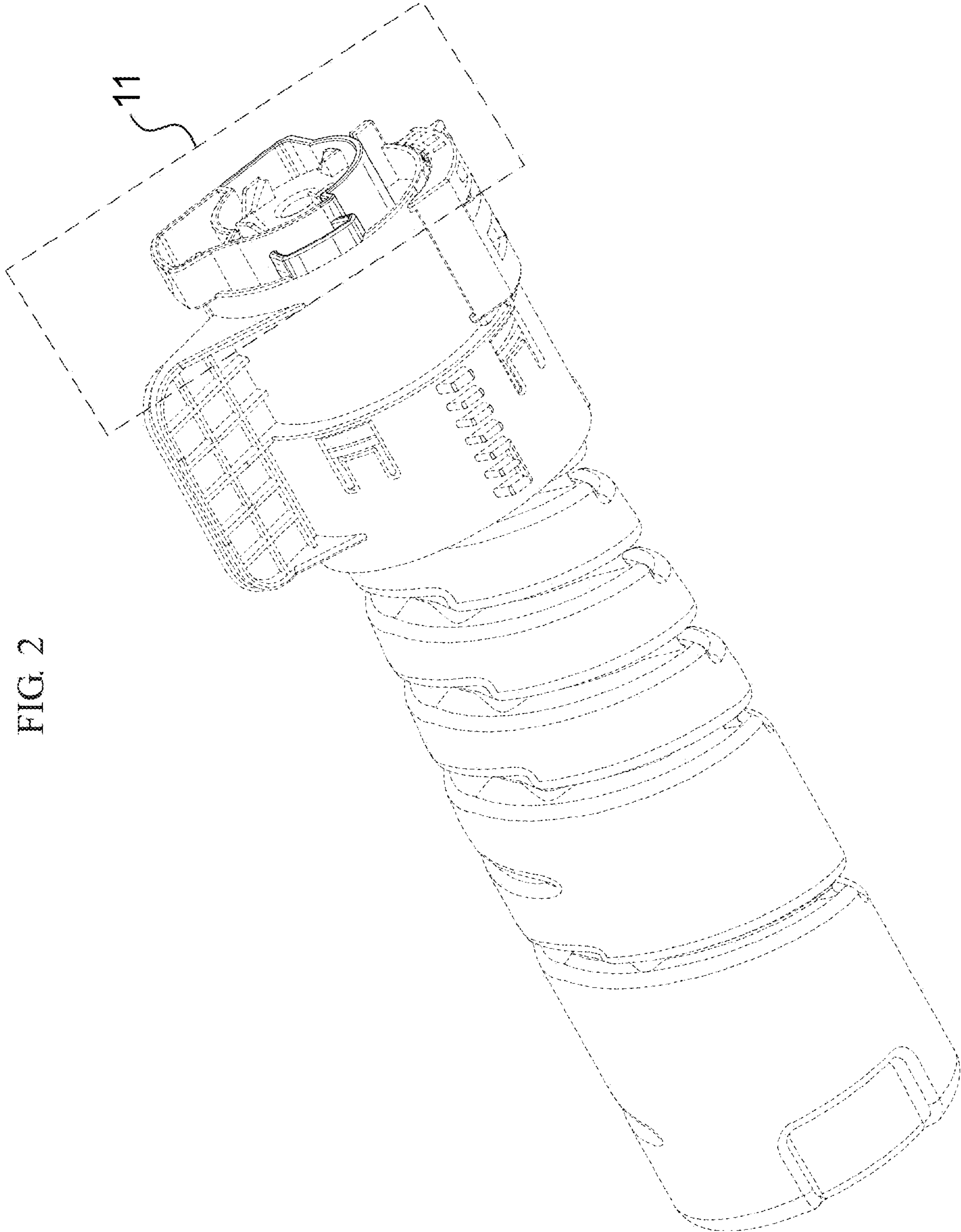


FIG. 2

FIG. 3

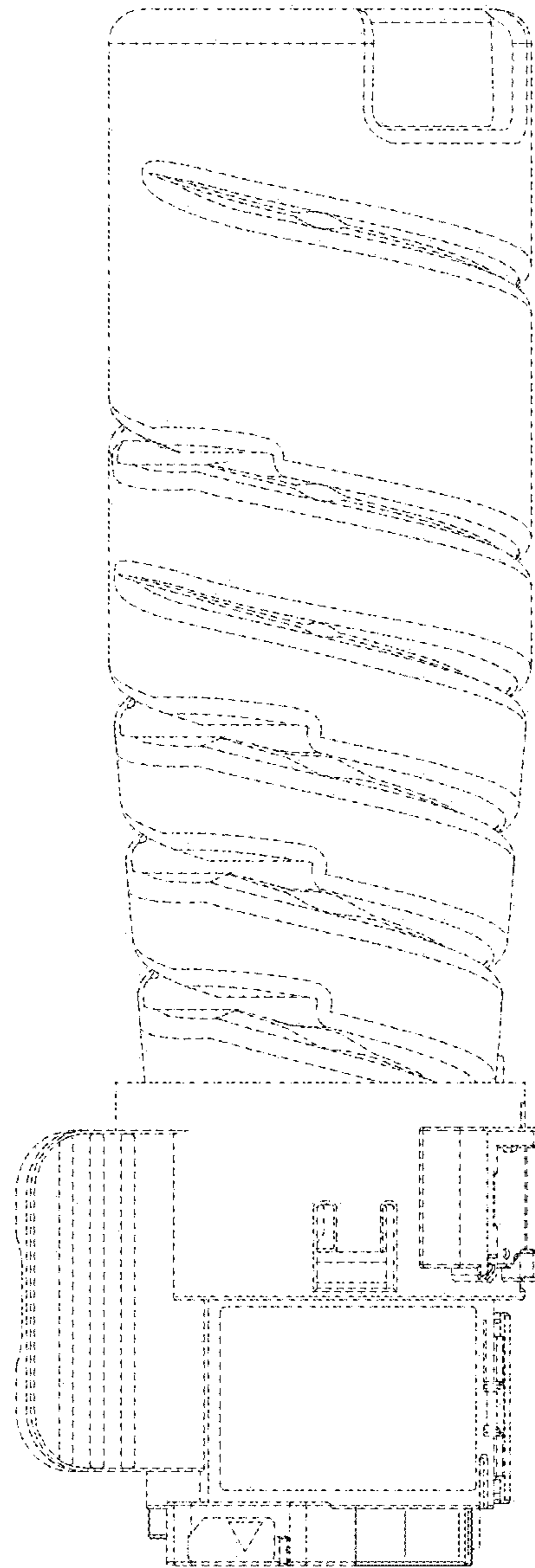


FIG. 4

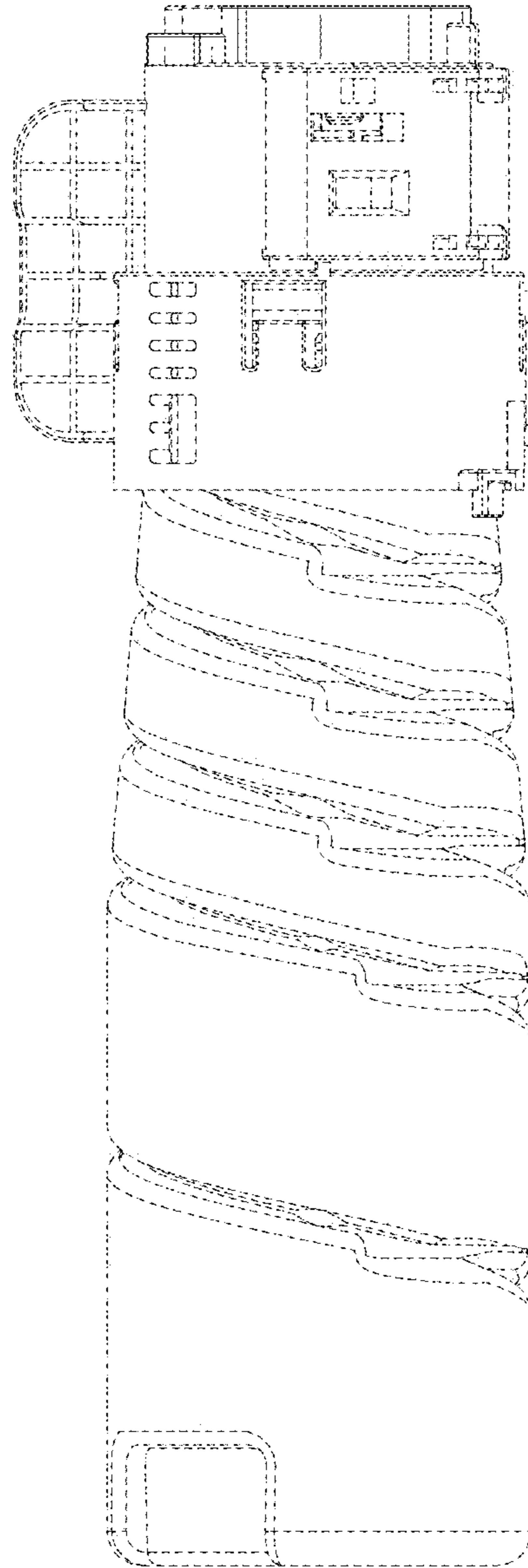


FIG. 6

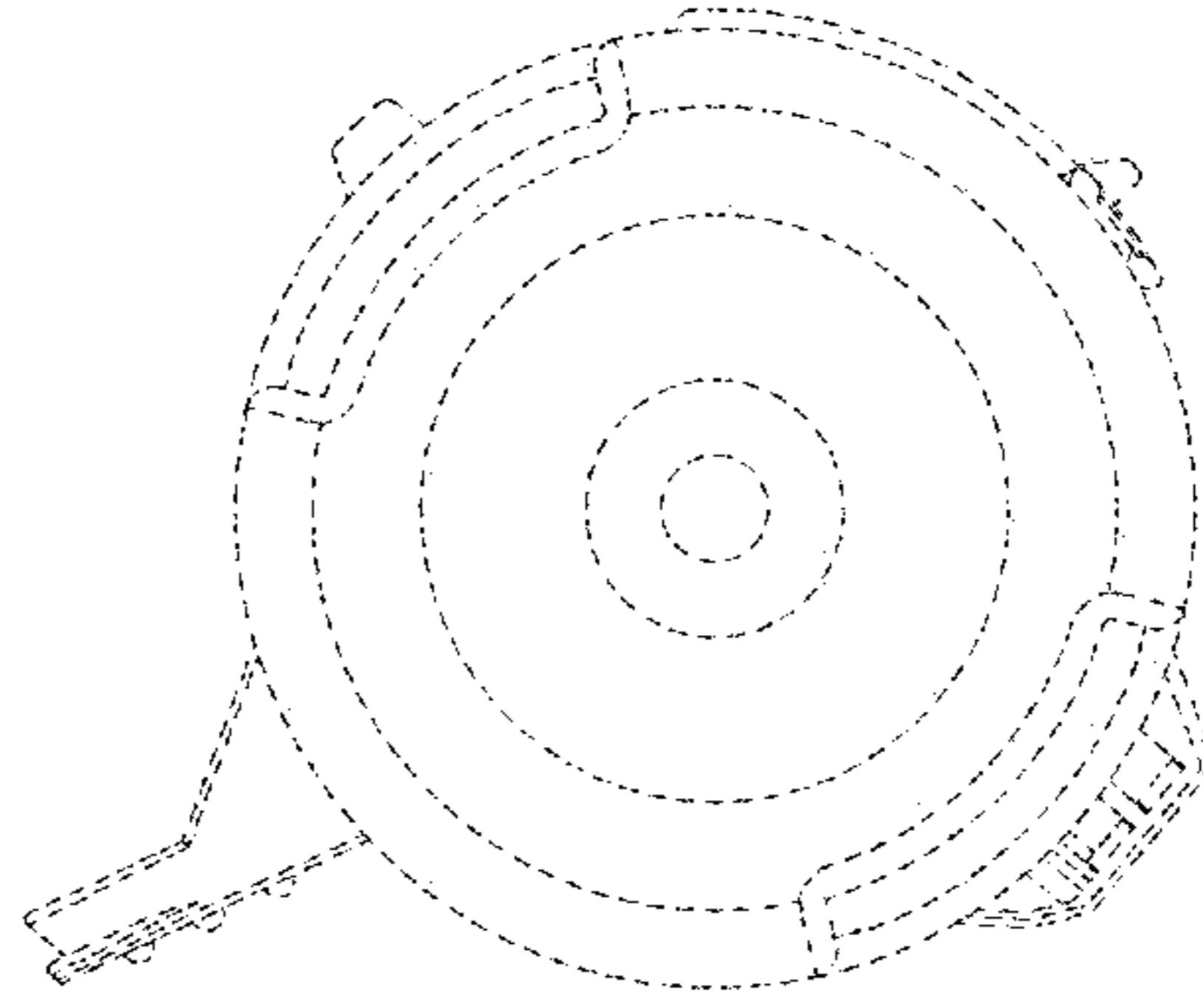


FIG. 5

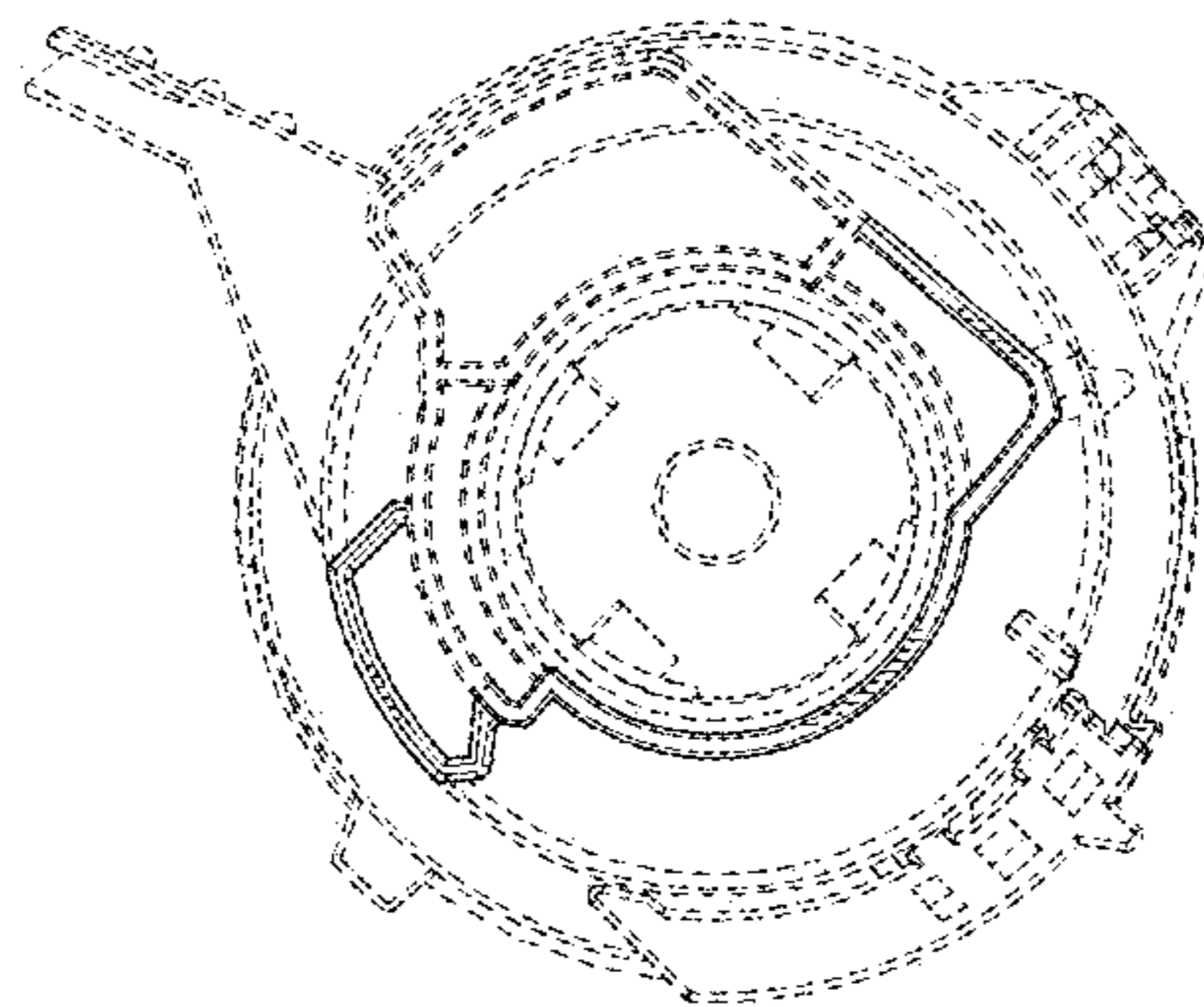


FIG. 7

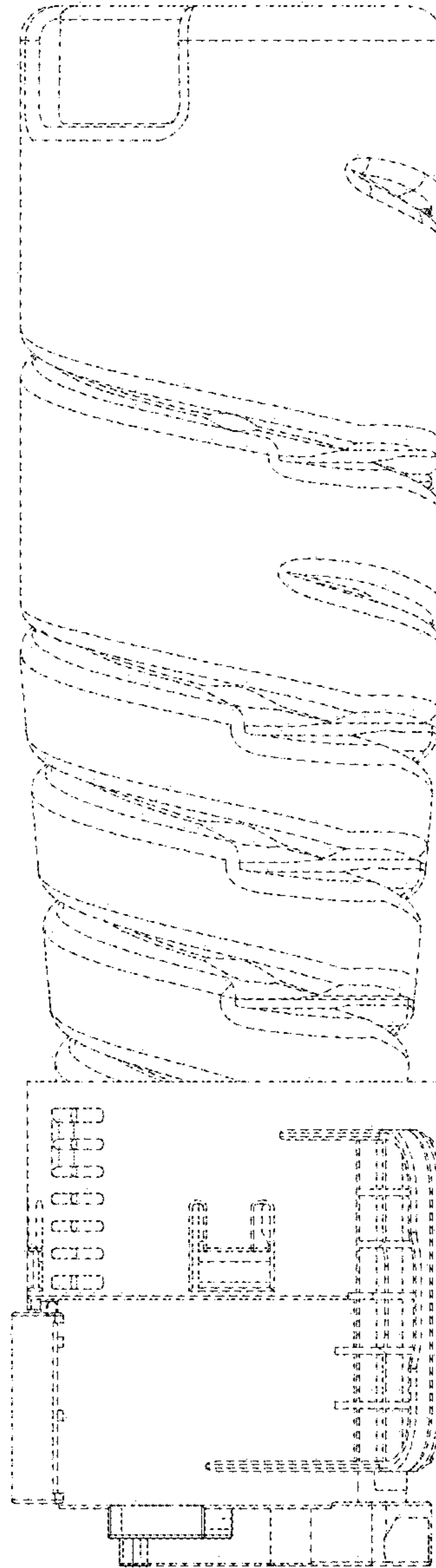


FIG. 8

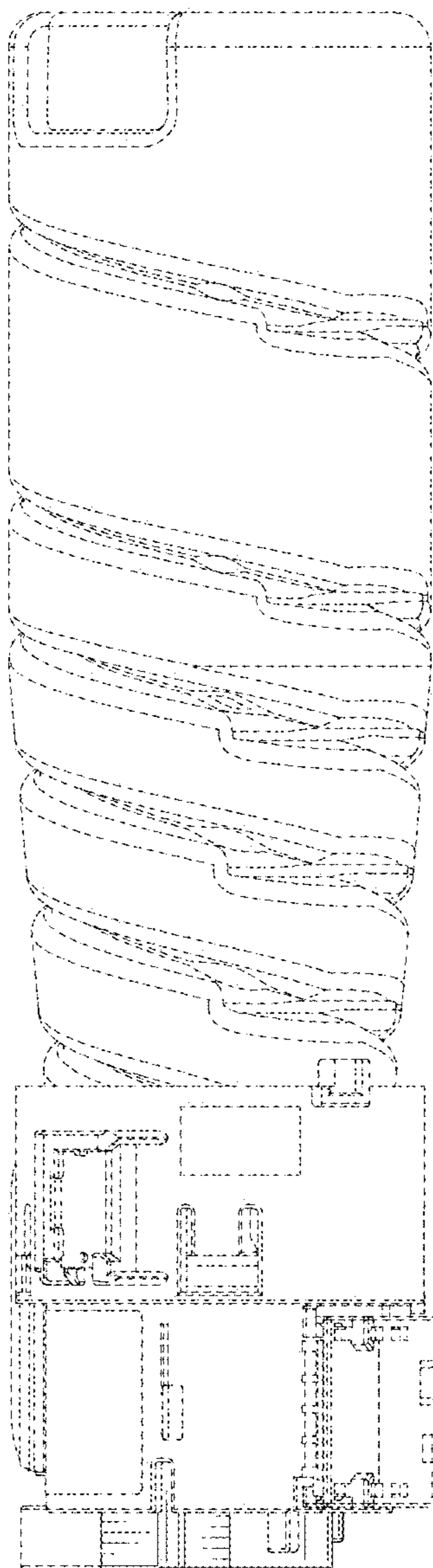


FIG. 9

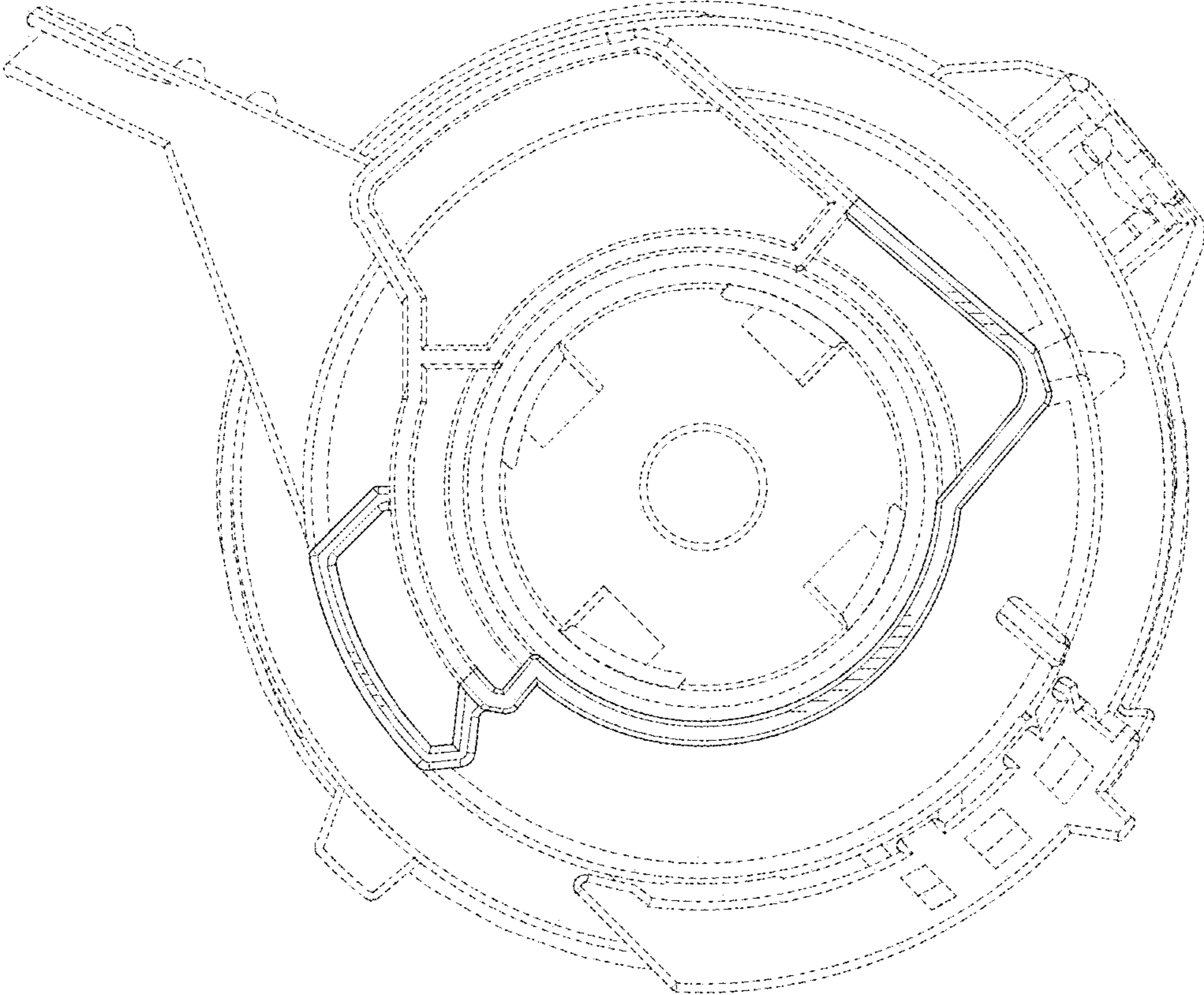


FIG. 10

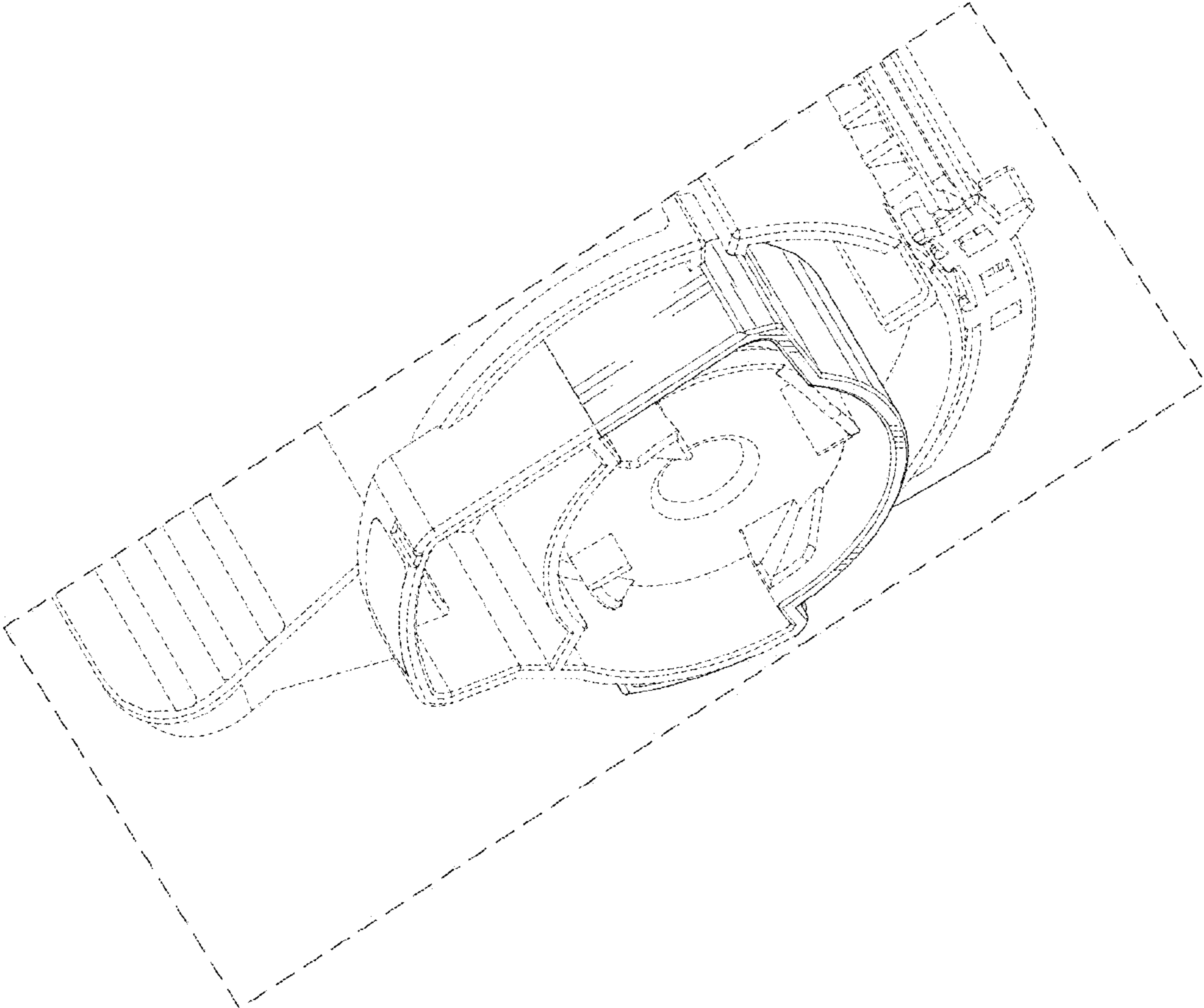


FIG. 11

