



US00D928869S

(12) **United States Design Patent**
Zhang

(10) **Patent No.:** **US D928,869 S**

(45) **Date of Patent:** **** Aug. 24, 2021**

(54) **PAYMENT MACHINE**

(71) Applicant: **ADVANCED NEW TECHNOLOGIES CO., LTD.**, Grand Cayman (KY)

(72) Inventor: **Zhenwei Zhang**, Hangzhou (CN)

(73) Assignee: **Advanced New Technologies Co., Ltd.**, Grand Cayman (KY)

(**) Term: **15 Years**

(21) Appl. No.: **29/689,809**

(22) Filed: **May 2, 2019**

(30) **Foreign Application Priority Data**

Nov. 6, 2018 (CN) 201830625065.4

(51) **LOC (13) Cl.** **18-01**

(52) **U.S. Cl.**
USPC **D18/4.5**

(58) **Field of Classification Search**
USPC D18/4.4, 4.5, 4.6, 2, 11, 50, 14, 19-21, D18/54, 54.1, 99, 4.1, 4.3; D10/46, 61, D10/62, 70, 104.1, 104.2, 106.2, 106.6, D10/65, 66; D20/1, 8, 9, 10; D14/300, D14/307, 314, 328, 332-340, 356, 383, D14/385, 386, 453, 496, 507, 509, 510, D14/168, 299, 447, 457, 126, 129, 371, D14/125, 376, 216, 900, 902; D99/28, D99/43

CPC H04W 8/22; H04W 52/0225; H04W 52/0254; G06Q 20/00; G06Q 20/08; G06Q 20/18; G06Q 20/20; G06Q 20/204; G07F 7/0873; G07F 7/088; G07F 7/0886; G07F 7/0893; G07F 7/025

See application file for complete search history.

(56) **References Cited**

U.S. PATENT DOCUMENTS

D323,085 S * 1/1992 Konkel 248/158
D462,983 S * 9/2002 Lum D18/12.3

D588,630 S * 3/2009 Erzen D18/4.6
D725,108 S * 3/2015 Yeon D14/376
D735,802 S * 8/2015 Lyons D18/4.5
D746,902 S * 1/2016 Lyons D18/4.5

(Continued)

FOREIGN PATENT DOCUMENTS

CN 302630633 S 11/2013
CN 209401037 U * 9/2019
JP 1618134 S 11/2018

OTHER PUBLICATIONS

Payment terminals, [online PDF of Foreign Prior Art references selected by Examiner] 81 pgs. Print Dates range May 5, 2019-Aug. 4, 2020 [Retrieved Jan. 29, 2021] <https://www.orbit.com/export/QPTUJ214/pdf2/3d5683c3-3027-4f0a-9789-13be51a4b197-213628.pdf>.*

Primary Examiner — Marie D. Fast Horse

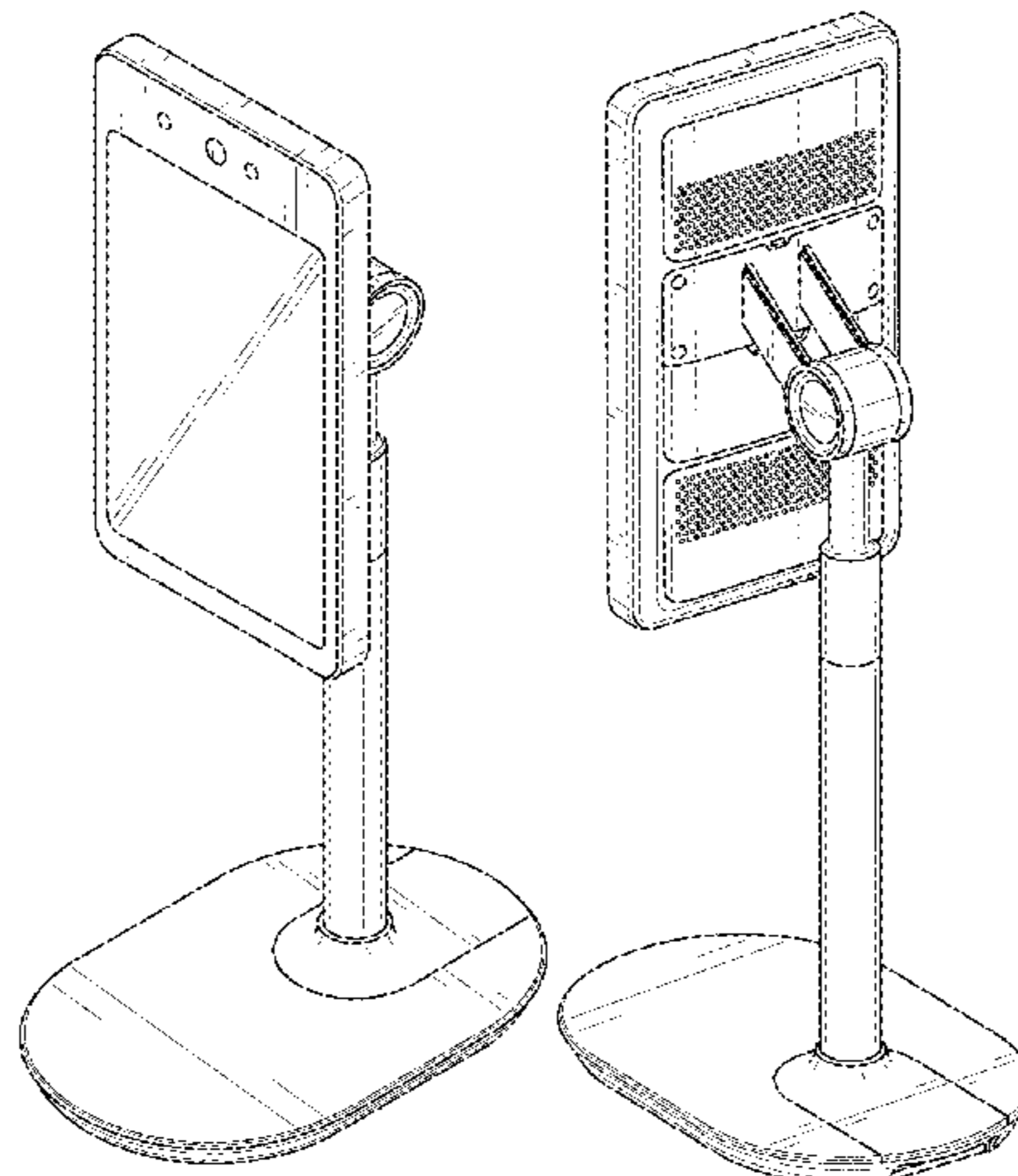
(57) **CLAIM**

The ornamental design for a payment machine, as shown and described.

DESCRIPTION

FIG. 1 is a front view showing an embodiment of the payment machine;
FIG. 2 is a rear view thereof;
FIG. 3 is a left-side view thereof;
FIG. 4 is a right-side view thereof;
FIG. 5 is a top view thereof;
FIG. 6 is a bottom view thereof;
FIG. 7 is a front-right perspective view thereof; and,
FIG. 8 is a rear-left perspective view thereof.
The broken lines in the drawings depict parts of the payment machine that form no part of the claim. Any shading and cross-hatching are not features of the design but are utilized to illustrate the surface contours of the payment machine in the drawings.

1 Claim, 7 Drawing Sheets



(56)

References Cited

U.S. PATENT DOCUMENTS

D791,861 S *	7/2017	Battle	D18/4.5
D792,415 S *	7/2017	Tsai	D14/447
D815,629 S *	4/2018	Jones, Sr.	D14/307
D824,354 S *	7/2018	Kymm	D14/126
D844,046 S *	3/2019	Yeruva	D18/4.5
D882,676 S *	4/2020	Sorio	D18/4.4
D884,711 S *	5/2020	Zhang	D14/447
D896,806 S *	9/2020	Zheng	D14/307
D902,217 S *	11/2020	Zhang	D14/447
D902,296 S *	11/2020	Cathala	D18/4.5
D907,038 S *	1/2021	Yeruva	D14/375

* cited by examiner

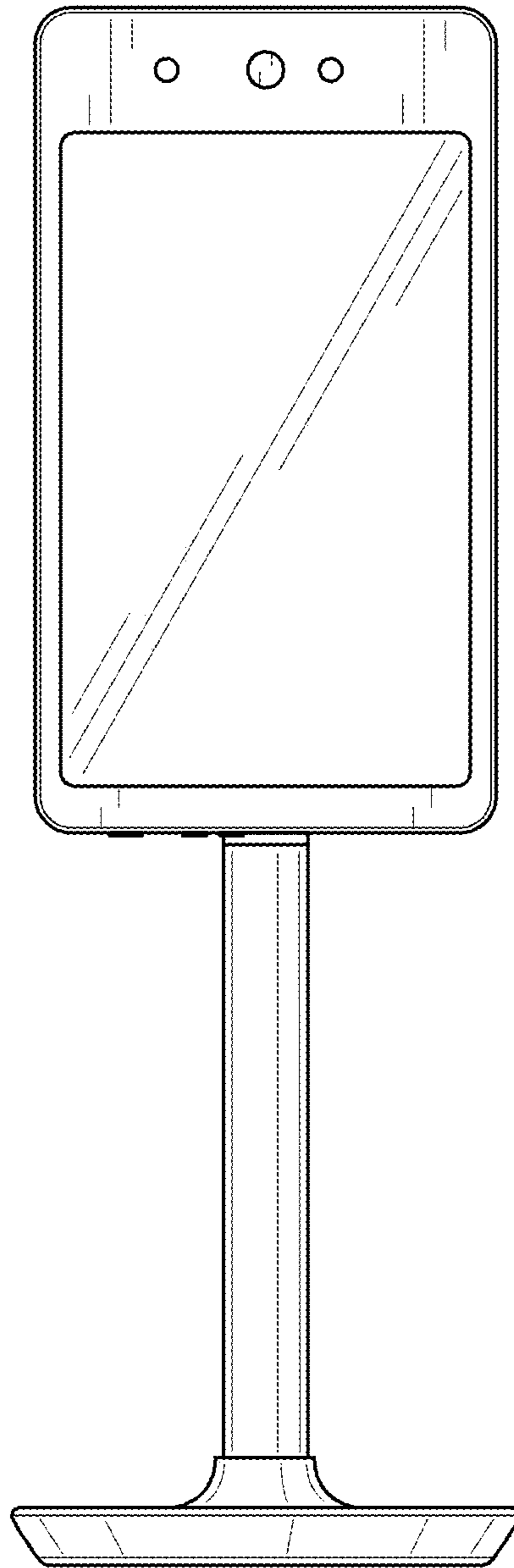


FIG. 1

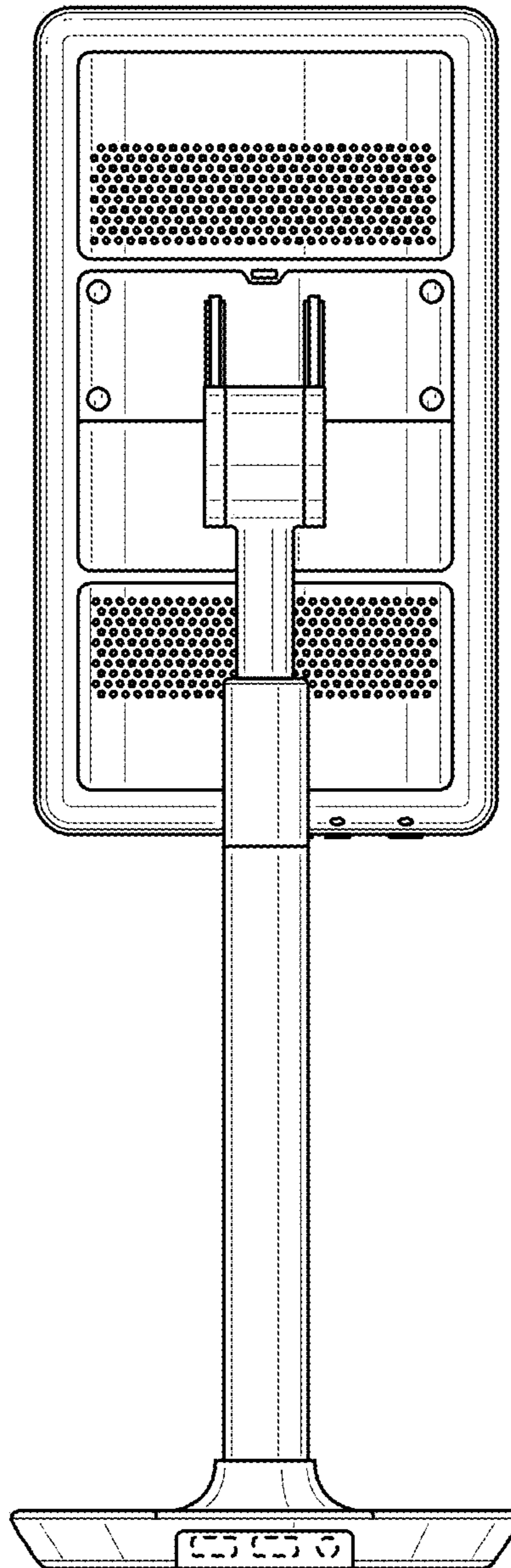


FIG. 2

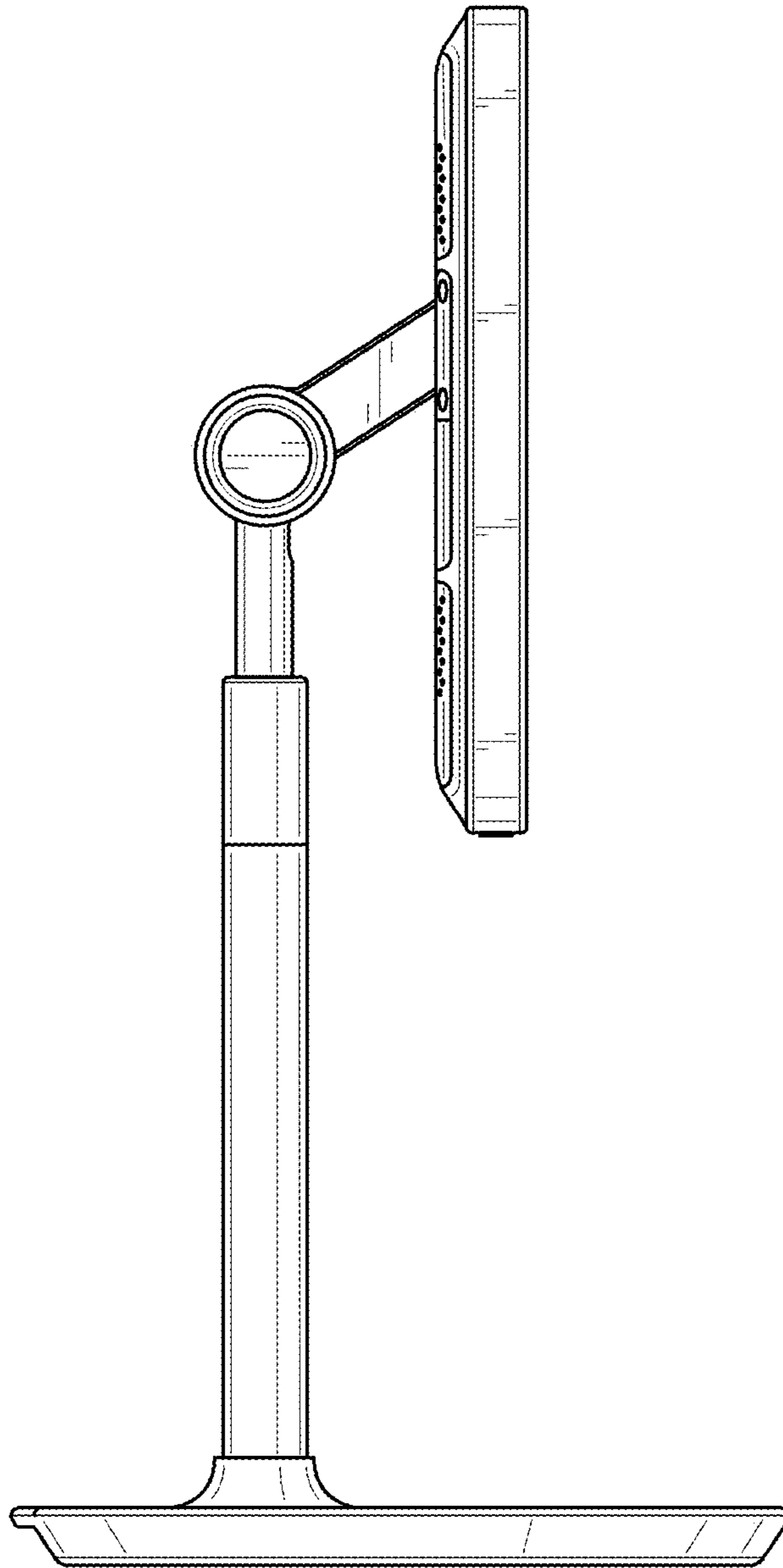


FIG. 3

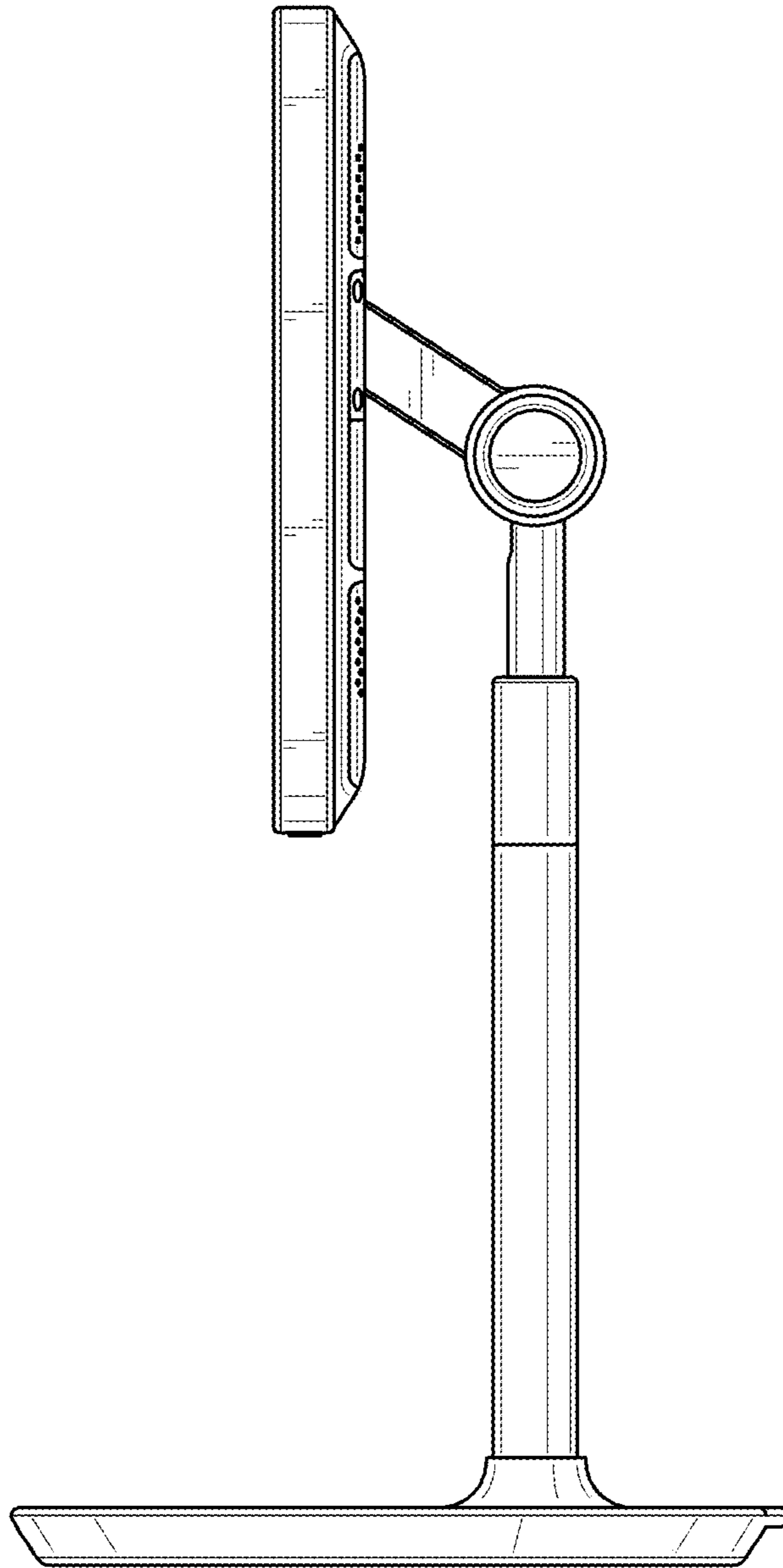


FIG. 4

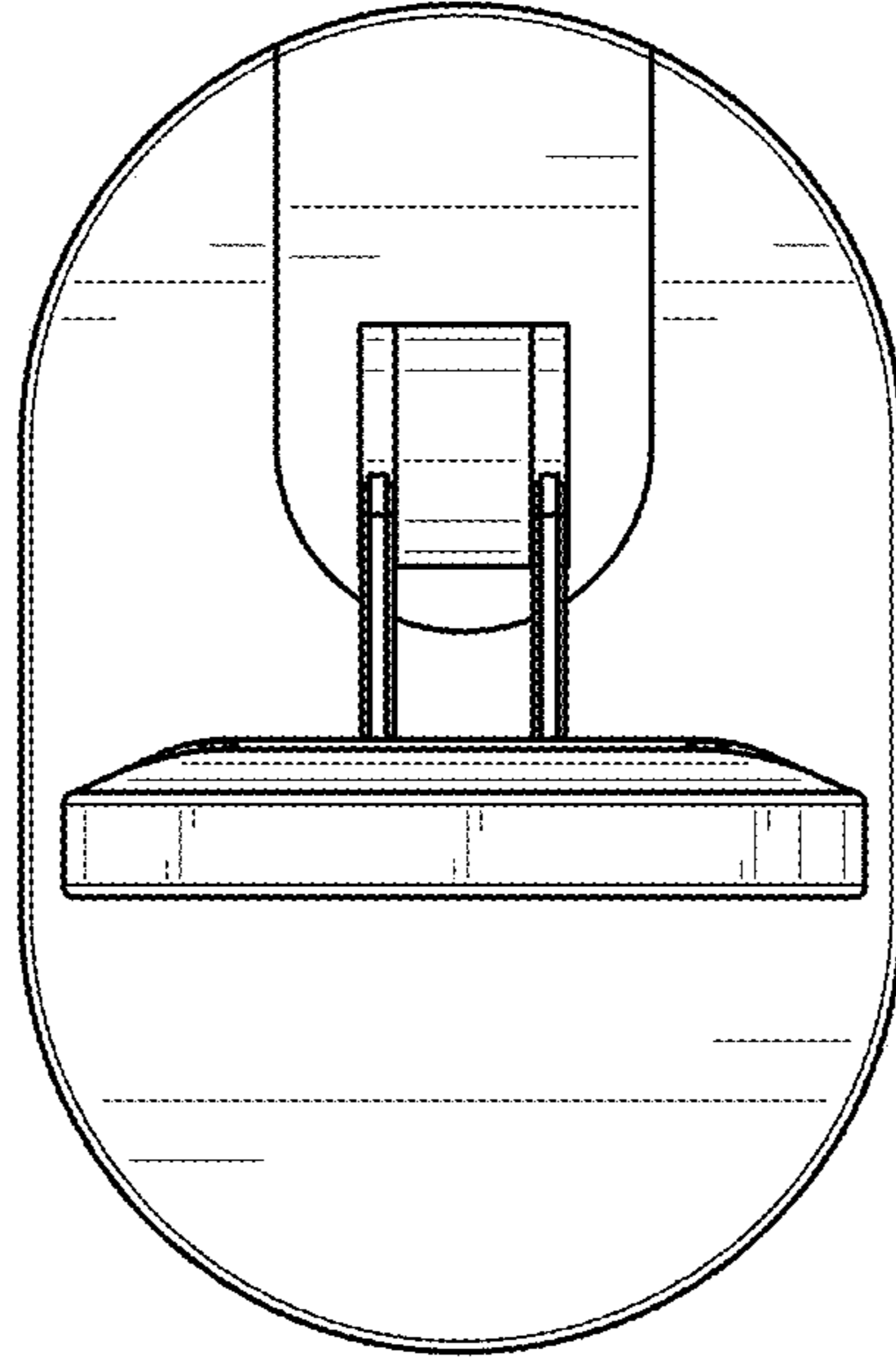


FIG. 5

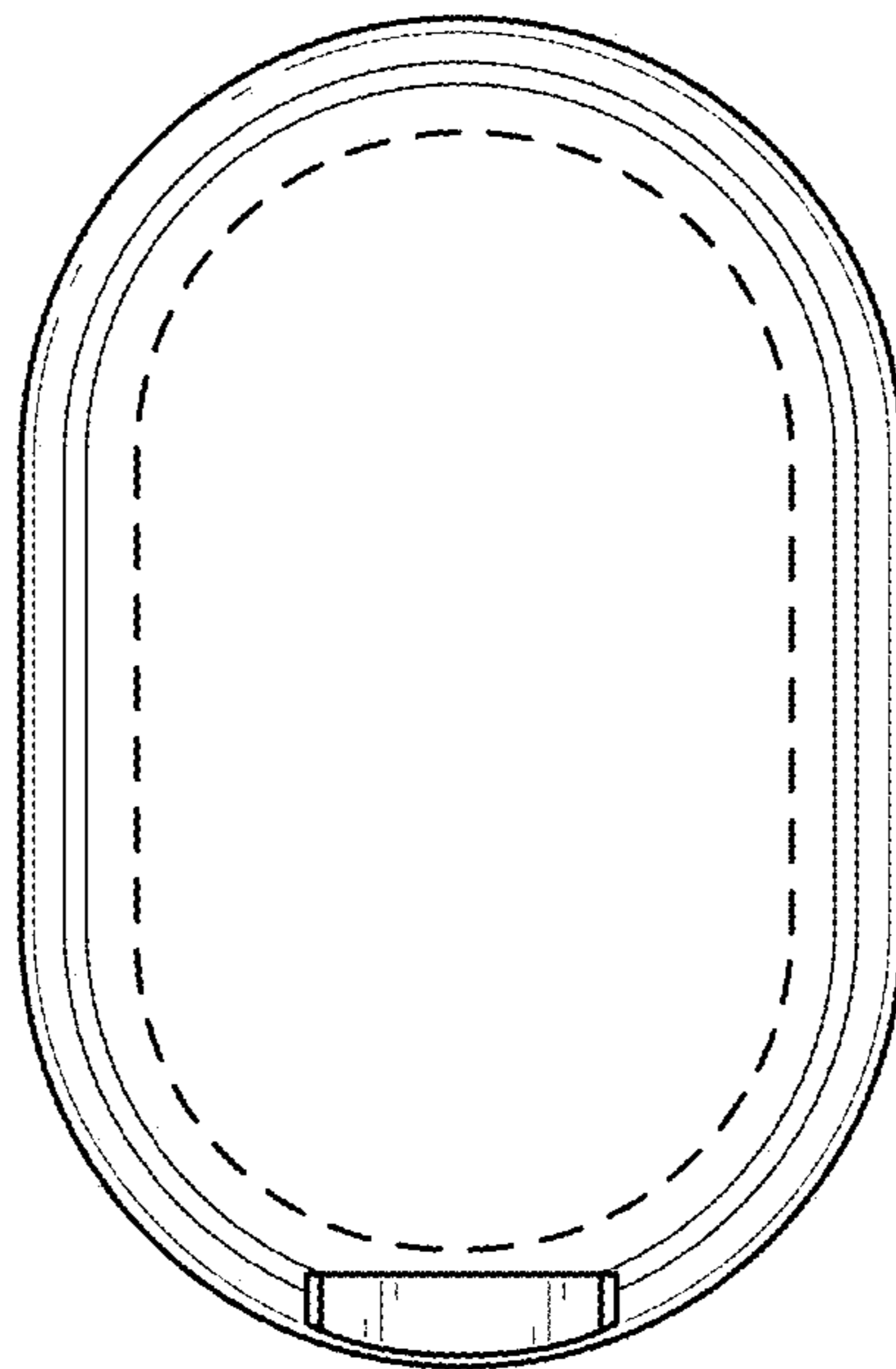


FIG. 6

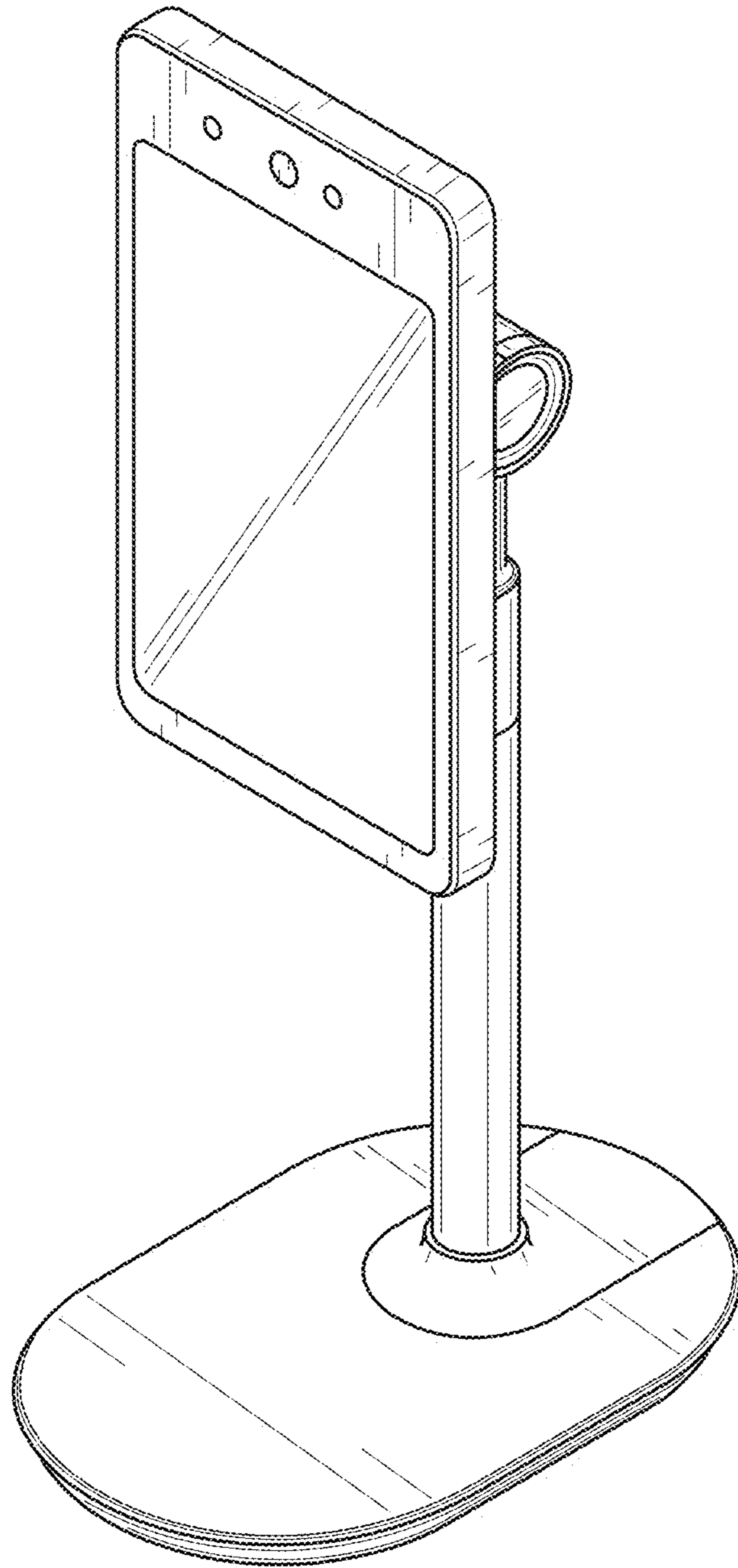


FIG. 7

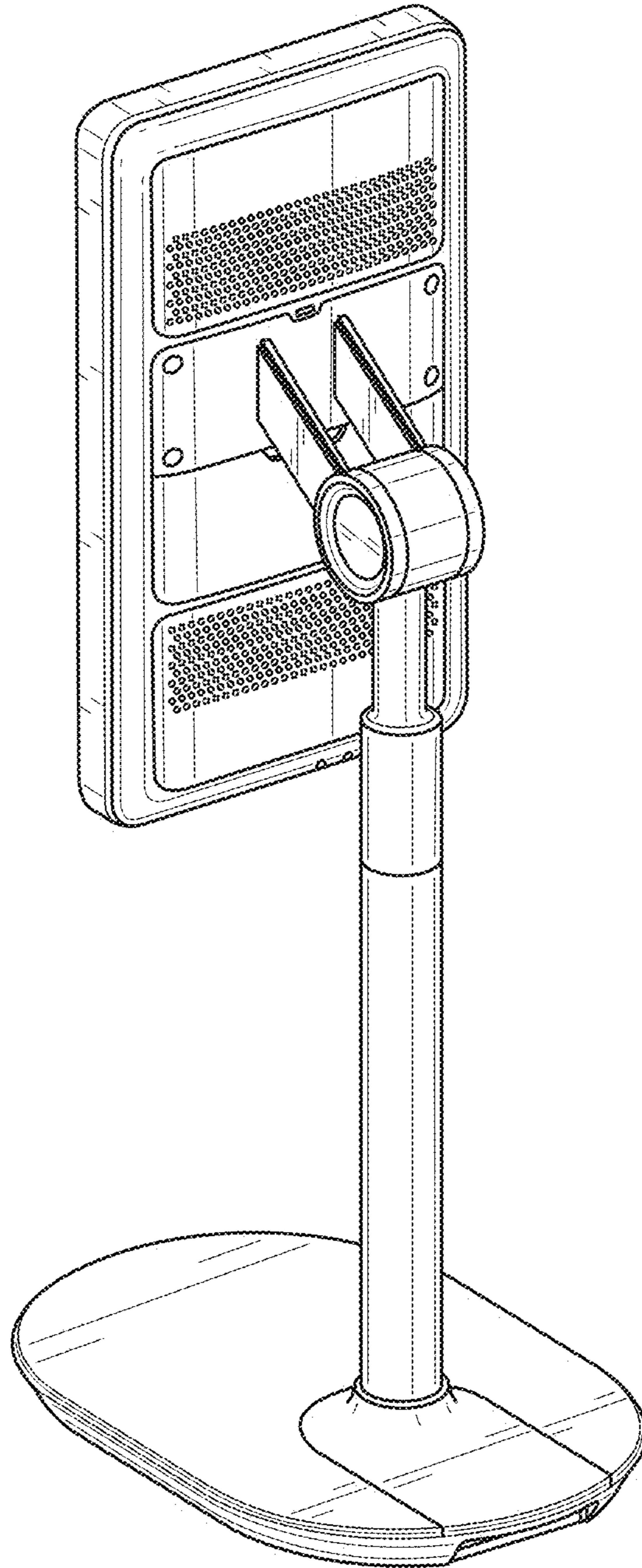


FIG. 8