



US00D928867S

(12) **United States Design Patent** (10) **Patent No.:** **US D928,867 S**
Kouthoofd (45) **Date of Patent:** **** Aug. 24, 2021**

(54) **SYNTHESIZER**

(71) Applicant: **Teenage Engineering AB**, Stockholm (SE)

(72) Inventor: **Jesper Kouthoofd**, Stockholm (SE)

(73) Assignee: **TEENAGE ENGINEERING AB**, Stockholm (SE)

(**) Term: **15 Years**

(21) Appl. No.: **29/697,132**

(22) Filed: **Jul. 3, 2019**

(30) **Foreign Application Priority Data**

Jan. 16, 2019	(EM)	006038519-0001
Jan. 16, 2019	(EM)	006038519-0002
Jan. 16, 2019	(EM)	006038519-0003
Jan. 16, 2019	(EM)	006038519-0004
Jan. 16, 2019	(EM)	006038519-0005
Jan. 16, 2019	(EM)	006038519-0006
Jan. 16, 2019	(EM)	006038519-0007

(51) **LOC (13) Cl.** **17-99**

(52) **U.S. Cl.**
USPC **D17/99; D14/158**

(58) **Field of Classification Search**
USPC D17/14, 19, 99; D21/405; D14/158, D14/172, 203.1, 203.2
CPC G10D 99/00; G10H 1/0033; G10H 1/0066; G10H 1/0575

See application file for complete search history.

(56) **References Cited**

U.S. PATENT DOCUMENTS

D291,195	S	*	8/1987	Shea	D14/158
D444,460	S	*	7/2001	Kitazawa	D14/217
D489,709	S	*	5/2004	Amiya	D14/217
D605,604	S	*	12/2009	El-Kiss	D13/163
D738,348	S	*	9/2015	Kouthoofd	D14/158
D741,282	S	*	10/2015	Kouthoofd	D14/158
D823,377	S	*	7/2018	Kitamura	D17/99
D827,611	S	*	9/2018	Kuramoto	D14/217
D843,988	S	*	3/2019	Belingheri	D14/238.1
D863,257	S	*	10/2019	Garncarz	D14/217
D881,268	S	*	4/2020	Kuramoto	D17/99
2019/0122648	A1	*	4/2019	Garncarz	G10H 1/0066

* cited by examiner

Primary Examiner — R. Johnson

(74) *Attorney, Agent, or Firm* — RMCK Law Group, PLC

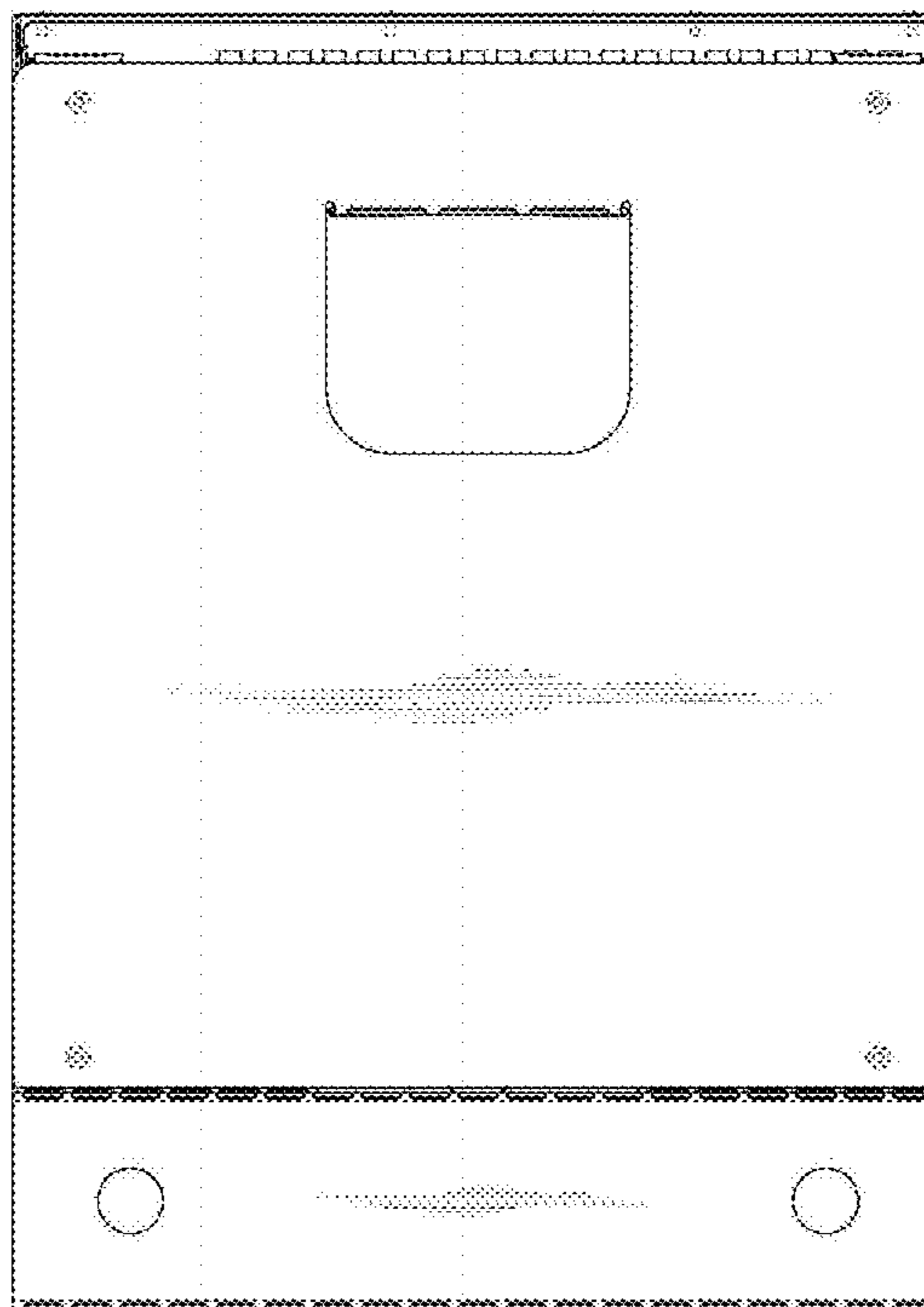
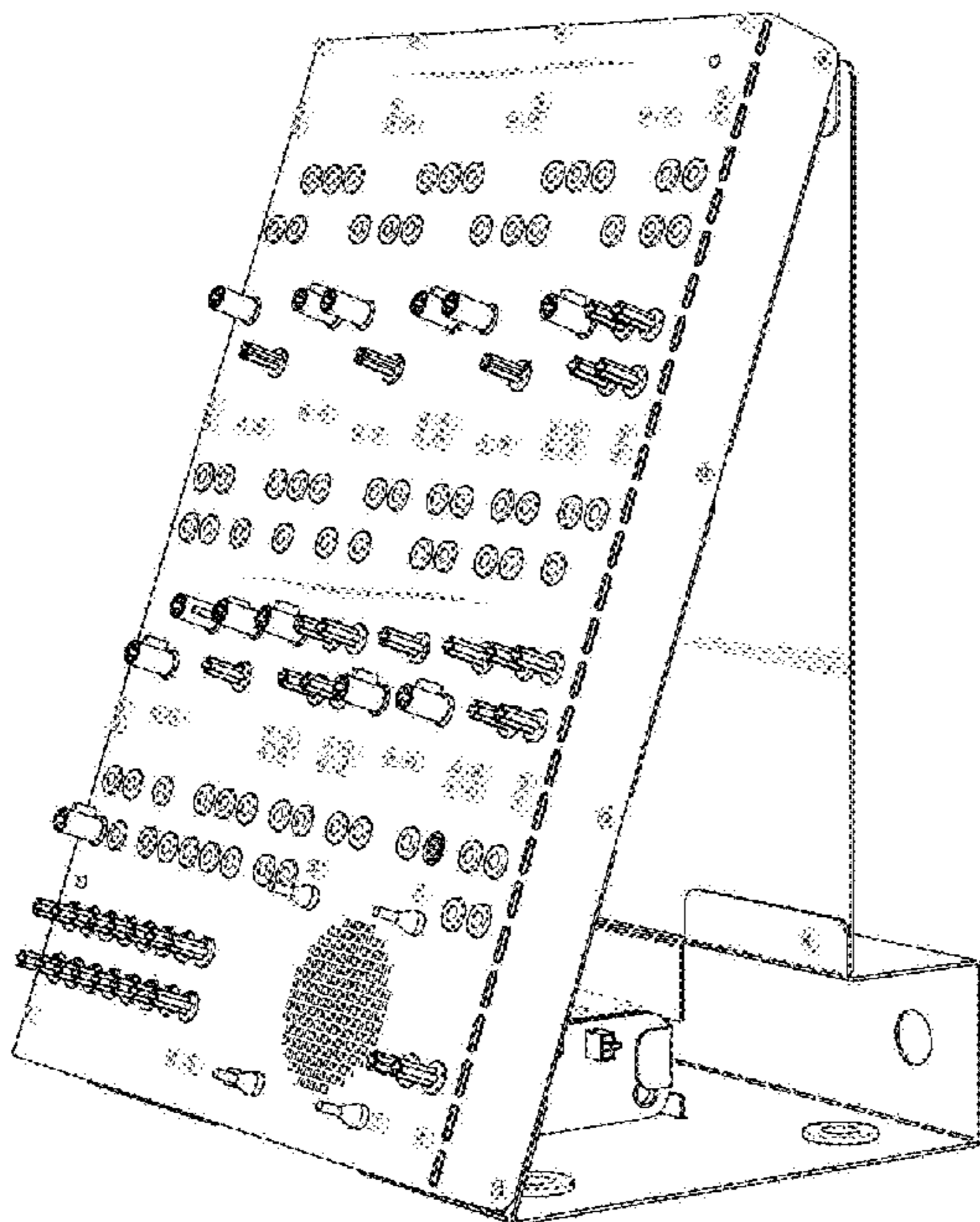
(57) **CLAIM**

The ornamental design for a synthesizer, as shown and described.

DESCRIPTION

FIG. 1 is a front perspective view of a synthesizer showing my new design;
FIG. 2 is a front elevational view thereof;
FIG. 3 is a rear elevational view thereof;
FIG. 4 is a top view thereof;
FIG. 5 is a bottom view thereof;
FIG. 6 is a left side elevational view thereof; and,
FIG. 7 is a right side elevational view.
The broken line disclosure is understood to be for illustrative purposes only and forms no part of the claimed design.

1 Claim, 7 Drawing Sheets



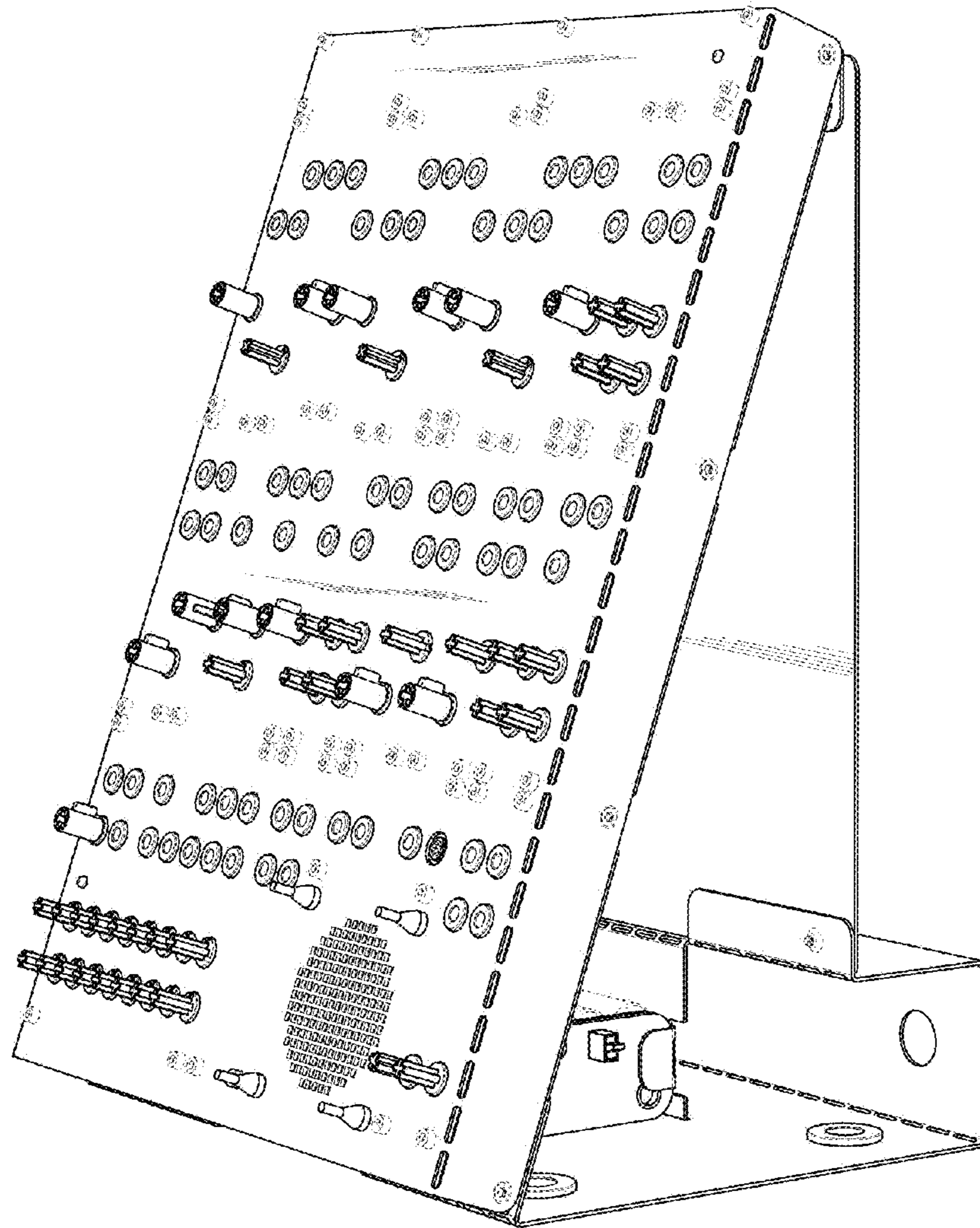


FIG. 1

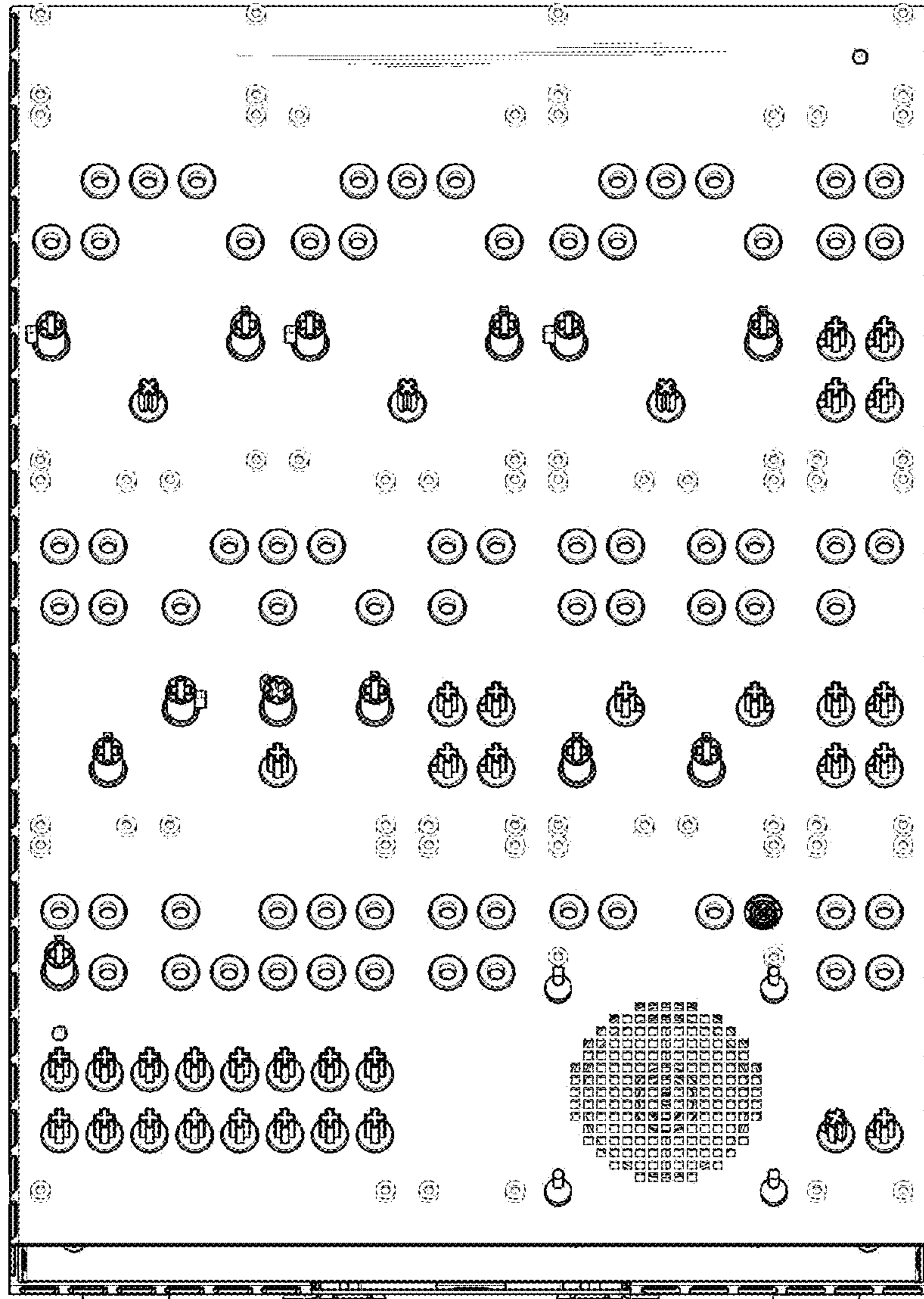


FIG. 2

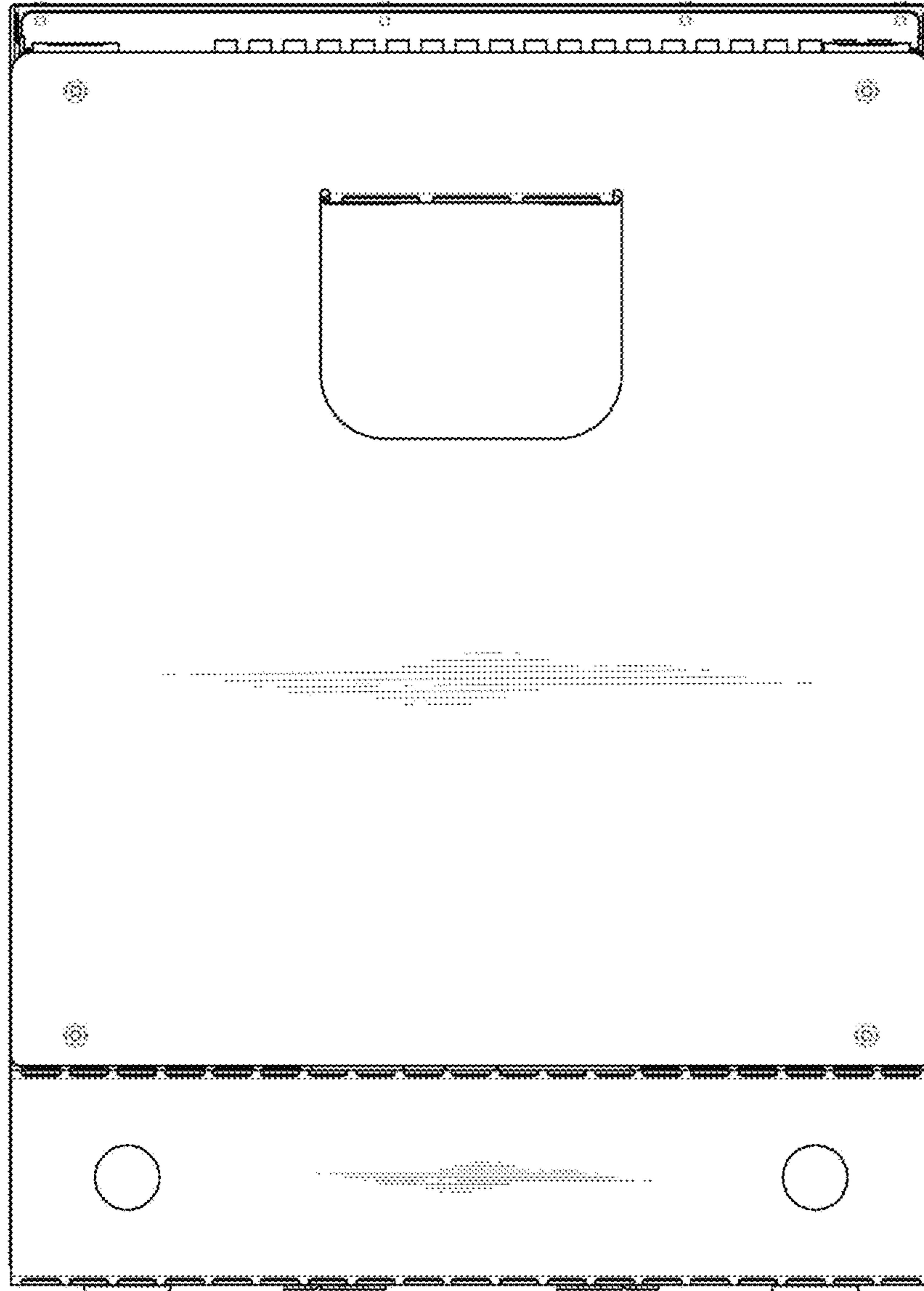


FIG. 3

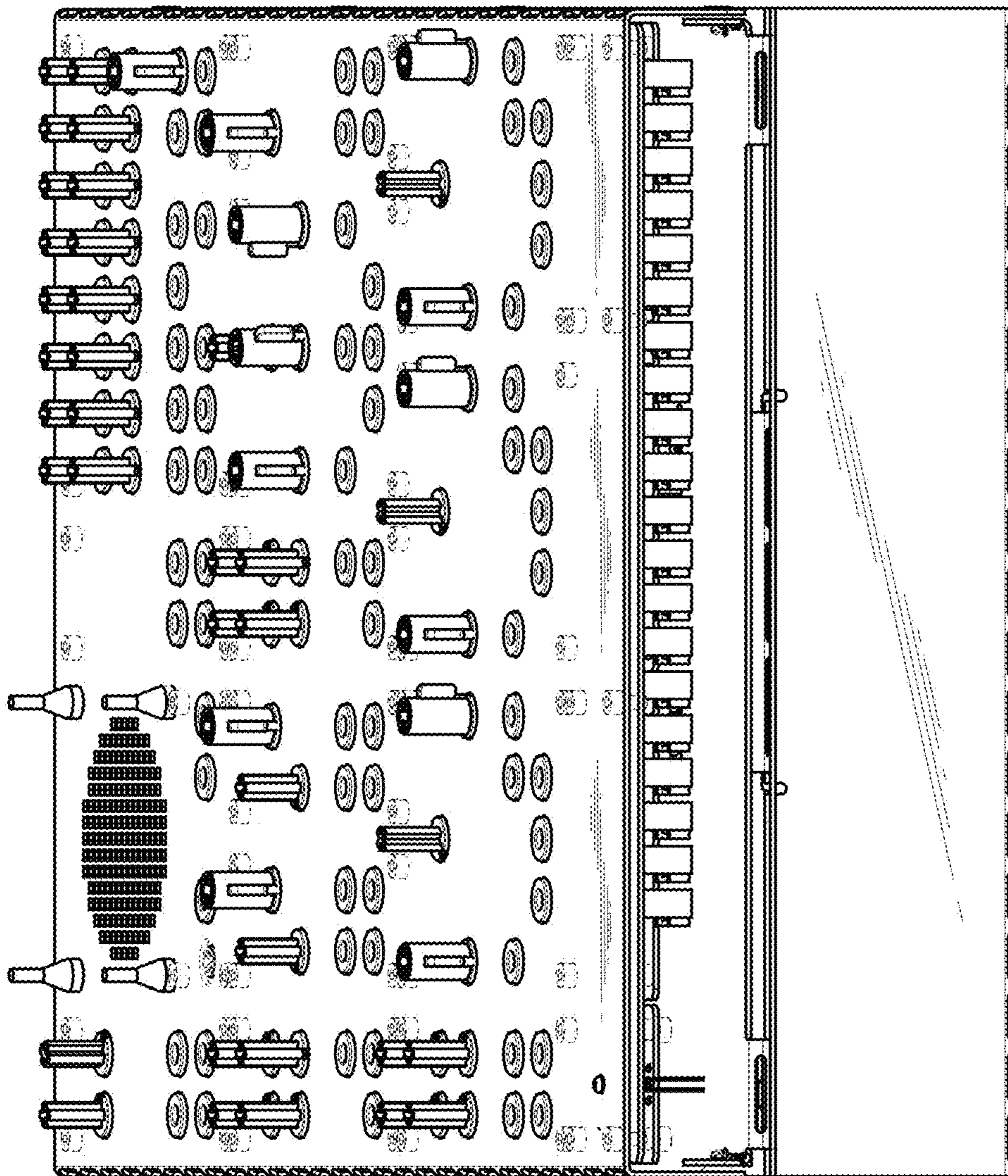


FIG. 4

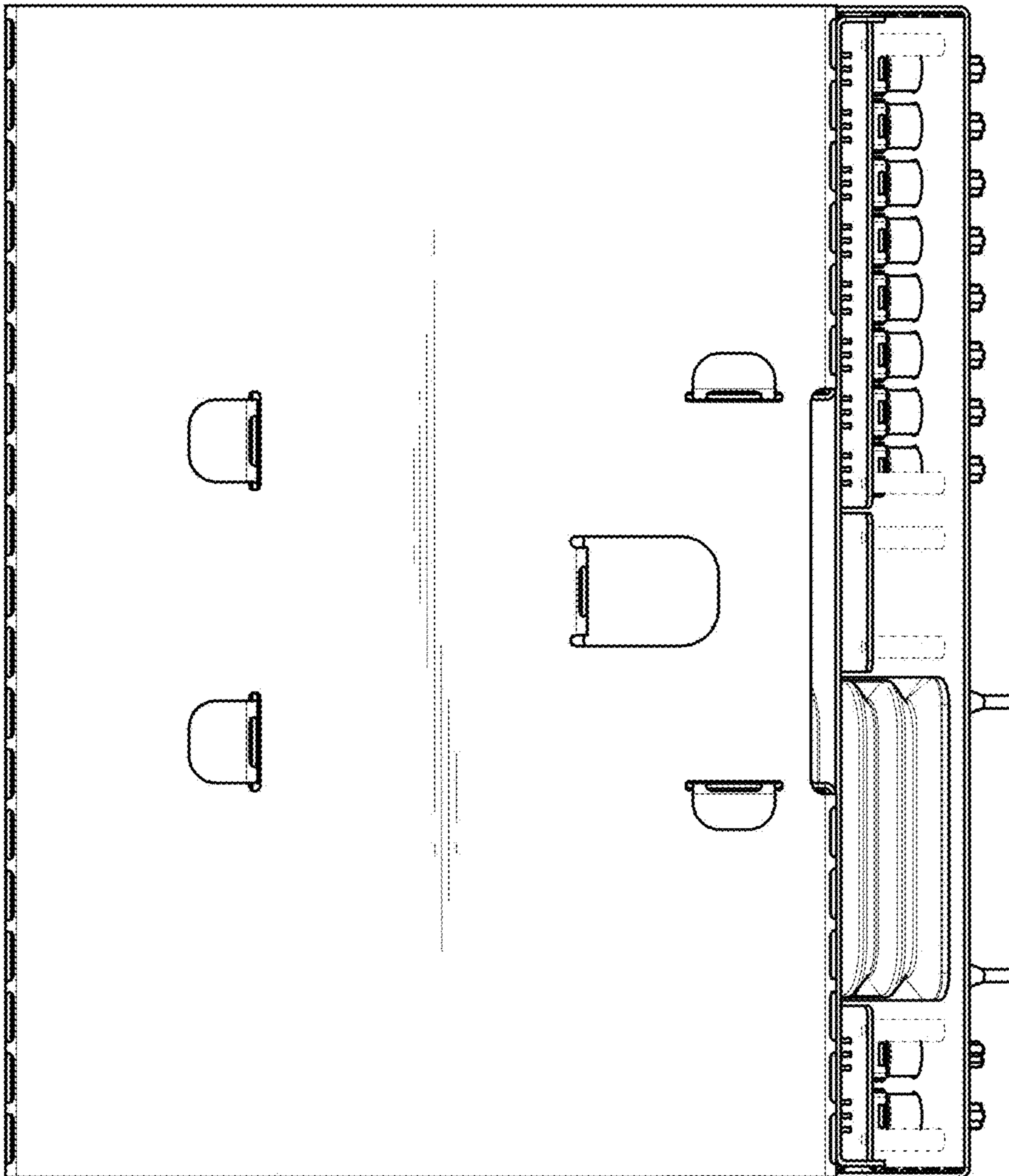


FIG. 5

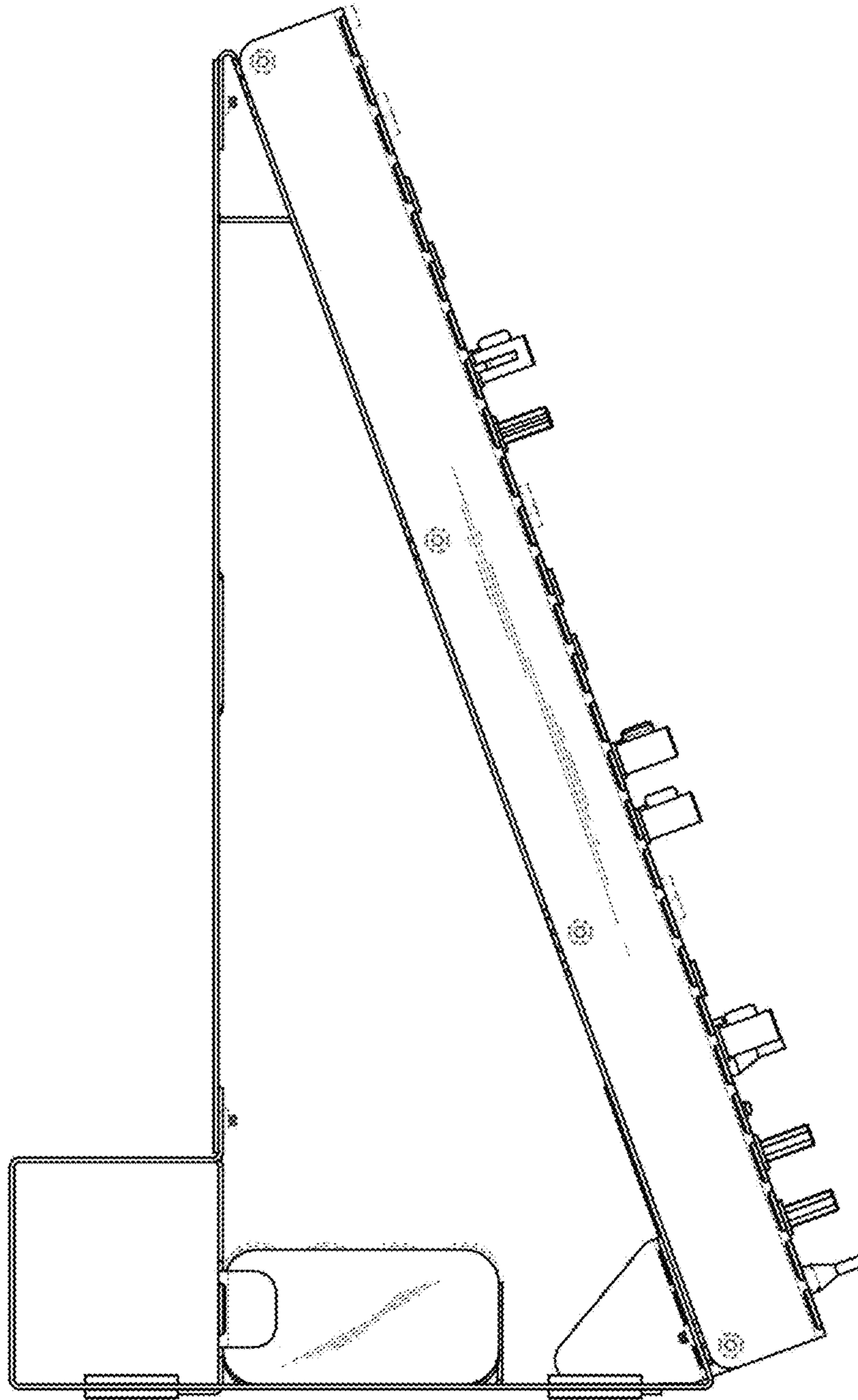


FIG. 6

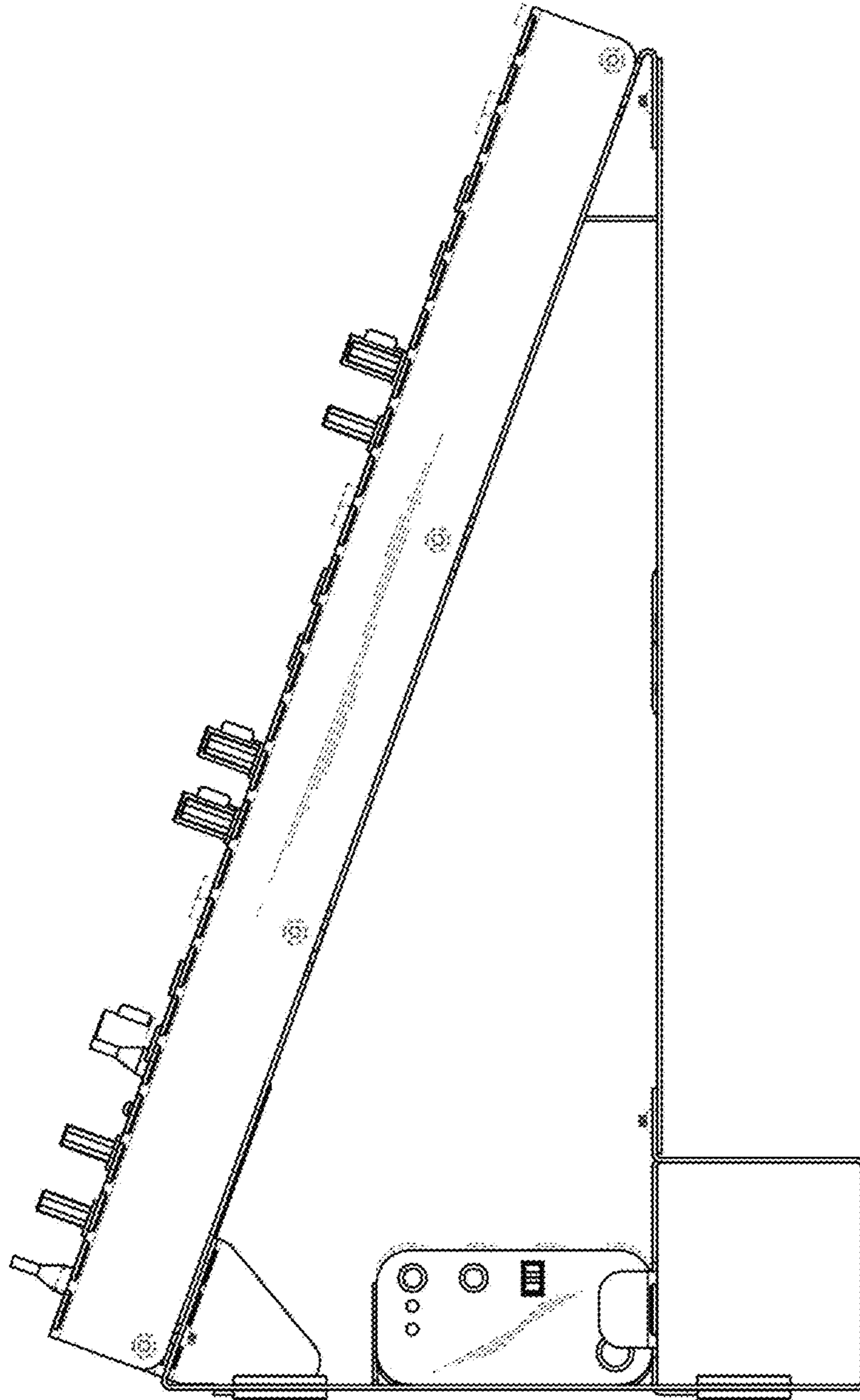


FIG. 7