



US00D928863S

(12) **United States Design Patent** (10) **Patent No.:** **US D928,863 S**
Alberstein et al. (45) **Date of Patent:** **** Aug. 24, 2021**

(54) **CAMERA LIGHT** 7,514,883 B2 * 4/2009 Chihara H05B 39/047
 315/307
 (71) Applicant: **GoPro, Inc.**, San Mateo, CA (US) D596,658 S 7/2009 Dordick
 D616,286 S 5/2010 Foresman
 D635,445 S 4/2011 Foresman
 (72) Inventors: **Scott Alberstein**, San Francisco, CA 8,348,214 B2 1/2013 Vogt
 (US); **Daniel J. Coster**, San Francisco, CA (US); **Joshua T. Druker**, Redwood D679,576 S 4/2013 Paul
 City, CA (US) D683,207 S 5/2013 Papadopoulos
 8,827,219 B2 9/2014 Kessler
 D722,864 S 2/2015 Greenthal
 D732,593 S * 6/2015 Woodman F16M 13/02
 D16/200
 (73) Assignee: **GoPro, Inc.**, San Mateo, CA (US) 9,243,737 B2 1/2016 Hida
 D749,164 S 2/2016 Raccah
 D752,672 S * 3/2016 Clearman D16/200
 (**) Term: **15 Years**
 (21) Appl. No.: **29/705,995** (Continued)

(22) Filed: **Sep. 17, 2019**
 (51) **LOC (13) Cl.** **16-05**
 (52) **U.S. Cl.**
 USPC **D16/239**
 (58) **Field of Classification Search**
 USPC D16/219, 237–241, 242–245; D10/46,
 D10/61, 65; D14/218, 224, 229, 238,
 D14/251, 253, 447, 451, 457, 388, 396,
 D14/412–415; D26/46, 60
 CPC A45F 2200/0508–0533; A45F 5/00; A45F
 5/10; F16M 11/06–10; F16M 11/14;
 G02B 7/00–002; G03B 17/56; G03B
 17/561–566; H04N 5/2253–2254
 See application file for complete search history.

(56) **References Cited**
 U.S. PATENT DOCUMENTS
 D35,263 S 11/1901 Frazier
 4,763,151 A 8/1988 Klinger
 5,121,147 A * 6/1992 Wada H04N 5/2251
 396/198
 D373,947 S 9/1996 Parduhn
 D462,893 S 9/2002 Sung
 D467,605 S 12/2002 Dordick
 7,077,582 B2 7/2006 Johnson
 7,185,862 B1 3/2007 Yang

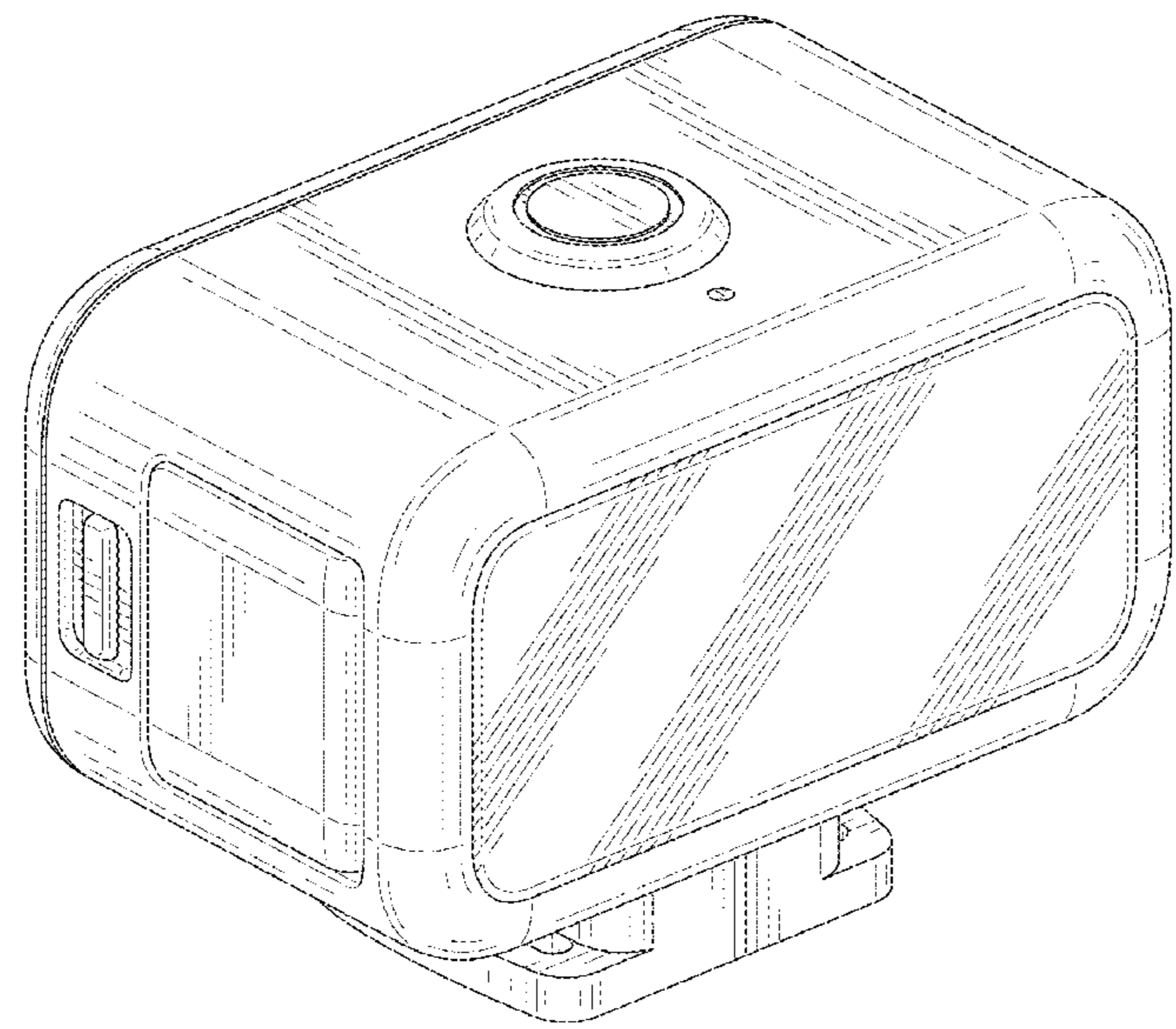
OTHER PUBLICATIONS
 GoPro LED Lighting. [online] Retrieved Jan. 27, 2021 from URL:
https://gopro.com/en/us/shop/lighting.*
 (Continued)

Primary Examiner — Vy N Koenig
 (74) *Attorney, Agent, or Firm* — Young Basile Hanlon &
 MacFarlane, P.C.

(57) **CLAIM**
 The ornamental design for a camera light, as shown and
 described.

DESCRIPTION
 FIG. 1 is an upper, front, left perspective view of a camera
 light of our new design;
 FIG. 2 is a lower, rear, right perspective view thereof;
 FIG. 3 is a front view thereof;
 FIG. 4 is a rear view thereof;
 FIG. 5 is left view thereof;
 FIG. 6 is a right view thereof;
 FIG. 7 is a top view thereof; and,
 FIG. 8 is a bottom view thereof.

1 Claim, 8 Drawing Sheets



(56)

References Cited

U.S. PATENT DOCUMENTS

9,297,616 B2 3/2016 Daniel
 9,297,640 B2 3/2016 Tassakos
 9,360,742 B1 6/2016 Harrison
 9,372,383 B2 6/2016 Johnson
 9,395,031 B1 7/2016 Clearman
 D764,566 S 8/2016 McCallister
 D764,567 S 8/2016 McCallister
 9,426,341 B1 8/2016 Baldrige
 D776,746 S 1/2017 McCallister
 D777,240 S 1/2017 Costa
 9,588,407 B1 3/2017 Harrison
 9,625,791 B2 4/2017 Harrison
 9,661,197 B2 * 5/2017 Clearman G03B 17/561
 9,681,029 B2 * 6/2017 Harrison F16M 11/14
 9,736,376 B1 8/2017 Holway
 9,772,542 B2 9/2017 Clearman
 D800,205 S 10/2017 Harrison
 D800,822 S 10/2017 Costa
 9,851,622 B2 12/2017 Song
 D841,721 S 2/2019 Muhlenkamp, IV
 10,539,858 B2 1/2020 Clearman
 D892,905 S * 8/2020 Nguyen D16/219
 10,863,155 B2 * 12/2020 Gounelle H04N 5/243
 2005/0041966 A1 2/2005 Johnson
 2009/0110380 A1 4/2009 Fantone
 2010/0229450 A1 9/2010 Becker

2012/0120236 A1 5/2012 Xiao
 2014/0321843 A1 10/2014 Hulse
 2015/0234258 A1 8/2015 Hida
 2015/0346588 A1 12/2015 Hudson
 2016/0186919 A1 6/2016 Zhao
 2017/0255082 A1 9/2017 Song

OTHER PUBLICATIONS

U.S. Office Action, U.S. Appl. No. 15/180,535, dated Jan. 17, 2017, 12 pages.
 Fantaseal Action Camera Bike Mount Aluminum Alloy 2-Rail Saddle Bike Seat Mount for GoPro Pro Seat Rail Mount GoPro Bike Mount GoPro Bicycle Seat Rack Mount for GoPro Garmin Virb XE SJCAMDBPOWER-BK. Online, published date unknown. Retrieved on May 23, 2018 from URL: <https://www.amazon.com/fantaseal-Action-Camera-Bi> (1 page).
 Pro Camera Bracket Integrated Mount. Online, published date unknown. Retrieved on May 23, 2018 from URL: <https://www.annaincycling.com/pro-camera-bracket-integrated-mount-black-17-pro-saddle-compatible-prac0129/p612468> (1 page).
 Vixen Polarie Star Tracker Review. [online] Published date Mar. 22, 2013. Retrieved on Oct. 25, 2016 from <URL: <https://www.ephotozine.com/article/vixen-polarie-star-tracker-review-2151-6>>. 6 pages.
 Design U.S. Appl. No. 29/675,551, filed Jan. 3, 2019, 28 pages.
 U.S. Appl. No. 16/737,384, filed Jan. 8, 2020, 31 pages.

* cited by examiner

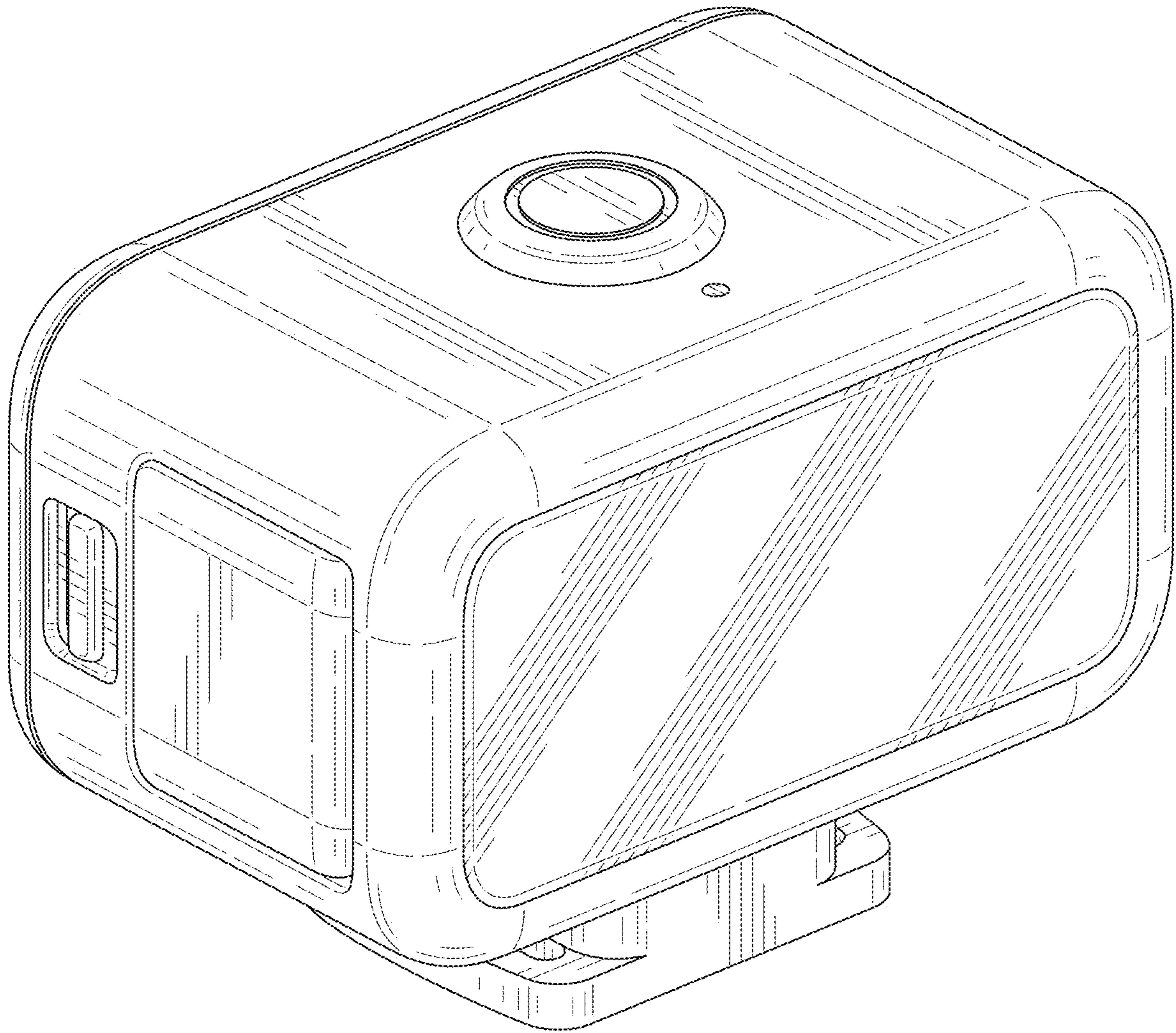


FIG. 1

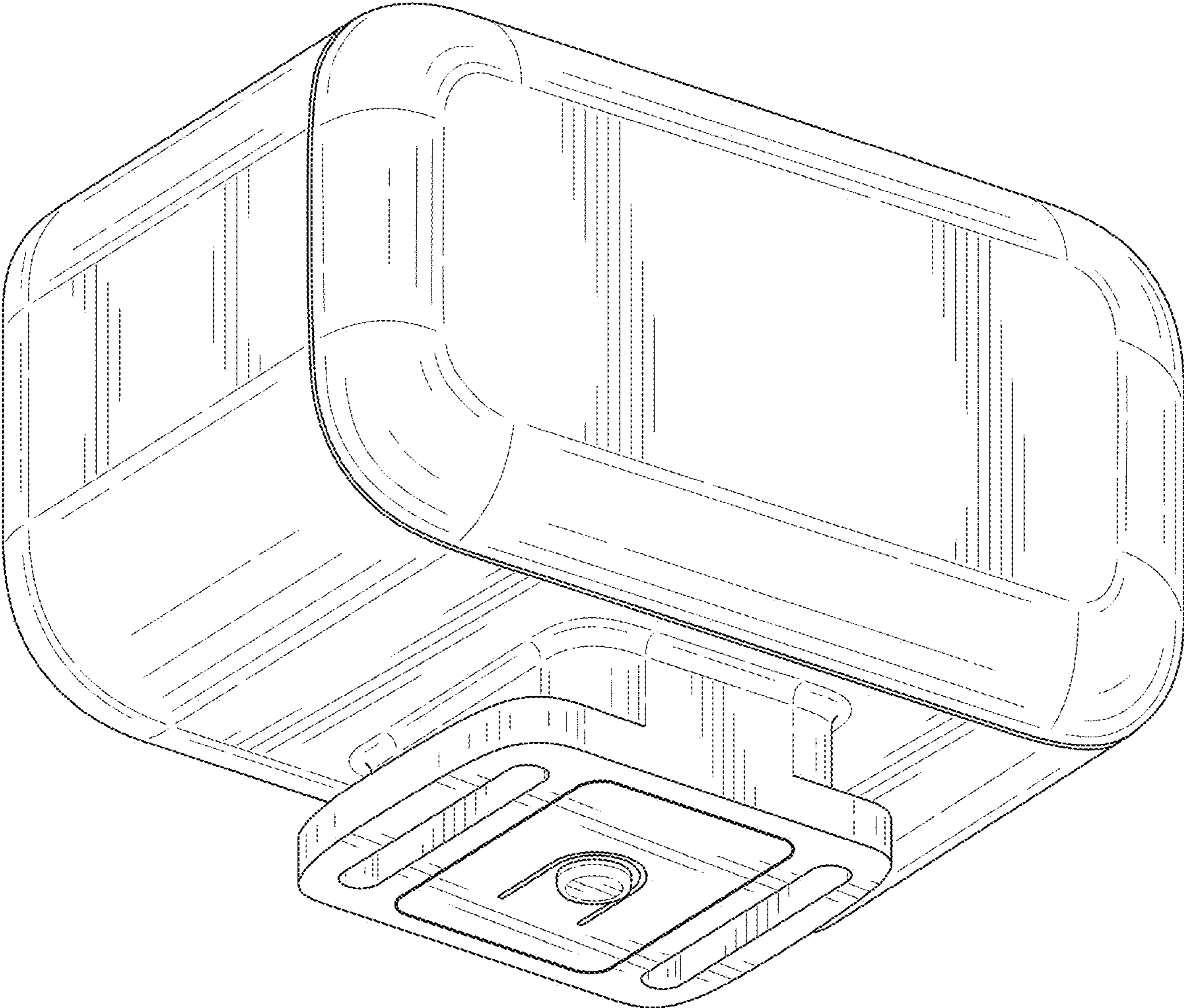


FIG. 2

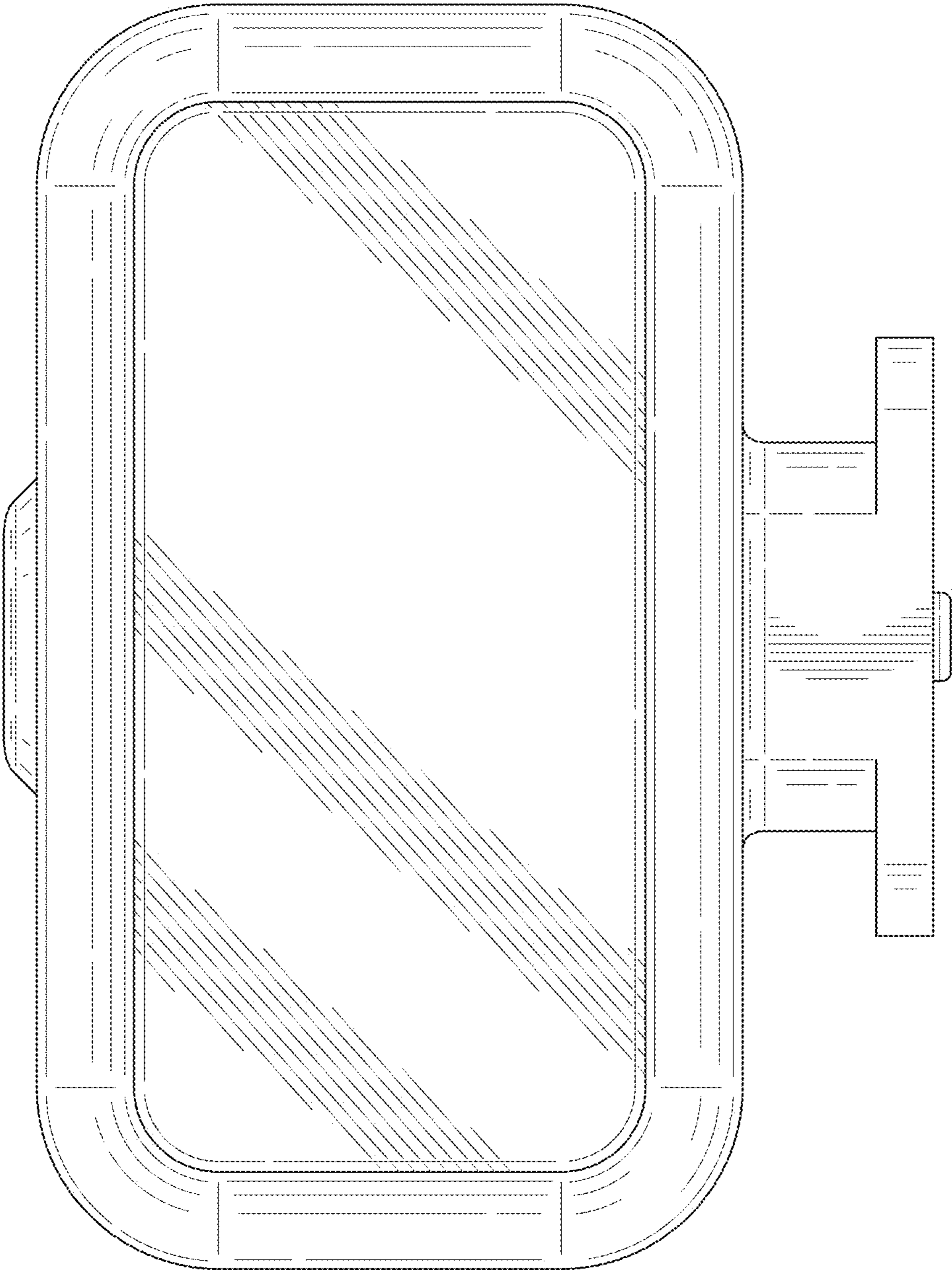


FIG. 3

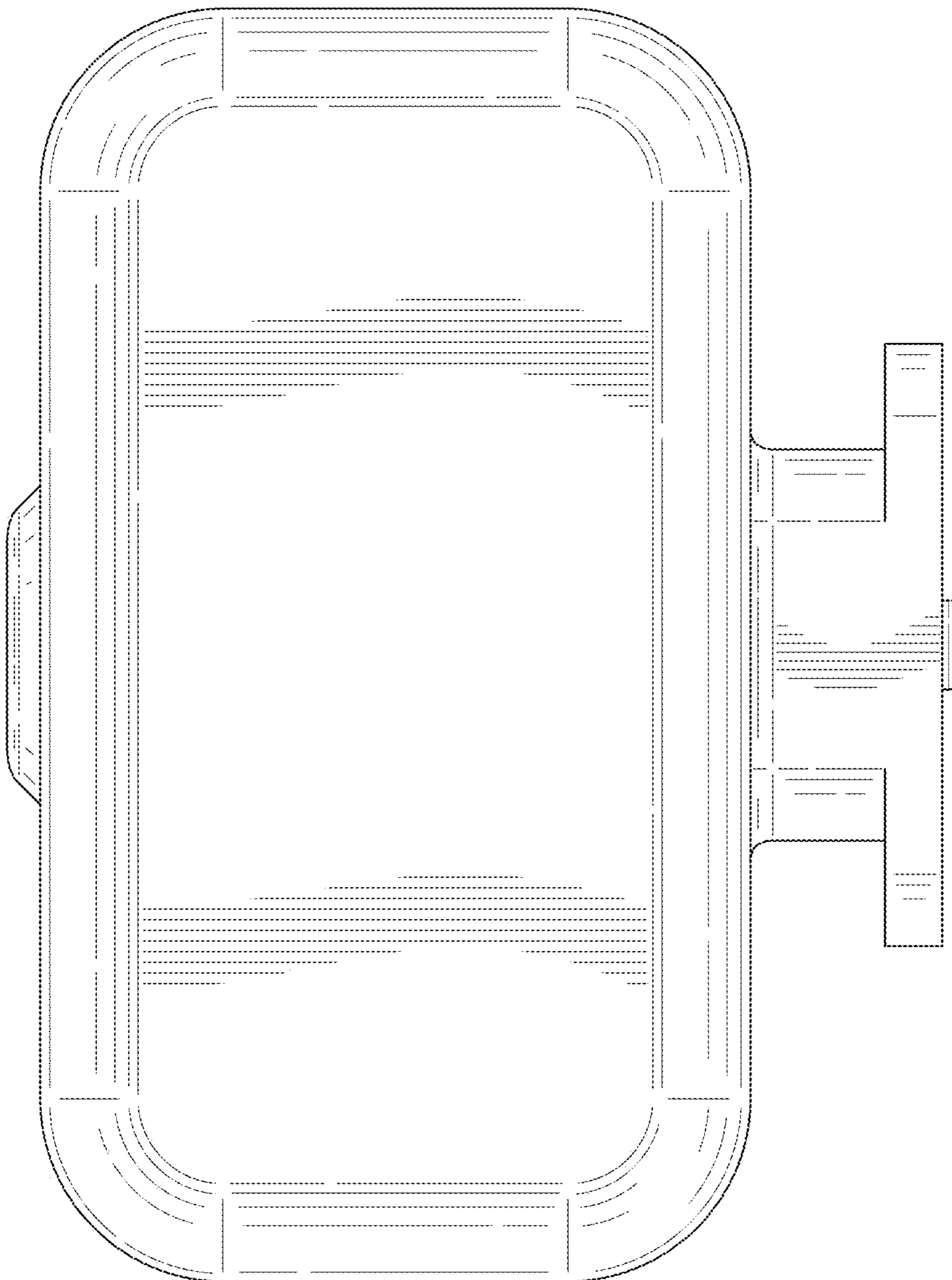


FIG. 4

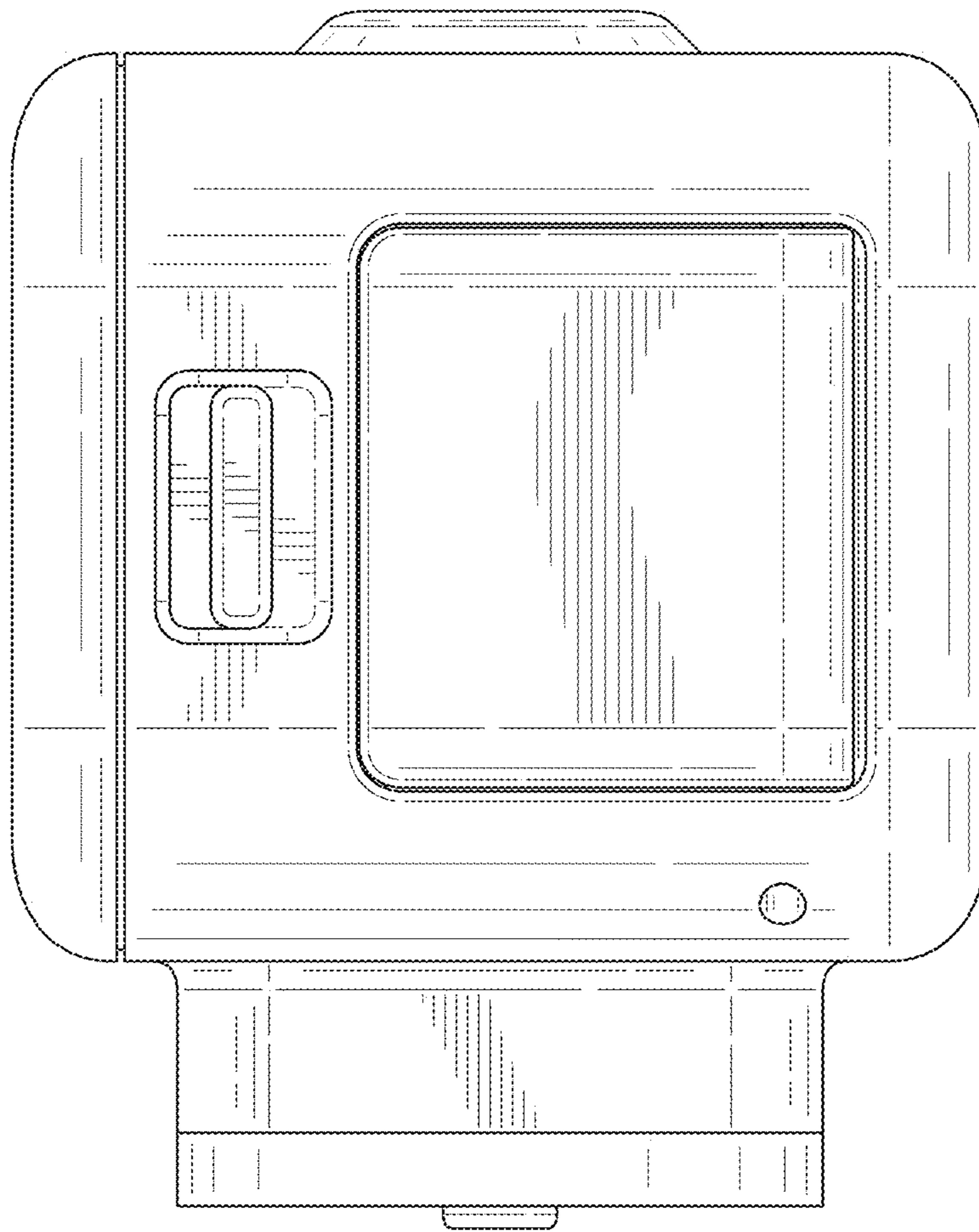


FIG. 5

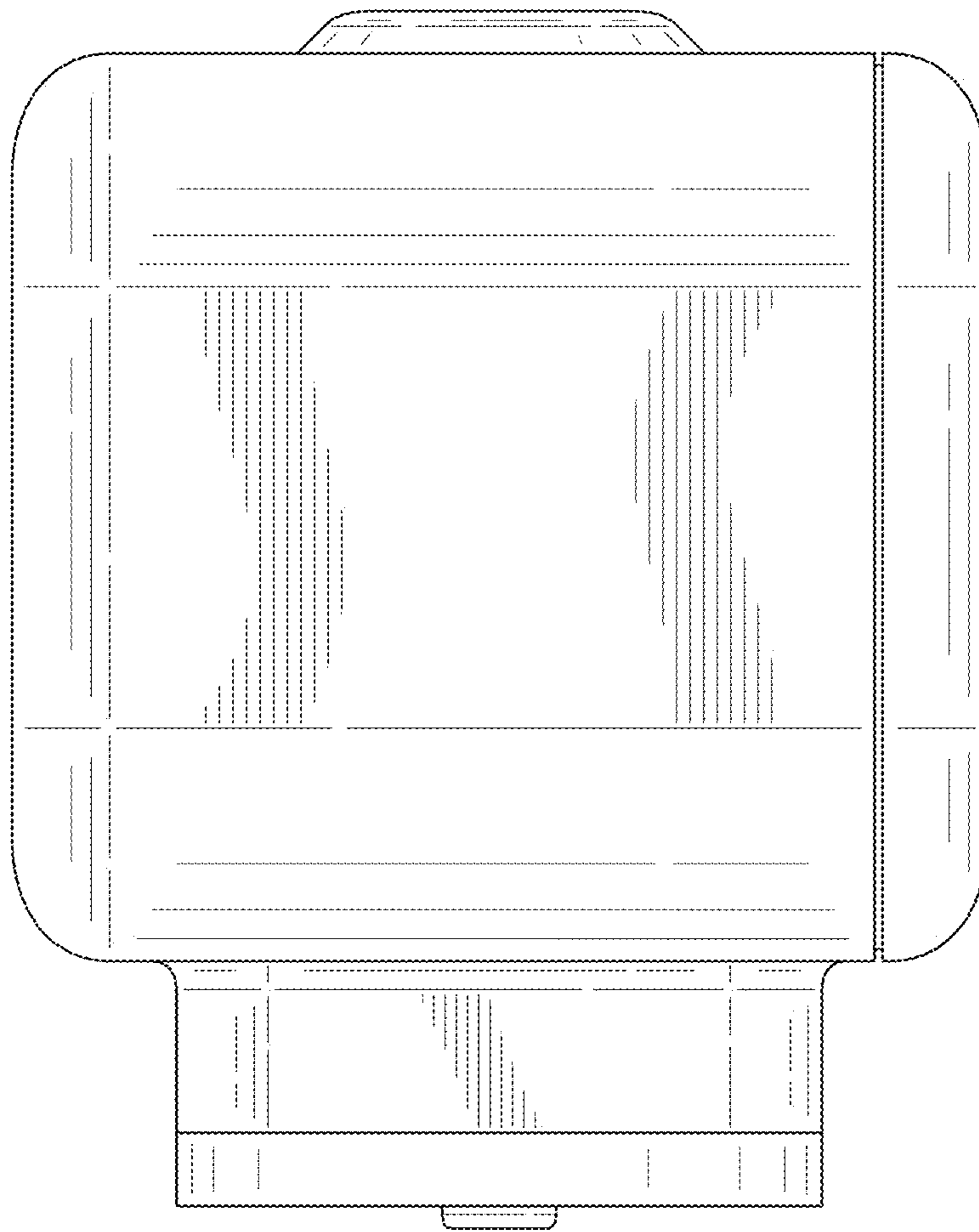


FIG. 6

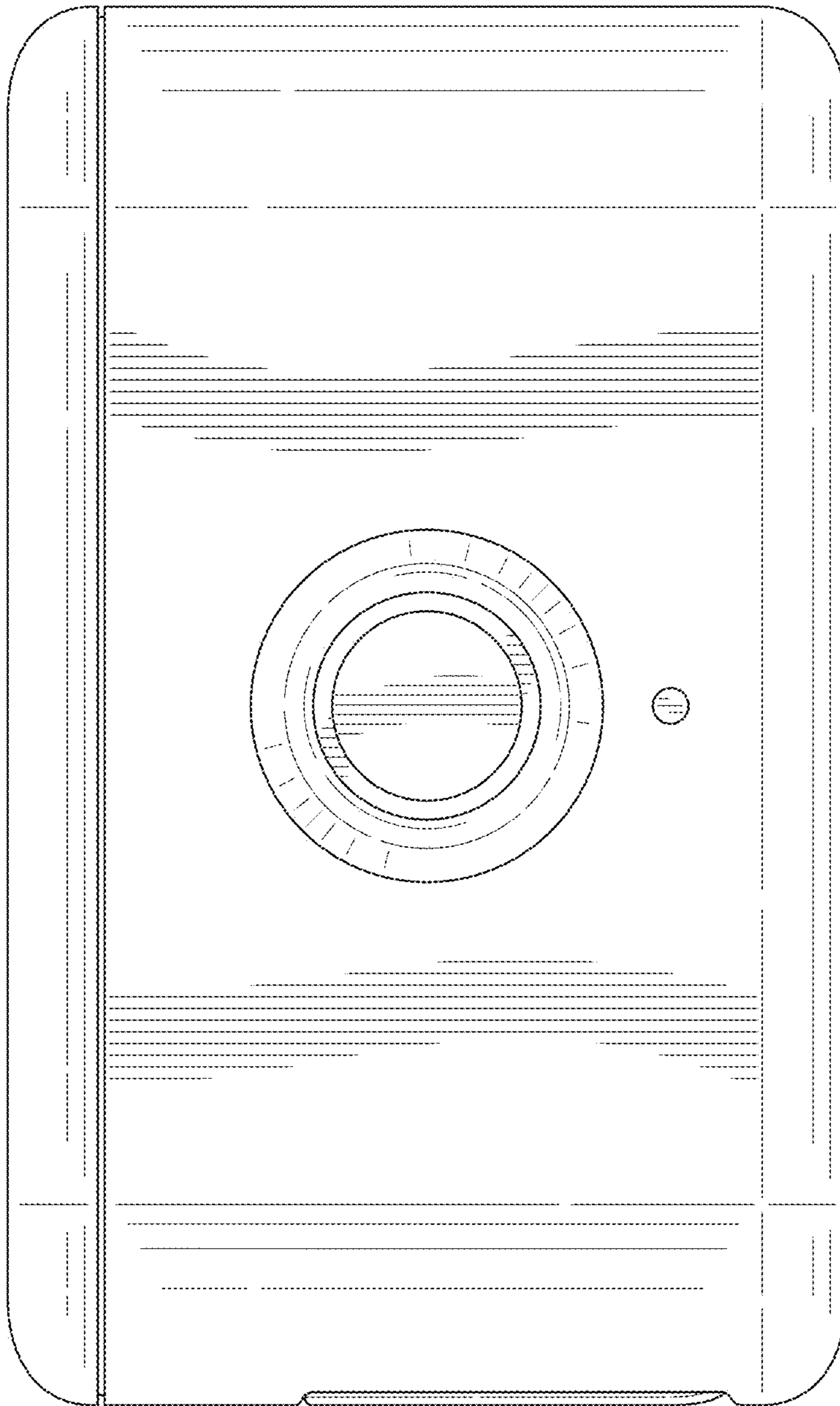


FIG. 7

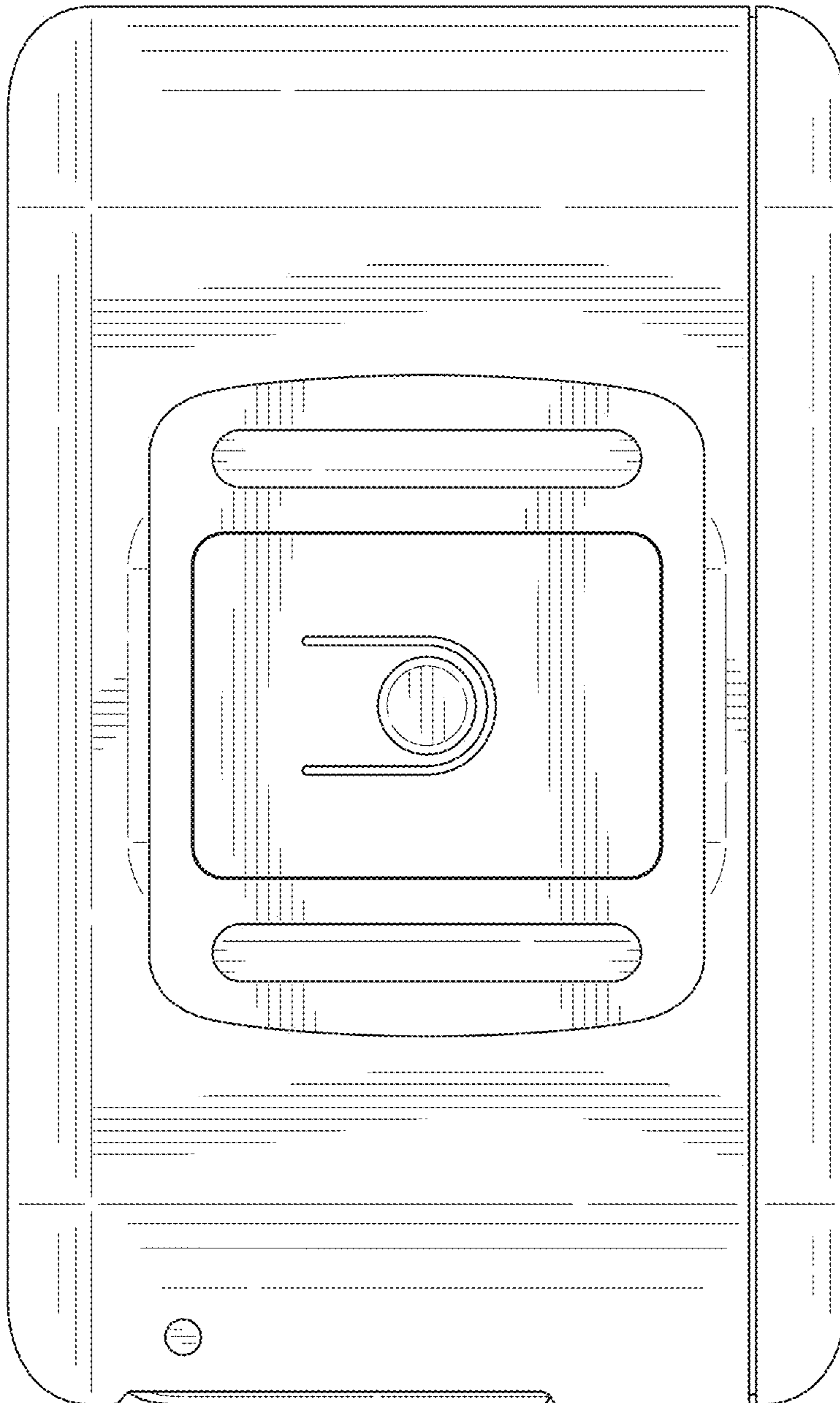


FIG. 8