



US00D928861S

(12) **United States Design Patent** (10) **Patent No.:** **US D928,861 S**  
**Lhoste et al.** (45) **Date of Patent:** **\*\* Aug. 24, 2021**

(54) **HOUSING OF A CAMERA TRAP FOR AQUATIC ORGANISMS**

(56) **References Cited**

(71) Applicant: **Luxembourg Institute of Science and Technology**, Esch-sur-Alzette (LU)

U.S. PATENT DOCUMENTS

(72) Inventors: **Lionel Lhoste**, Moulins-les-Metz (FR); **Xavier Mestdagh**, Martelange (BE)

D754,230 S *	4/2016	Mori .....	D16/200
D852,253 S *	6/2019	Lee .....	D16/200
D875,152 S *	2/2020	McCormack .....	D16/200
D875,160 S *	2/2020	Krakauer .....	D16/208
2020/0037584 A1 *	2/2020	Mestdagh .....	A01K 61/90

(\*\*) Term: **15 Years**

\* cited by examiner

(21) Appl. No.: **35/509,336**

*Primary Examiner* — Holly E Thurman

(22) Filed: **Sep. 9, 2019**

(57) **CLAIM**

(80) **Hague Agreement Data**

The ornamental design for a housing of a camera trap for aquatic organisms, as shown and described.

Int. Filing Date: **Sep. 9, 2019**  
 Int. Reg. No.: **DM/207964**  
 Int. Reg. Date: **Sep. 9, 2019**  
 Int. Reg. Pub. Date: **May 15, 2020**

**DESCRIPTION**

(51) **LOC (13) Cl.** ..... **16-01**

1. Housing of a camera trap for aquatic organisms
- 1.1 : Perspective
- 1.2 : Back
- 1.3 : Right
- 1.4 : Front
- 1.5 : Left
- 1.6 : Bottom
- 1.7 : Top

(52) **U.S. Cl.**

USPC ..... **D16/200**

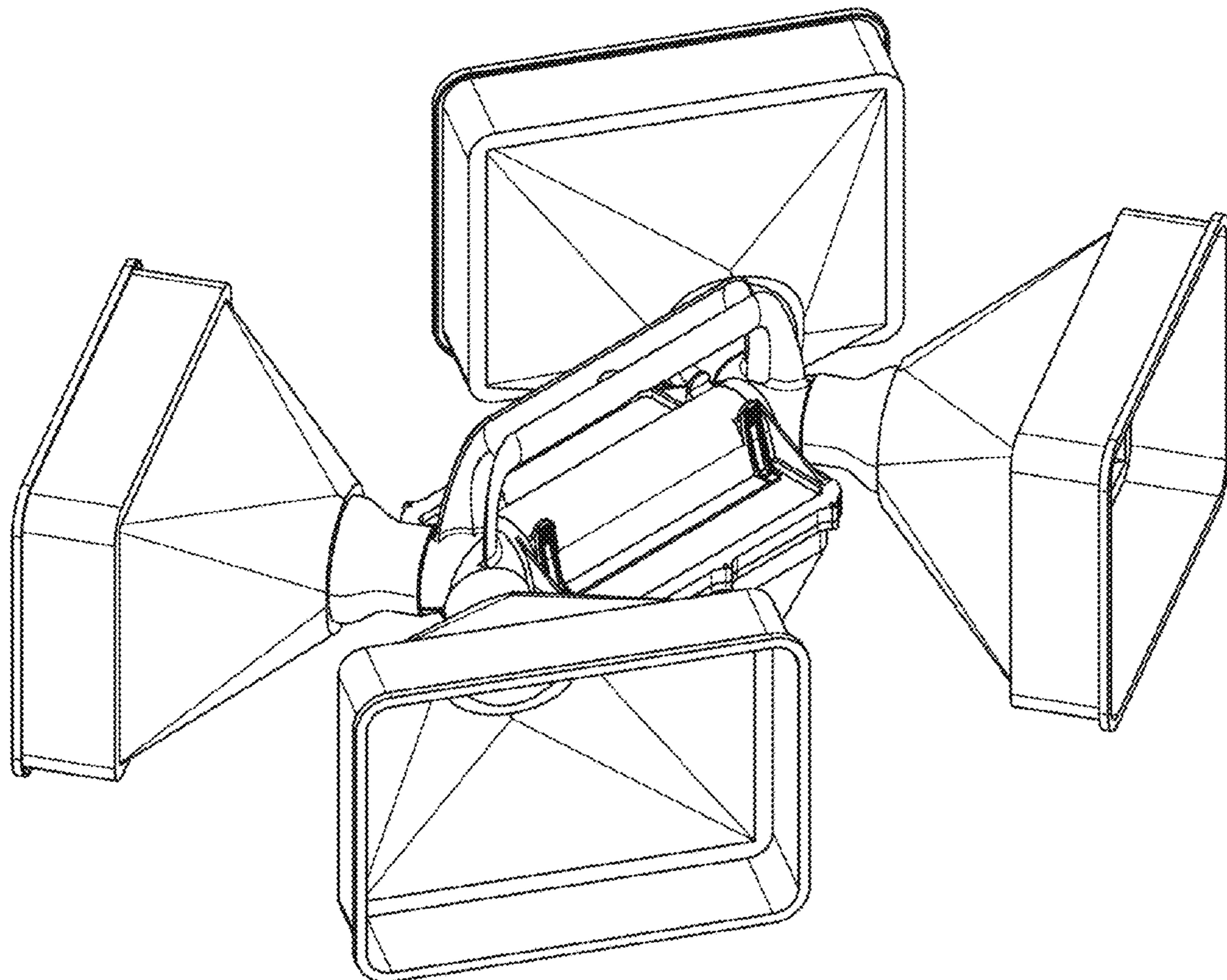
(58) **Field of Classification Search**

USPC ..... D16/200–204, 208, 218, 219, 134

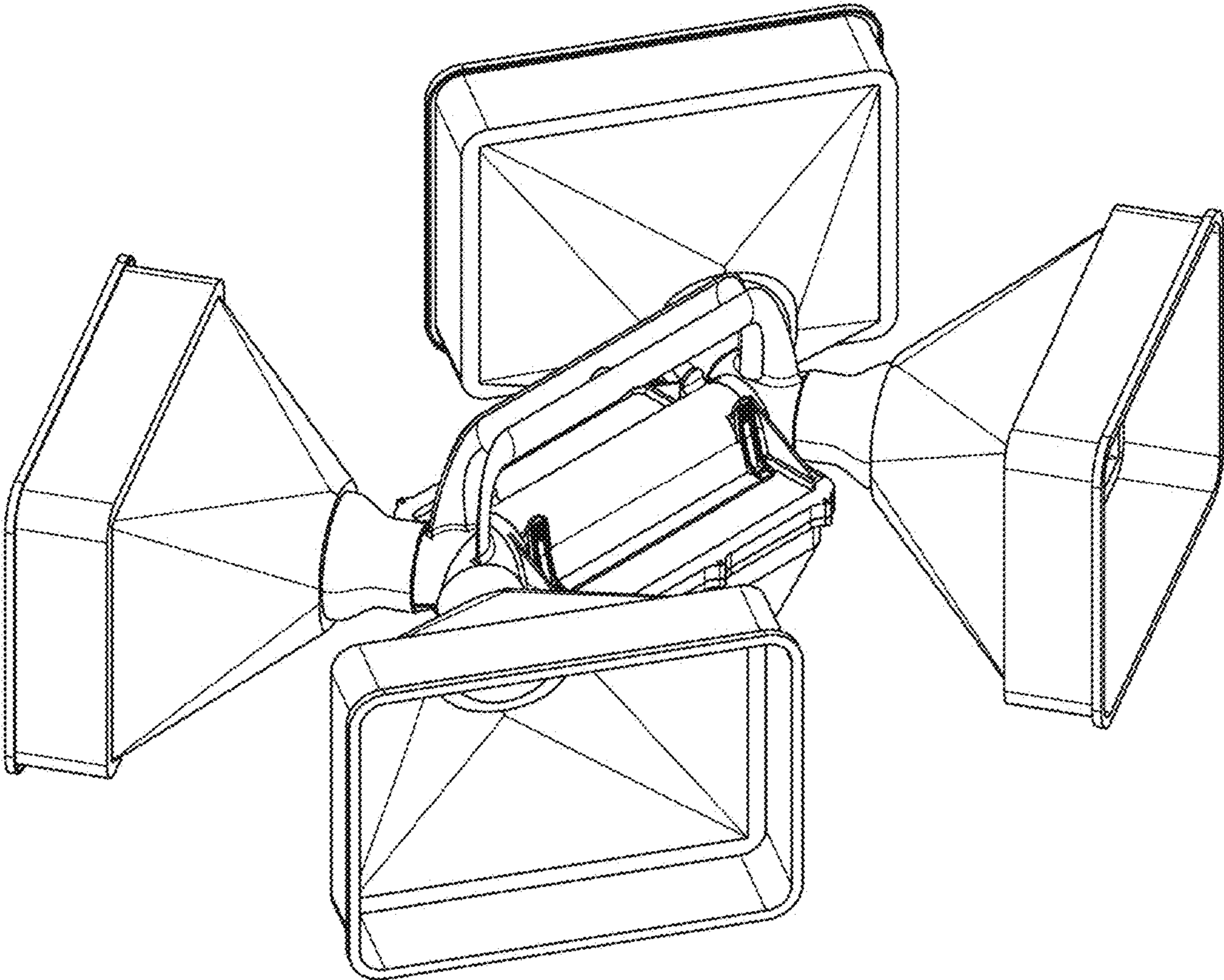
CPC ..... A01K 61/90

See application file for complete search history.

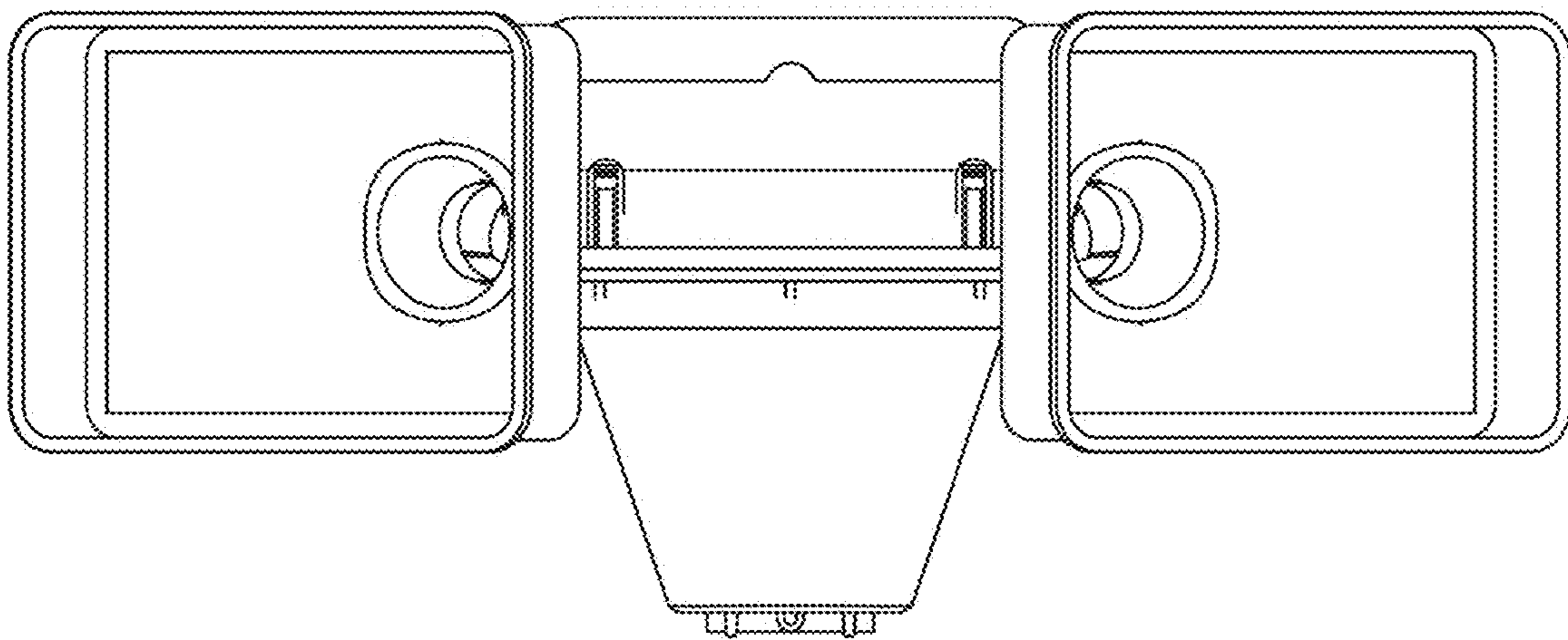
**1 Claim, 7 Drawing Sheets**



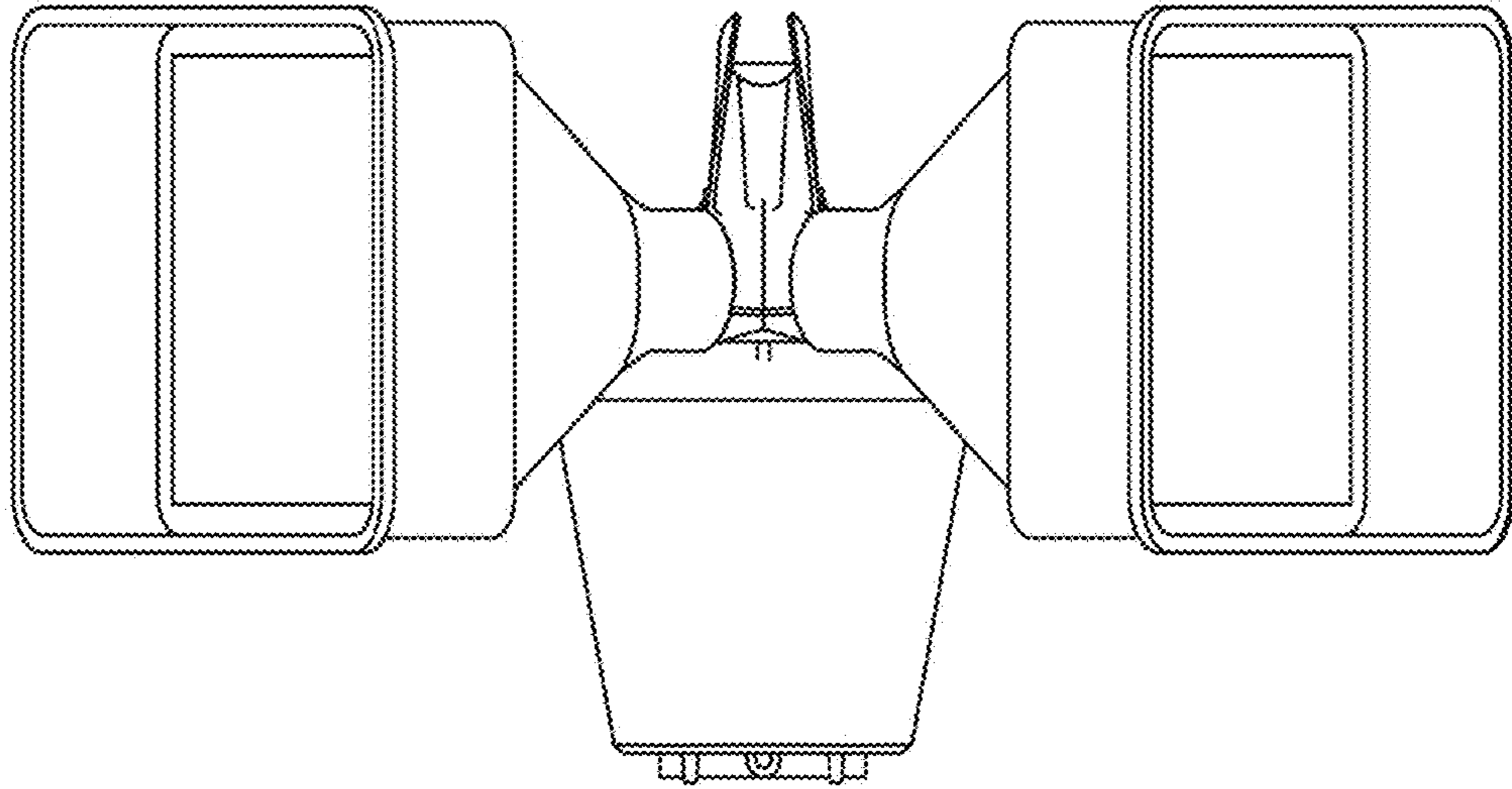
1.1



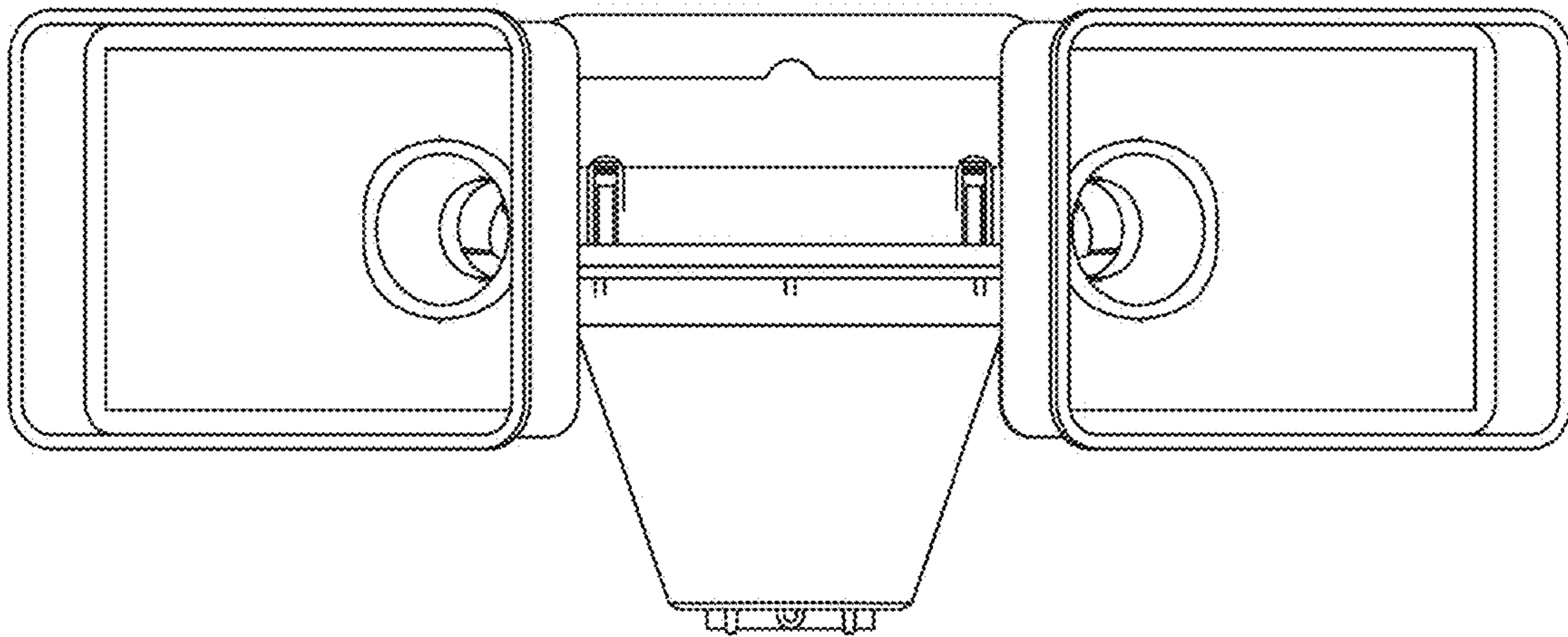
1.2



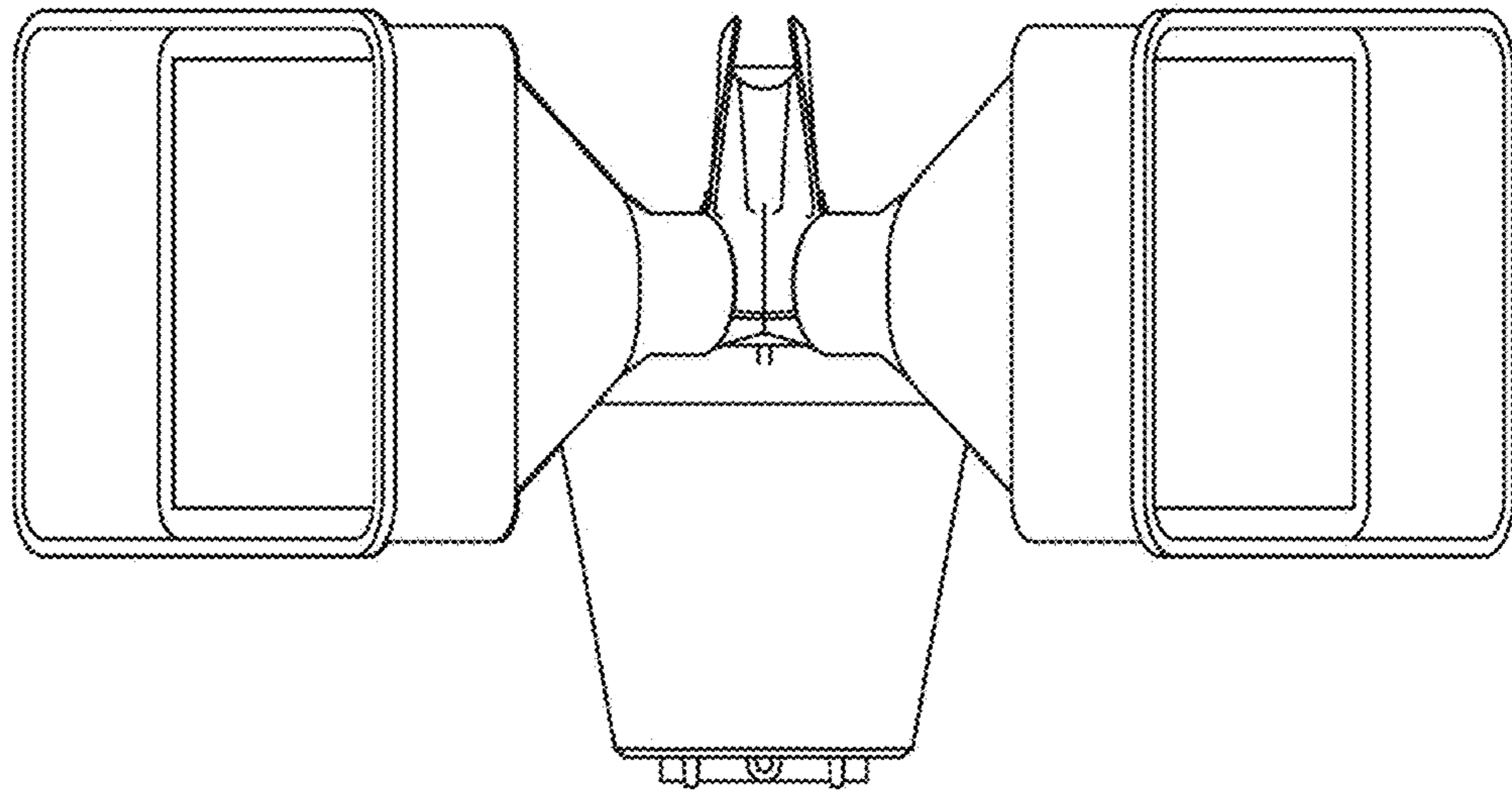
1.3



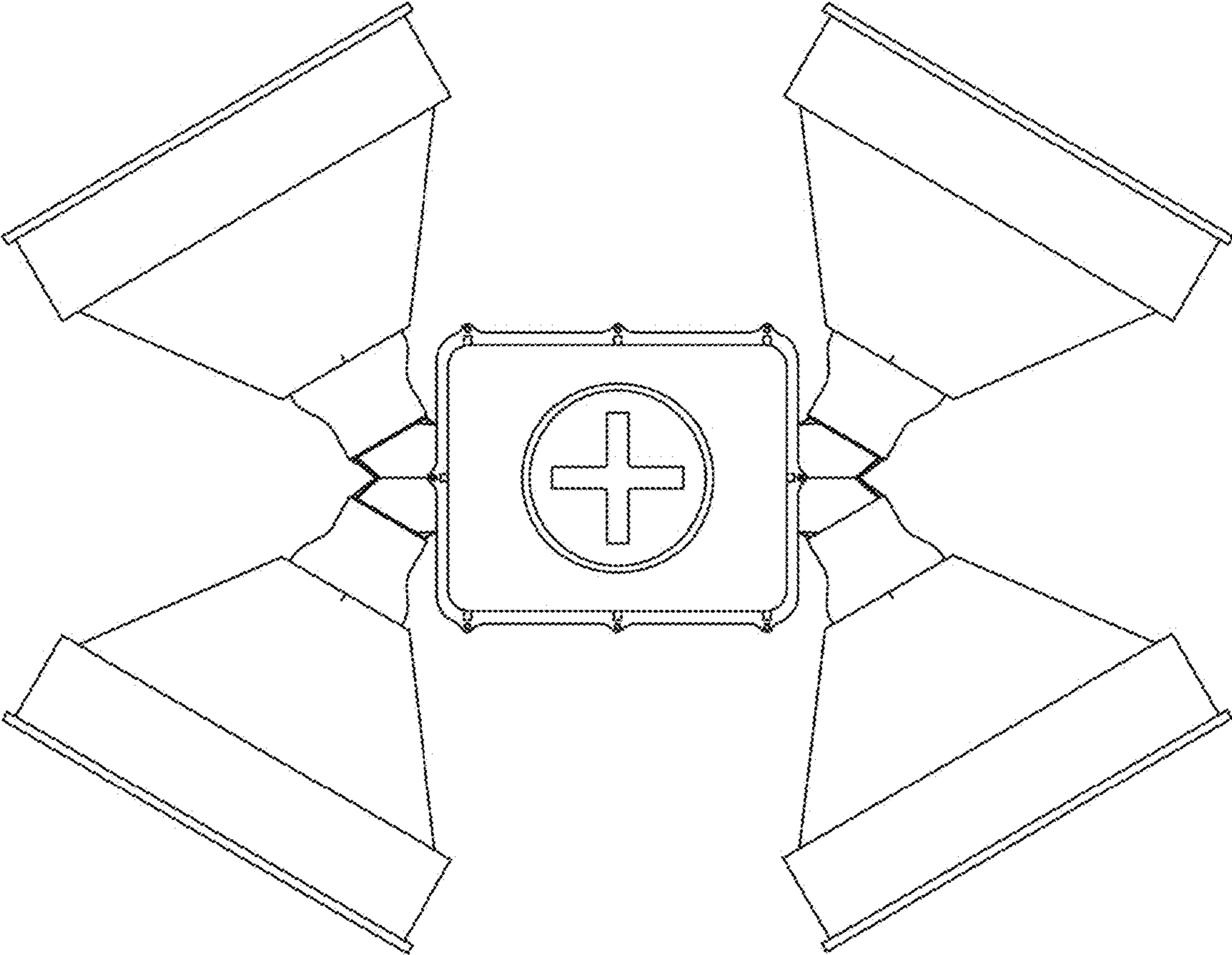
1.4



1.5



1.6



1.7

