



US00D928860S

(12) **United States Design Patent** (10) **Patent No.:** **US D928,860 S**
Ye (45) **Date of Patent:** **** Aug. 24, 2021**

(54) **BINOCULARS**

(71) Applicant: **THE NEW GENIUS (SZ) TECHNOLOGY CO., LIMITED,**
Guangdong (CN)

(72) Inventor: **Jianrong Ye,** Guangdong (CN)

(73) Assignee: **THE NEW GENIUS (SZ) TECHNOLOGY CO., LIMITED,**
Shenzhen (CN)

(**) Term: **15 Years**

(21) Appl. No.: **29/690,407**

(22) Filed: **May 8, 2019**

(30) **Foreign Application Priority Data**

Nov. 21, 2018 (CN) 201830663385.9

(51) **LOC (13) Cl.** **16-06**

(52) **U.S. Cl.**
USPC **D16/133**

(58) **Field of Classification Search**
USPC D16/130, 133, 136, 237
CPC G02B 23/00; G02B 23/18
See application file for complete search history.

(56) **References Cited**

U.S. PATENT DOCUMENTS

D148,130 S * 12/1947 Carbonara D16/133
D242,243 S * 11/1976 Takahashi et al. D16/133

D255,364 S * 6/1980 Lange D16/133
D305,433 S * 1/1990 Kobayashi D16/133
D312,088 S * 11/1990 Rosenfield D16/133
D376,167 S * 12/1996 Hayamizu D16/133
D421,997 S * 3/2000 Kawahata D16/133
D457,541 S * 5/2002 Hayashi D16/133

* cited by examiner

Primary Examiner — Holly E Thurman

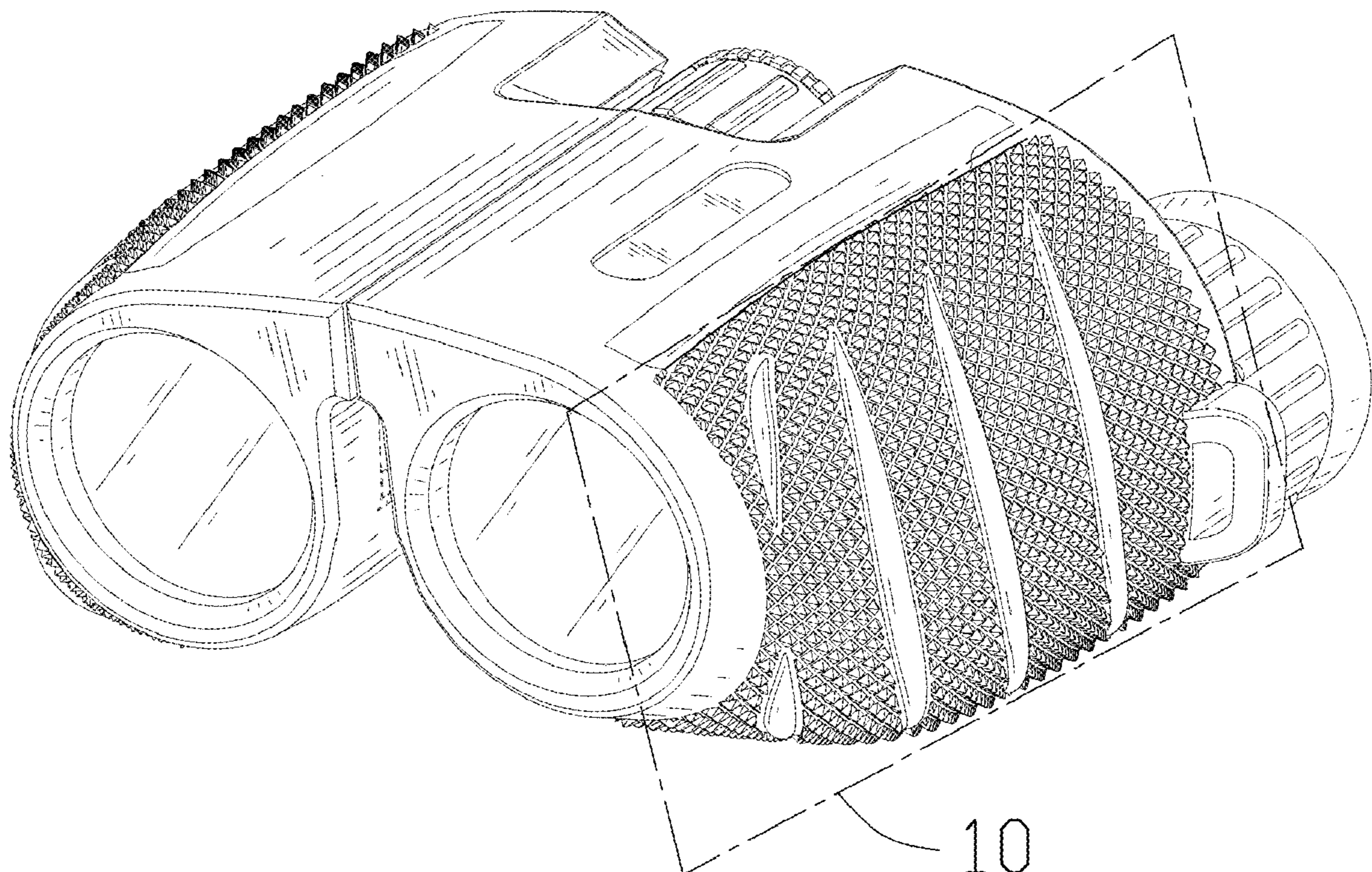
(57) **CLAIM**

The ornamental design for binoculars, as shown and described.

DESCRIPTION

FIG. 1 is a front elevational view of binoculars showing my new design;
FIG. 2 is a rear elevational view thereof;
FIG. 3 is a left side view thereof;
FIG. 4 is a right side view thereof;
FIG. 5 is a top plan view thereof;
FIG. 6 is a bottom plan view thereof;
FIG. 7 is a top, front and right side perspective view thereof;
FIG. 8 is a bottom, front and left side perspective view thereof;
FIG. 9 is a top, rear and right side perspective view thereof;
and,
FIG. 10 is an enlarged view of portion 10 in FIG. 7.
The dashed broken lines in the drawings depict parts of the binoculars which form NO part of the claimed design. The dot-dash lines in the drawings depicts the boundary of the enlarged view and forms NO part of the claimed design.

1 Claim, 10 Drawing Sheets



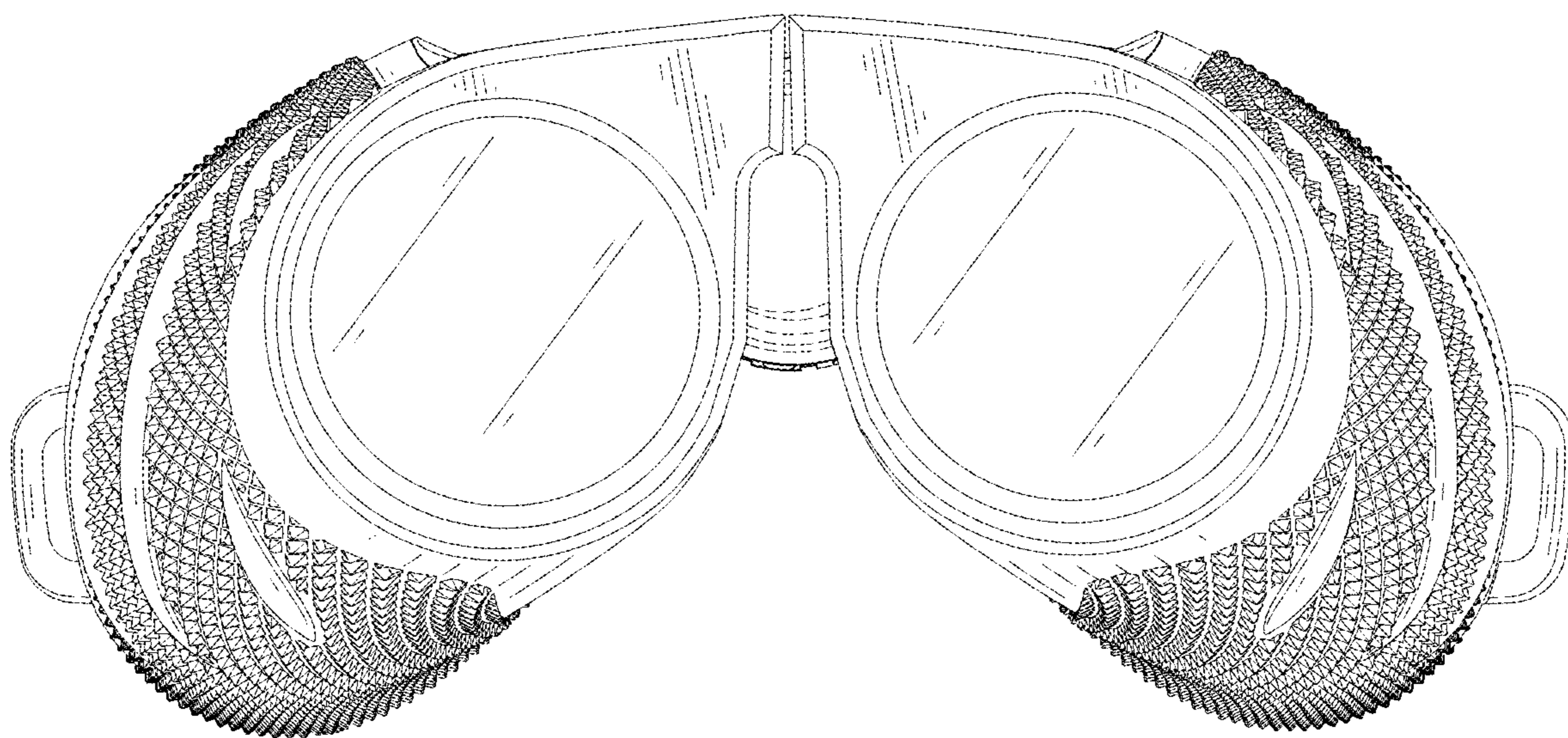


FIG. 1

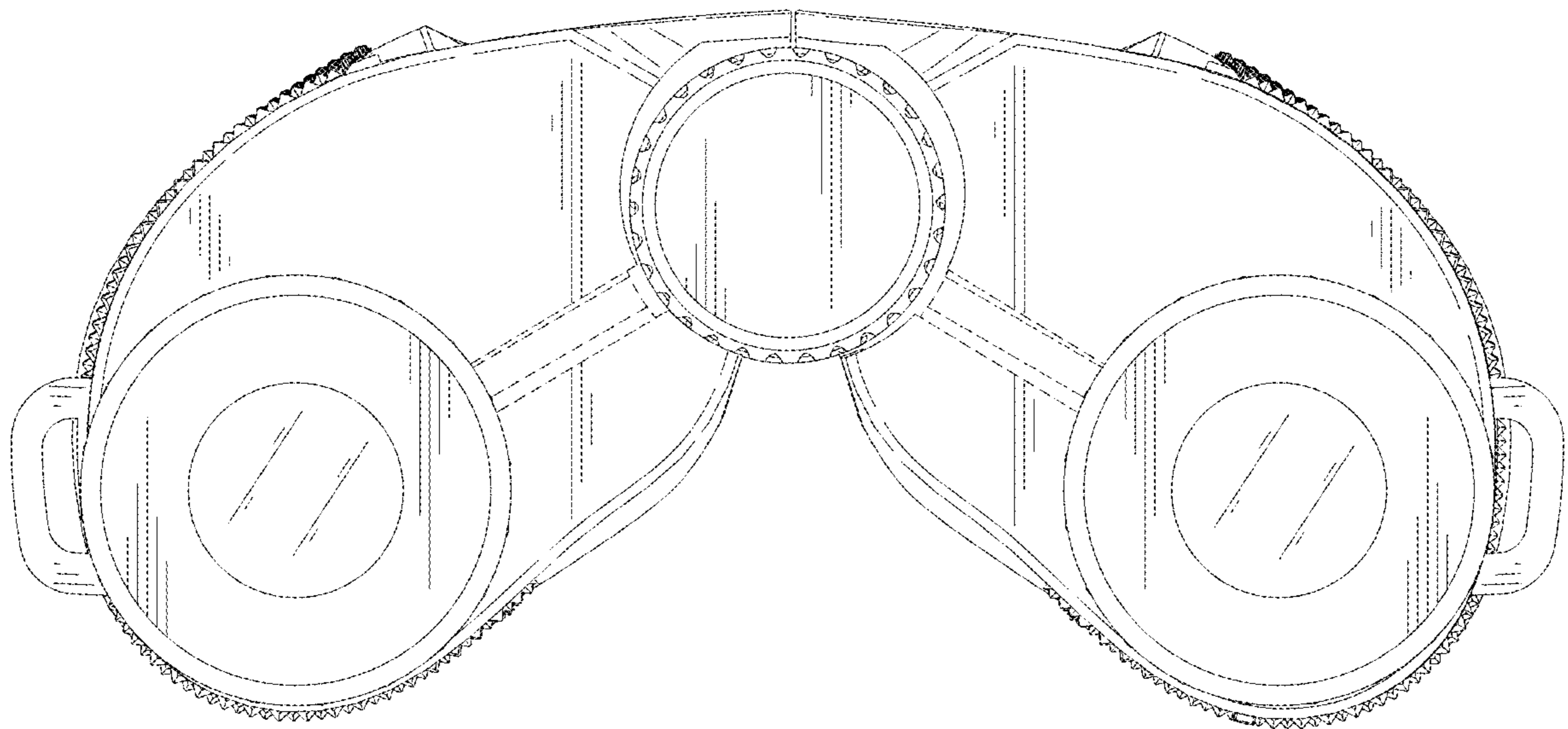


FIG. 2

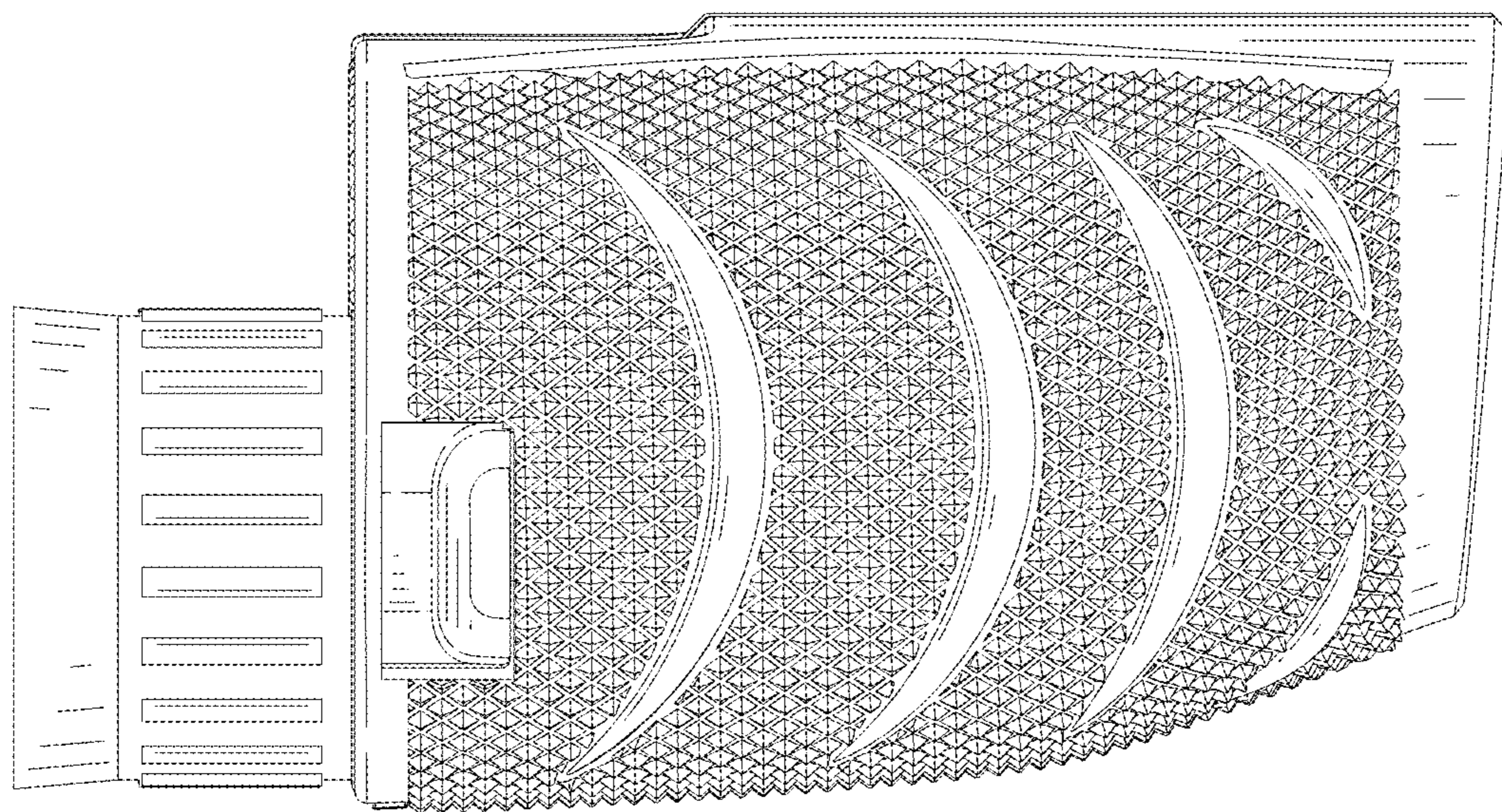


FIG. 3

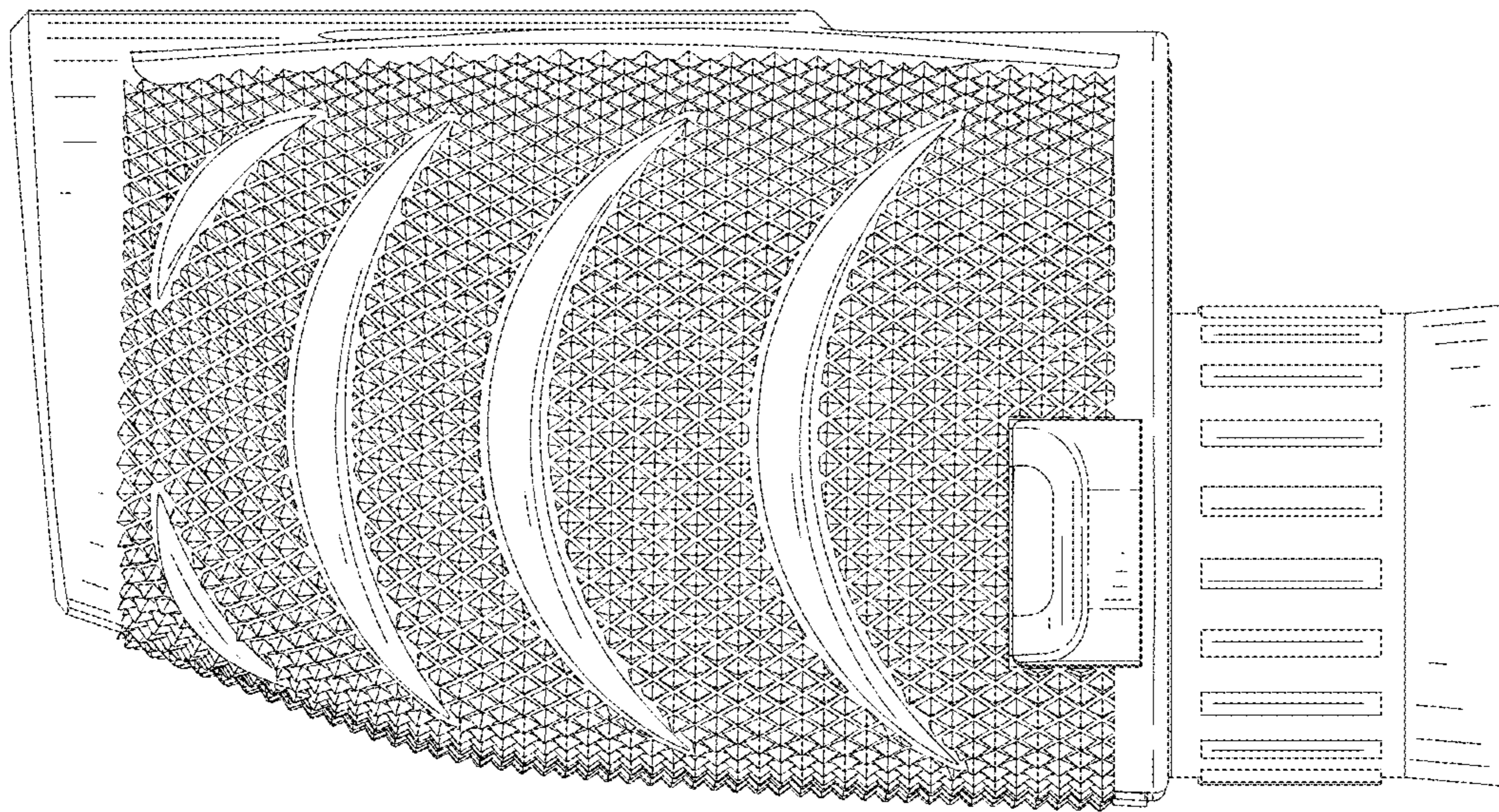


FIG. 4

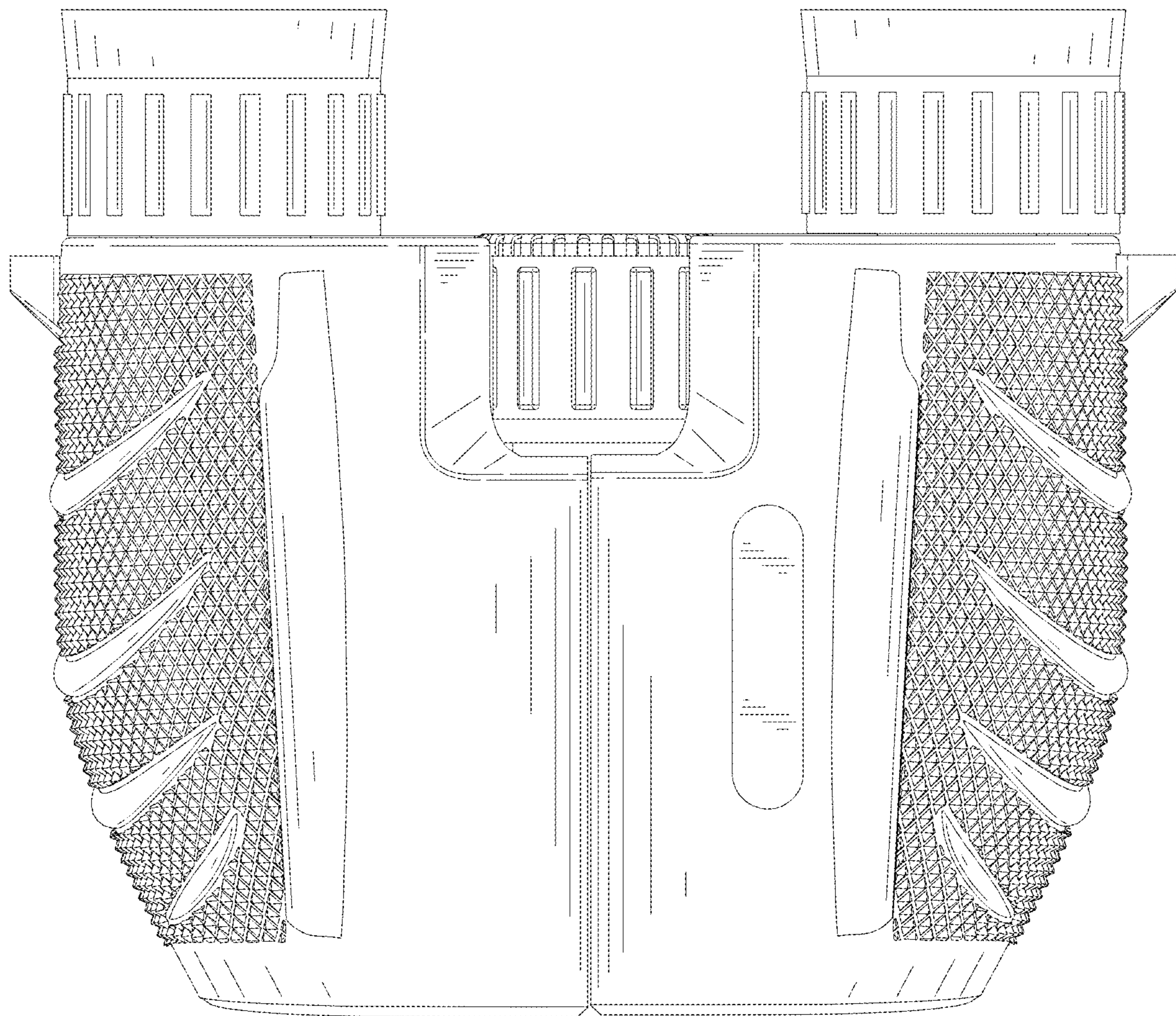


FIG. 5

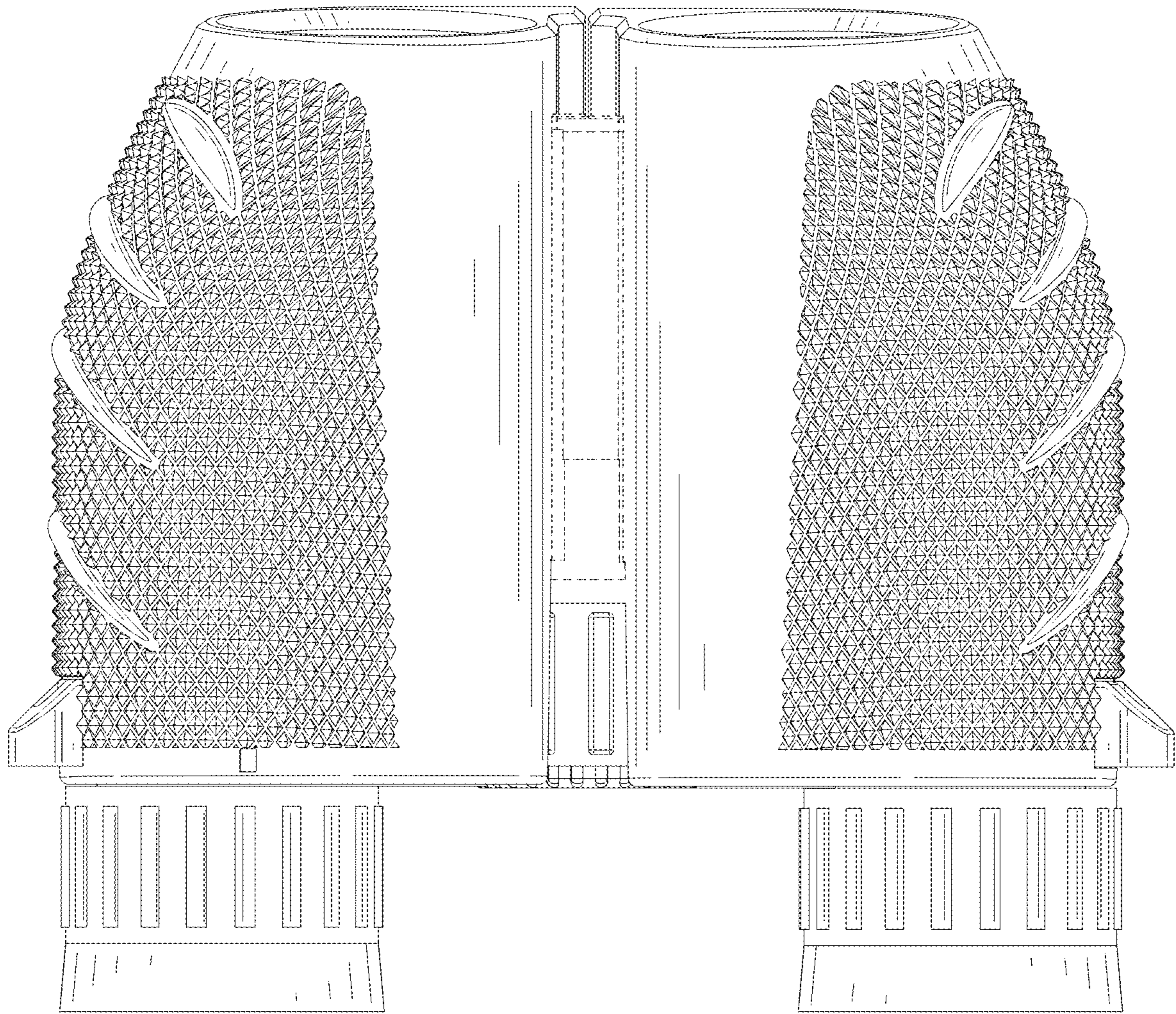


FIG. 6

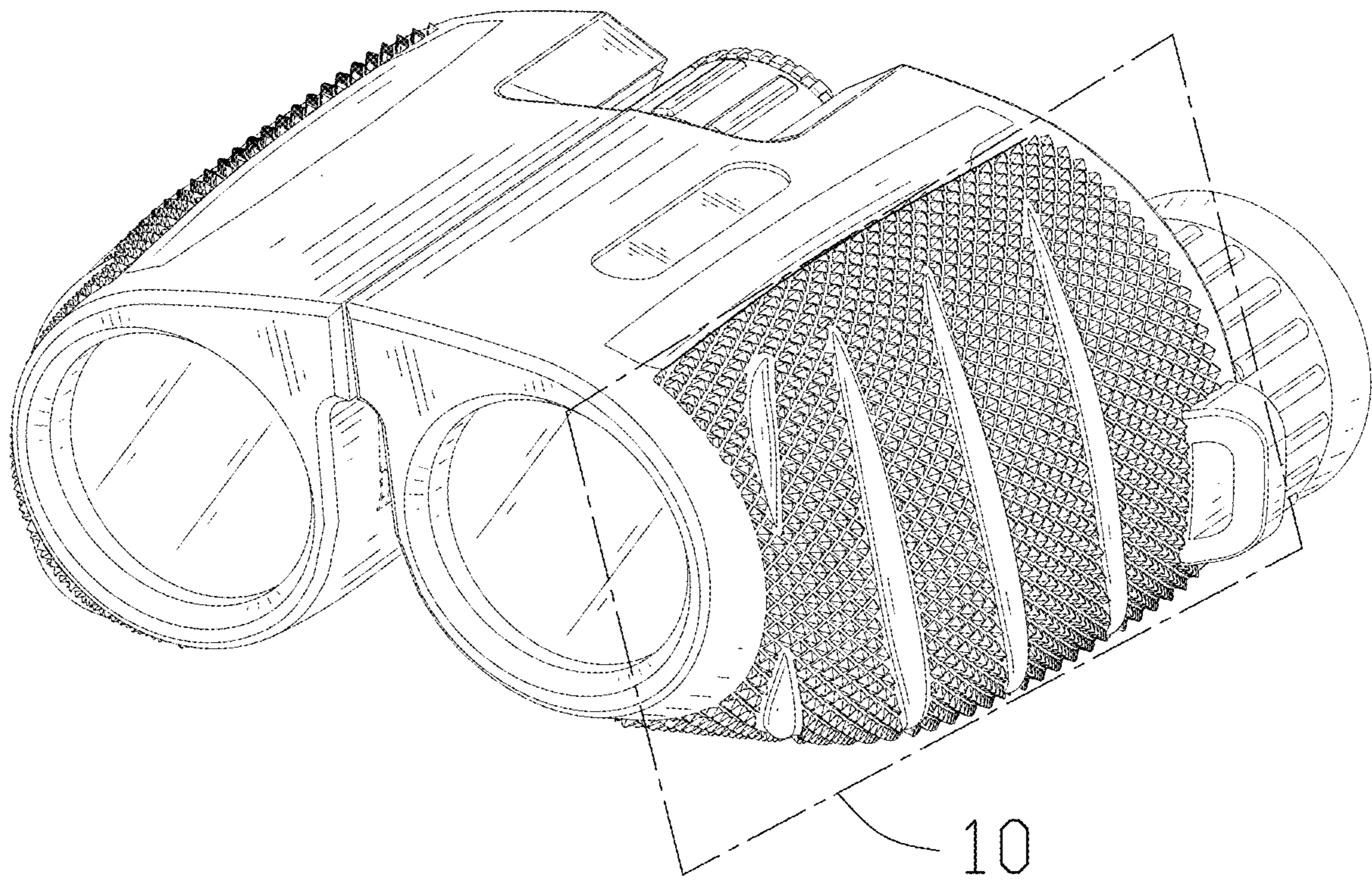


FIG. 7

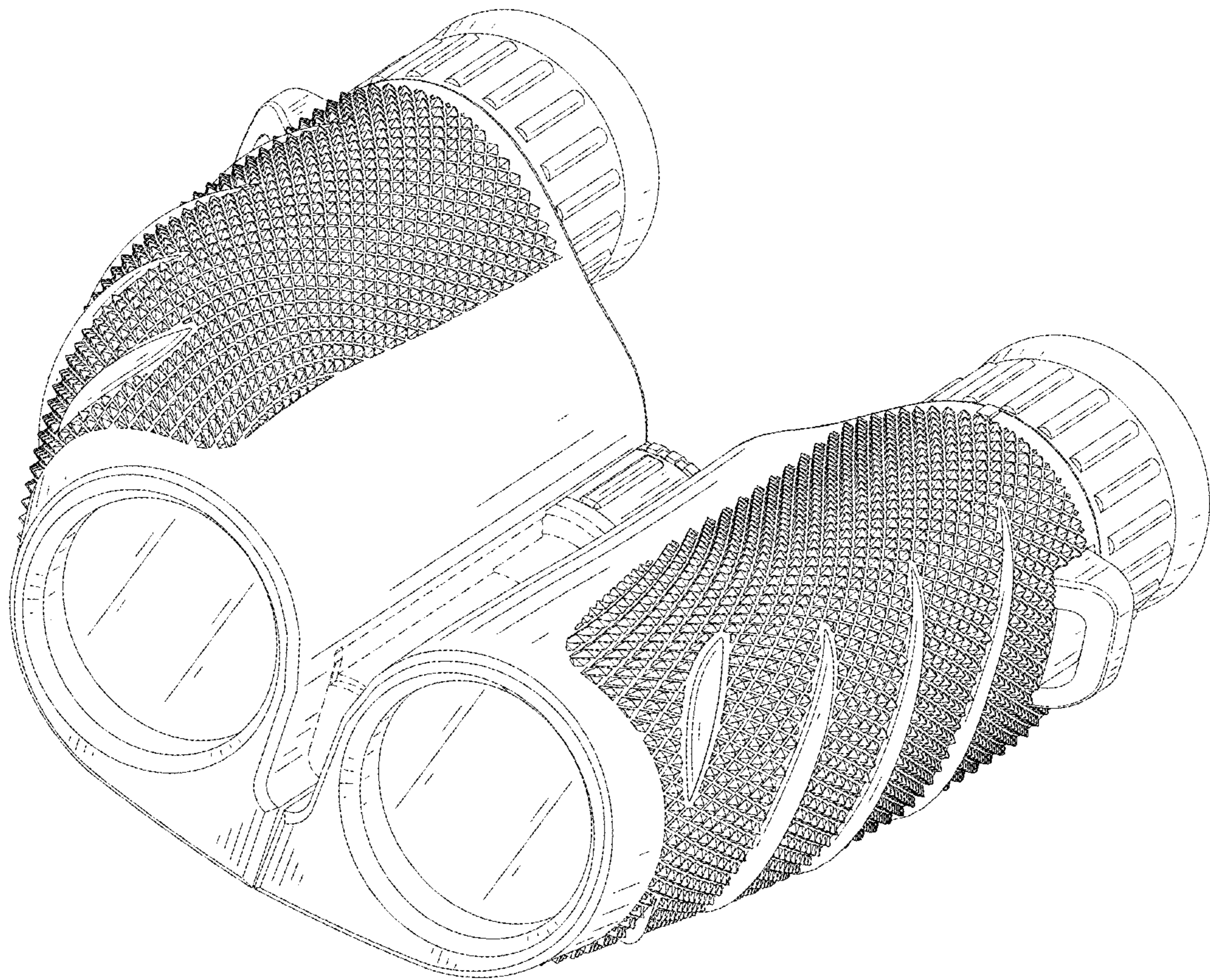


FIG. 8

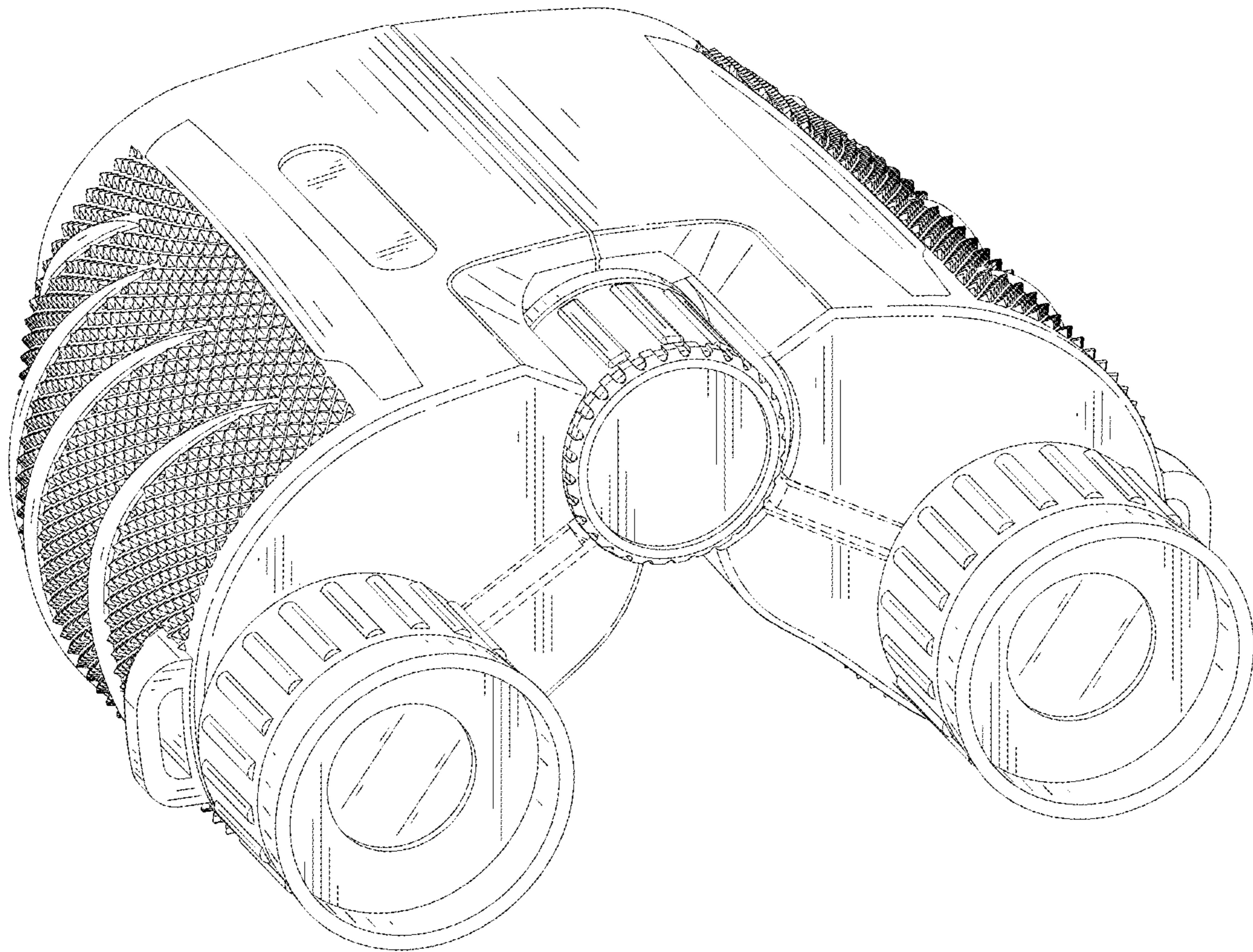


FIG. 9

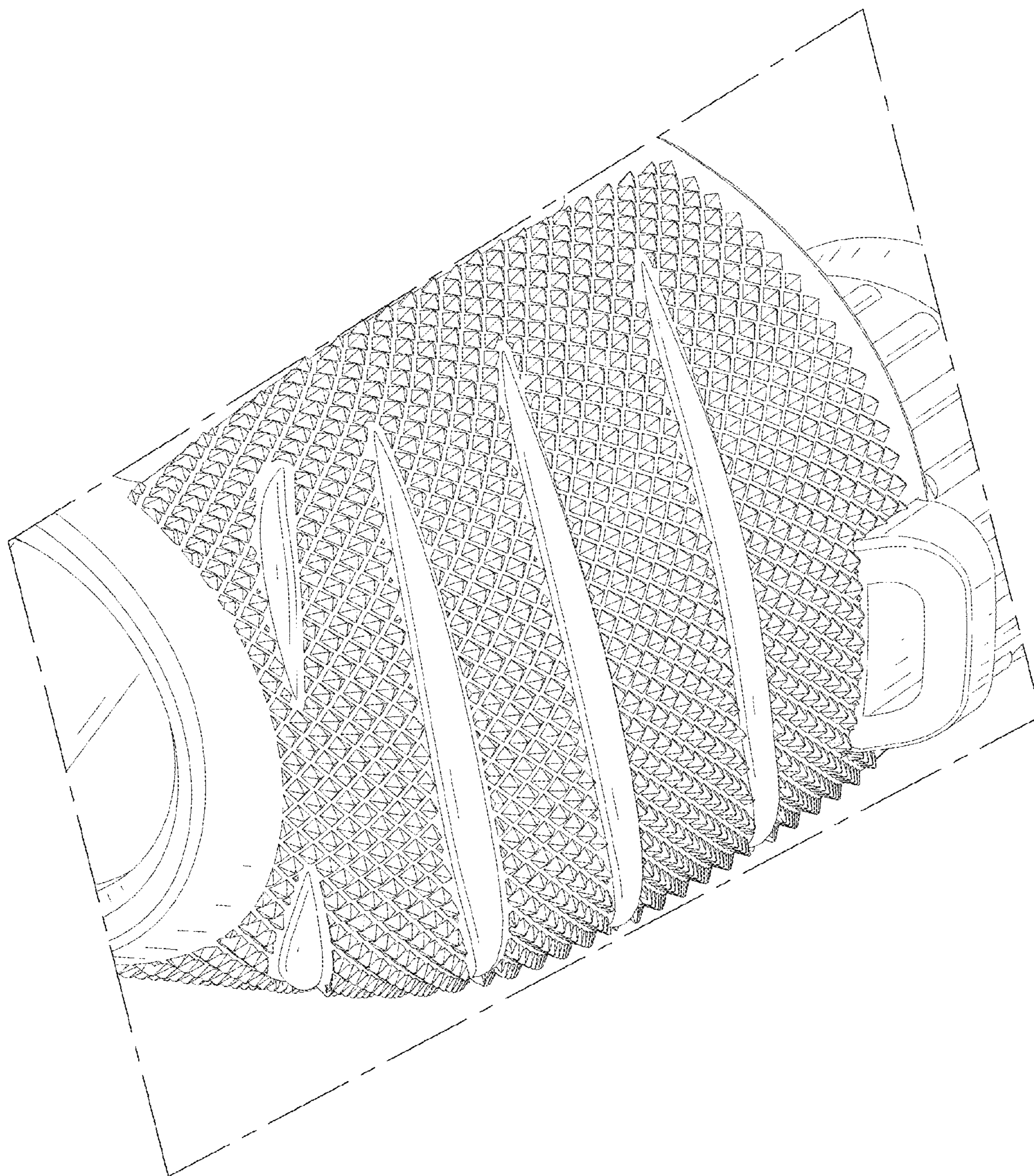


FIG. 10