



US00D928859S

(12) **United States Design Patent**  
**Lee et al.**

(10) **Patent No.:** **US D928,859 S**  
(45) **Date of Patent:** **\*\* Aug. 24, 2021**

- (54) **PERSONAL ROBOT**
- (71) Applicant: **SAMSUNG ELECTRONICS CO., LTD.**, Suwon-si (KR)
- (72) Inventors: **Kyu-Bok Lee**, Suwon-si (KR); **Jin-Hak Lee**, Suwon-si (KR); **Yong-Soo Kwak**, Suwon-si (KR); **Chi-Yul Yoon**, Suwon-si (KR)
- (73) Assignee: **SAMSUNG ELECTRONICS CO., LTD.**, Gyeonggi-Do (KR)
- (\*\*) Term: **15 Years**
- (21) Appl. No.: **29/730,443**
- (22) Filed: **Apr. 3, 2020**

- D478,813 S \* 8/2003 Beene ..... D9/519
- D547,430 S \* 7/2007 Low ..... D21/713
- D564,900 S \* 3/2008 Green ..... D9/504
- D567,673 S \* 4/2008 Chu ..... D10/15
- D582,281 S \* 12/2008 Zanaletti ..... D9/516
- D596,306 S \* 7/2009 Levine ..... D24/214
- D612,245 S \* 3/2010 Canamasas Puigbo ..... D9/519
- D731,180 S \* 6/2015 Neuhaus ..... D3/273
- D758,557 S \* 6/2016 Jih ..... D23/355
- D777,847 S \* 1/2017 Rost ..... D21/680
- D810,166 S \* 2/2018 Lee ..... D15/199
- D824,460 S \* 7/2018 Wang ..... D21/578
- D832,326 S \* 10/2018 Lee ..... A63H 5/00  
D15/199
- D832,327 S \* 10/2018 Miao ..... A63H 33/18  
D15/199
- D843,498 S \* 3/2019 Clerc ..... D21/578
- D855,094 S \* 7/2019 Li ..... D15/199
- 10,399,616 B2 \* 9/2019 Ellerman ..... A63H 33/26
- D866,553 S \* 11/2019 Miura ..... D14/388

(Continued)

- (30) **Foreign Application Priority Data**
- Oct. 18, 2019 (KR) ..... 30-2019-0049573
- (51) **LOC (13) Cl.** ..... **15-99**
- (52) **U.S. Cl.**  
USPC ..... **D15/199**
- (58) **Field of Classification Search**  
USPC ..... D15/199; D21/578-583, 621, 622;  
D32/21; D34/34  
CPC ..... B25J 5/007; B25J 11/00; B25J 11/008;  
B62D 57/024; G06N 3/008; Y10S 901/01  
See application file for complete search history.

*Primary Examiner* — Patricia A Palasik  
(74) *Attorney, Agent, or Firm* — Cantor Colburn LLP

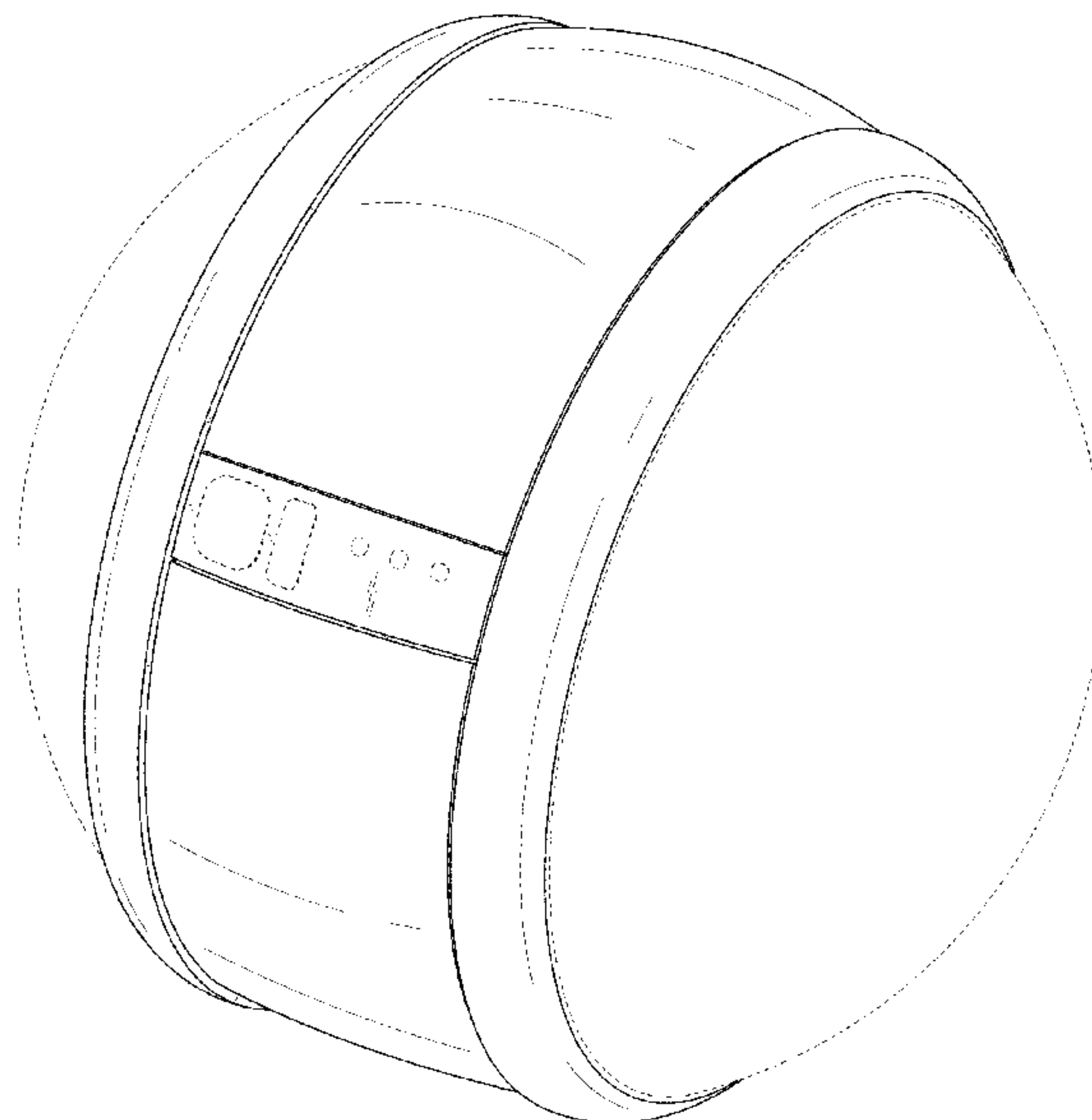
- (56) **References Cited**
- U.S. PATENT DOCUMENTS
- D324,106 S \* 2/1992 Greenblatt ..... D24/200
- D420,403 S \* 2/2000 Bart ..... D21/398
- 6,368,176 B1 \* 4/2002 Lozowski ..... A63H 5/00  
446/169
- 6,428,432 B1 \* 8/2002 Kachel ..... A63B 43/06  
473/570
- D465,733 S \* 11/2002 Hill ..... D9/519

(57) **CLAIM**  
The ornamental design for a personal robot, as shown and described.

**DESCRIPTION**

FIG. 1 is a front perspective view of a personal robot, showing our new design;  
FIG. 2 is a front view thereof;  
FIG. 3 is a rear view thereof;  
FIG. 4 is a left-side view thereof;  
FIG. 5 is a right-side view thereof;  
FIG. 6 is a top view thereof;  
FIG. 7 is a bottom view thereof; and,  
FIG. 8 is a rear perspective view thereof.  
The broken lines illustrating portions of the personal robot form no part of the claimed design.

**1 Claim, 8 Drawing Sheets**



(56)

**References Cited**

U.S. PATENT DOCUMENTS

D872,384 S \* 1/2020 Crane ..... D30/160  
D881,886 S \* 4/2020 Bidwell ..... D14/420  
D910,728 S \* 2/2021 Chung ..... D15/199  
D910,729 S \* 2/2021 Chung ..... D15/199  
D912,114 S \* 3/2021 Reichert ..... D15/199  
2004/0253904 A1\* 12/2004 Lin ..... A63B 23/12  
446/236  
2005/0043125 A1\* 2/2005 Nakano ..... A63H 33/18  
473/571  
2015/0224640 A1\* 8/2015 Vu ..... B25J 5/007  
700/259  
2018/0024561 A1\* 1/2018 Soh ..... G05D 1/0272  
700/258  
2018/0043838 A1\* 2/2018 Ellerman ..... A63H 33/26  
2019/0009181 A1\* 1/2019 Kroyan ..... B25J 9/1697  
2019/0061161 A1\* 2/2019 Higuchi ..... G05D 1/0255

\* cited by examiner

FIG. 1

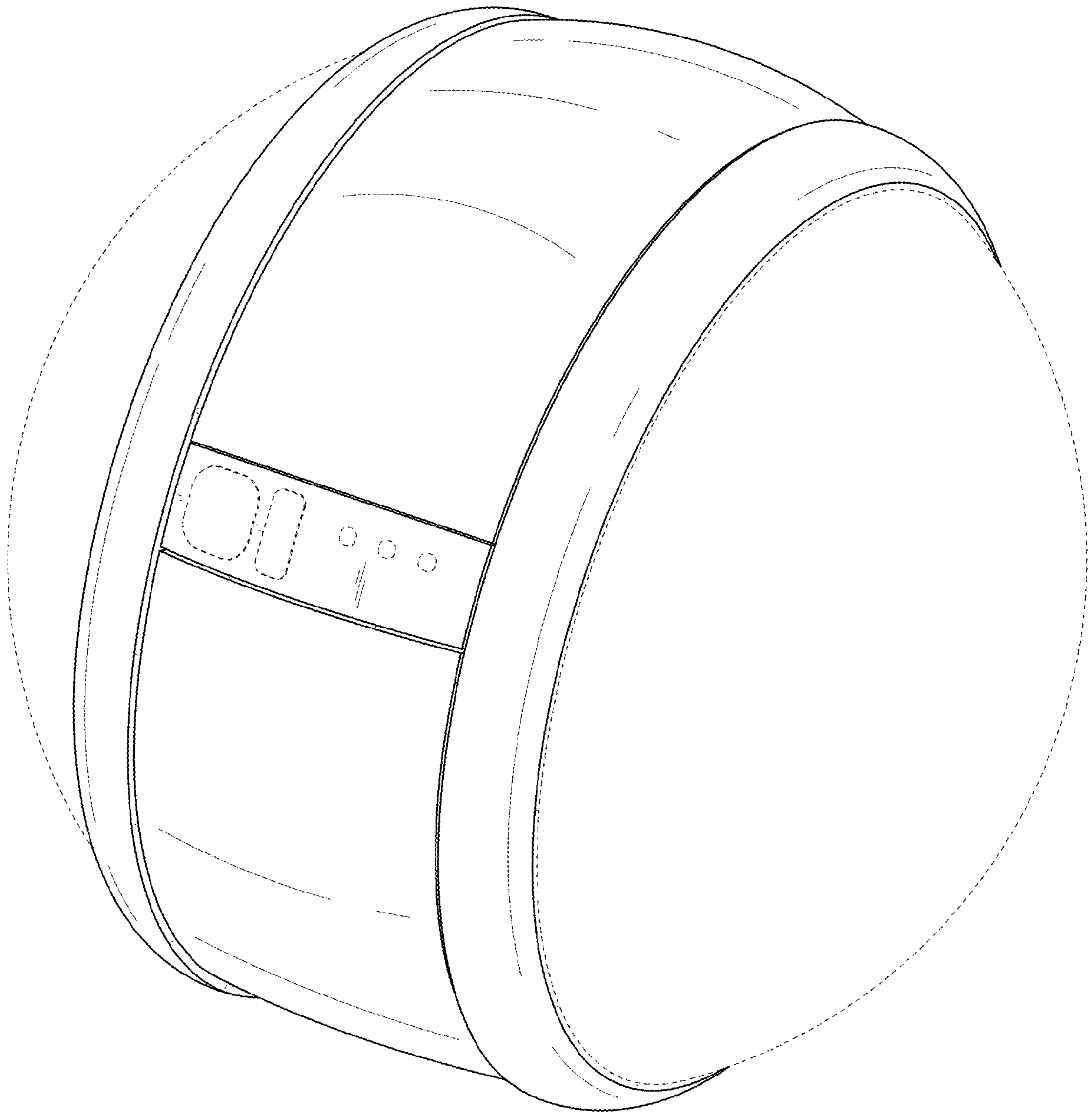


FIG. 2

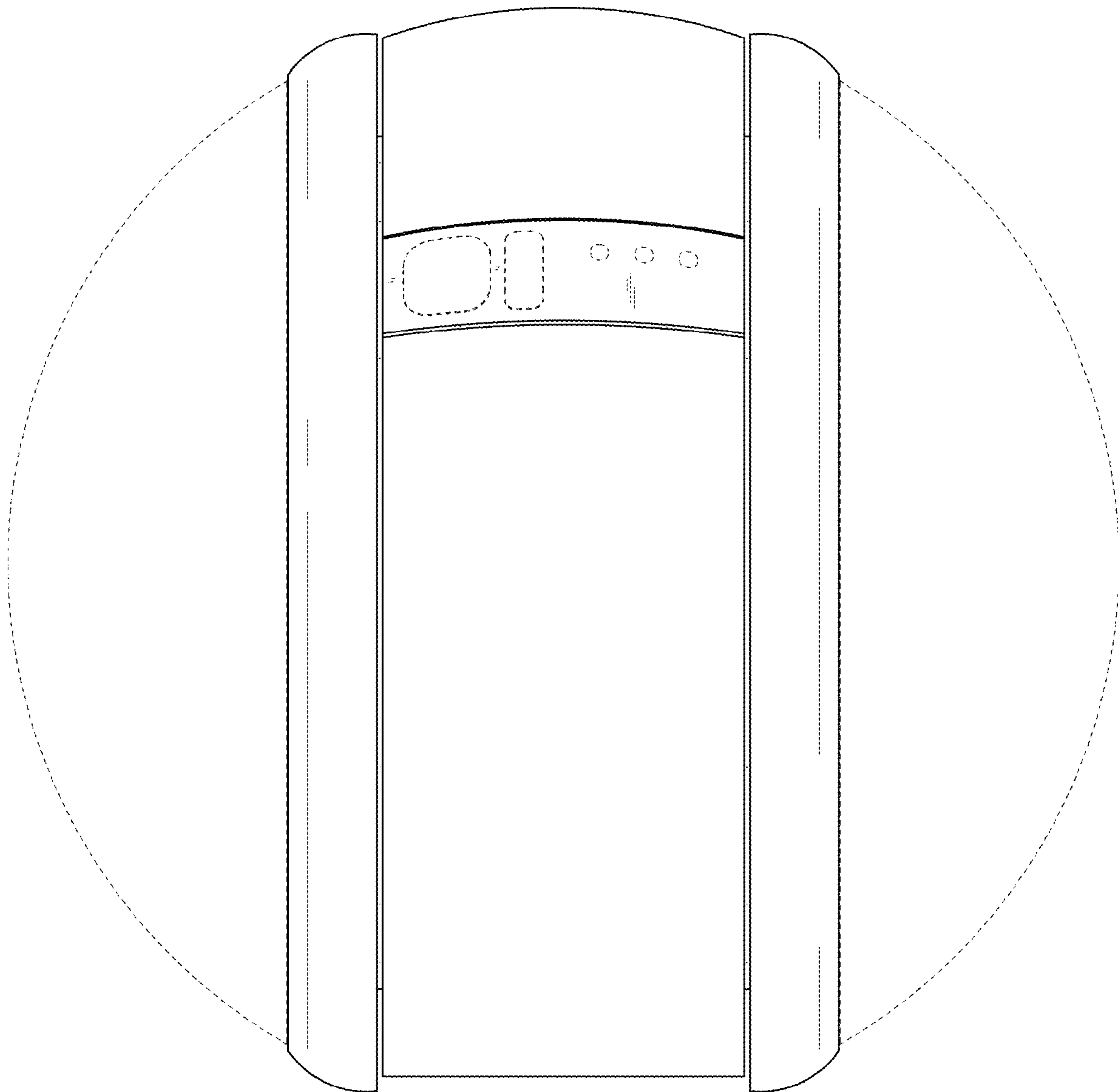


FIG. 3

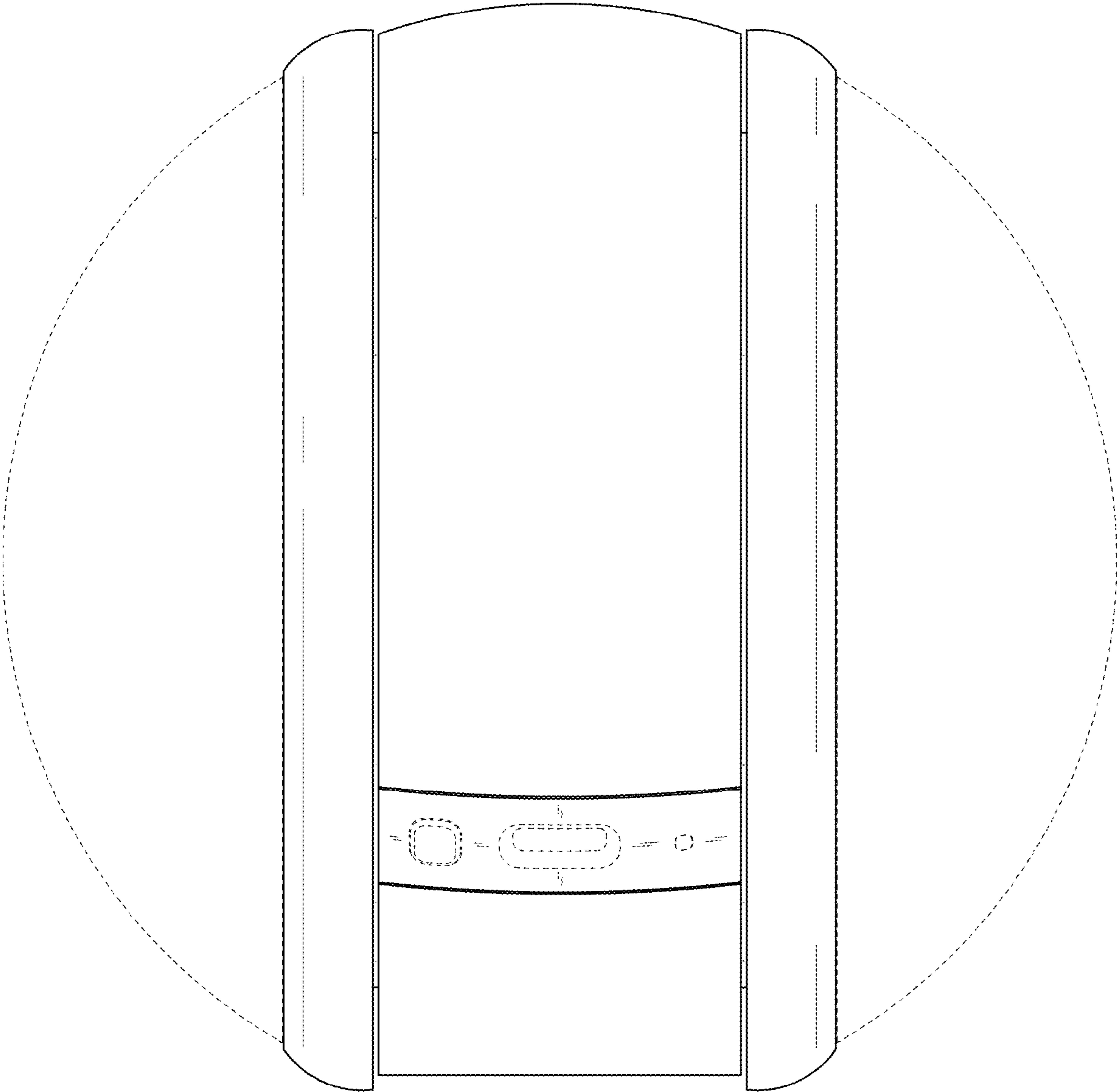


FIG. 4

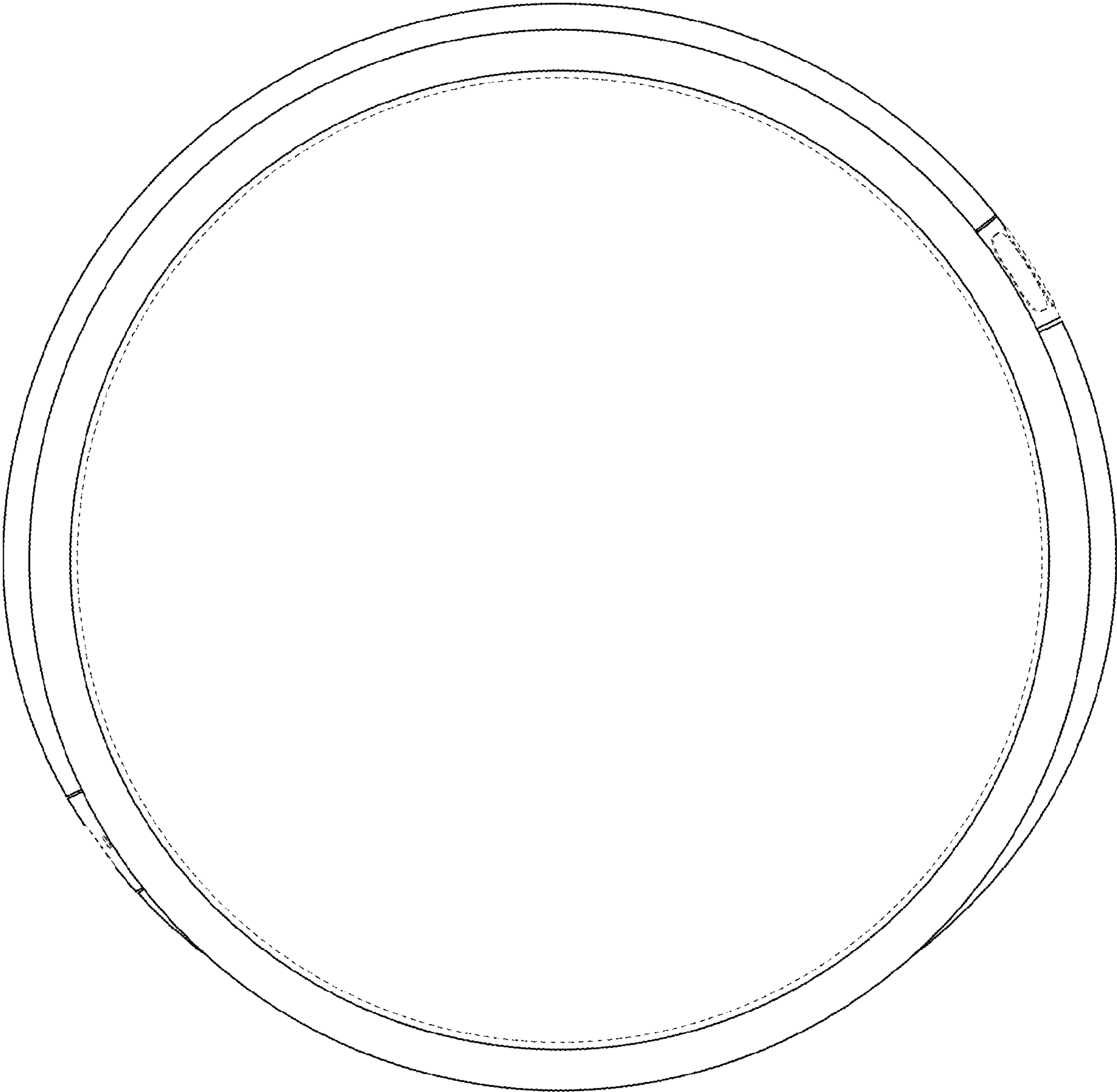




FIG. 5

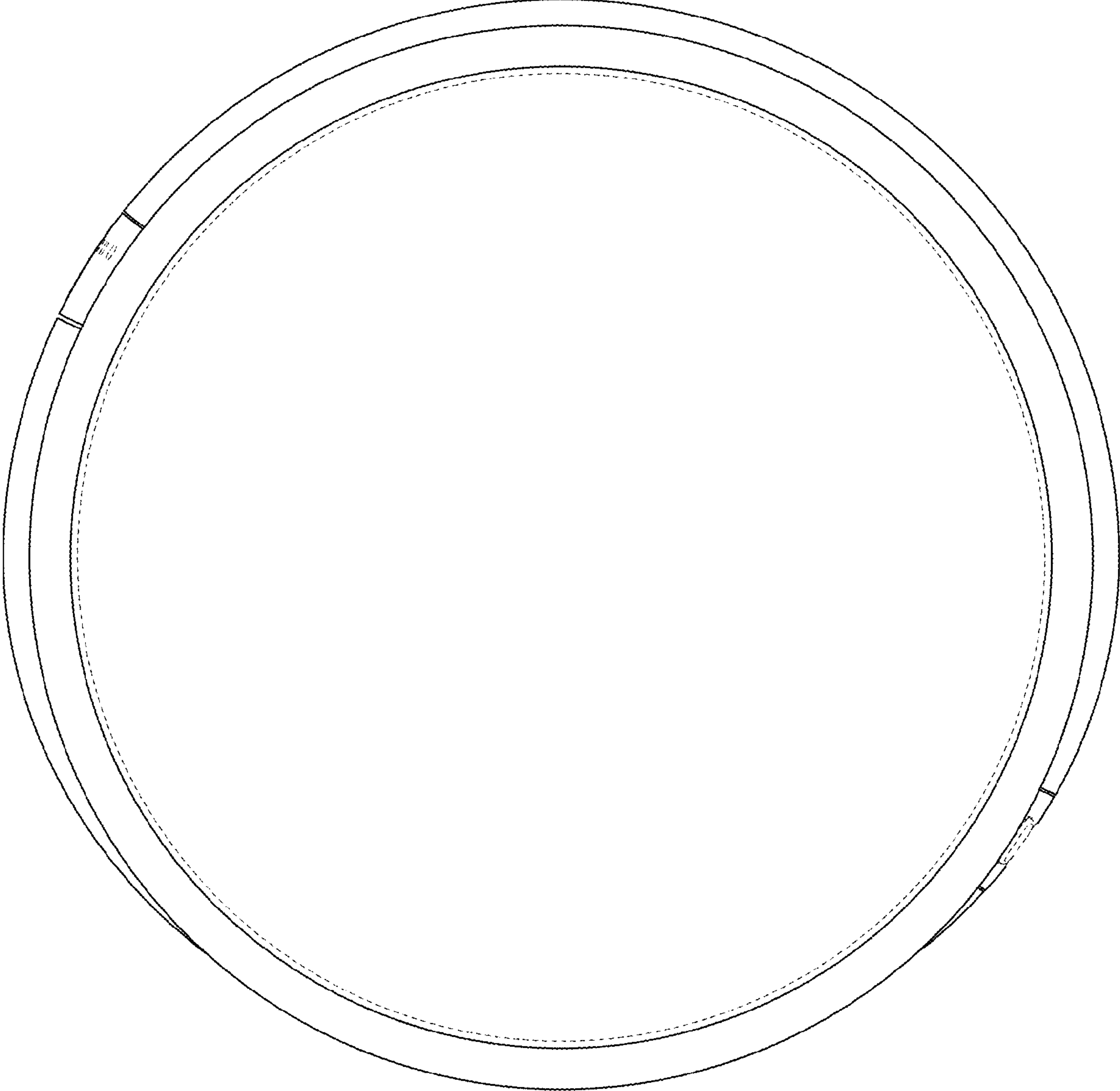


FIG. 6

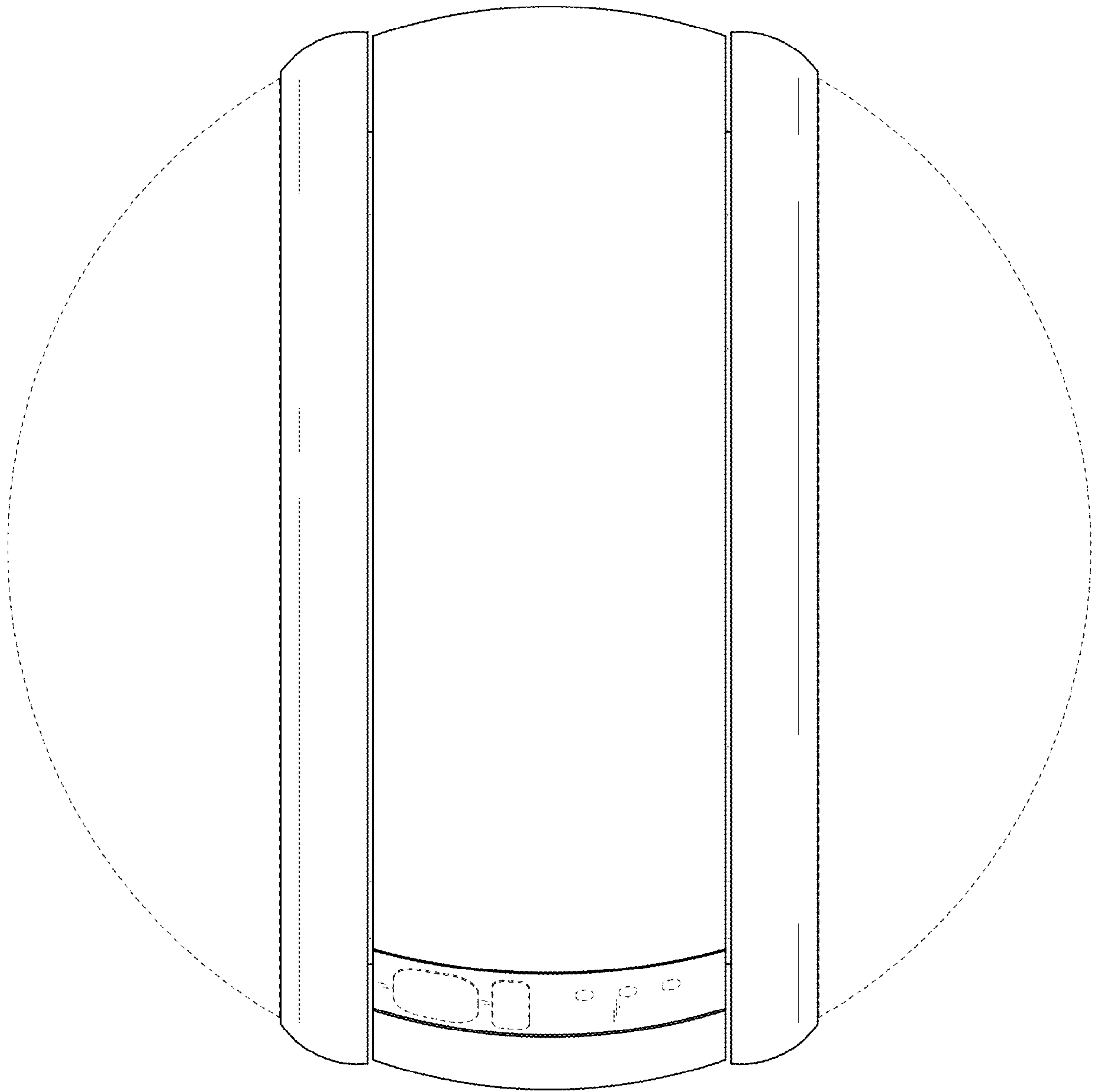




FIG. 7

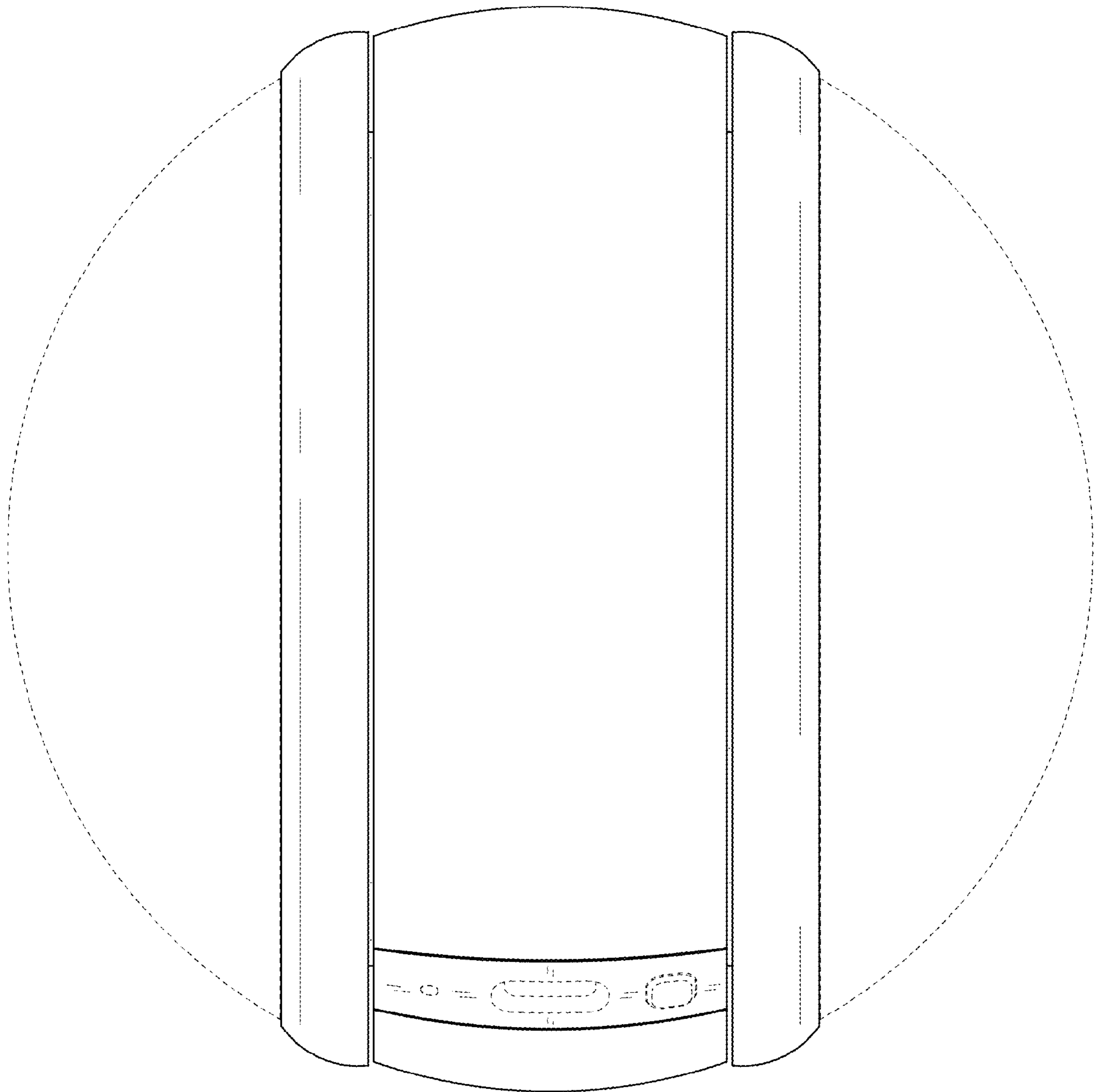


FIG. 8

