



US00D928856S

(12) **United States Design Patent** (10) **Patent No.:** **US D928,856 S**
Shang (45) **Date of Patent:** **** Aug. 24, 2021**

(54) **GEARBOX FOR HONEY CENTRIFUGE**
(71) Applicant: **Henan Changda Bee Industry Co., Ltd, Changege (CN)**
(72) Inventor: **Guoqiang Shang, Changege (CN)**
(**) Term: **15 Years**
(21) Appl. No.: **29/694,476**
(22) Filed: **Jun. 11, 2019**
(51) **LOC (13) Cl.** **15-09**
(52) **U.S. Cl.**
USPC **D15/148**
(58) **Field of Classification Search**
USPC D15/5, 122, 138, 148, 149
CPC B62M 1/105; F16D 11/14; F16H 3/091;
F16H 33/06; F16H 63/30; F16H
2063/3093
See application file for complete search history.

7,282,019 B2 * 10/2007 Lantz B04B 1/20
494/53
D572,281 S * 7/2008 Wei D15/143
7,534,358 B2 * 5/2009 Whisler B04B 3/06
210/360.1
D600,725 S * 9/2009 Iwai D15/143
7,908,764 B1 * 3/2011 Estes F26B 5/08
34/58
D679,303 S * 4/2013 Cibien D15/149
8,465,406 B2 * 6/2013 Overberg B04B 1/20
494/53
8,808,154 B2 * 8/2014 Wagenbauer B04B 1/2016
494/15
9,050,607 B2 * 6/2015 Heley B04B 7/16
D780,119 S * 2/2017 Schieck D13/112
9,861,991 B2 * 1/2018 Hilpert B04B 1/2016
2002/0132718 A1 * 9/2002 Koch B04B 11/06
494/53

(Continued)

FOREIGN PATENT DOCUMENTS

CN 102261825 A * 11/2011
CN 103981475 A * 8/2014
CN 208311112 U * 1/2019

Primary Examiner — Patricia A Palasik
(74) *Attorney, Agent, or Firm* — W&K IP

(56) **References Cited**

U.S. PATENT DOCUMENTS

4,978,331 A * 12/1990 Luchetta B04B 1/2016
210/380.3
5,792,039 A * 8/1998 Green B04B 1/20
494/53
D400,220 S * 10/1998 Nemoto D15/148
6,155,964 A * 12/2000 Hensley B01D 61/14
494/53
D437,334 S * 2/2001 Song D15/148
6,230,899 B1 * 5/2001 Hensley B04B 11/06
210/369
6,605,029 B1 * 8/2003 Koch B04B 1/20
494/53
D481,403 S * 10/2003 Yasui D15/149
D481,745 S * 11/2003 Yasui D15/149
7,018,326 B2 * 3/2006 Koch B04B 1/20
494/53
D549,663 S * 8/2007 Tsou D13/147

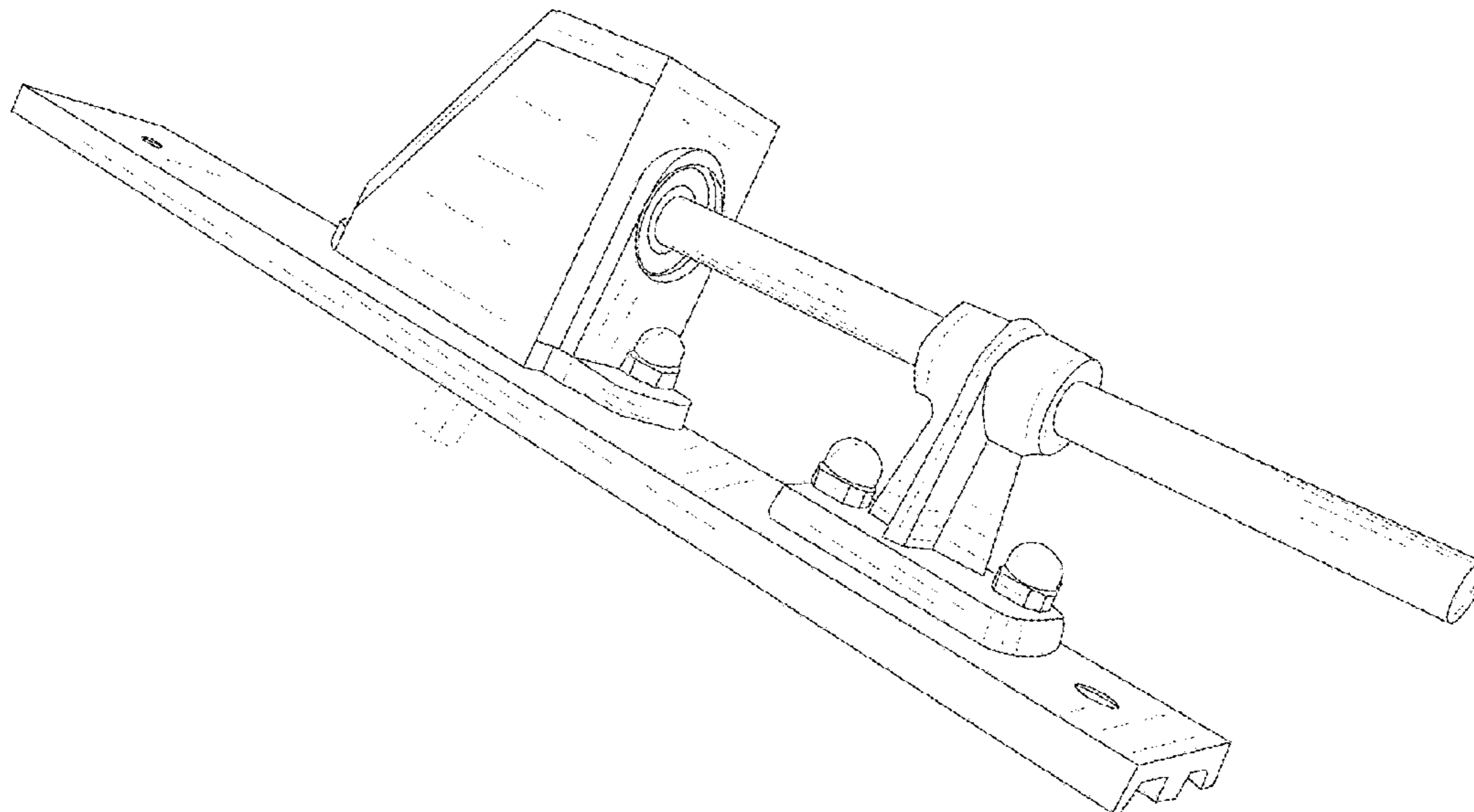
(57) **CLAIM**

The ornamental design for a gearbox for honey centrifuge, as shown and described.

DESCRIPTION

FIG. 1 is a front perspective view of a gearbox for honey centrifuge showing my new design;
FIG. 2 is a front elevational view thereof;
FIG. 3 is a rear elevational view thereof;
FIG. 4 is a left side elevational view thereof;
FIG. 5 is a right side elevational view thereof;
FIG. 6 is a top plan view thereof; and,
FIG. 7 is a bottom plan view thereof.

1 Claim, 7 Drawing Sheets



(56)

References Cited

U.S. PATENT DOCUMENTS

2014/0235420 A1* 8/2014 Hilpert B04B 11/04
494/10
2017/0232453 A1* 8/2017 Ando B04B 15/06
494/27
2017/0276214 A1* 9/2017 Cockrell F16H 1/20
2017/0373558 A1* 12/2017 Ramirez, Jr. H02K 11/33
2021/0001353 A1* 1/2021 Scherer B04B 9/08

* cited by examiner

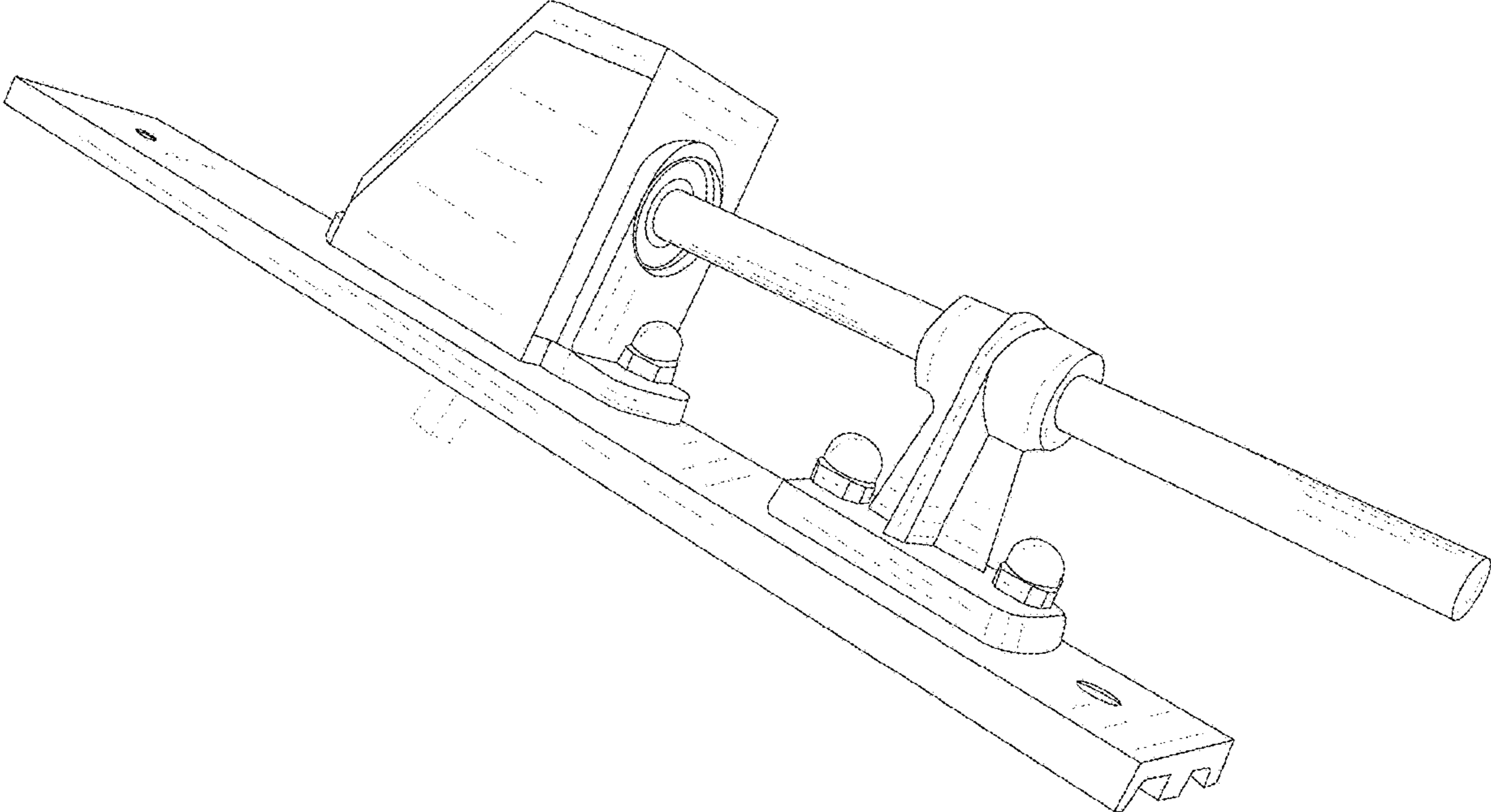


FIG.1

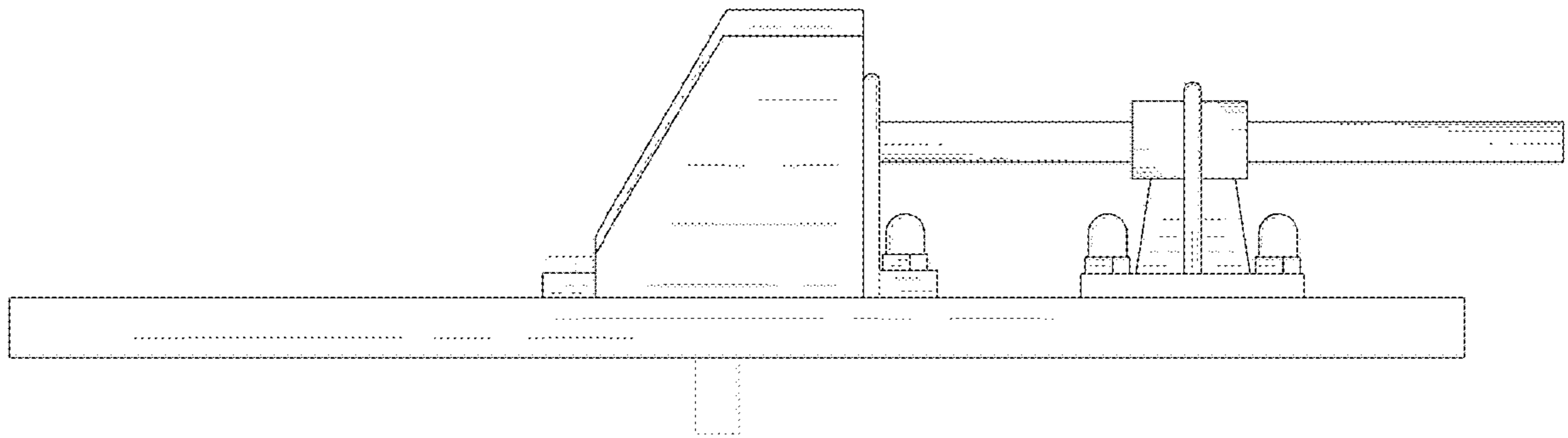


FIG.2

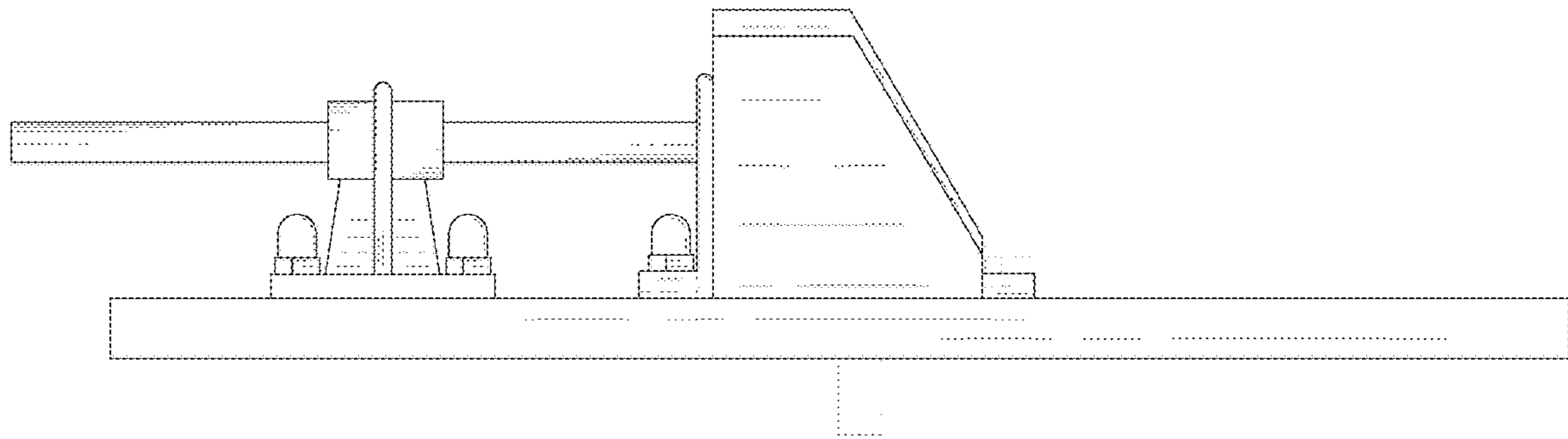


FIG.3

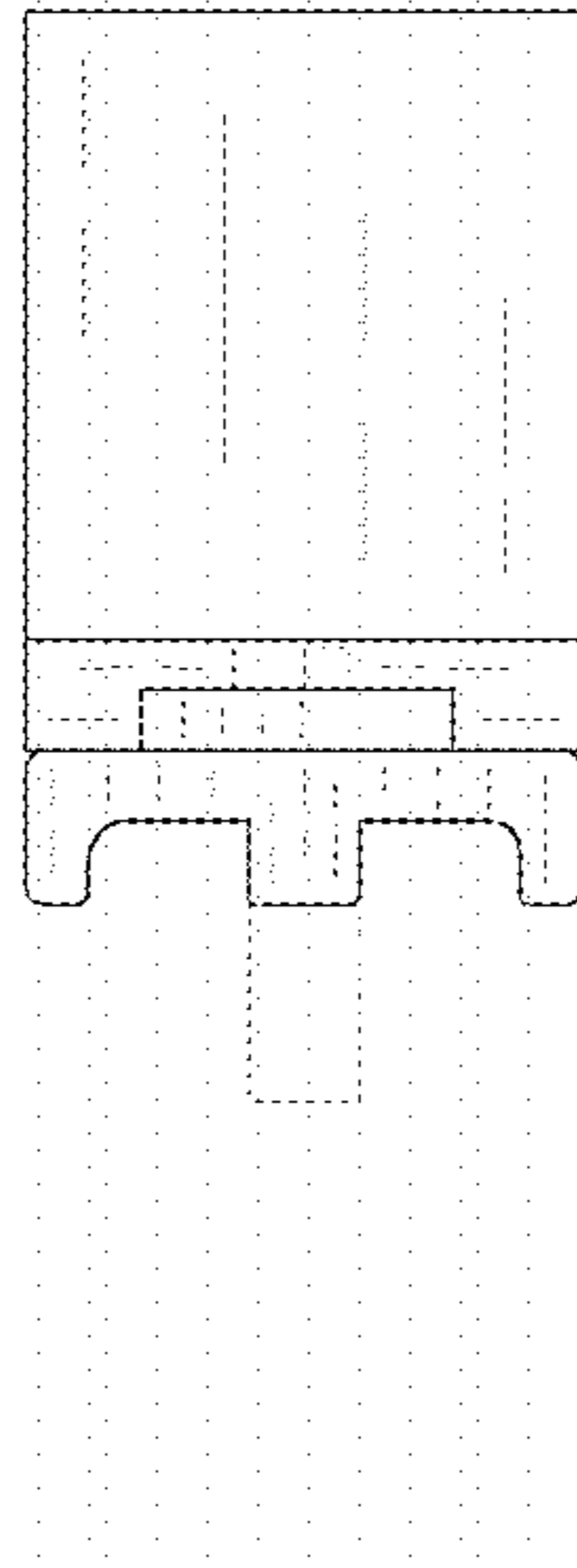


FIG.4

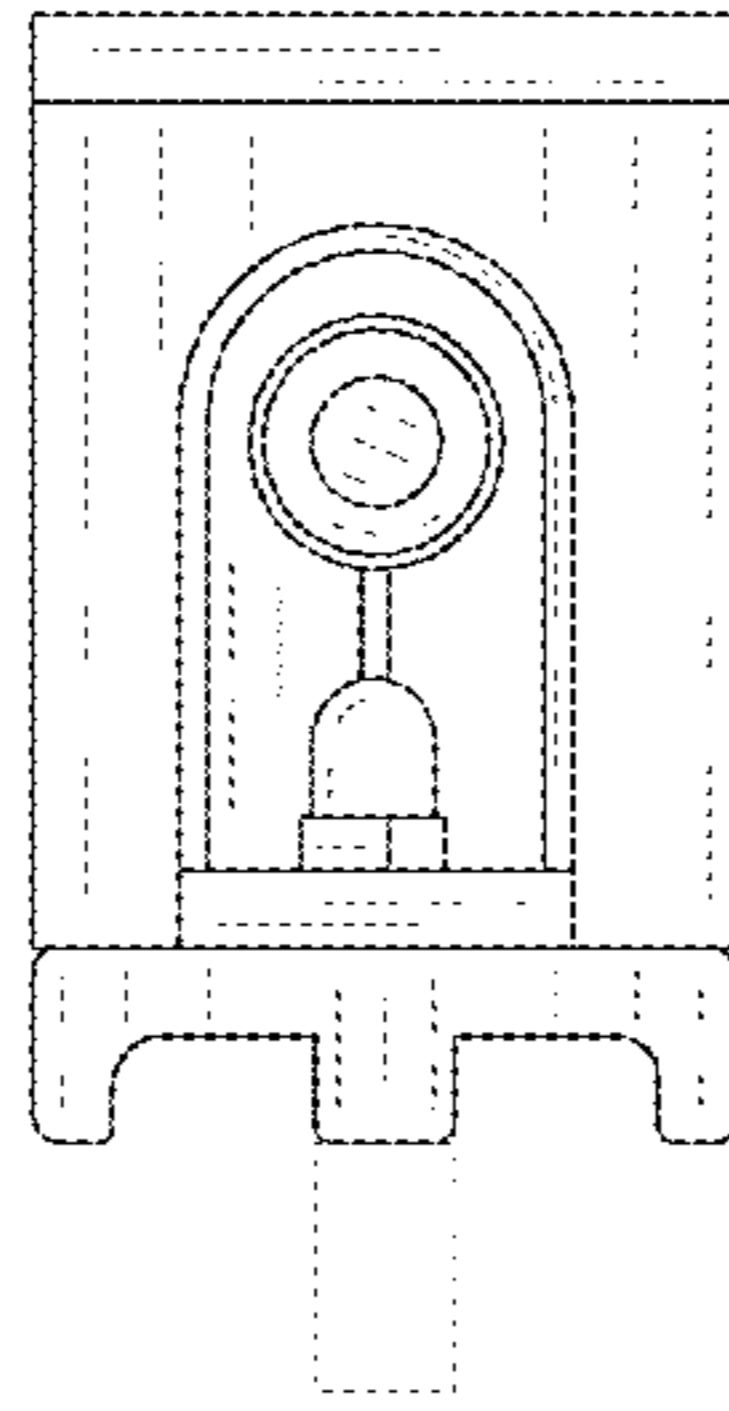


FIG.5

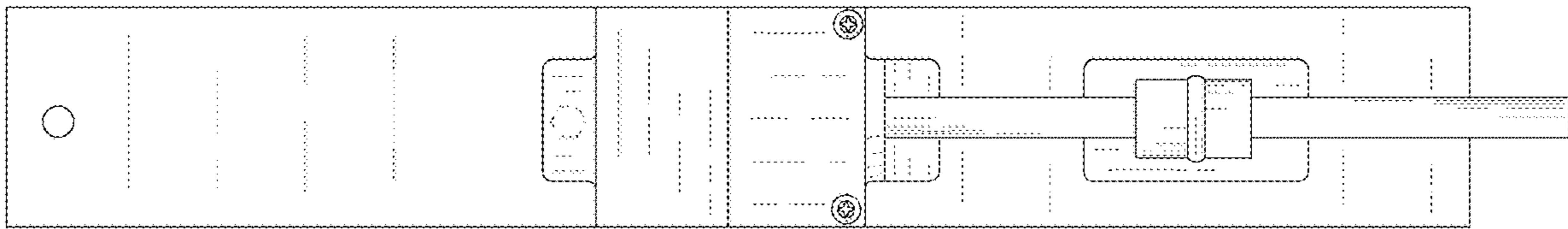


FIG.6

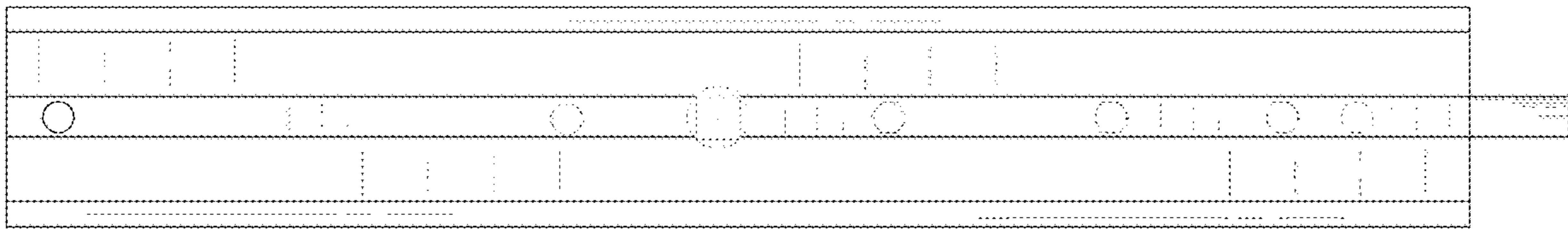


FIG.7