



US00D928855S

(12) **United States Design Patent** (10) **Patent No.:** **US D928,855 S**
Weber et al. (45) **Date of Patent:** **** Aug. 24, 2021**

- (54) **SPADE DRILL BIT**
- (71) Applicant: **Disston Company**, Chicopee, MA (US)
- (72) Inventors: **Jeffrey Tuttle Weber**, Chicopee, MA (US); **Xuan Li**, Guangzhou (CN)
- (73) Assignee: **Disston Company**, Chicopee, MA (US)
- (**) Term: **15 Years**
- (21) Appl. No.: **29/705,634**
- (22) Filed: **Sep. 13, 2019**
- (51) **LOC (13) Cl.** **15-09**
- (52) **U.S. Cl.**
USPC **D15/139**
- (58) **Field of Classification Search**
USPC D8/20, 61, 70, 85, 86; D15/138, 139, D15/140
CPC B23B 51/02; B23B 2251/18; B23B 2251/241; B23B 2251/404; Y10T 408/04; Y10T 408/78; Y10T 408/89; Y10T 408/909; Y10T 408/9095; Y10T 408/9097
See application file for complete search history.

(56) **References Cited**

U.S. PATENT DOCUMENTS

D372,485	S	*	8/1996	Stone	D15/139
D376,809	S	*	12/1996	Stone	D15/139
D394,663	S	*	5/1998	Stone	D15/139
D455,446	S	*	4/2002	Collins	D15/139
D507,585	S	*	7/2005	Held	D15/139
D580,462	S	*	11/2008	Liao	D15/139
D585,920	S	*	2/2009	Liao	D15/139
D604,751	S	*	11/2009	Dost	D15/139
D608,801	S	*	1/2010	Evatt	D15/139
D627,805	S	*	11/2010	Dost	D15/139
D872,782	S	*	1/2020	Howell	D15/139
D890,826	S	*	7/2020	Howell	D15/139
D892,183	S	*	8/2020	Parendo	D15/139

* cited by examiner

Primary Examiner — Michael C Stout
Assistant Examiner — Fritzgerald L Butac
(74) *Attorney, Agent, or Firm* — K&L Gates LLP

(57) **CLAIM**

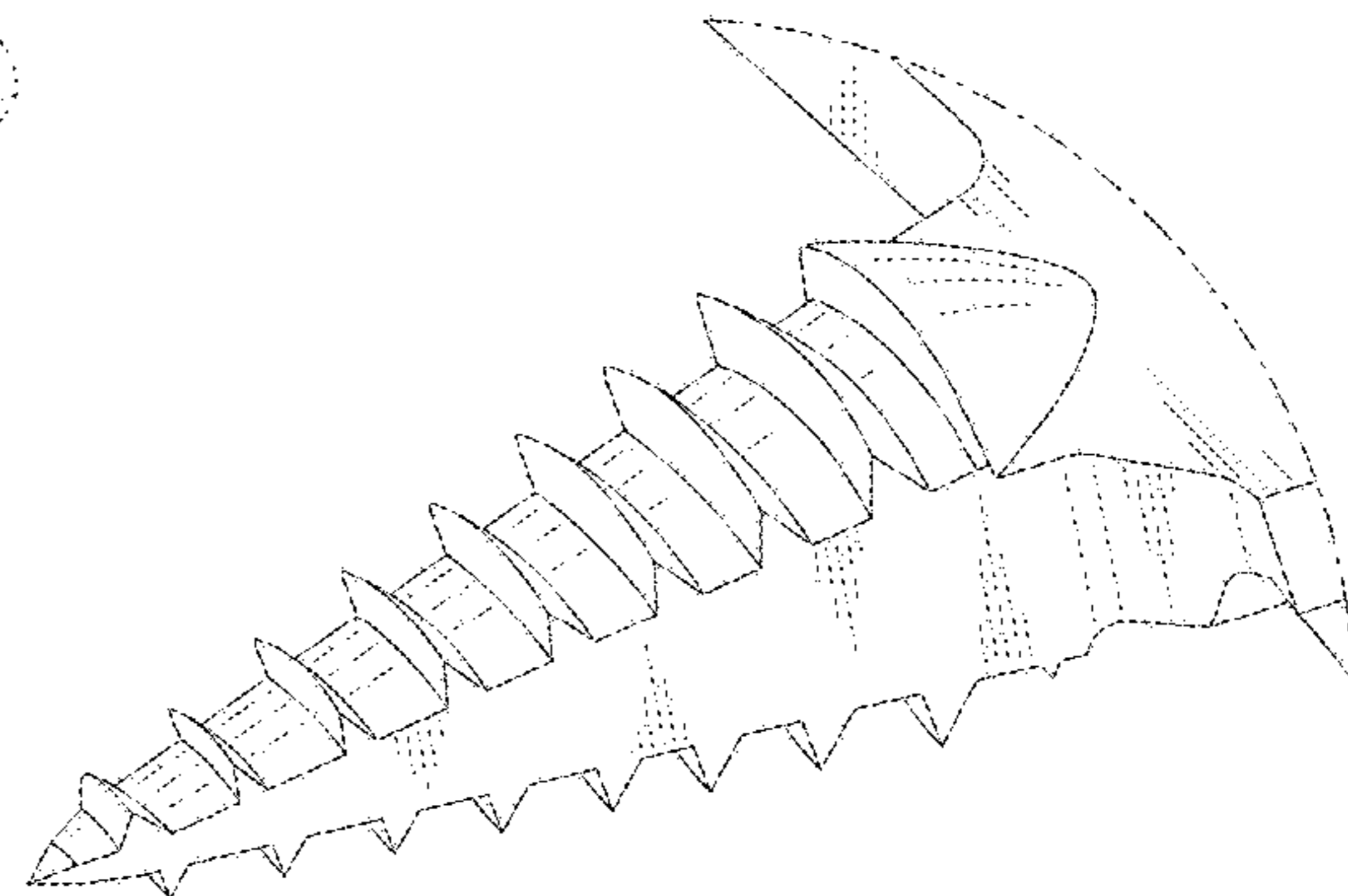
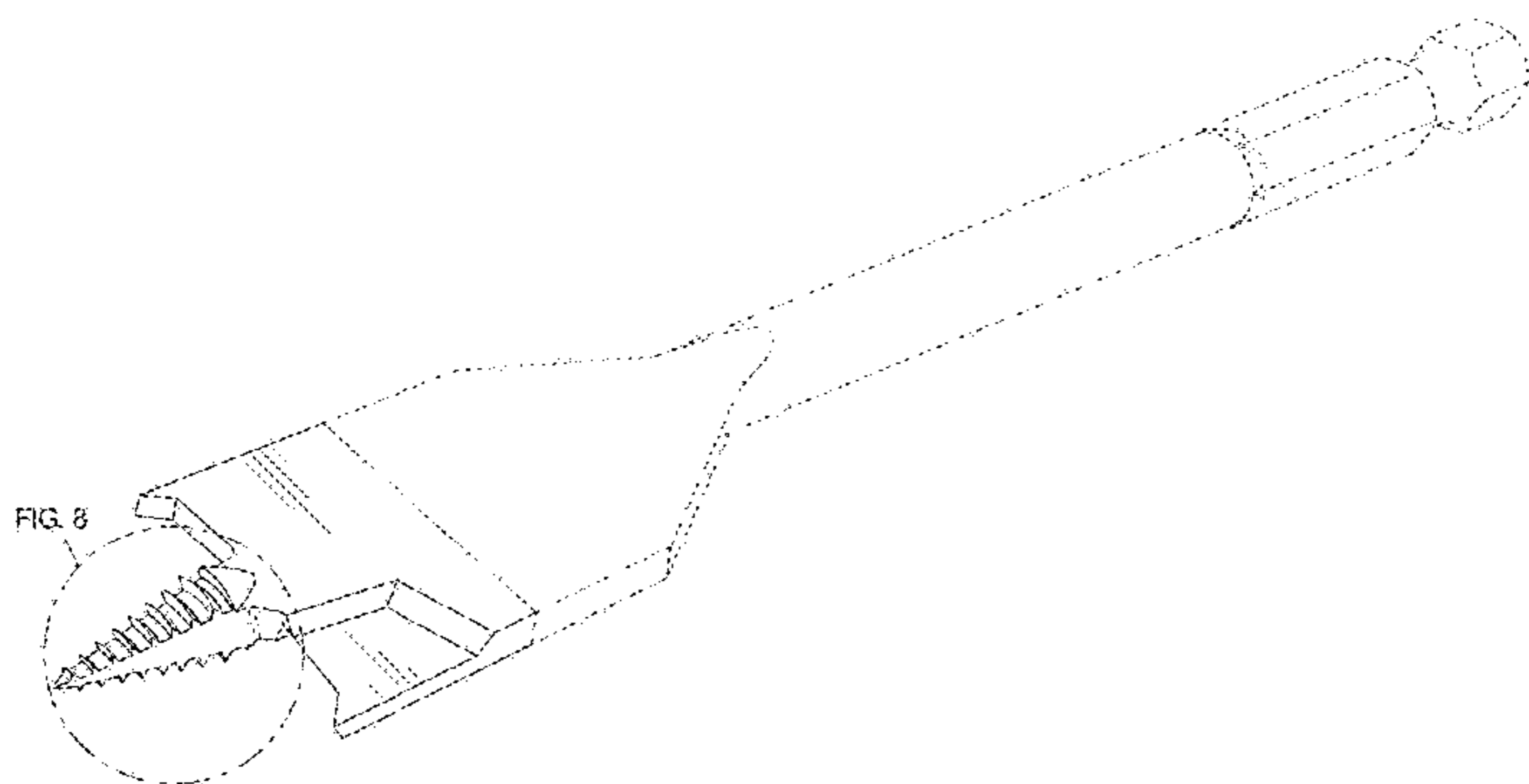
We claim the ornamental design for the spade drill bit, as illustrated and described.

DESCRIPTION

FIG. 1 is a top, front, right side perspective view of a spade drill bit showing our new design;
 FIG. 2 is a top view thereof;
 FIG. 3 is a left side view thereof;
 FIG. 4 is a bottom view thereof;
 FIG. 5 is a right side view thereof;
 FIG. 6 is a front view thereof;
 FIG. 7 is a rear view thereof;
 FIG. 8 is an enlarged, sectioned portion highlighted in FIG. 1;
 FIG. 9 is an enlarged, sectioned portion highlighted in FIG. 2;
 FIG. 10 is a left side view of the enlarged section portion as seen in FIG. 3;
 FIG. 11 is a bottom view of the enlarged section portion as seen in FIG. 4;
 FIG. 12 is a right side view of the enlarged section portion as seen in FIG. 5;
 FIG. 13 is a front view of the enlarged section portion as seen in FIG. 6; and,
 FIG. 14 is a rear view of the enlarged section portion as seen in FIG. 7.

The broken lines in the drawings depict portions of the spade drill bit that form no part of the claimed design.
 The “dash-dot” broken lines represent the boundaries of the enlarged sectioned portions of the claimed design, and form no part thereof.

1 Claim, 11 Drawing Sheets



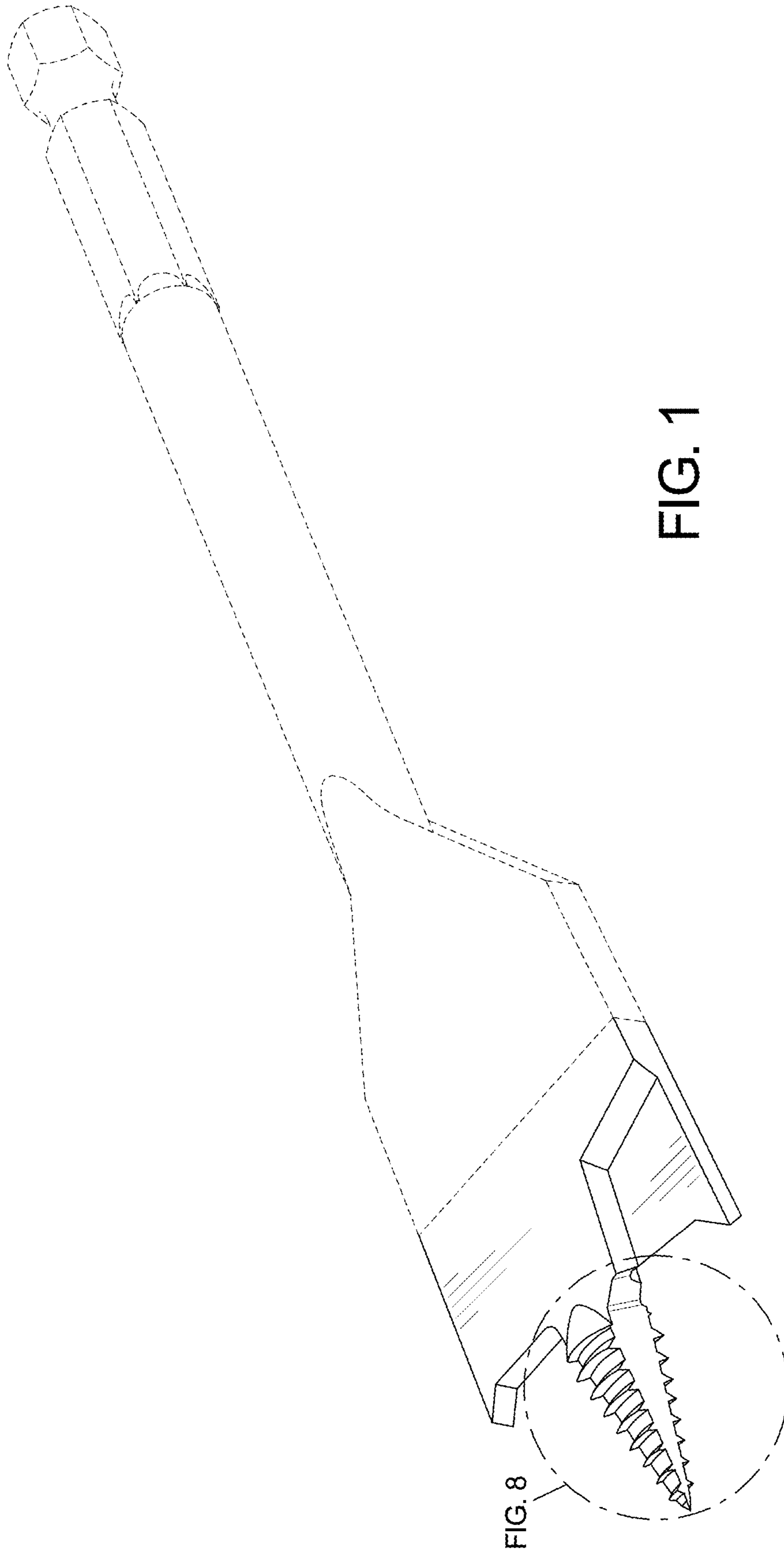


FIG. 1

FIG. 8

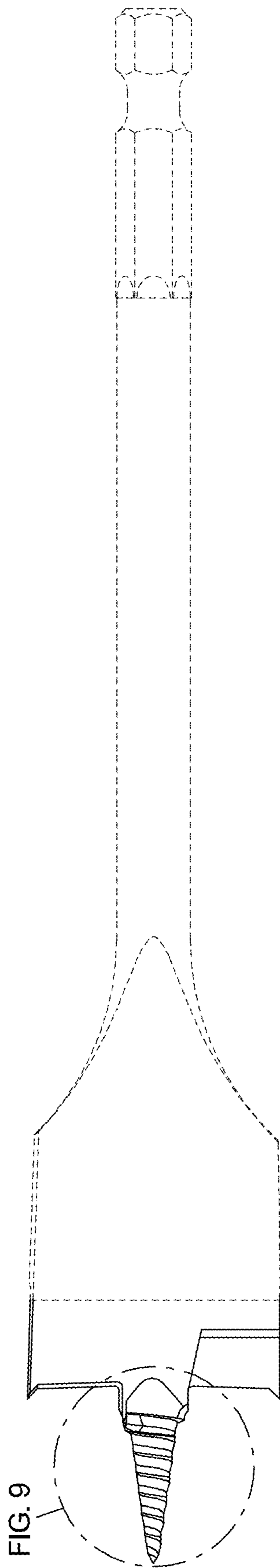


FIG. 2

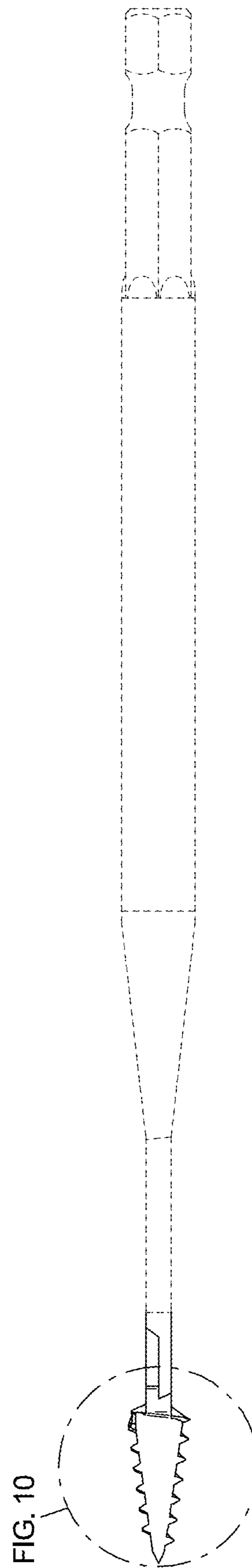


FIG. 3

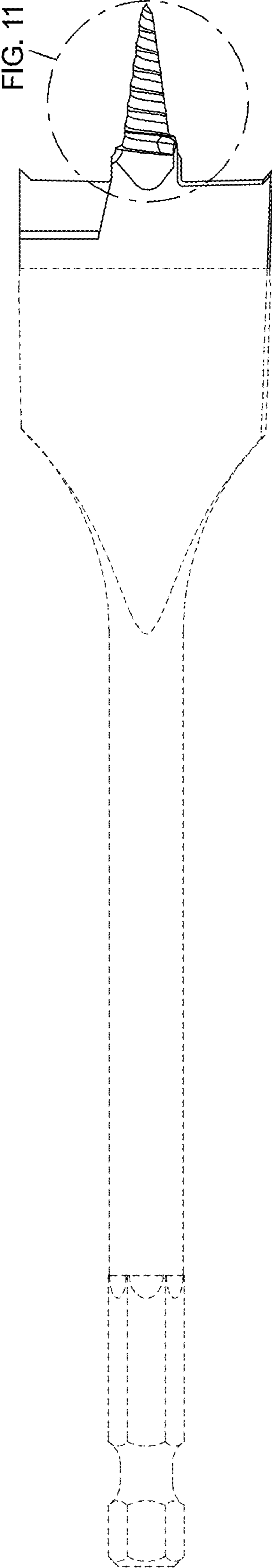


FIG. 4

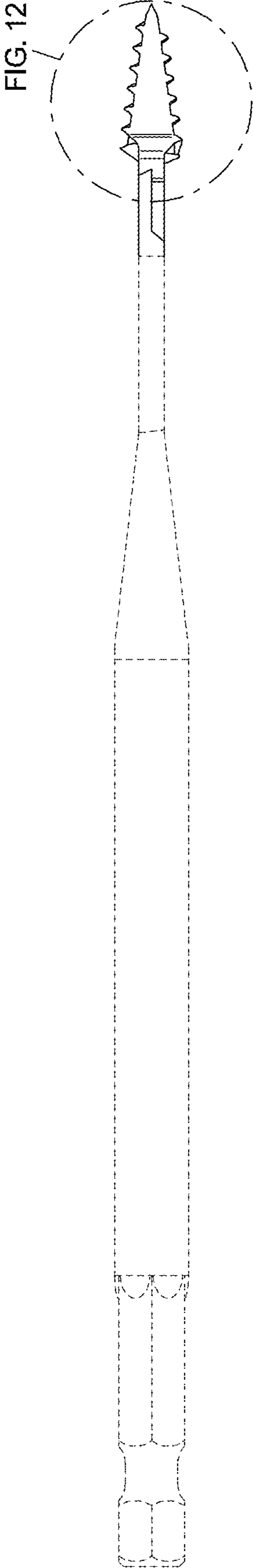


FIG. 5

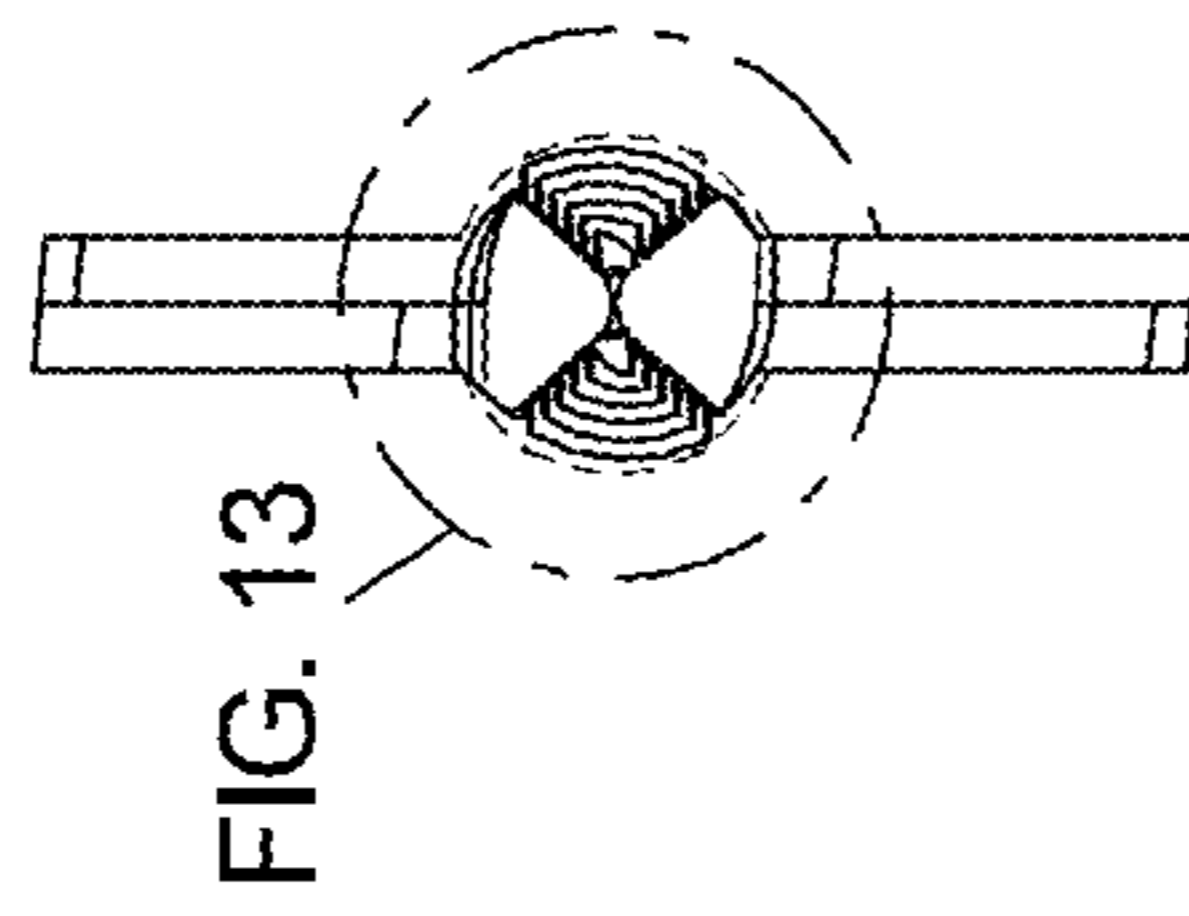


FIG. 6

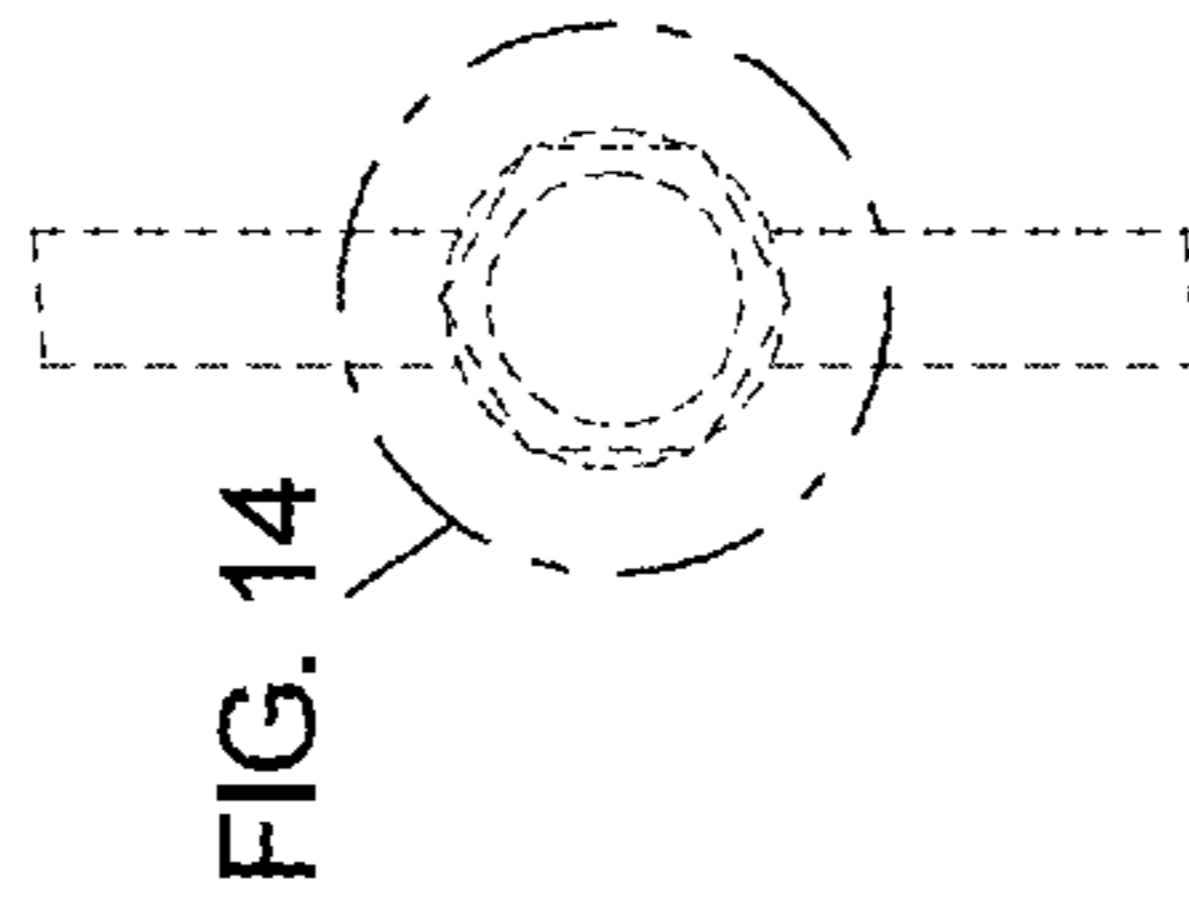


FIG. 7

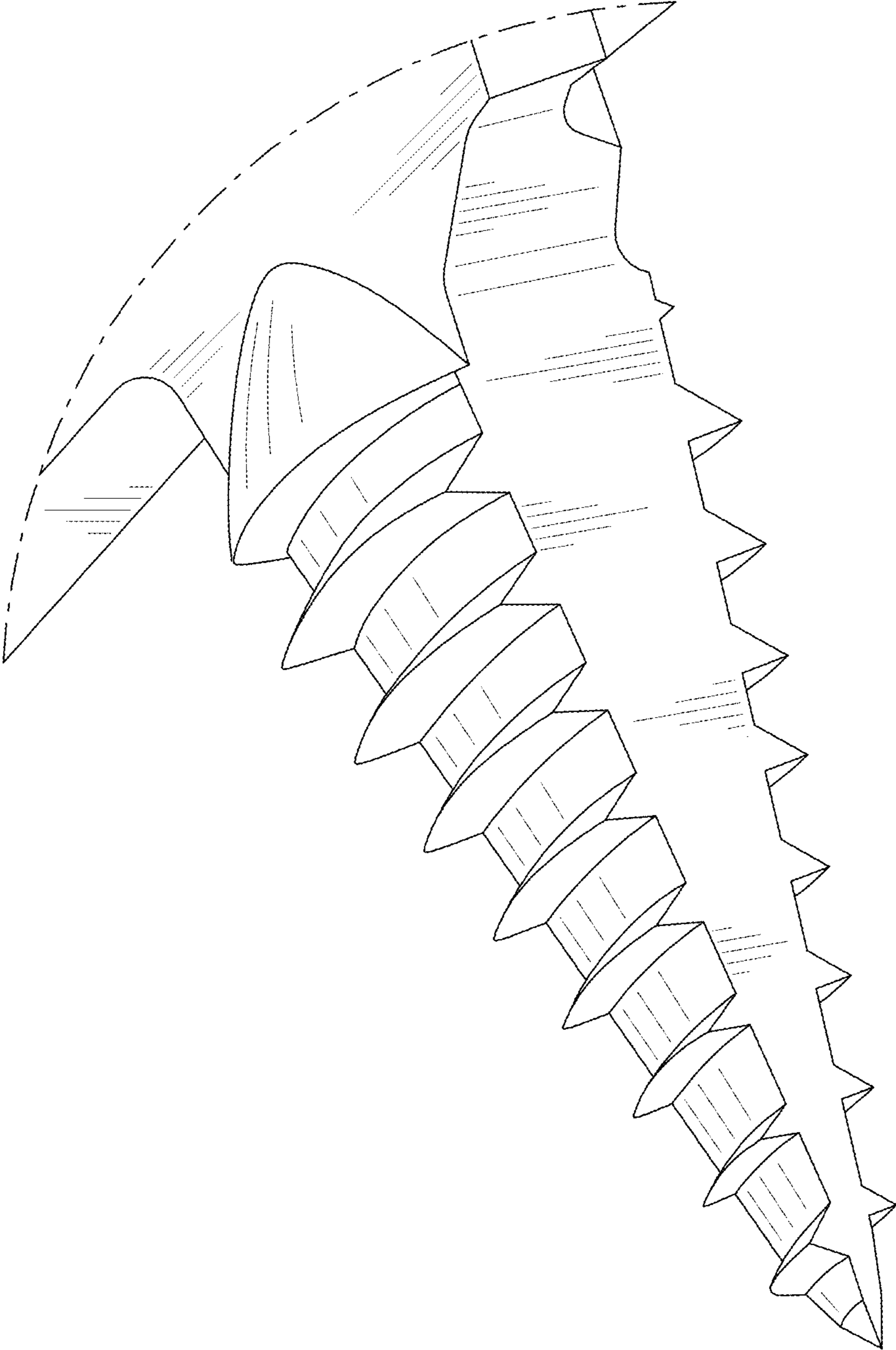


FIG. 8

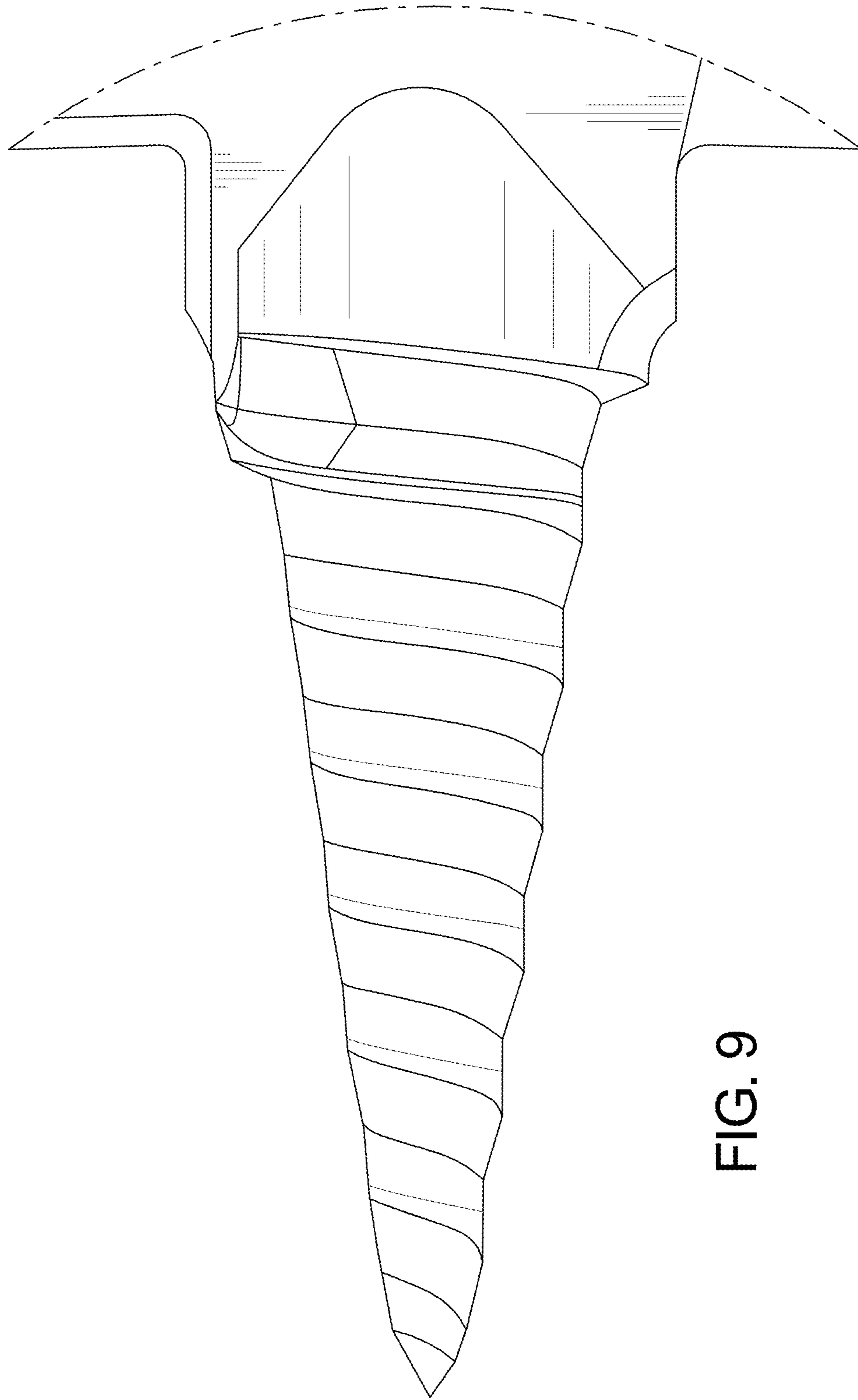


FIG. 9

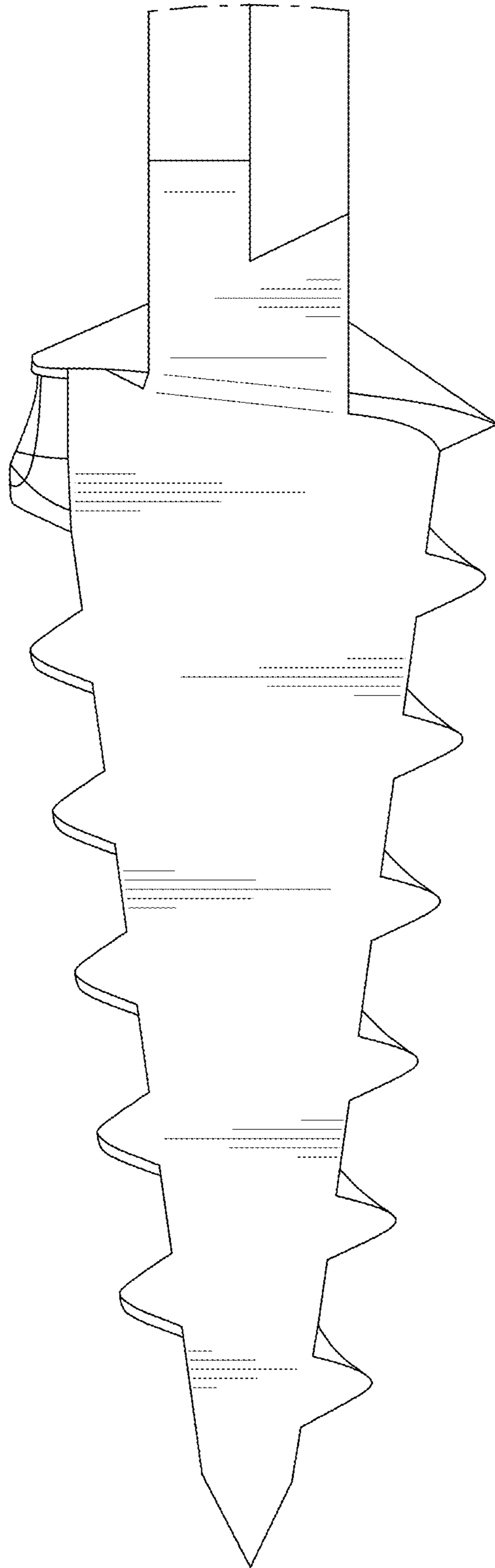


FIG. 10

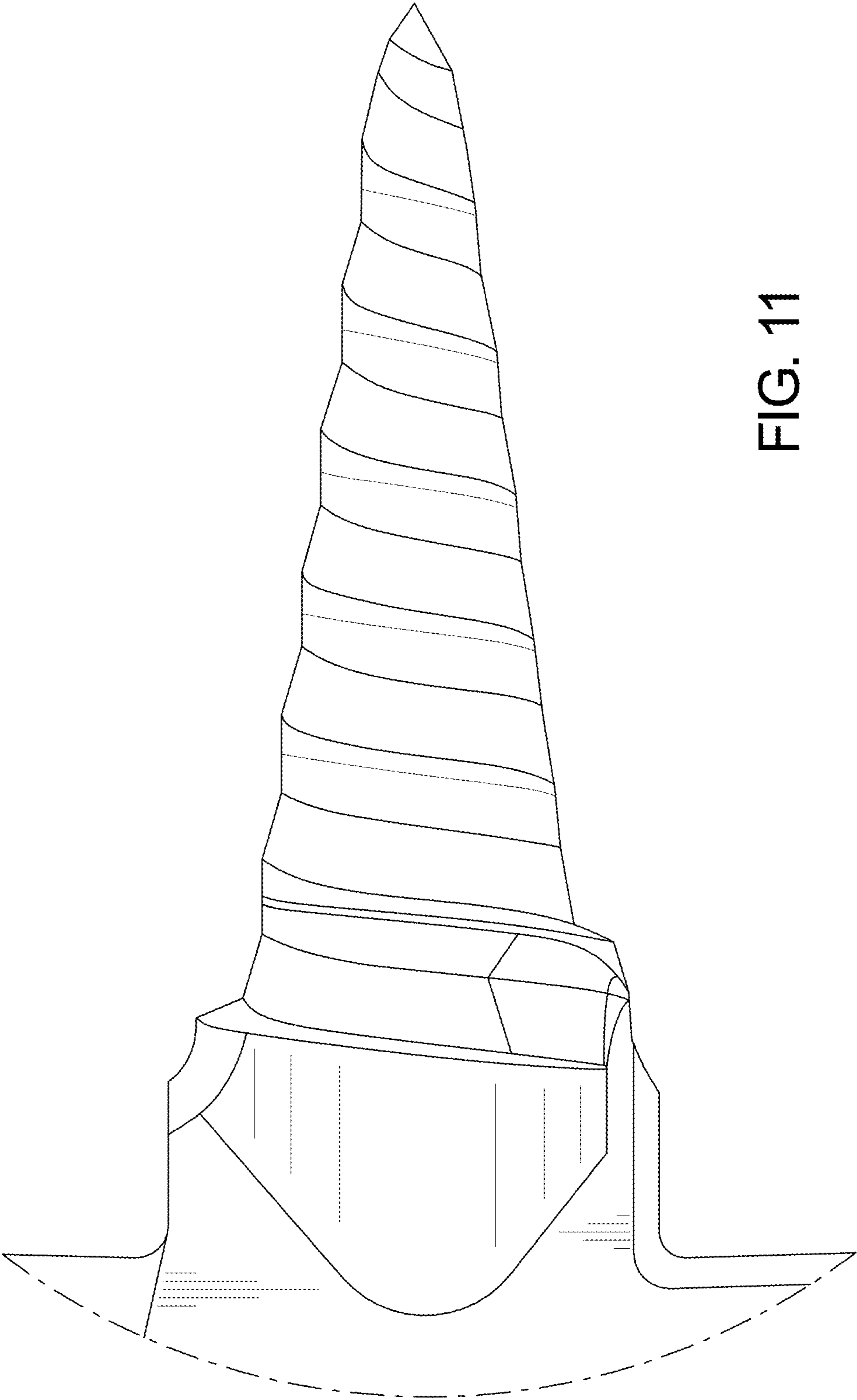


FIG. 11

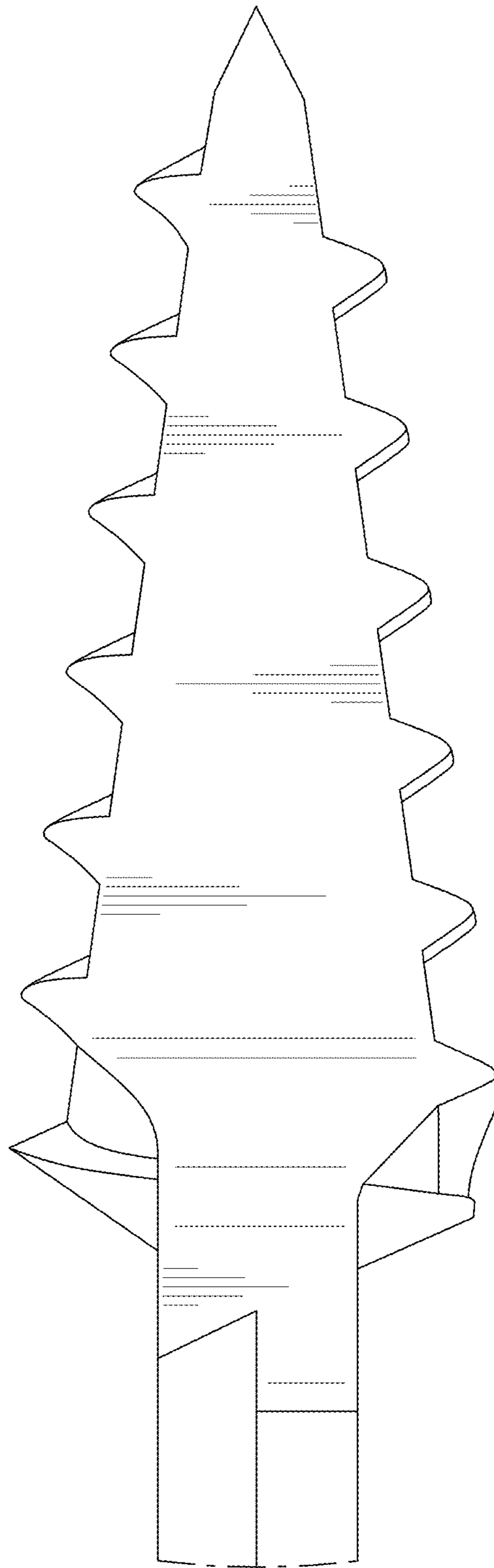


FIG. 12

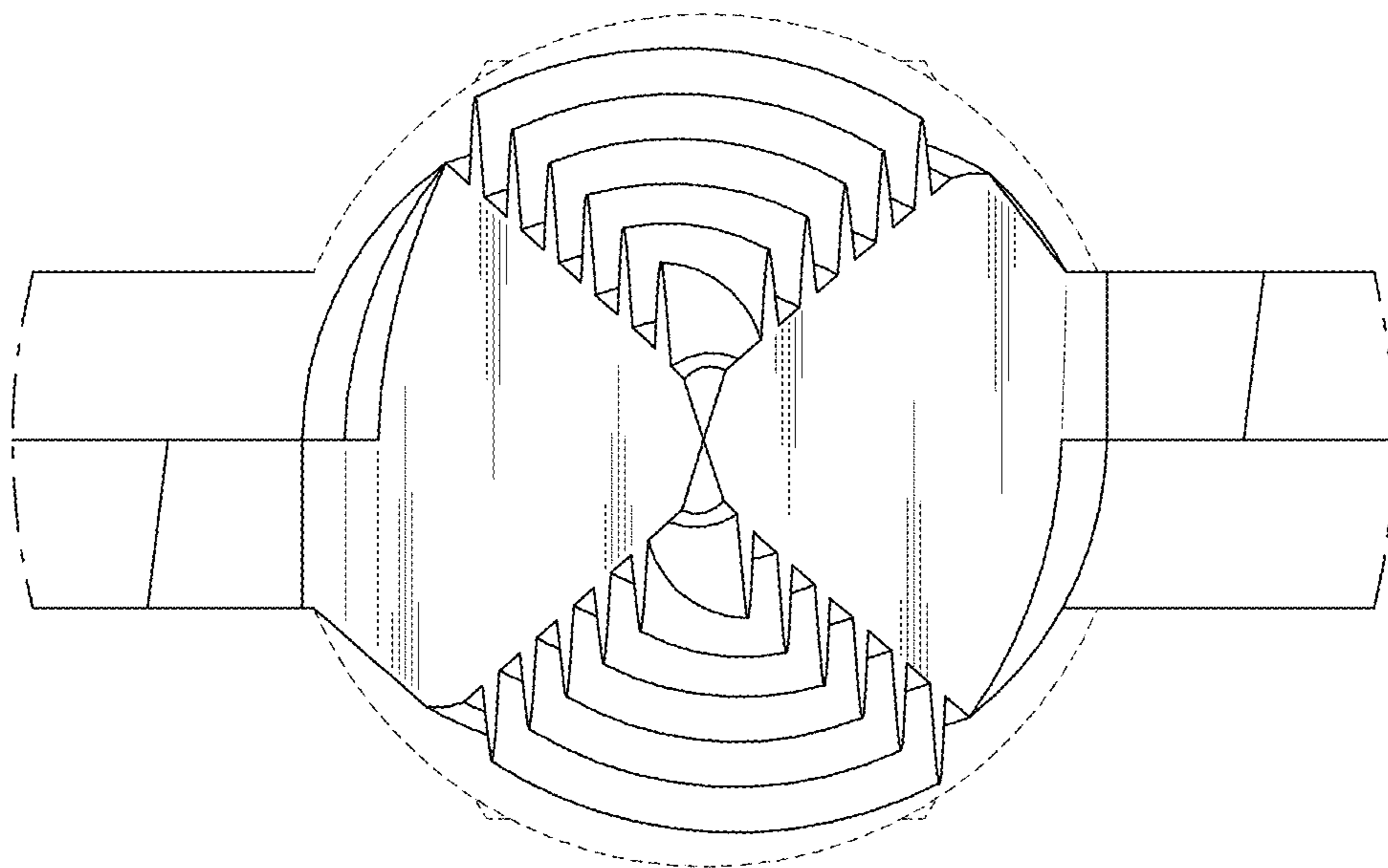


FIG. 13

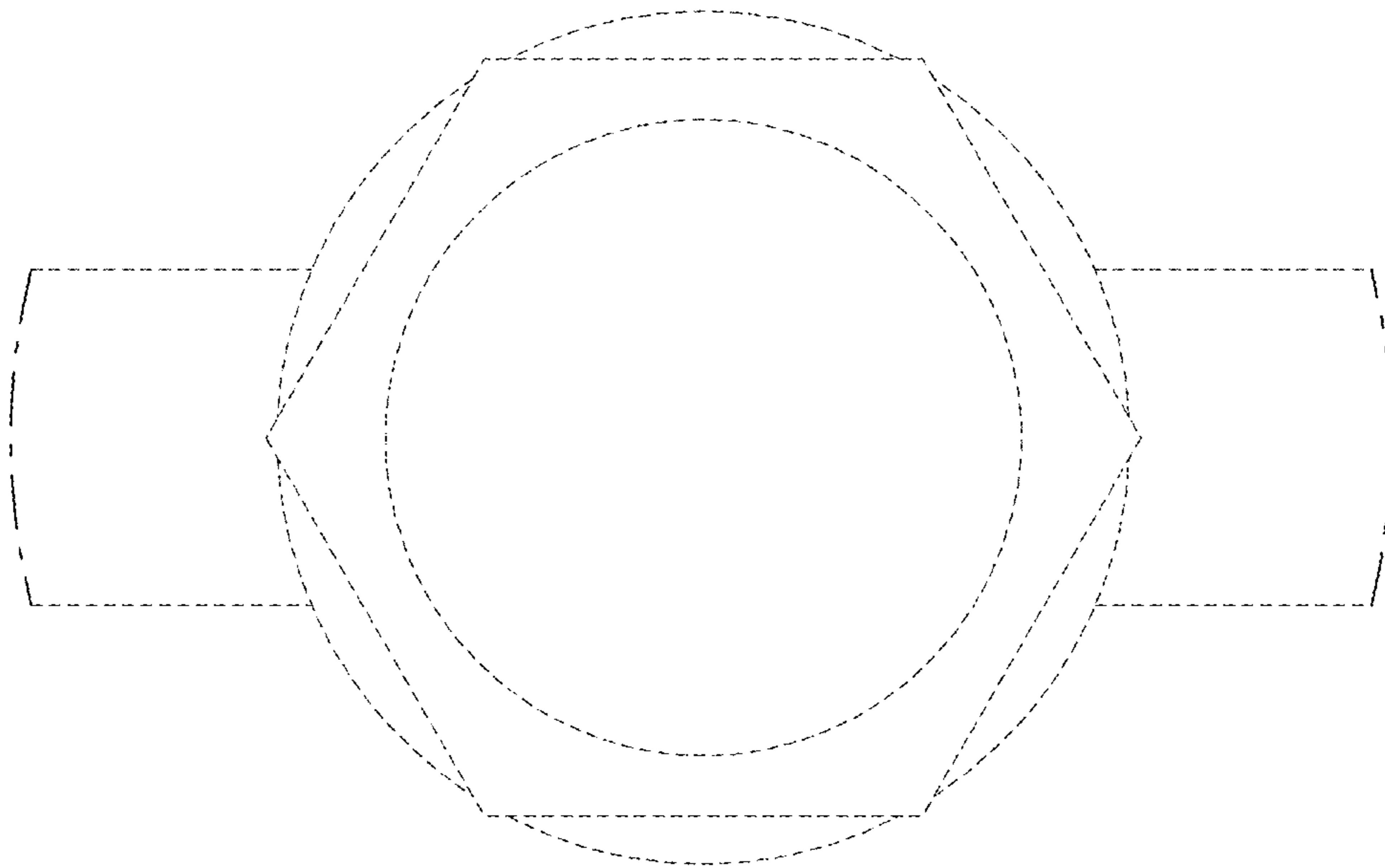


FIG. 14