



US00D928852S

(12) **United States Design Patent** (10) **Patent No.:** **US D928,852 S**
Kaneko et al. (45) **Date of Patent:** **** Aug. 24, 2021**

(54) **TRACTOR**

(56) **References Cited**

(71) Applicant: **KUBOTA CORPORATION**, Osaka (JP)

U.S. PATENT DOCUMENTS

(72) Inventors: **Tomonori Kaneko**, Sakai (JP); **Gen Futagami**, Sakai (JP); **Taiki Furuki**, Sakai (JP); **Wataru Sasaki**, Sakai (JP)

D329,435 S *	9/1992	Katoh	D15/23
D387,068 S *	12/1997	Kato	D15/23
D391,581 S *	3/1998	Kato	D15/23
D440,234 S *	4/2001	Katoh	D15/23
D498,245 S *	11/2004	Kuwae	D15/23
D519,130 S *	4/2006	Higashikawa	D15/23
D519,131 S *	4/2006	Kuwae	D15/23
D527,026 S *	8/2006	Kuwae	D15/23
D555,674 S *	11/2007	Kuwae	D15/23
D602,047 S *	10/2009	Kushita	D15/23
D604,749 S *	11/2009	Kushita	D15/23
D641,027 S *	7/2011	Kawashiri	D15/23
D668,270 S *	10/2012	Kushita	D15/23
D674,819 S *	1/2013	Hagele	D15/23
D693,374 S *	11/2013	Chlystek	D15/23

(73) Assignee: **Kubota Corporation**, Osaka (JP)

(**) Term: **15 Years**

(21) Appl. No.: **35/509,345**

(22) Filed: **Nov. 12, 2019**

(Continued)

Primary Examiner — Richard E Chilcot

(80) **Hague Agreement Data**

(74) *Attorney, Agent, or Firm* — The Webb Law Firm

Int. Filing Date: **Nov. 12, 2019**
Int. Reg. No.: **DM/206309**
Int. Reg. Date: **Nov. 12, 2019**
Int. Reg. Pub. Date: **May 15, 2020**

(57) **CLAIM**

The ornamental design for a tractor, as shown and described.

(30) **Foreign Application Priority Data**

DESCRIPTION

May 13, 2019 (JP) 2019-010262

(51) **LOC (13) Cl.** **12-09**

(52) **U.S. Cl.**
USPC **D15/33**
CPC **A01B 51/026** (2013.01)

The patent or application file contains at least one drawing executed in color. Copies of this patent or patent application publication with color drawing(s) will be provided by the Office upon request and payment of the necessary fee.

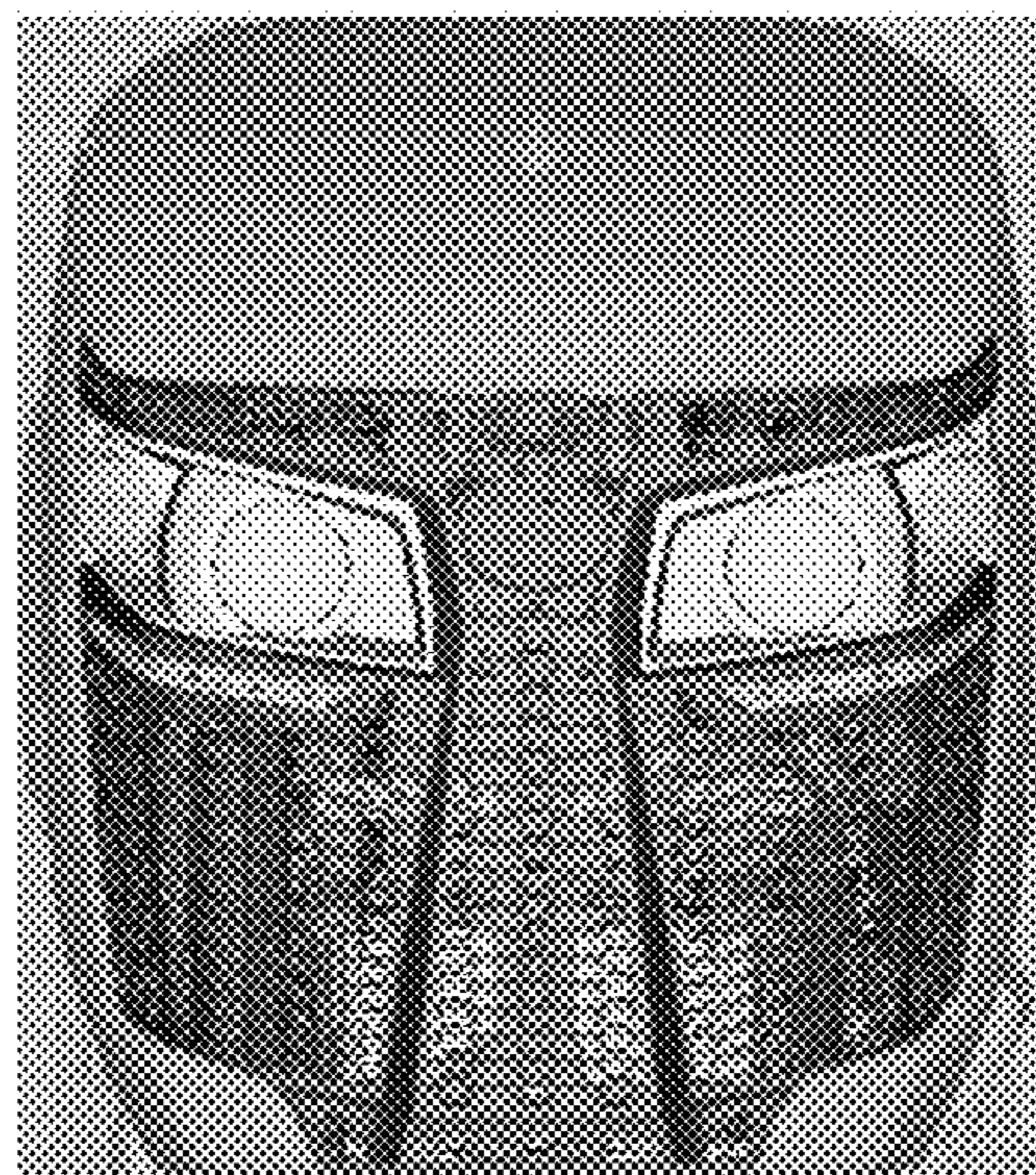
(58) **Field of Classification Search**

USPC D15/10, 14, 15, 22–26, 33; 180/69.2, 180/89.1, 89.12, 900; 56/10.1, 12.7, 15.8, 56/16.7, 13.3, 202, 320.1
CPC A01B 51/026; B62D 49/02; B62D 33/06; B62D 33/0604; B62D 33/0617; B62D 25/10; B60K 15/063; B60K 15/073; B60K 2015/0637

- 1. Tractor
- 1.1 : Front
- 1.2 : Back
- 1.3 : Left
- 1.4 : Right
- 1.5 : Top
- 1.6 : Perspective
- 1.7 : Enlarged
- 1.8 : Enlarged

See application file for complete search history.

(Continued)



The portion colored with gold (yellow and orange) forms no part of the claimed design; a bottom view is omitted because it is plain and unornamental and forms no part of the subject matter of the claimed design.

**1 Claim, 8 Drawing Sheets
(8 of 8 Drawing Sheet(s) Filed in Color)**

(56)

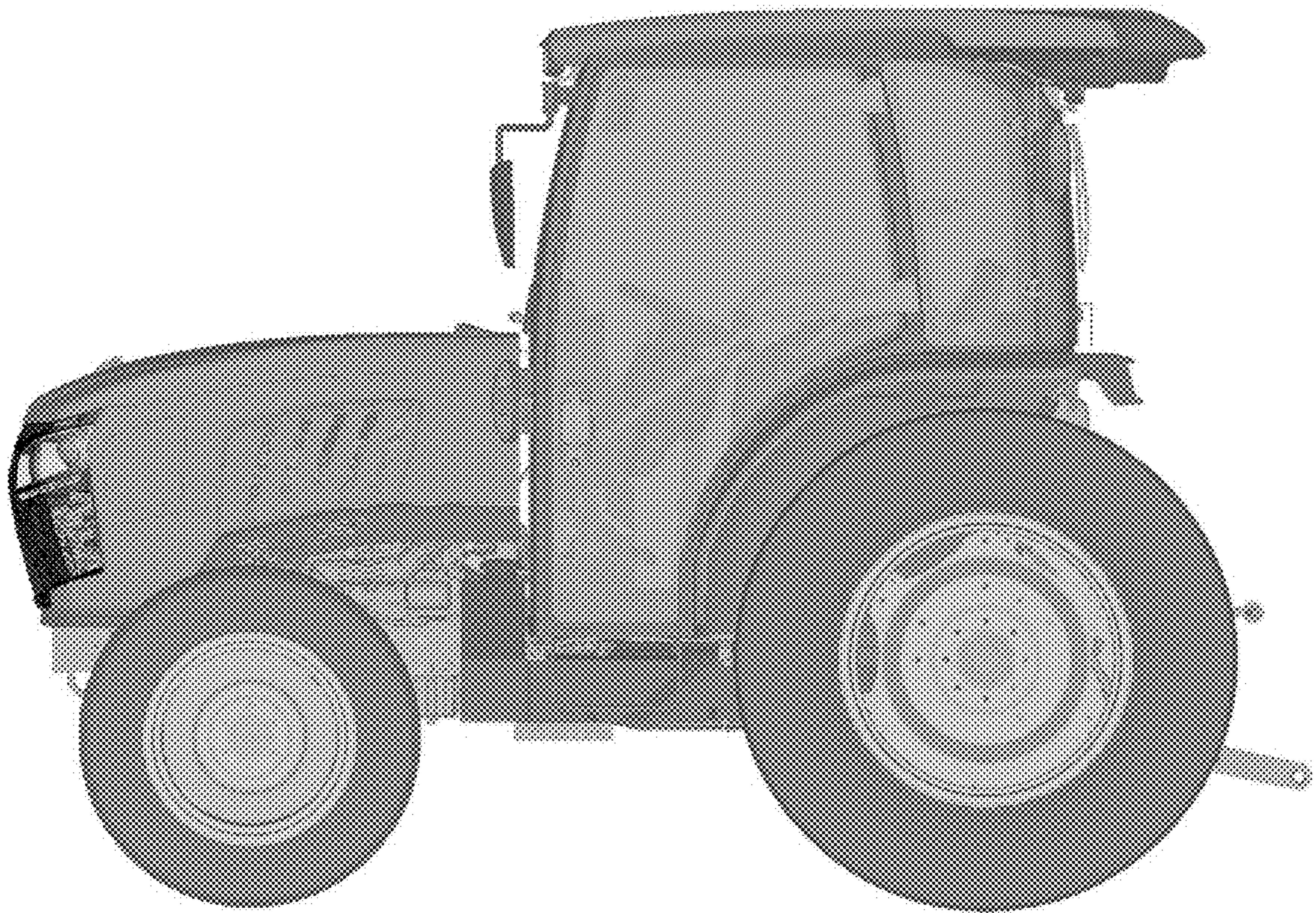
References Cited

U.S. PATENT DOCUMENTS

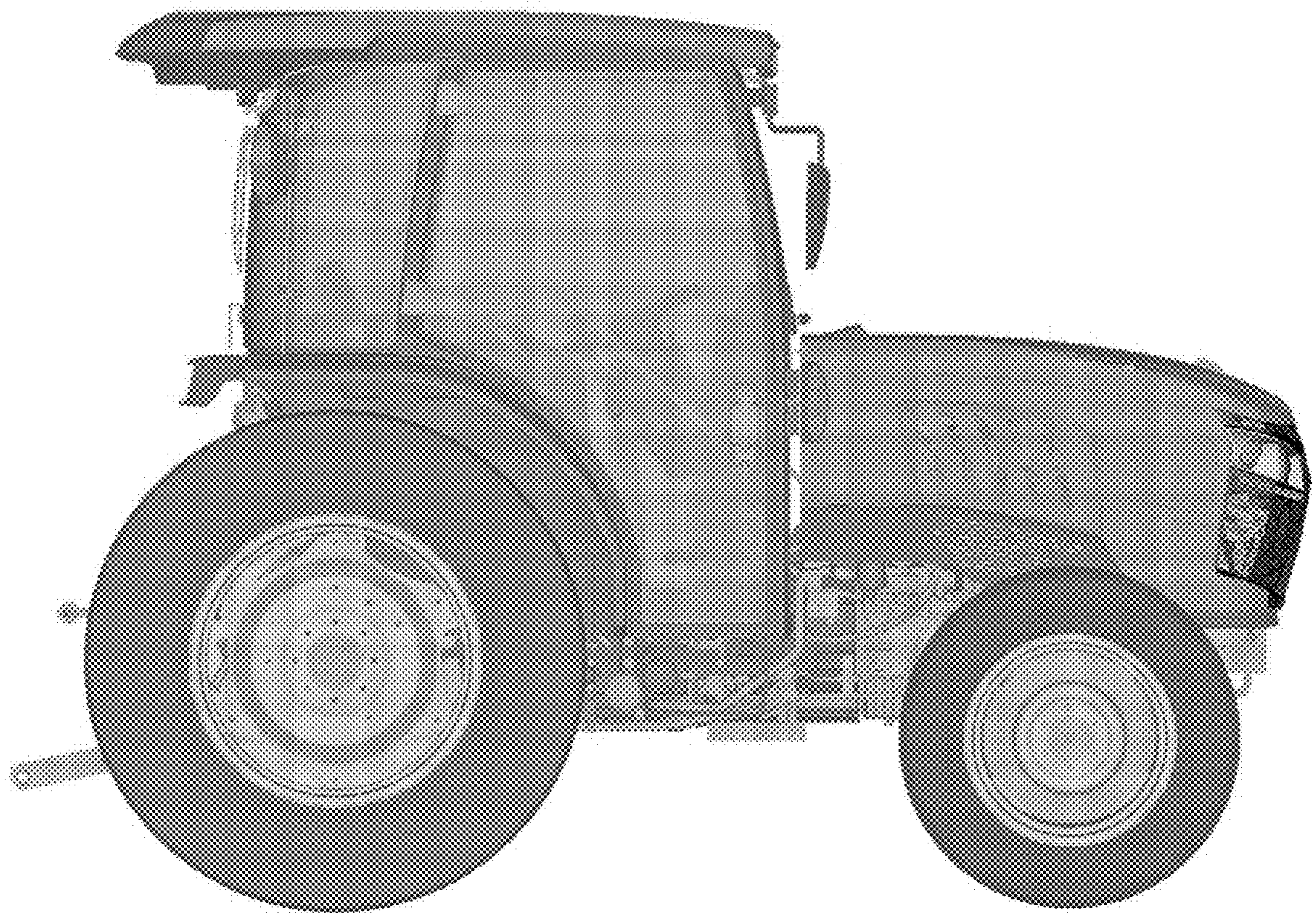
D693,375	S	*	11/2013	Chlystek	D15/23
D703,699	S	*	4/2014	Shimomura	D15/23
D704,749	S		5/2014	Shimomura et al.	
D708,232	S	*	7/2014	Furuki	D15/23
D729,851	S	*	5/2015	Kushita	D15/23
D759,730	S	*	6/2016	Okuyama	D15/26
D777,214	S	*	1/2017	Moritaka	D15/26
D777,215	S	*	1/2017	Moritaka	D15/26
D777,798	S	*	1/2017	Yetkin	D15/26
D783,059	S	*	4/2017	Okuyama	D15/23
D784,422	S	*	4/2017	Okuyama	D15/23
D785,050	S	*	4/2017	Okuyama	D15/23
D785,051	S	*	4/2017	Okuyama	D15/23
D786,941	S	*	5/2017	Kushita	D15/26
D849,060	S	*	5/2019	Tullius	D15/24
D855,665	S		8/2019	Futagami	
D878,428	S	*	3/2020	Furuki	D15/23

* cited by examiner

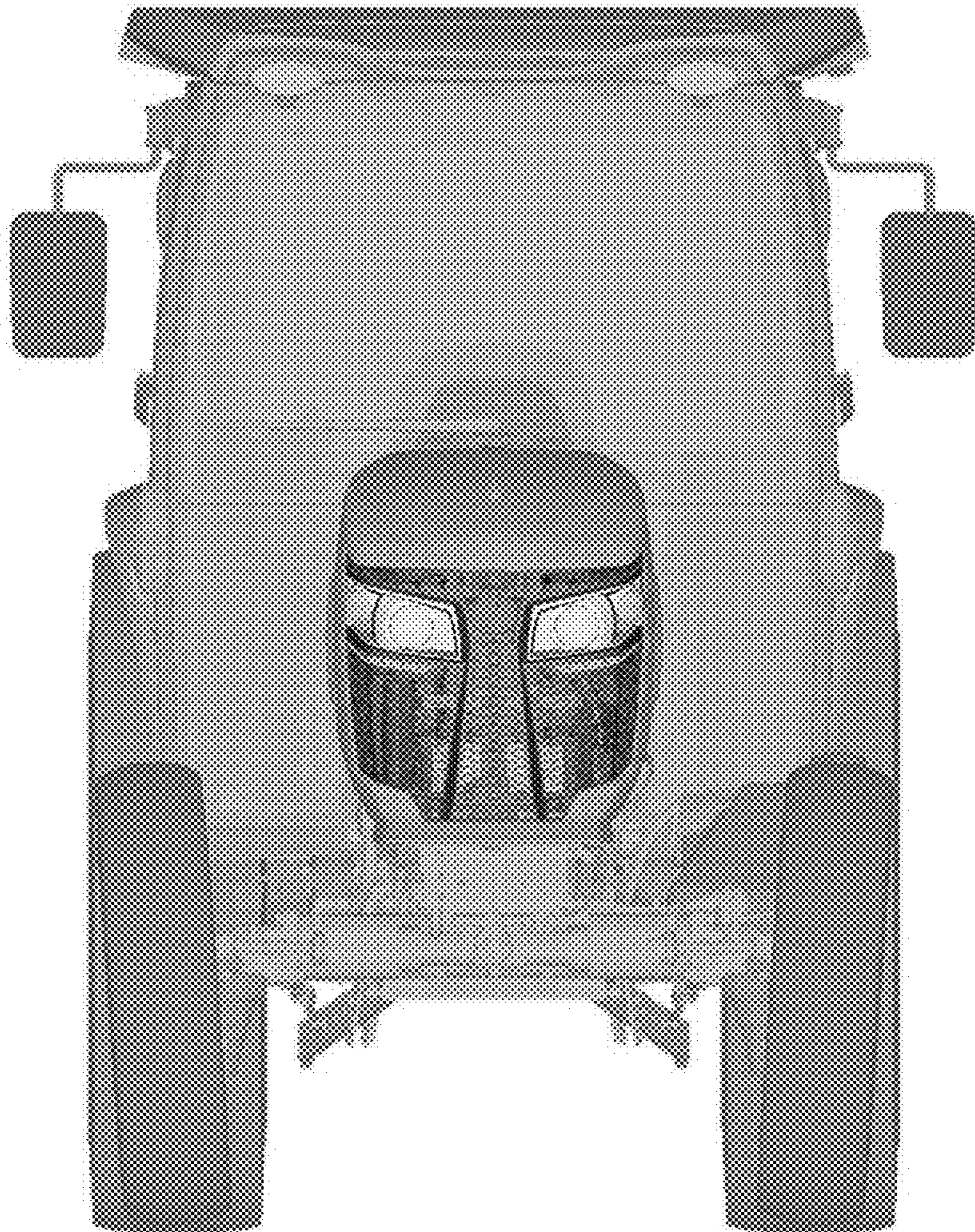
1.1



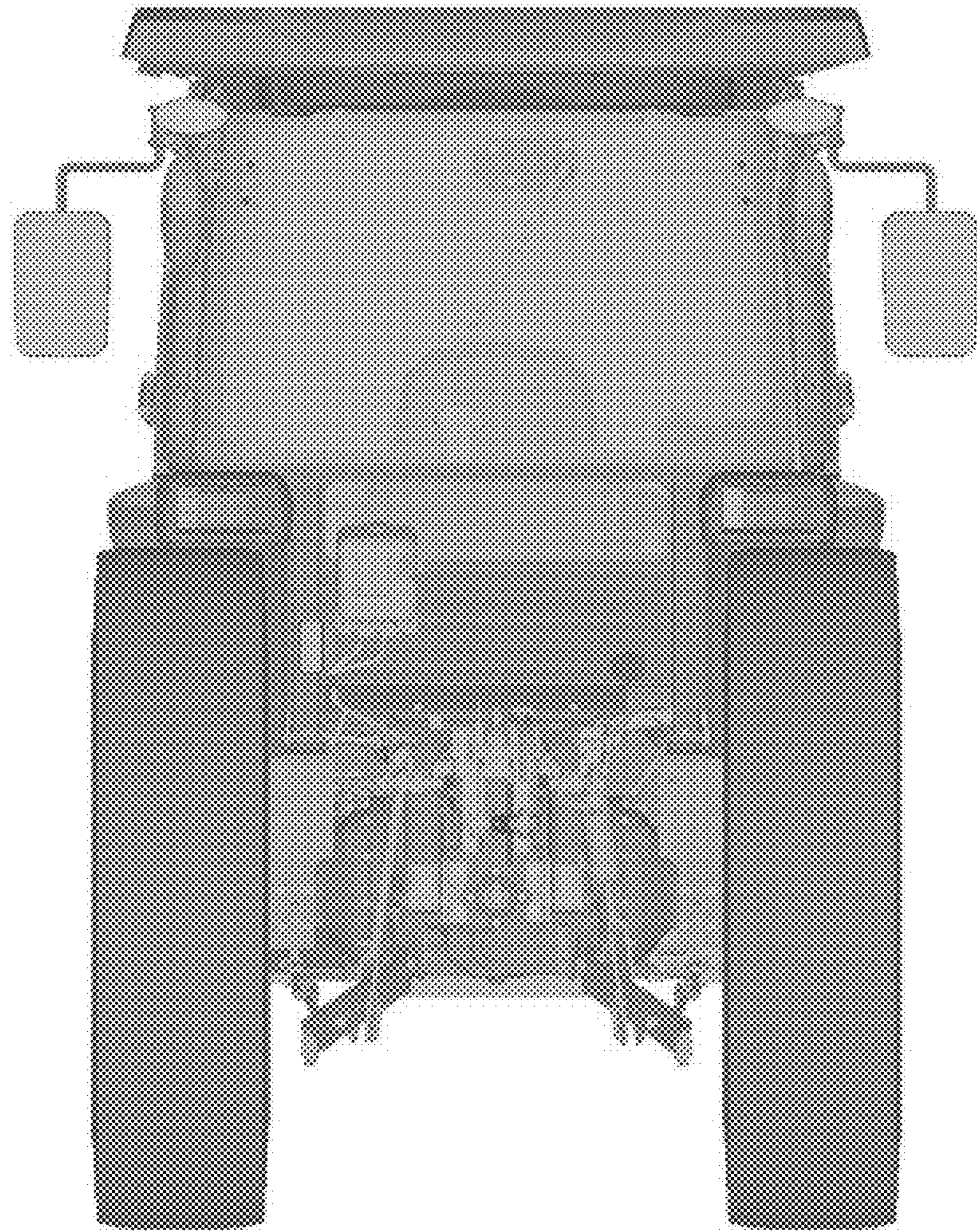
1.2



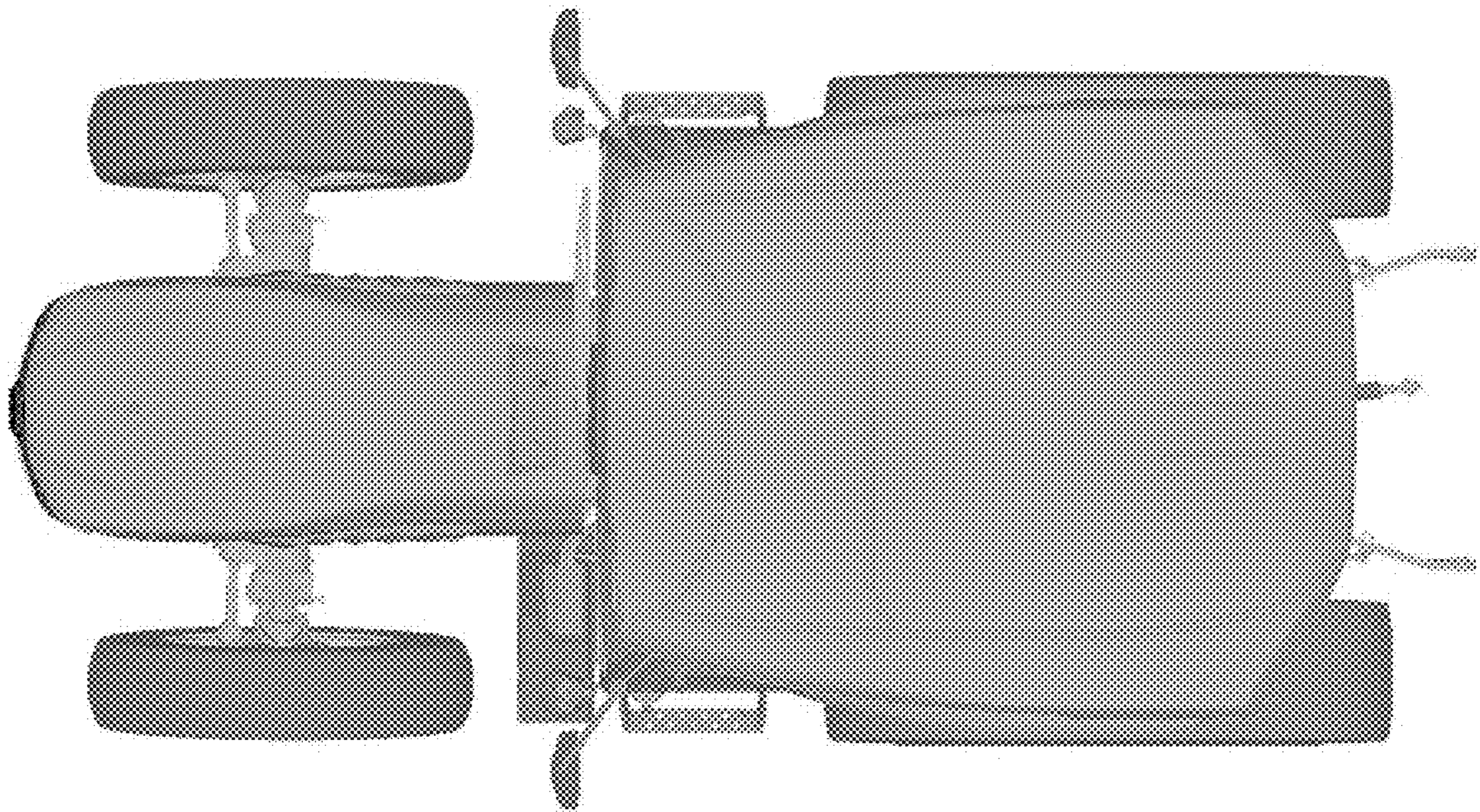
1.3



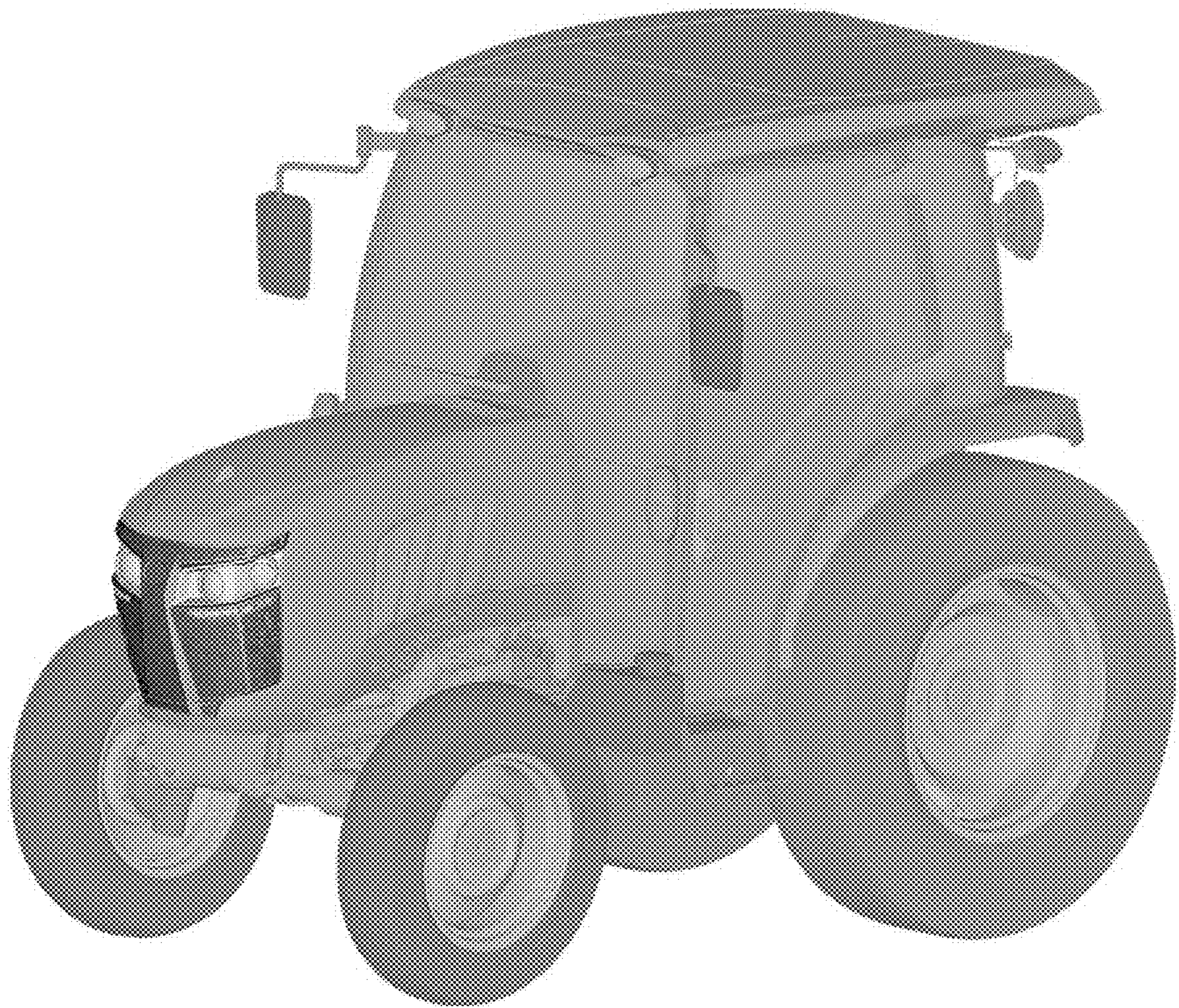
1.4



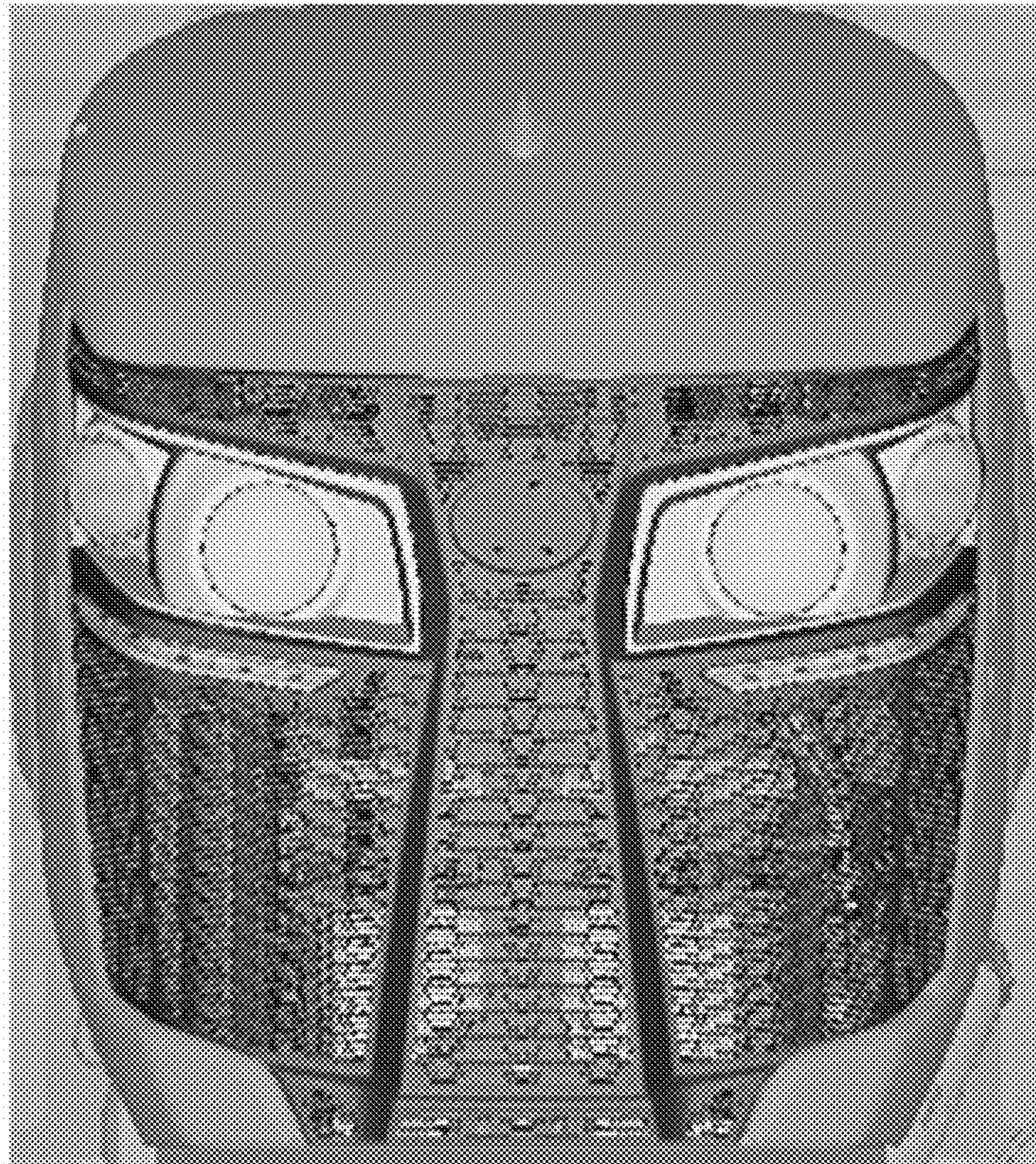
1.5



1.6



1.7



1.8

