



US00D928850S

(12) **United States Design Patent** (10) **Patent No.:** **US D928,850 S**
Keen et al. (45) **Date of Patent:** **** Aug. 24, 2021**

(54) **OPERATOR STATION FOR A WORK MACHINE**

(71) Applicant: **DEERE & COMPANY**, Moline, IL (US)

(72) Inventors: **Eric Keen**, Manhattan, KS (US);
Thorsten Hagner, Ilvesheim (DE);
Felix Nagelin, Malibu, CA (US);
Sebastian Himpel, Mannheim (DE)

(73) Assignee: **DEERE & COMPANY**, Moline, IL (US)

(**) Term: **15 Years**

(21) Appl. No.: **29/671,772**

(22) Filed: **Nov. 29, 2018**

(30) **Foreign Application Priority Data**

May 30, 2018 (EM) 005288503
May 30, 2018 (EM) 005289014

(51) **LOC (13) Cl.** **15-03**

(52) **U.S. Cl.**
USPC **D15/30**

(58) **Field of Classification Search**
USPC D15/28, 30, 31, 22-26; D34/37;
180/89.11, 89.12, 89.13, 89.19, 900
CPC .. B66C 13/54; E02F 9/16; E02F 9/163; E02F
9/06; B62D 33/0617; B62D 49/00-085;
B62D 33/06-33/073; B60J 7/00; B60J
1/004; B60J 1/02; B60J 1/04; B60J
5/0487

See application file for complete search history.

(56) **References Cited**

U.S. PATENT DOCUMENTS

D288,206 S * 2/1987 Moscovitch D15/30
D297,142 S 8/1988 Funabashi et al.
D304,589 S 11/1989 Lanphere et al.

D348,678 S 7/1994 Budde
D353,704 S 12/1994 Bhambra
D398,616 S 9/1998 Kwak et al.
D416,266 S 11/1999 Torchio
D424,580 S 5/2000 Moehle et al.
D430,579 S 9/2000 Westendorf et al.
D451,106 S 11/2001 Crookes et al.
D522,425 S 6/2006 Beigel et al.
D528,134 S * 9/2006 Vandendriessche D15/30
(Continued)

FOREIGN PATENT DOCUMENTS

CN 304913471 S 11/2018
KR 300611812 S 9/2011
KR 300789169 S 3/2015

OTHER PUBLICATIONS

Agritechnica 2017—Gold and Silver, <https://www.agritechnica.com/en/innovation-award/gold-and-silver/>, accessed Dec. 5, 2017, 18 pages.

(Continued)

Primary Examiner — Mark A Goodwin

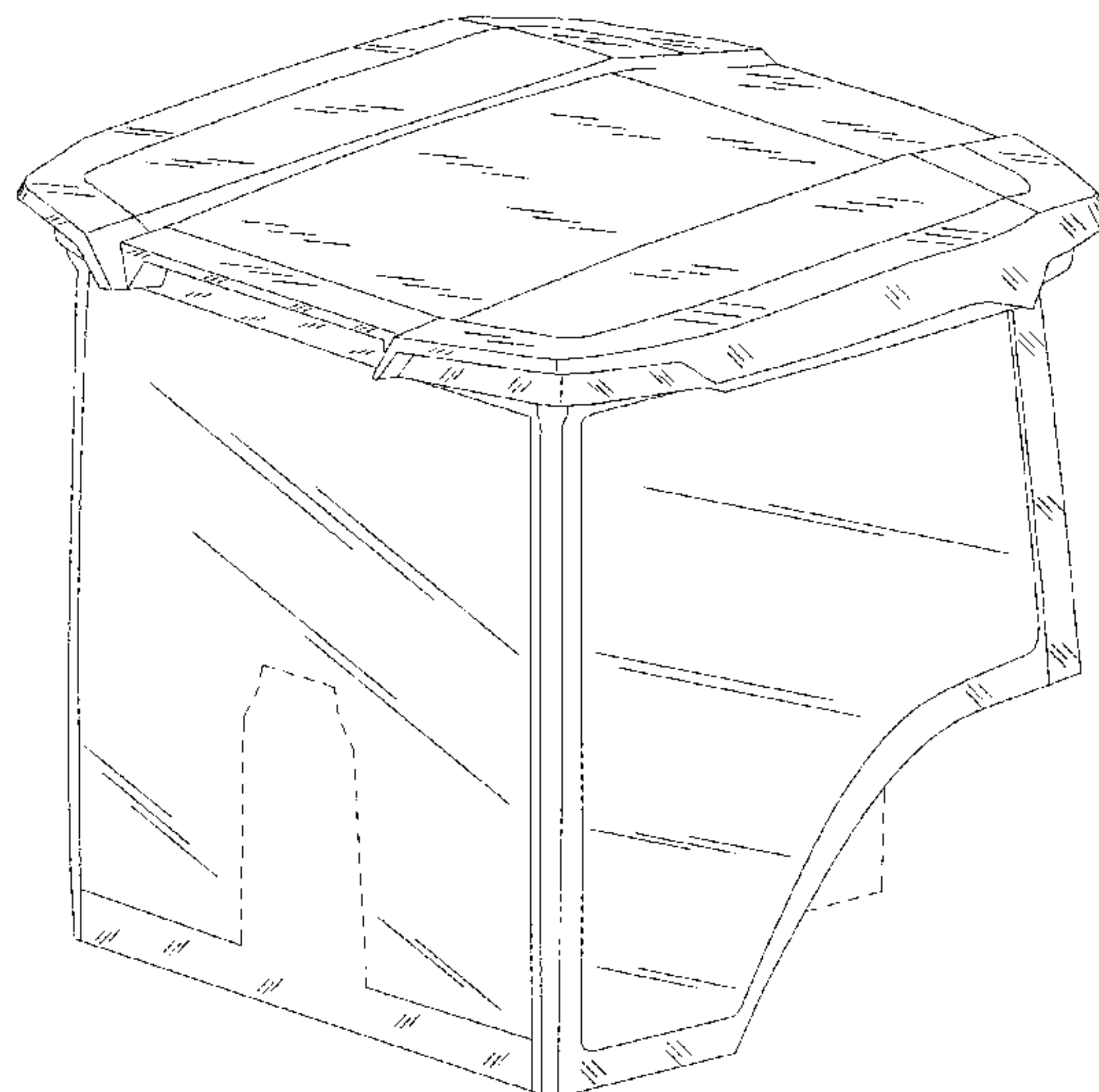
(57) **CLAIM**

The ornamental design for an operator station for a work machine, as shown and described.

DESCRIPTION

FIG. 1 is a top, front, left perspective view of an operator station for a work machine embodying our new design; FIG. 2 is a left side elevational view thereof; FIG. 3 is a right side elevational view thereof; FIG. 4 is a front elevational view thereof; FIG. 5 is a rear elevational view thereof; FIG. 6 is a top plan view thereof; and, FIG. 7 is a bottom plan view thereof. The broken line representations in the figures show unclaimed environment or boundaries, and thus form no part of the claimed design.

1 Claim, 7 Drawing Sheets



(56)

References Cited

U.S. PATENT DOCUMENTS

D531,646 S * 11/2006 McCarren, Jr. D15/30
 D531,647 S * 11/2006 Stender D15/30
 D533,569 S * 12/2006 Mursch D15/28
 D541,825 S * 5/2007 Pettersson D15/30
 D541,826 S * 5/2007 Brush D15/30
 D556,789 S 12/2007 Kitayama et al.
 D561,205 S * 2/2008 Pettersson D15/30
 D568,905 S 5/2008 Heusinger et al.
 D570,378 S 6/2008 Heusinger et al.
 D570,382 S 6/2008 Higashikawa
 D571,378 S 6/2008 Bernard et al.
 D574,022 S 7/2008 Higashikawa
 D579,028 S * 10/2008 VanDeVeer D15/30
 D602,047 S 10/2009 Kushita et al.
 D602,507 S 10/2009 Kushita
 D603,881 S * 11/2009 Tamplain, III D15/30
 D605,207 S * 12/2009 Menges D15/30
 D613,224 S 4/2010 Beigel et al.
 D614,205 S 4/2010 Kuwae et al.
 D625,741 S * 10/2010 Seidel D15/30
 D628,599 S 12/2010 Major
 D629,017 S 12/2010 Major
 D632,704 S * 2/2011 Seidel D12/182
 D636,000 S 4/2011 Kim et al.
 D641,027 S 7/2011 Kawashiri et al.
 D650,816 S 12/2011 Koponen et al.
 D655,317 S 3/2012 Hagele
 D655,318 S 3/2012 Hagele
 D659,722 S 5/2012 Blind et al.
 D660,874 S 5/2012 Werner et al.
 D660,879 S 5/2012 Laugerette
 D660,881 S * 5/2012 Bohme D15/30
 D667,851 S * 9/2012 Warr D15/30
 D668,693 S * 10/2012 Ringer D15/30
 D670,744 S 11/2012 Ewringmann
 D670,745 S * 11/2012 Warr D15/30
 D671,566 S * 11/2012 Fang D15/30
 D674,410 S 1/2013 Blind et al.
 D674,820 S 1/2013 Budde
 D674,821 S 1/2013 Budde
 D676,463 S 2/2013 Ewringmann et al.
 D676,786 S 2/2013 Werner et al.
 D697,536 S 1/2014 Nuebel
 D703,699 S 4/2014 Shimomura et al.
 D704,749 S 5/2014 Shimomura et al.
 D704,750 S 5/2014 Shimomura et al.
 D720,370 S * 12/2014 Carter D15/30
 D721,105 S 1/2015 Okuyama et al.
 D721,742 S 1/2015 Lee et al.
 D721,994 S 2/2015 Graber et al.
 D728,631 S 5/2015 Richard et al.
 D729,281 S 5/2015 Carter et al.
 D734,781 S 7/2015 Schnering et al.
 D736,270 S * 8/2015 Jackson D15/30
 D748,677 S 2/2016 Kushita et al.
 D749,148 S * 2/2016 Darekar D15/30
 D751,611 S 3/2016 Smith et al.
 D754,210 S 4/2016 Margutti et al.
 D755,256 S 5/2016 Okuyama et al.
 D756,421 S 5/2016 Okuyama et al.
 D760,815 S 7/2016 Okuyama et al.

D774,111 S * 12/2016 Underhill D15/30
 D775,244 S * 12/2016 Hart D15/30
 D777,215 S 1/2017 Moritaka et al.
 D777,805 S * 1/2017 Steinhardt D15/30
 D780,231 S * 2/2017 Saari D15/30
 D780,232 S * 2/2017 Saari D15/30
 D780,233 S * 2/2017 Saari D15/30
 D780,235 S * 2/2017 Kim D15/30
 D783,059 S 4/2017 Okuyama et al.
 D784,425 S * 4/2017 Cooksey D15/30
 D785,050 S 4/2017 Okuyama et al.
 D785,051 S 4/2017 Okuyama et al.
 D786,945 S 5/2017 Smith et al.
 D804,539 S 12/2017 Okuyama et al.

OTHER PUBLICATIONS

Deutz-Fahr 6 Series Brochure, available at least as early as May 2015, 32 pages.
 Case Puma Series Brochure, available at least as early as May 2015, 9 pages.
 Hagner et al.. Operator Station for Work Vehicle, unpublished U.S. Appl. No. 29/647,298, filed May 11, 2018, 101 pages.
 Deere & Co., Deere 8 Series, 2015, 6 pages.
 AGCO, Fendt 200 Vario, publicly available before May 2015, 17 pages.
 AGCO, Fendt 300 Vario Power and Profi equipment, 2015, 12 pages.
 AGCO, Fendt 500 Vario Model versions. Technical Specifications, 2015, 1 page.
 AGCO, Fendt 700 Series, 2012 AGCO, 32 pages.
 AGCO, Fendt 800 Series, 2014 AGCO, 4 pages.
 AGCO, Fendt 900 Vario, 2014, 29 pages.
 AGCO, Fendt X Concept Tractors, <http://www.fendt.com/US/2466.asp>, accessed May 18, 2015, 3 pages.
 CASE Farmall C Tractors Brochure, 2013, 16 pages.
 CASE Farmall U Tractors Brochure 11-13, 2013, 12 pages.
 CASE Magnum 180-380 Brochure, 2014, 28 pages.
 CASE Maxxum Series Tractors Brochure, 2012, 24 pages.
 CASE Puma Series Brochure, 2011, 28 pages.
 CASE Steiger Tractor Brochure, 2014, 32 pages.
 Deutz 308 Series 7, publicly available before May 2015, 28 pages.
 Deutz 5 series brochure, publicly available before May 2015, 24 pages.
 Deutz agrofarm-g brochure, publicly available before May 2015, 11 pages.
 Deutz-Fahr (7250 TTV Warrior), available at least as early as May 2015, 4 pages.
 Deutz-Fahr 6 Series, publicly available before May 2015, 32 pages.
 Deutz-Fahr, Deutz Agrolux 310-320-410 -Tractors Open field, retrieved from internet <<http://www.deutz-fahr.com/en-US/products/tractors/864-agrolux-310-320-410>> May 19, 2015, 4 pages.
 Massey Ferguson, available at least as early as May 2015, 1 page.
 Sous 75N Traktor Schlepper Kein New Holland, retrieved from internet <<https://www.mascus.com/agriculture/used-tractors/solis-75n-traktor-schlepper-kein-new-h>> Jun. 26, 2019, 3 pages.

* cited by examiner

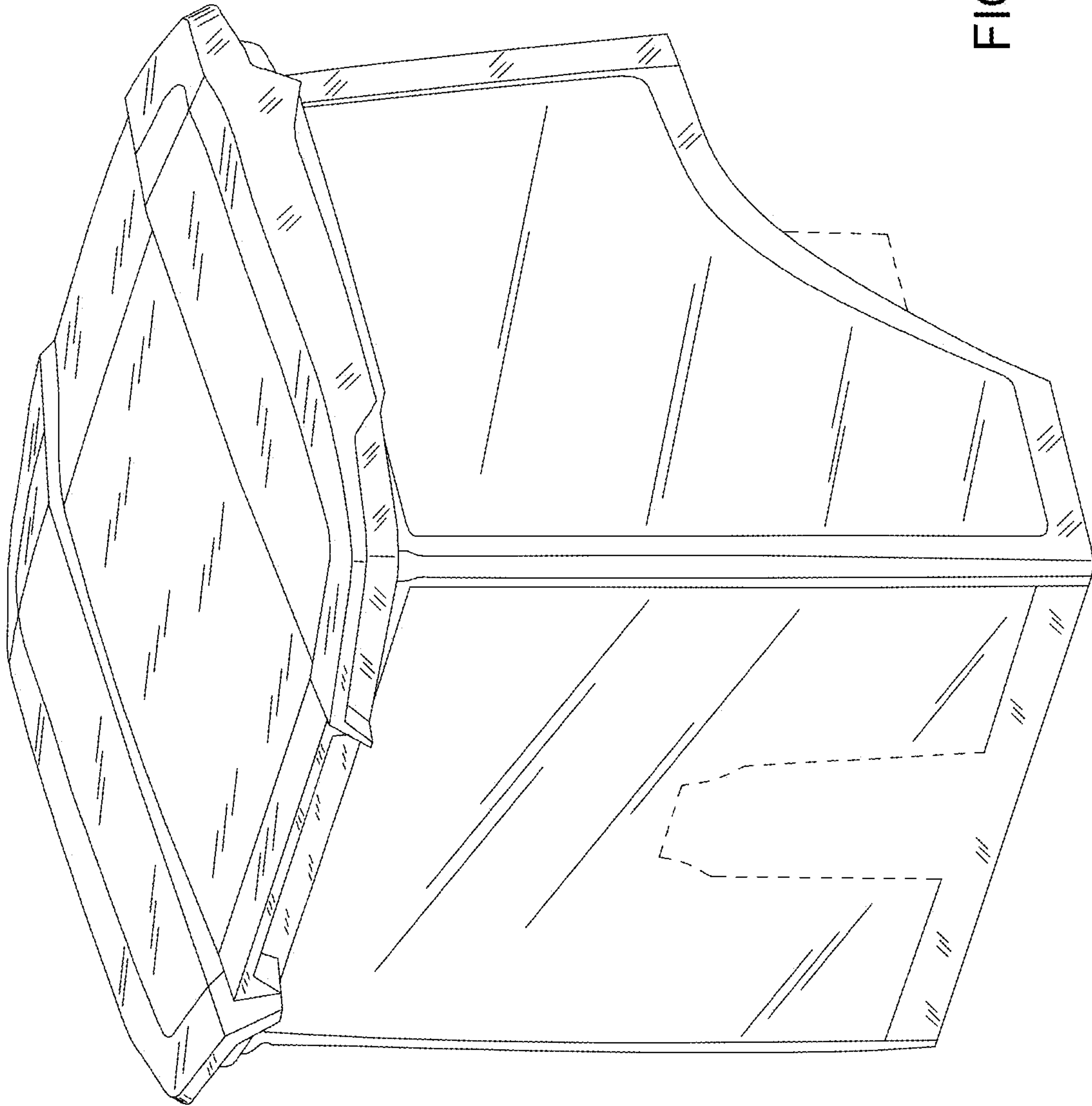


FIG. 1

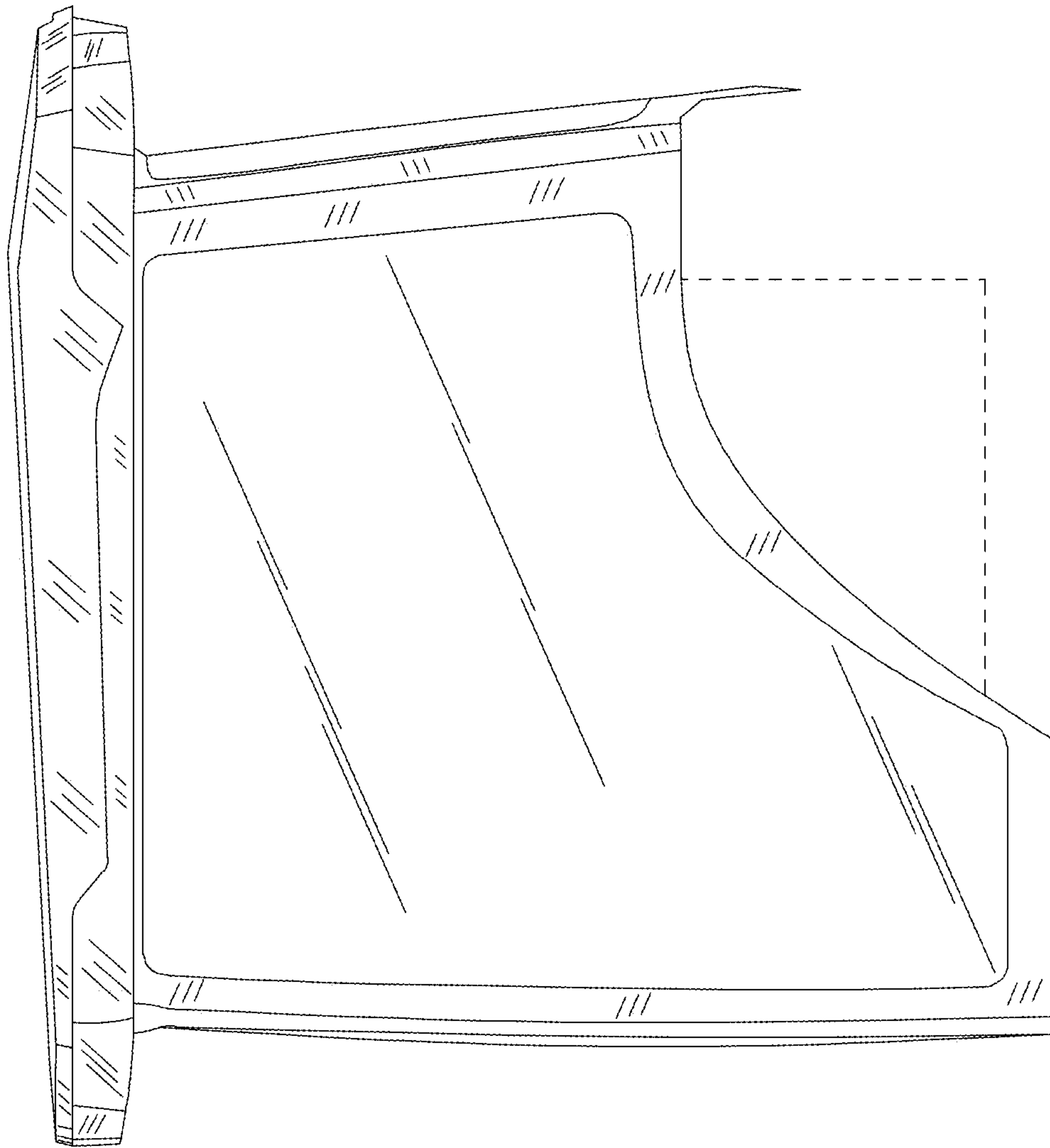


FIG. 2

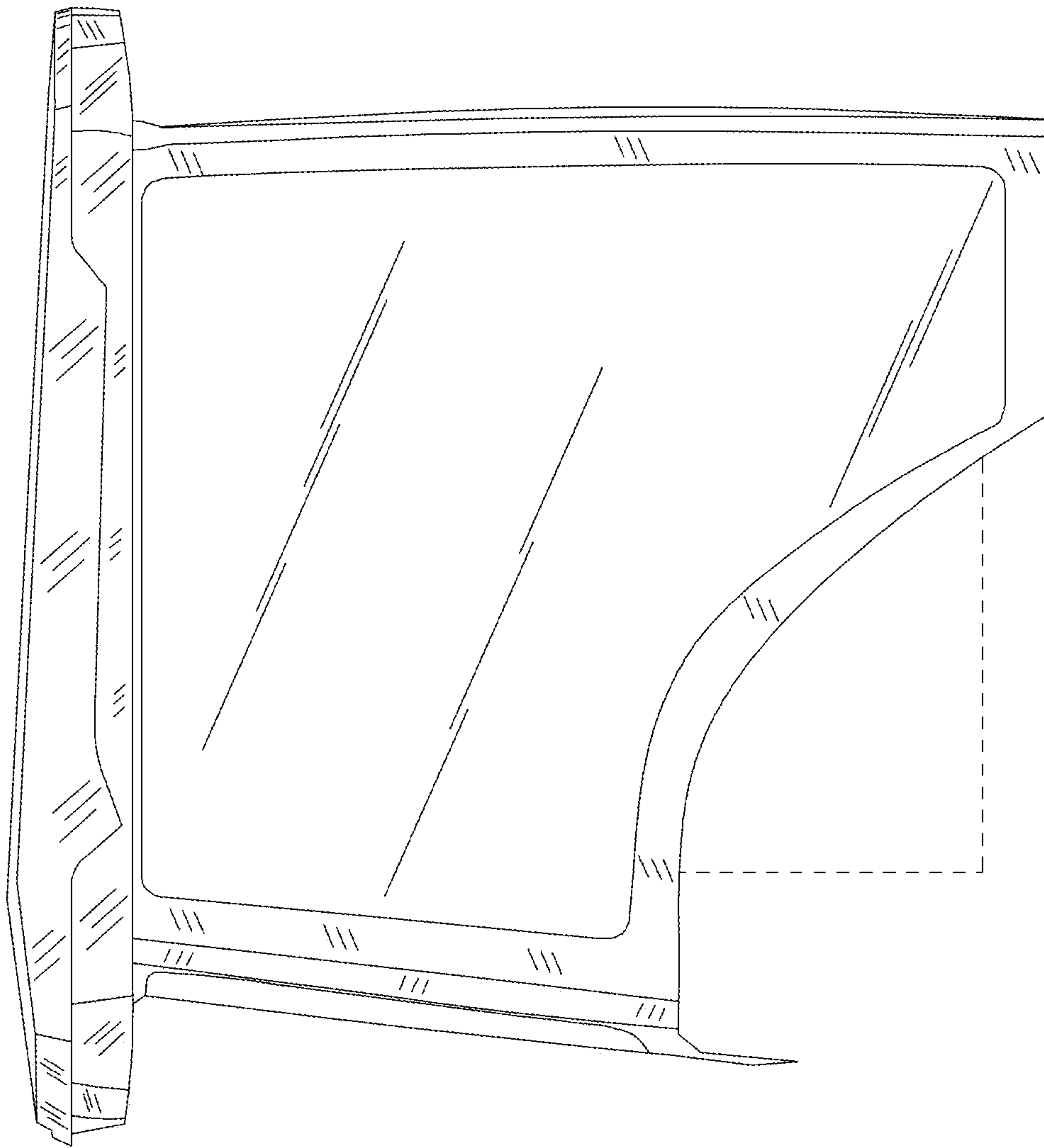


FIG. 3

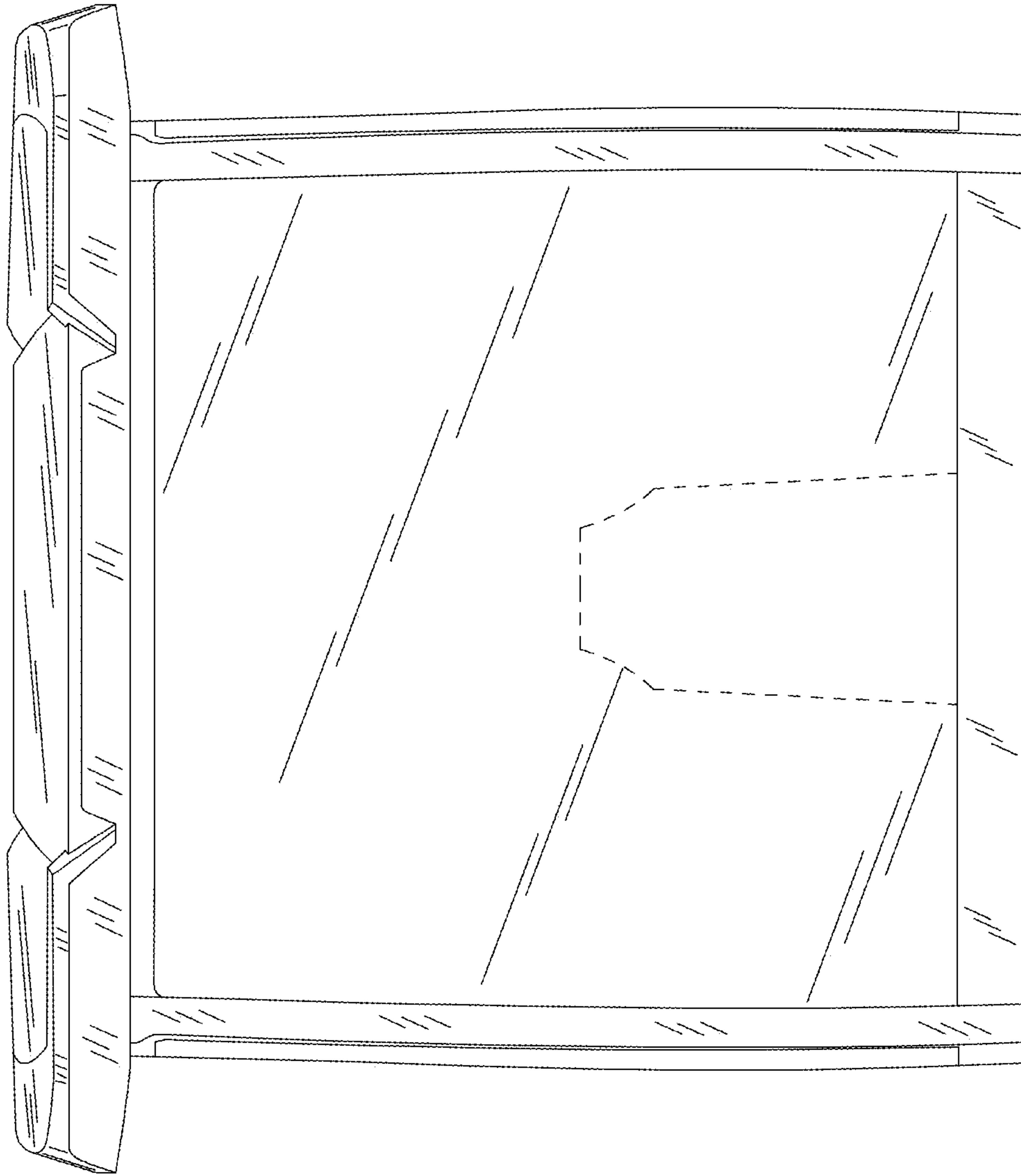


FIG. 4

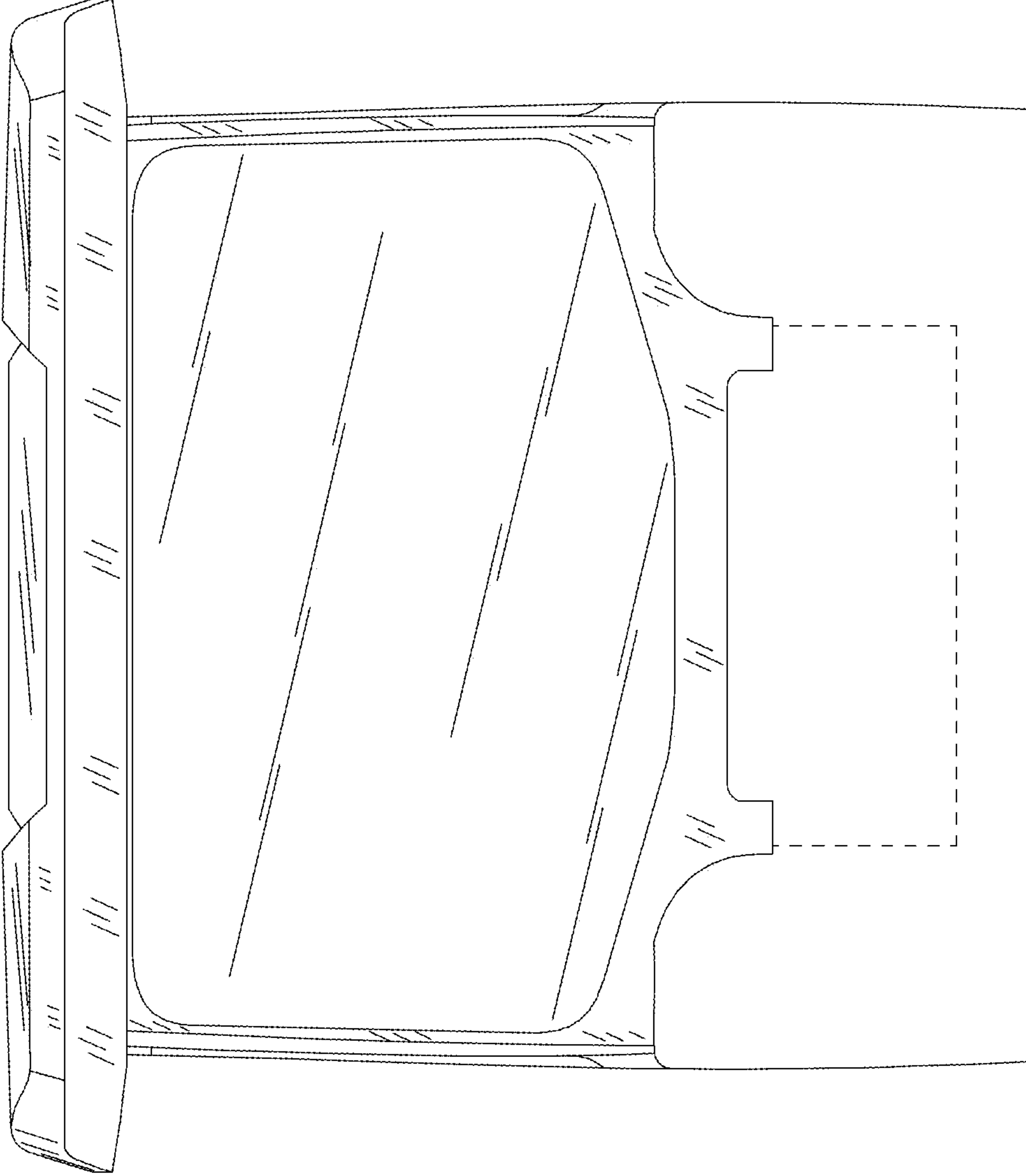


FIG. 5

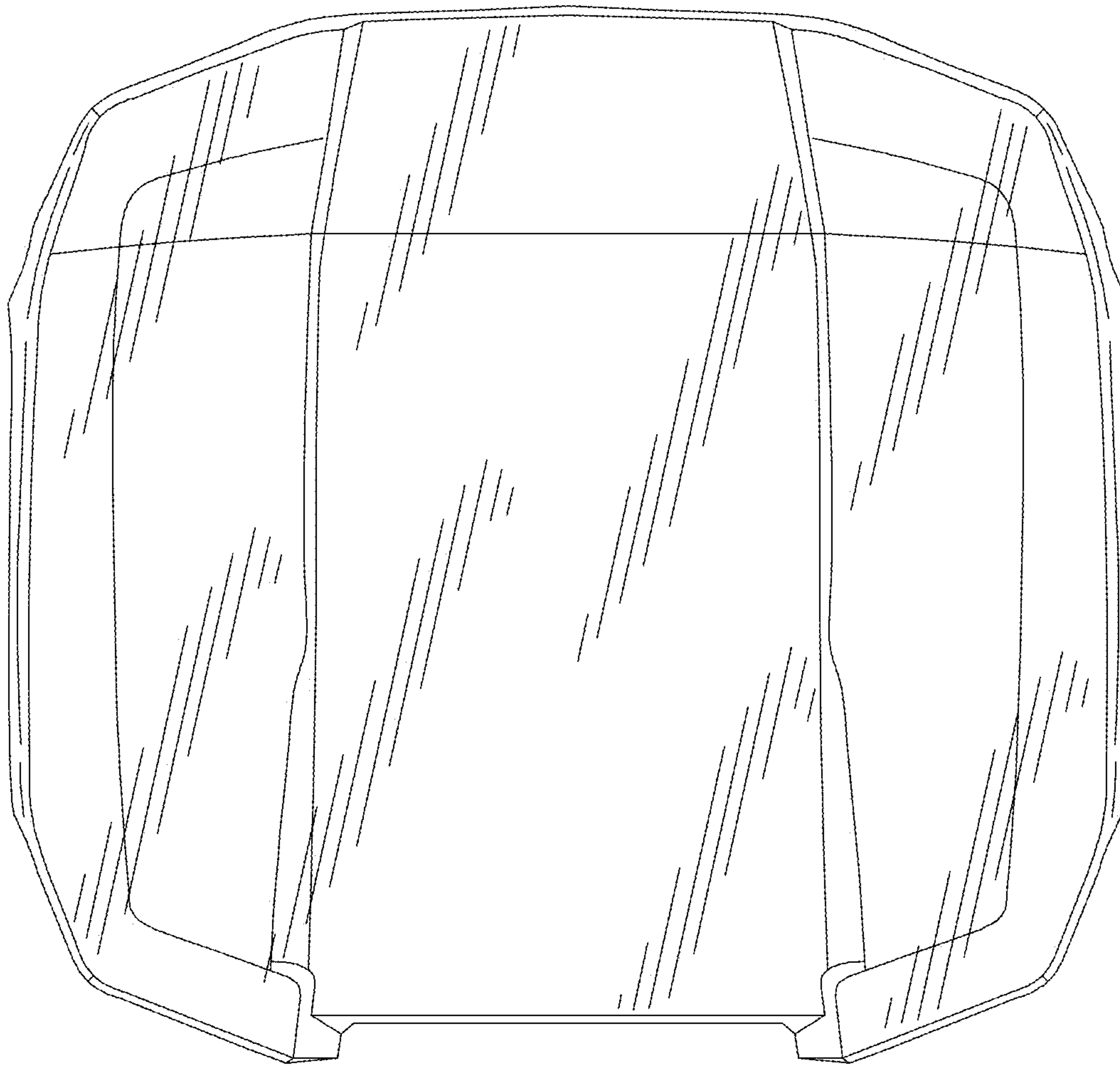


FIG. 6

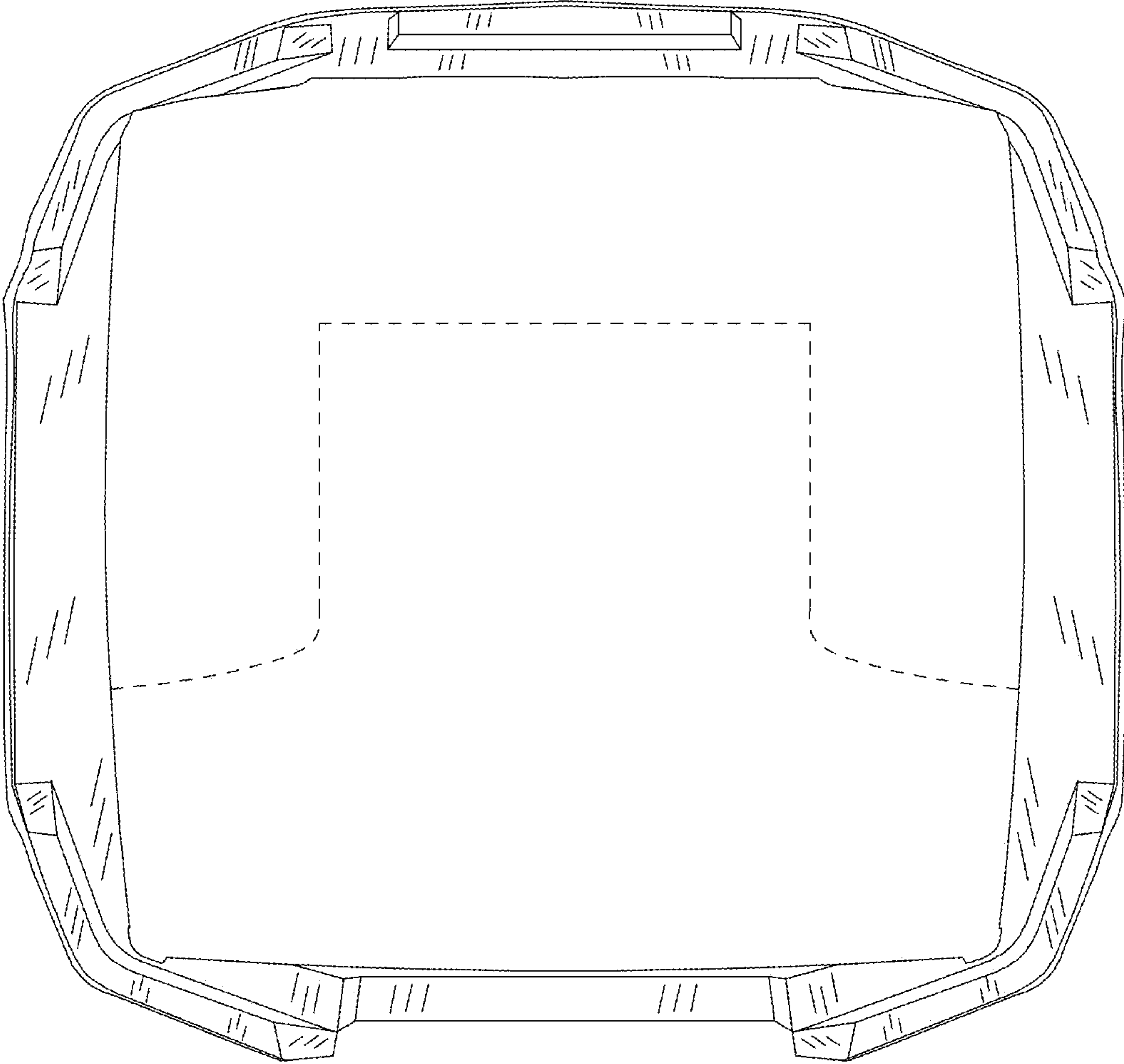


FIG. 7