



US00D928849S

(12) **United States Design Patent** (10) **Patent No.:** **US D928,849 S**
Bjerke et al. (45) **Date of Patent:** **** Aug. 24, 2021**

(54) **BUCKET SHROUD**

5,016,365 A 5/1991 Robinson
5,088,214 A 2/1992 Jones
D329,243 S 9/1992 Robinson
(Continued)

(71) Applicant: **Caterpillar Inc.**, Peoria, IL (US)

(72) Inventors: **Nathan Bjerke**, Peoria, IL (US);
Thomas Marshall Congdon, Dunlap,
IL (US)

FOREIGN PATENT DOCUMENTS

(73) Assignee: **Caterpillar Inc.**, Peoria, IL (US)

AU 139678 7/1999
AU 143089 7/2000
(Continued)

(**) Term: **15 Years**

OTHER PUBLICATIONS

(21) Appl. No.: **29/708,299**

Protector Shroud <https://parts.cat.com/en/catcorp/edge-protection-shrouds/135-8196> (Year: 2021).*
(Continued)

(22) Filed: **Oct. 4, 2019**

(51) **LOC (13) Cl.** **15-03**

(52) **U.S. Cl.**
USPC **D15/29**; D15/28

(58) **Field of Classification Search**
USPC D15/11, 28, 29, 32; D32/53, 53.1, 54
CPC A01B 15/02; E02F 9/28; E02F 9/2825;
E02F 9/2833; E02F 9/2858; E02F 9/2808;
E02F 9/2841; E02F 3/36; E02F 9/285;
E02F 3/8152; E02F 3/40
See application file for complete search history.

Primary Examiner — Michelle E. Wilson
Assistant Examiner — Richard E Yenchesky
(74) *Attorney, Agent, or Firm* — Saidman Design Law Group

(57) **CLAIM**

The ornamental design for a bucket shroud, as shown and described.

(56) **References Cited**

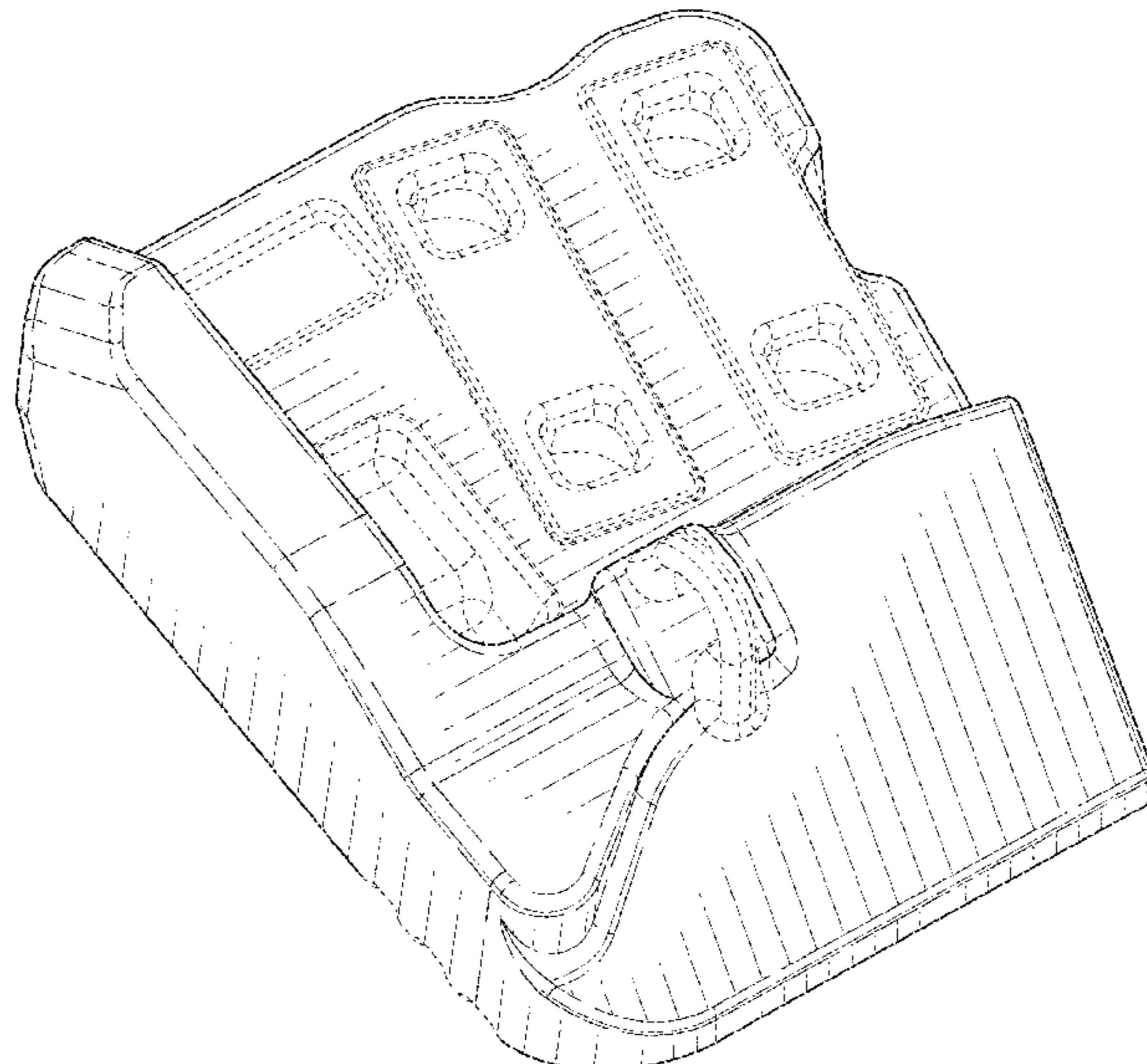
DESCRIPTION

U.S. PATENT DOCUMENTS

- 1,959,847 A 5/1934 Buskirk
- 2,256,488 A 9/1941 Murtaugh
- 3,079,710 A 3/1963 Larsen et al.
- 3,653,133 A 4/1972 Black et al.
- 3,664,044 A 5/1972 Hahn
- D228,936 S 10/1973 Dahlberg et al.
- D241,264 S 8/1976 Dahlberg et al.
- D242,274 S 11/1976 Dahlberg et al.
- D245,780 S 9/1977 Dahlberg et al.
- 4,047,312 A 9/1977 Stepe
- D251,431 S 3/1979 Klett et al.
- 4,231,173 A 11/1980 Davis
- D284,010 S 5/1986 Voyce
- 4,980,980 A 1/1991 Schadov et al.

FIG. 1 is a perspective view of a bucket shroud showing our new design;
FIG. 2 is a front view thereof;
FIG. 3 is a rear view thereof;
FIG. 4 is a left side view thereof;
FIG. 5 is a right side view thereof;
FIG. 6 is a top view thereof; and,
FIG. 7 is a bottom view thereof.
The broken lines illustrate structure or features which form no part of the claimed design.
The drawings include surface shading which represents contour and not surface ornamentation.

1 Claim, 5 Drawing Sheets



US D928,849 S

(56)	References Cited		8,572,870 B2 *	11/2013	Kudo	E02F 3/60
	U.S. PATENT DOCUMENTS					37/444
D336,476 S	6/1993	Garman	D706,307 S *	6/2014	Renski	D15/28
D339,593 S	9/1993	Johansson	D706,312 S *	6/2014	Renski	D15/29
D365,109 S	12/1995	Robinson et al.	D706,840 S *	6/2014	Renski	D15/29
D365,577 S	12/1995	Ruvans	D707,264 S *	6/2014	Renski	D15/29
5,515,625 A	5/1996	Keigley	8,925,220 B2 *	1/2015	Stangeland	E02F 9/2825
5,553,409 A *	9/1996	Irving				37/452
		A01B 15/02	D727,367 S *	4/2015	Renski	D15/28
		172/719	D727,369 S *	4/2015	Renski	D15/29
D378,006 S *	2/1997	Clendenning	D728,635 S *	5/2015	Kunz	D15/29
D381,484 S *	7/1997	Clendenning	D728,636 S *	5/2015	Kunz	D15/29
5,709,043 A *	1/1998	Jones	D728,637 S *	5/2015	Kunz	D15/29
		E02F 9/2833	D741,375 S *	10/2015	Hooijmans	D15/28
		37/458	D741,918 S *	10/2015	Hooijmans	D15/28
5,765,301 A *	6/1998	Clendenning	D749,147 S *	2/2016	Kunz	D15/29
		E02F 9/2841	9,260,839 B2 *	2/2016	Kunz	E02F 9/2833
		37/455	D751,610 S *	3/2016	Serrurier	D15/28
D406,153 S *	2/1999	Holzer	9,315,972 B2	4/2016	Anisy et al.	
D417,877 S *	12/1999	Launder	9,404,240 B2 *	8/2016	Kunz	E02F 9/2883
6,047,487 A *	4/2000	Clendenning	D766,994 S *	9/2016	Kunz	D15/32
		E02F 9/2841	D767,647 S *	9/2016	Kunz	D15/32
		37/452	D769,946 S *	10/2016	Kunz	D15/32
6,230,424 B1 *	5/2001	Renski	D774,566 S *	12/2016	Balan	D15/29
		E02F 3/8152	D775,241 S *	12/2016	Balan	D15/29
		172/772.5	9,518,379 B2	12/2016	Kunz	
6,385,871 B1 *	5/2002	Quarfordt	D775,673 S *	1/2017	Balan	D15/29
		E02F 9/2841	D779,566 S *	2/2017	Cronk	D15/29
		37/455	D788,182 S *	5/2017	Serrurier	D15/28
D458,614 S *	6/2002	Esterhuysen	9,644,348 B2 *	5/2017	Balan	E02F 9/2825
6,457,268 B1 *	10/2002	Perry	D790,601 S *	6/2017	Balan	D15/29
		E02F 3/8152	D790,603 S *	6/2017	Balan	D15/29
		37/403	D790,604 S *	6/2017	Balan	D15/29
6,457,269 B1 *	10/2002	Esterhuysen	D790,605 S *	6/2017	Balan	D15/29
		E02F 9/285	D790,606 S *	6/2017	Balan	D15/29
		172/713	D797,162 S *	9/2017	Kunz	D15/32
D478,599 S *	8/2003	Zaayman	D797,163 S *	9/2017	Kunz	D15/32
6,735,891 B2 *	5/2004	Pallas Moreno	D801,397 S *	10/2017	Balan	D15/29
		E02F 9/2841	D805,112 S *	12/2017	Serrurier	D15/29
		37/457	D805,562 S *	12/2017	Serrurier	D15/29
6,745,503 B1 *	6/2004	Pallas Moreno	D806,139 S *	12/2017	Serrurier	D15/29
		E02F 9/2825	D806,140 S *	12/2017	Serrurier	D15/29
		37/452	D806,141 S *	12/2017	Serrurier	D15/29
6,952,892 B1 *	10/2005	Bierwith	D806,142 S *	12/2017	Serrurier	D15/29
		E02F 9/2816	D806,759 S *	1/2018	Serrurier	D15/29
		37/195	9,856,629 B1 *	1/2018	Kunz	G06F 30/00
6,990,760 B1 *	1/2006	Zaayman	9,970,181 B2	5/2018	Kunz	
		E02F 3/36	D832,309 S *	10/2018	Balan	D15/29
		37/446	D832,310 S *	10/2018	Balan	D15/29
6,993,861 B2	2/2006	Carpenter et al.	D842,345 S	3/2019	Kunz	
D522,536 S *	6/2006	Oh	D842,346 S	3/2019	Bjerke et al.	
7,080,470 B2	7/2006	Jones	D842,347 S	3/2019	Bjerke et al.	
D537,846 S *	3/2007	Block	D873,306 S *	1/2020	Bjerke	D15/29
D541,311 S *	4/2007	Oh	D882,644 S *	4/2020	Bjerke	D15/29
7,219,454 B2 *	5/2007	Maher	D882,645 S *	4/2020	Bjerke	D15/29
		E02F 9/2833	D882,646 S *	4/2020	Bjerke	D15/29
		172/753	D901,550 S *	11/2020	Bjerke	D15/29
7,266,914 B2 *	9/2007	Grant	D901,551 S *	11/2020	Bjerke	D15/29
		E02F 3/40	D901,552 S *	11/2020	Bjerke	D15/29
		37/444	2003/0024139 A1 *	2/2003	Jones	E02F 9/28
D554,157 S *	10/2007	Renski				37/456
D554,159 S *	10/2007	Boggs	2004/0107608 A1 *	6/2004	Meyers	E02F 9/2825
7,275,338 B2 *	10/2007	LaHood				37/452
		E02F 9/28	2004/0216335 A1 *	11/2004	Jones	E02F 9/2883
		37/449				37/453
D562,356 S *	2/2008	Watanabe	2006/0117613 A1	6/2006	Jones et al.	
D567,825 S *	4/2008	Clendenning	2007/0204490 A1 *	9/2007	Jones	E02F 9/28
D567,826 S *	4/2008	Clendenning				37/452
D567,827 S *	4/2008	Clendenning	2008/0092413 A1 *	4/2008	McClanahan	E02F 9/2841
7,367,144 B2	5/2008	Jones et al.				37/451
D576,644 S *	9/2008	Clendenning	2009/0282711 A1 *	11/2009	Naher	E02F 9/2841
7,451,558 B2	11/2008	Jones				37/455
D602,505 S *	10/2009	Ruvang	2012/0304508 A1 *	12/2012	Guimaraes	E02F 9/2825
D623,671 S *	9/2010	Bolyard				37/457
7,793,444 B2 *	9/2010	Jones	2013/0008062 A1 *	1/2013	Guimaraes	E02F 9/2883
		E02F 9/2883				37/446
		37/456	2013/0185964 A1 *	7/2013	Anisy	E02F 9/2825
D624,943 S *	10/2010	Gibbon				37/453
D631,490 S *	1/2011	Drager				
D643,049 S *	8/2011	Nickels				
8,024,874 B2 *	9/2011	McClanahan				
		E02F 9/2883				
		37/452				
D656,522 S *	3/2012	Elliott				
8,347,530 B2 *	1/2013	Clendenning				
		E02F 9/2825				
		37/452				
D676,065 S *	2/2013	Attwood				
D676,066 S *	2/2013	Attwood				
D676,067 S *	2/2013	Attwood				
D676,465 S *	2/2013	Attwood				
D678,361 S *	3/2013	Attwood				

(56)

References Cited

U.S. PATENT DOCUMENTS

2013/0318840 A1* 12/2013 Ollinger, IV E02F 9/2883
 37/444
 2014/0082976 A1* 3/2014 Vicq E02F 9/2883
 37/453
 2014/0082977 A1* 3/2014 Pilon E02F 3/40
 37/453
 2014/0173949 A1* 6/2014 Karlsson E02F 9/2833
 37/455
 2015/0211215 A1* 7/2015 Dallard E02F 9/2858
 37/448
 2015/0247306 A1* 9/2015 Kunz E02F 9/2883
 37/455
 2016/0356024 A1* 12/2016 Gandy E02F 9/2833
 2017/0073938 A1* 3/2017 Bjerke E02F 9/2841
 2018/0363274 A1* 12/2018 Kunz E02F 9/2858
 2018/0363275 A1* 12/2018 Kunz E02F 9/2833

CL 201200733 3/2012
 CL 201200291 11/2012
 CL 201302335 8/2013
 CL 201400896 8/2014
 CL 201503078 4/2016
 CL 201700123 5/2017
 CL 201700124 5/2017
 CL 201701496 3/2018
 CL 201701497 3/2018
 CL 201701498 3/2018
 CL 201701499 3/2018
 CL 201800157 7/2018
 CL 201800175 8/2018
 CL 201900854 6/2019
 CL 201900855 6/2019
 CL 201900856 6/2019
 CL 201901234 7/2019
 EM 006367660-0001 4/2019
 EM 006367702-0001 4/2019
 EM 006434288-0001 5/2019
 WO WO 2007/016719 A1 2/2007

FOREIGN PATENT DOCUMENTS

CL 199502068 10/1996
 CL 199800391 11/1998
 CL 199901193 10/1999
 CL 199900223 11/1999
 CL 199901457 12/1999
 CL 199901583 6/2000
 CL 200501785 7/2005
 CL 200503115 9/2006
 CL 200503116 9/2006
 CL 200800173 8/2008
 CL 200800174 8/2008
 CL 200802524 1/2009
 CL 200801735 5/2009
 CL 200801764 7/2009
 CL 200602263 8/2010
 CL 201000618 11/2010
 CL 201000739 12/2010
 CL 201200732 3/2012

OTHER PUBLICATIONS

CAT Shroud <https://parts.cat.com/en/catcorp/339-0310> (Year: 2021).*
 CAT Shroud <https://parts.cat.com/en/catcorp/edge-protection-shrouds/128-5927> (Year: 2021).*
 U.S. Appl. No. 62/148,992, filed Apr. 17, 2015. (Unpublished).
 U.S. Appl. No. 62/149,077, filed Apr. 17, 2015. (Unpublished).
 U.S. Appl. No. 62/149,161, filed Apr. 17, 2015. (Unpublished).
 U.S. Appl. No. 62/149,229, filed Apr. 17, 2015. (Unpublished).
 U.S. Appl. No. 29/663,270, filed Sep. 13, 2018. (Unpublished).
 U.S. Appl. No. 29/665,446, filed Oct. 3, 2018. (Unpublished).
 U.S. Appl. No. 29/665,450, filed Oct. 3, 2018. (Unpublished).
 U.S. Appl. No. 29/669,677, filed Nov. 9, 2018. (Unpublished).
 U.S. Appl. No. 29/672,115, filed Dec. 3, 2018. (Unpublished).
 U.S. Appl. No. 29/708,298, filed Oct. 4, 2019. (Unpublished).
 U.S. Appl. No. 29/708,296, filed Oct. 4, 2019. (Unpublished).

* cited by examiner

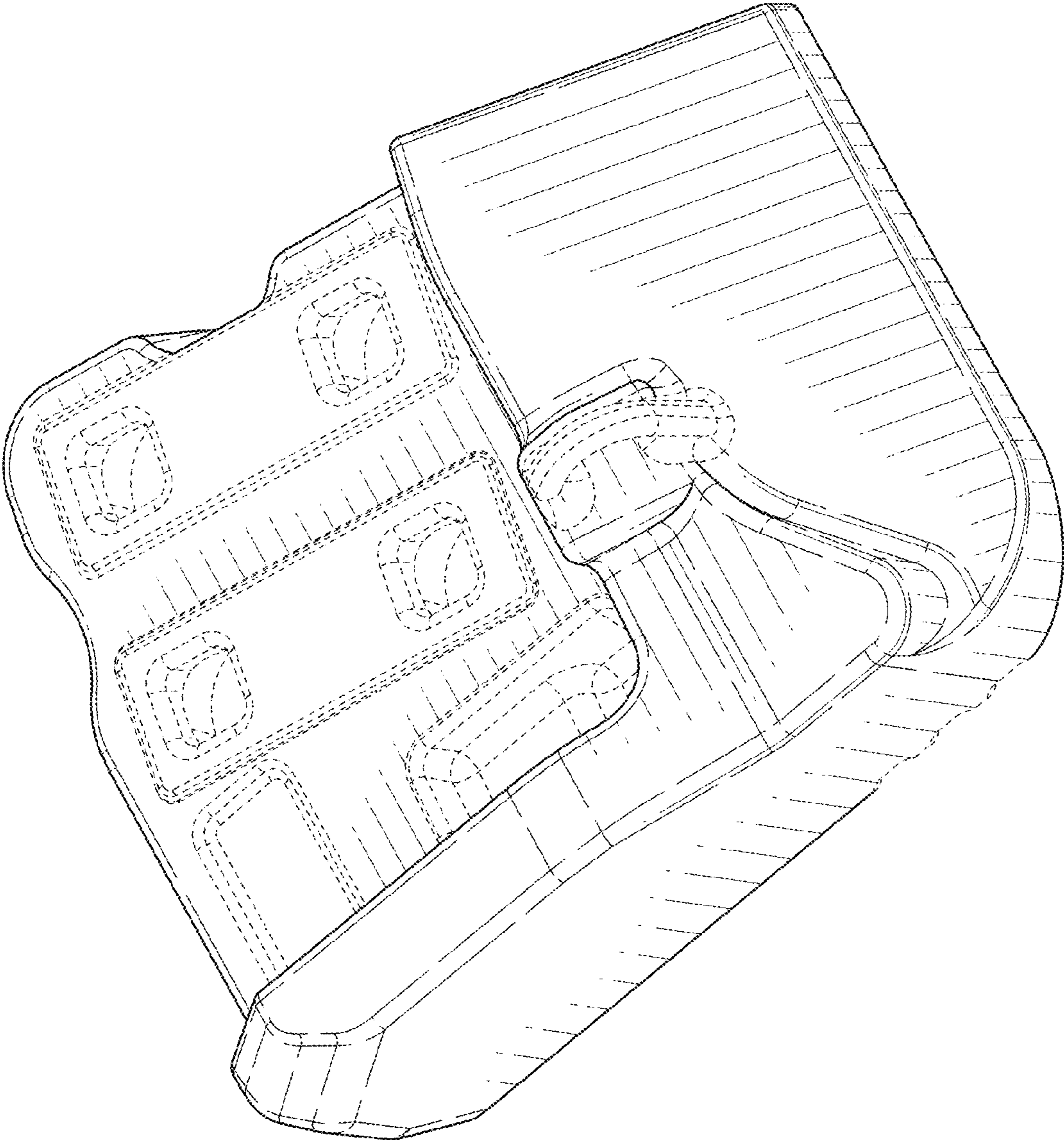


FIG. 1

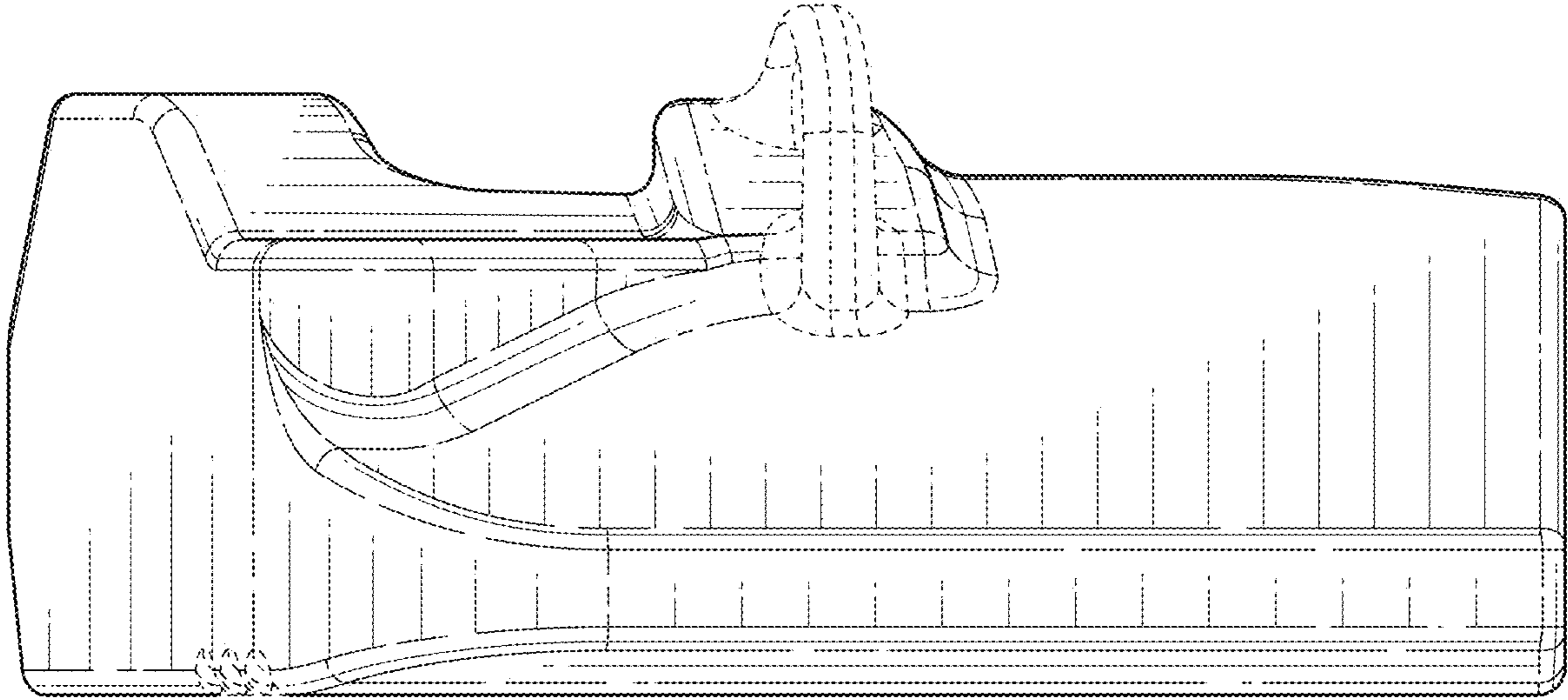


FIG. 2

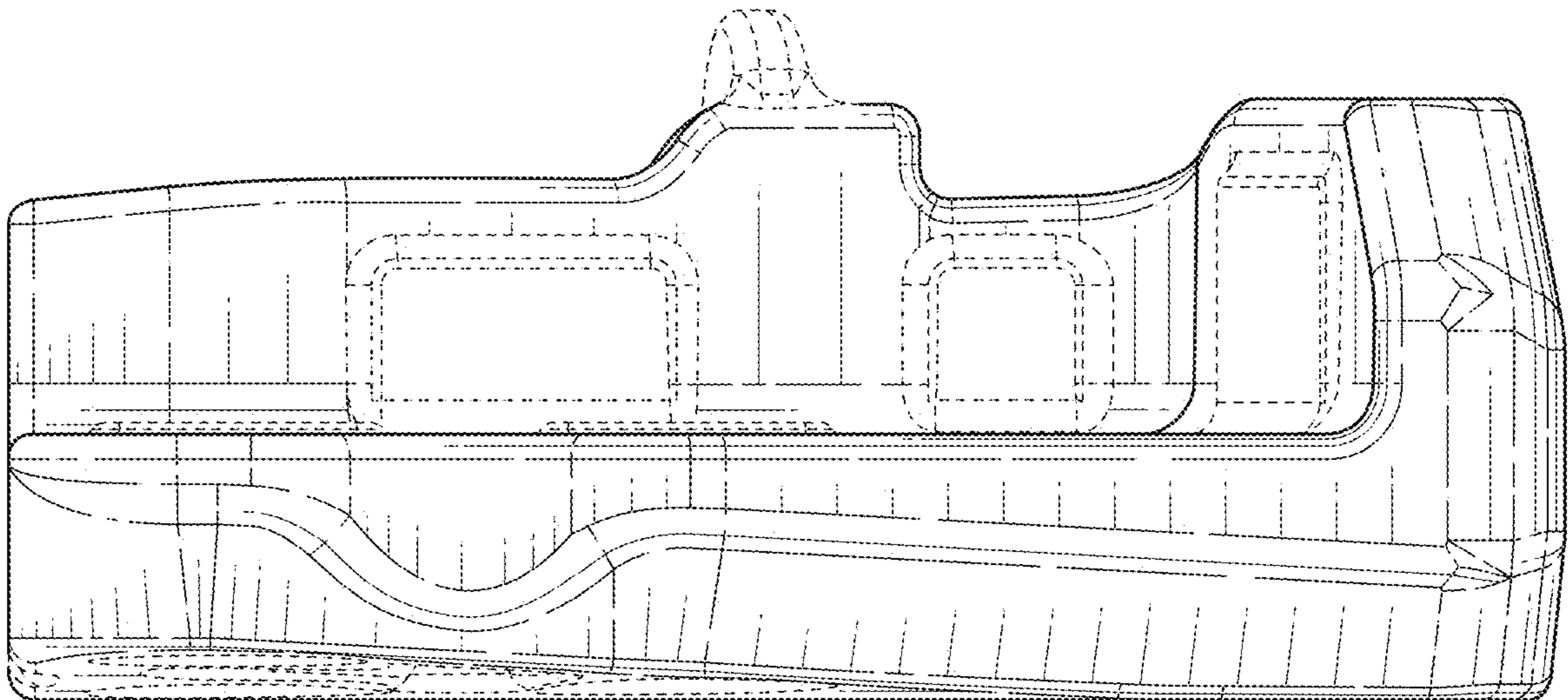


FIG. 3

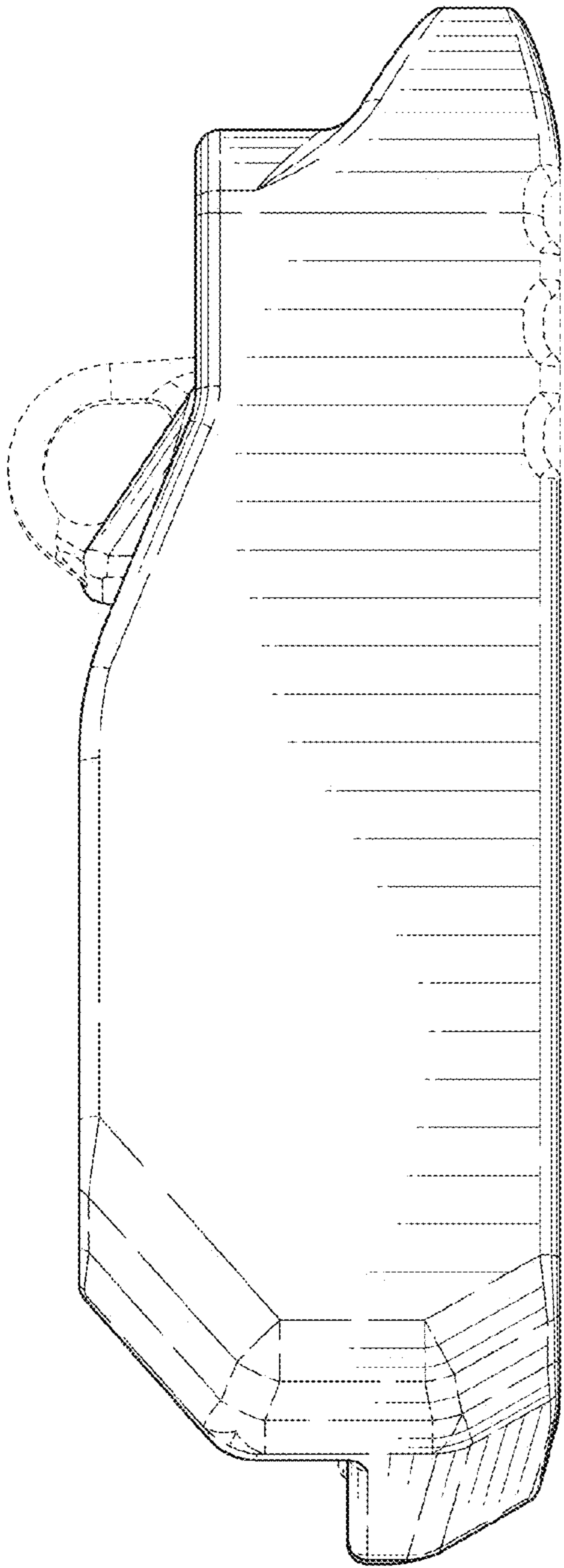


FIG. 4

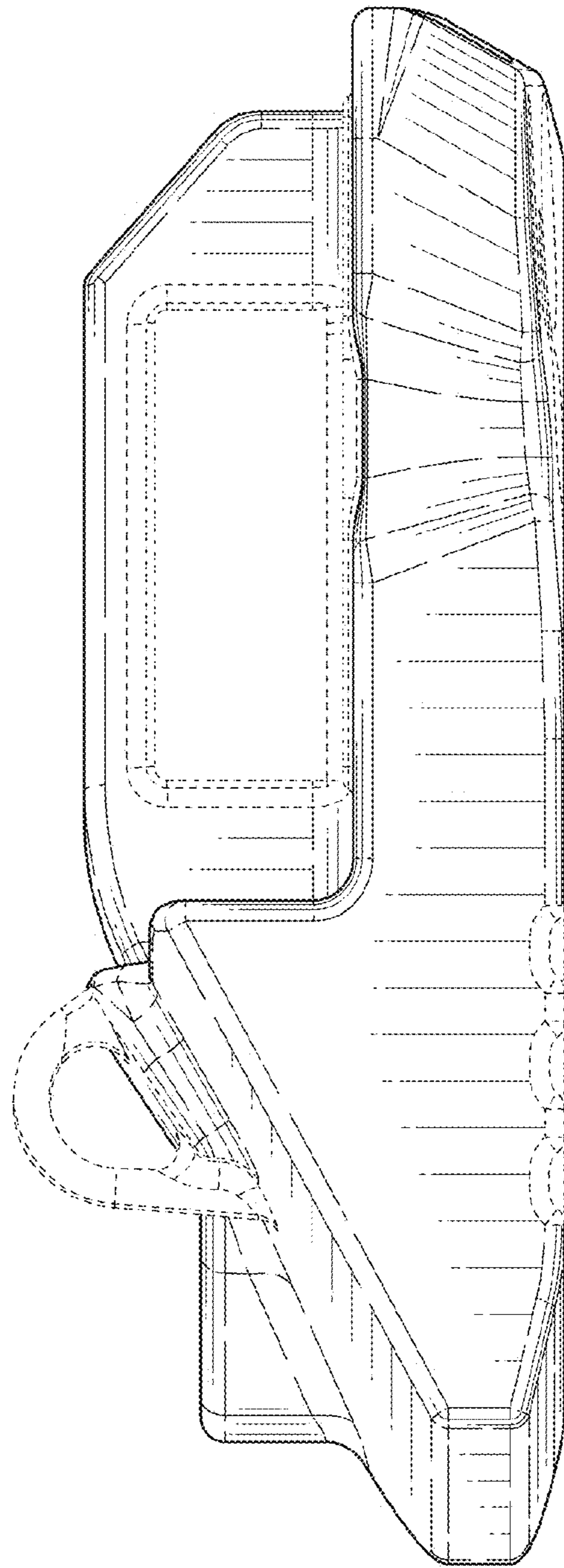


FIG. 5

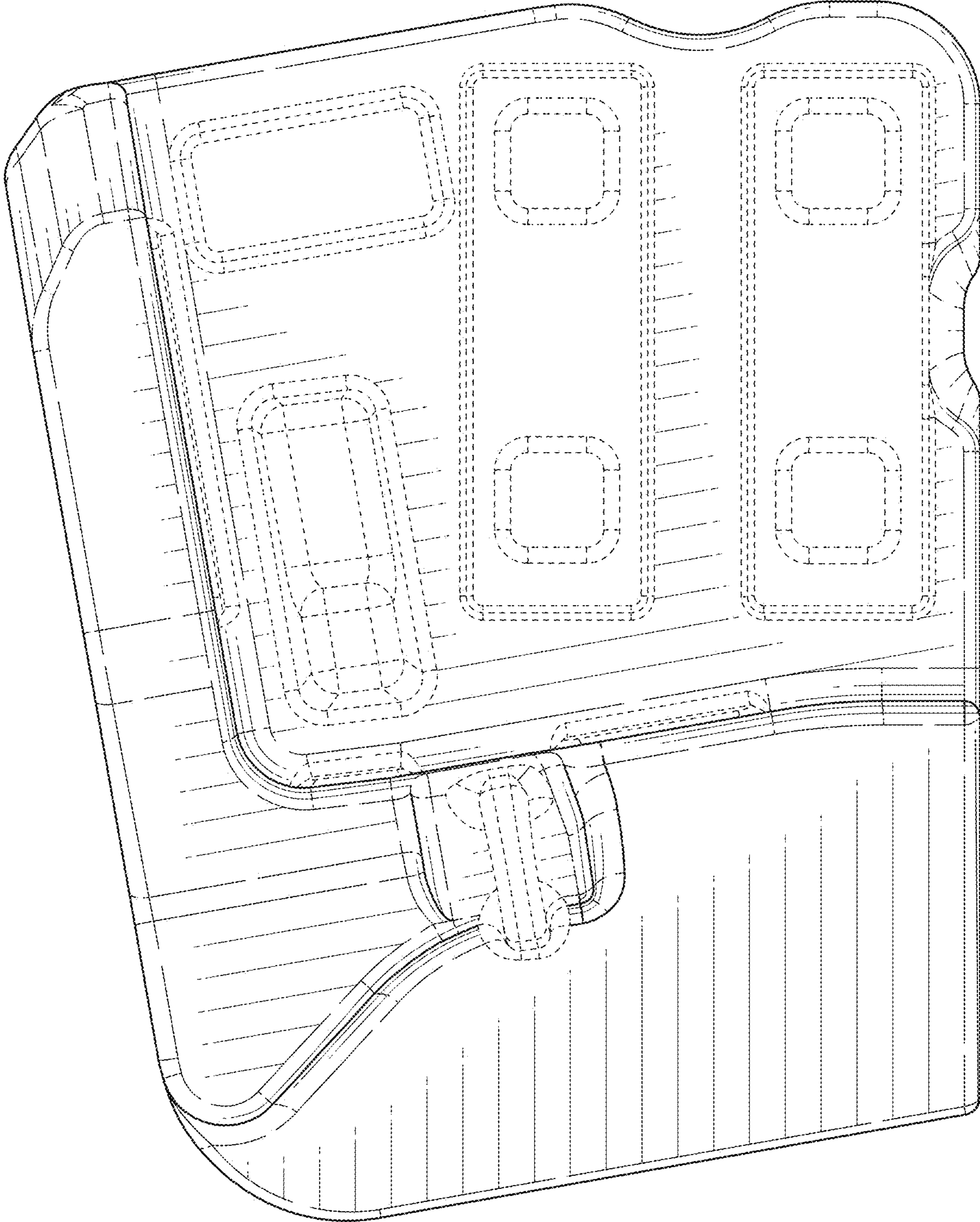


FIG. 6

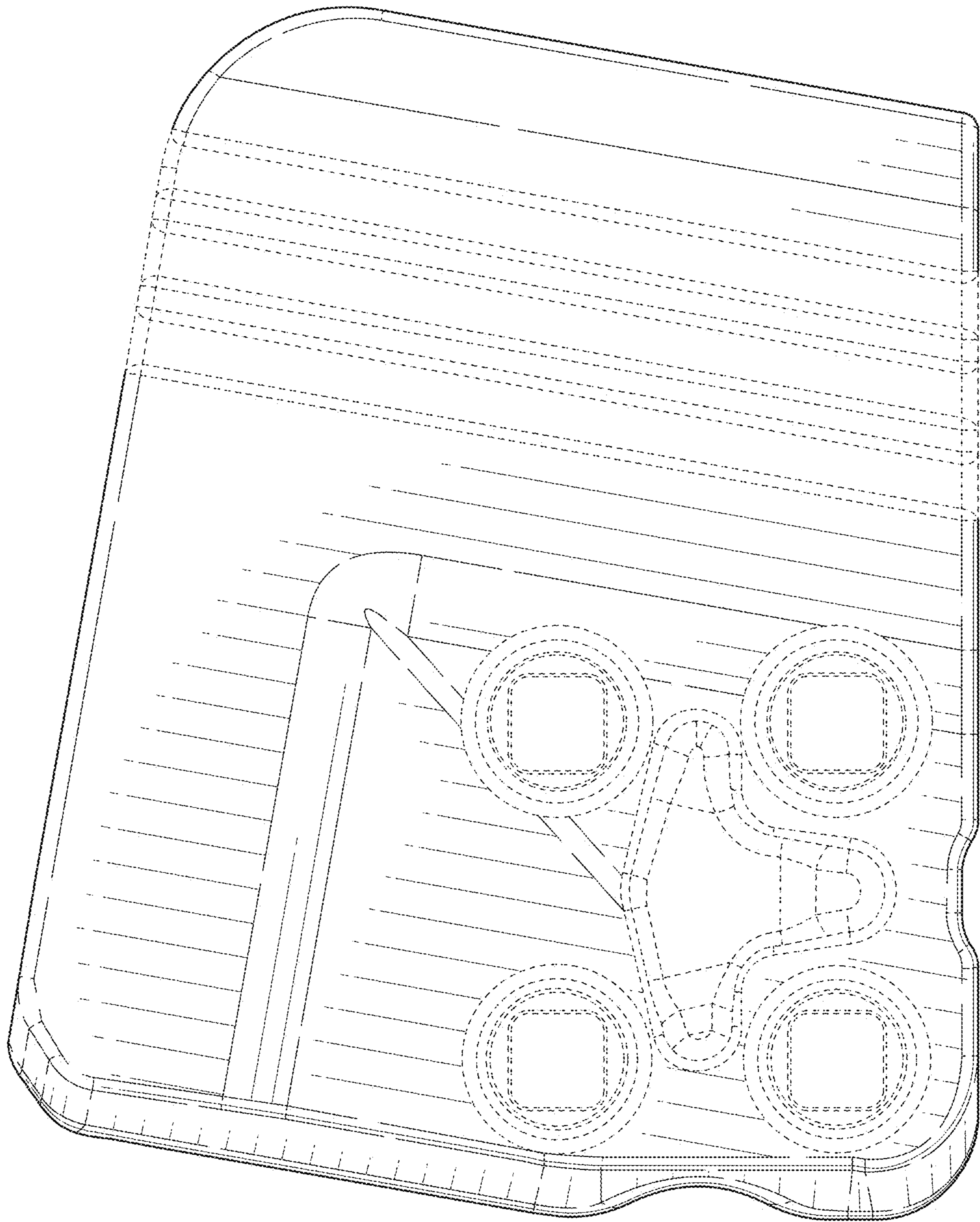


FIG. 7