



US00D928848S

(12) **United States Design Patent** (10) **Patent No.:** **US D928,848 S**  
**Bjerke et al.** (45) **Date of Patent:** **\*\* Aug. 24, 2021**

(54) **BUCKET SHROUD**  
(71) Applicant: **Caterpillar Inc.**, Peoria, IL (US)  
(72) Inventors: **Nathan Bjerke**, Peoria, IL (US);  
**Thomas Marshall Congdon**, Dunlap,  
IL (US)

4,980,980 A 1/1991 Schadov et al.  
5,016,365 A 5/1991 Robinson  
5,088,214 A 2/1992 Jones  
D329,243 S 9/1992 Robinson  
D336,476 S 6/1993 Garman  
(Continued)

FOREIGN PATENT DOCUMENTS

(73) Assignee: **Caterpillar Inc.**, Peoria, IL (US)  
(\*\*) Term: **15 Years**

AU 139678 7/1999  
AU 143089 7/2000  
(Continued)

(21) Appl. No.: **29/708,296**

OTHER PUBLICATIONS

(22) Filed: **Oct. 4, 2019**  
(51) **LOC (13) Cl.** ..... **15-03**  
(52) **U.S. Cl.**  
USPC ..... **D15/29**; D15/28  
(58) **Field of Classification Search**  
USPC ..... D15/11, 28, 29, 32; D32/53, 53.1, 54  
CPC ..... A01B 15/02; E02F 9/28; E02F 9/2825;  
E02F 9/2833; E02F 9/2858; E02F 9/2808;  
E02F 9/2841; E02F 3/36; E02F 9/285;  
E02F 3/8152; E02F 3/40  
See application file for complete search history.

CAT Shroud <https://parts.cat.com/en/catcorp/339-0310> (Year: 2021).\*  
(Continued)

*Primary Examiner* — Michelle E. Wilson  
*Assistant Examiner* — Richard E Yenchesky  
(74) *Attorney, Agent, or Firm* — Saidman Design Law  
Group

(57) **CLAIM**

The ornamental design for a bucket shroud, as shown and described.

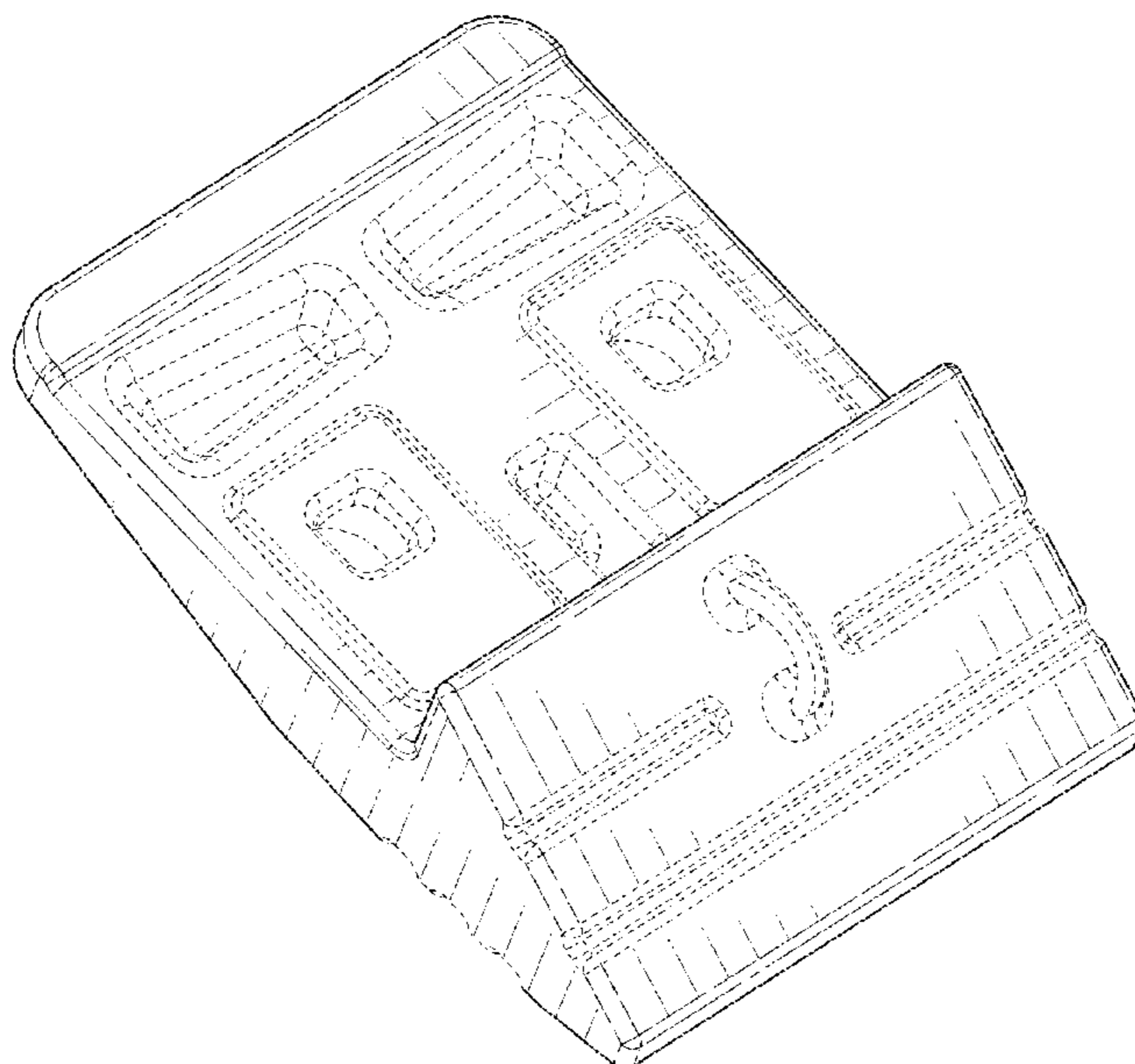
**DESCRIPTION**

FIG. 1 is a perspective view of a bucket shroud showing our new design;  
FIG. 2 is a front view thereof;  
FIG. 3 is a rear view thereof;  
FIG. 4 is a left side view thereof;  
FIG. 5 is a right side view thereof;  
FIG. 6 is a top view thereof; and,  
FIG. 7 is a bottom view thereof.  
The broken lines illustrate structure or features which form no part of the claimed design.  
The drawings include surface shading which represents contour and not surface ornamentation.

(56) **References Cited**  
U.S. PATENT DOCUMENTS

1,959,847 A 5/1934 Buskirk  
2,256,488 A 9/1941 Murtaugh  
3,079,710 A 3/1963 Larsen et al.  
3,653,133 A 4/1972 Black et al.  
3,664,044 A 5/1972 Hahn  
D228,936 S 10/1973 Dahlberg et al.  
D241,264 S 8/1976 Dahlberg et al.  
D242,274 S 11/1976 Dahlberg et al.  
D245,780 S 9/1977 Dahlberg et al.  
4,047,312 A 9/1977 Stepe  
D251,431 S 3/1979 Klett et al.  
4,231,173 A 11/1980 Davis  
D284,010 S 5/1986 Vovce

**1 Claim, 5 Drawing Sheets**





(56)

**References Cited**

U.S. PATENT DOCUMENTS

2014/0082976	A1*	3/2014	Vicq	.....	E02F 9/2883
					37/453
2014/0082977	A1*	3/2014	Pilon	.....	E02F 3/40
					37/453
2014/0173949	A1*	6/2014	Karlsson	.....	E02F 9/2833
					37/455
2015/0211215	A1*	7/2015	Dallard	.....	E02F 9/2858
					37/448
2015/0247306	A1*	9/2015	Kunz	.....	E02F 9/2883
					37/455
2016/0356024	A1*	12/2016	Gandy	.....	E02F 9/2833
2017/0073938	A1*	3/2017	Bjerke	.....	E02F 9/2841
2018/0363274	A1*	12/2018	Kunz	.....	E02F 9/2858
2018/0363275	A1*	12/2018	Kunz	.....	E02F 9/2833

FOREIGN PATENT DOCUMENTS

CL	199502068	10/1996
CL	199800391	11/1998
CL	199901193	10/1999
CL	199900223	11/1999
CL	199901457	12/1999
CL	199901583	6/2000
CL	200501785	7/2005
CL	200503115	9/2006
CL	200503116	9/2006
CL	200800173	8/2008
CL	200800174	8/2008
CL	200802524	1/2009
CL	200801735	5/2009
CL	200801764	7/2009
CL	200602263	8/2010
CL	201000618	11/2010
CL	201000739	12/2010
CL	201200732	3/2012

CL	201200733	3/2012
CL	201200291	11/2012
CL	201302335	8/2013
CL	201400896	8/2014
CL	201503078	4/2016
CL	201700123	5/2017
CL	201700124	5/2017
CL	201701496	3/2018
CL	201701497	3/2018
CL	201701498	3/2018
CL	201701499	3/2018
CL	201800157	7/2018
CL	201800175	8/2018
CL	201900854	6/2019
CL	201900855	6/2019
CL	201900856	6/2019
CL	201901234	7/2019
EM	006367660-0001	4/2019
EM	006367702-0001	4/2019
EM	006434288-0001	5/2019
WO	WO 2007/016719 A1	2/2007

OTHER PUBLICATIONS

CAT Shroud <https://parts.cat.com/en/catcorp/edge-protection-shrouds/128-5927> (Year: 2021).\*

U.S. Appl. No. 62/148,992, filed Apr. 17, 2015. (Unpublished).

U.S. Appl. No. 62/149,077, filed Apr. 17, 2015. (Unpublished).

U.S. Appl. No. 62/149,161, filed Apr. 17, 2015. (Unpublished).

U.S. Appl. No. 62/149,229, filed Apr. 17, 2015. (Unpublished).

U.S. Appl. No. 29/663,270, filed Sep. 13, 2018. (Unpublished).

U.S. Appl. No. 29/665,446, filed Oct. 3, 2018. (Unpublished).

U.S. Appl. No. 29/665,450, filed Oct. 3, 2018. (Unpublished).

U.S. Appl. No. 29/669,677, filed Nov. 9, 2018. (Unpublished).

U.S. Appl. No. 29/672,115, filed Dec. 3, 2018. (Unpublished).

U.S. Appl. No. 29/708,299, filed Oct. 4, 2019. (Unpublished).

U.S. Appl. No. 29/708,298, filed Oct. 4, 2019. (Unpublished).

\* cited by examiner

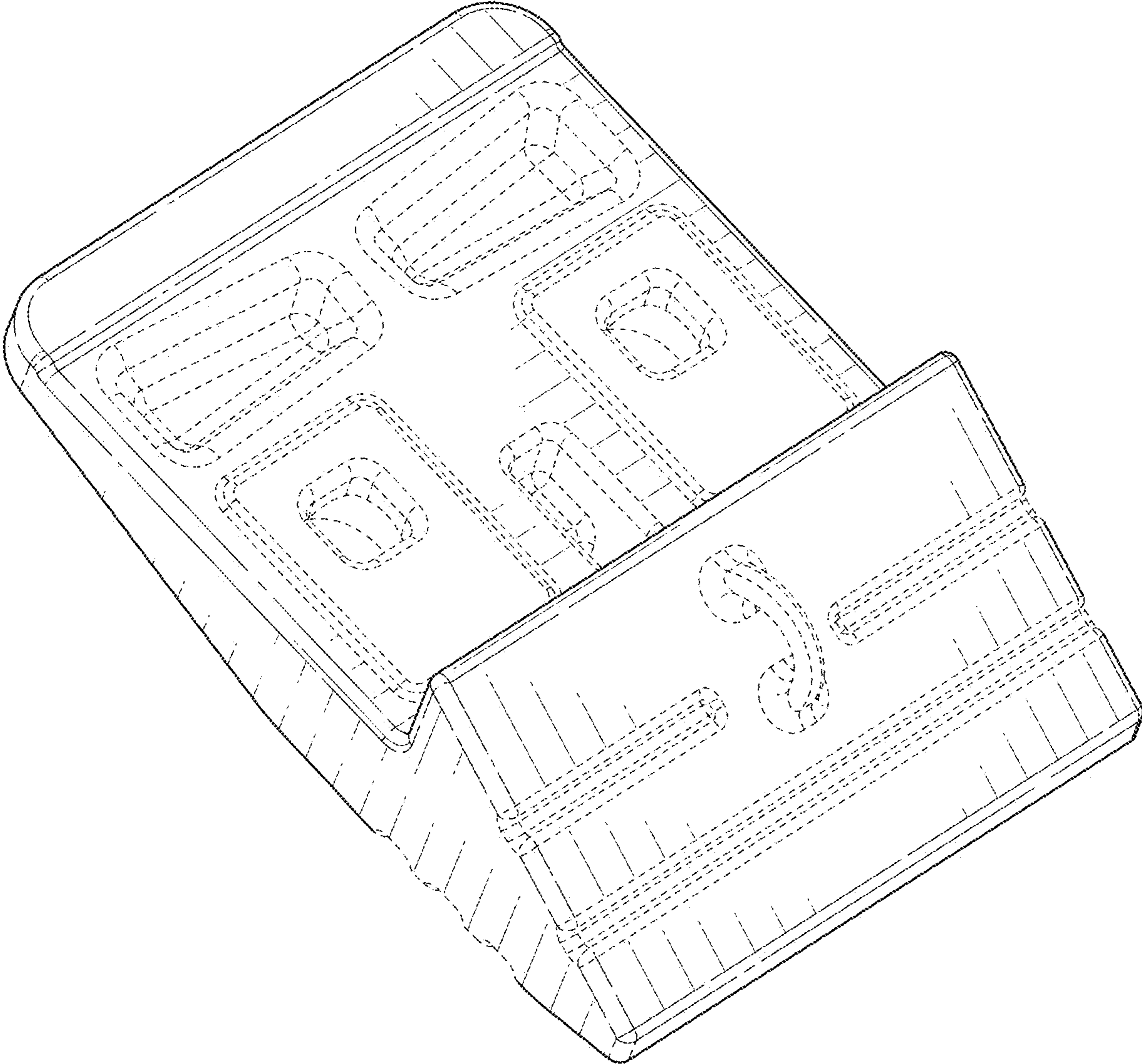


FIG. 1

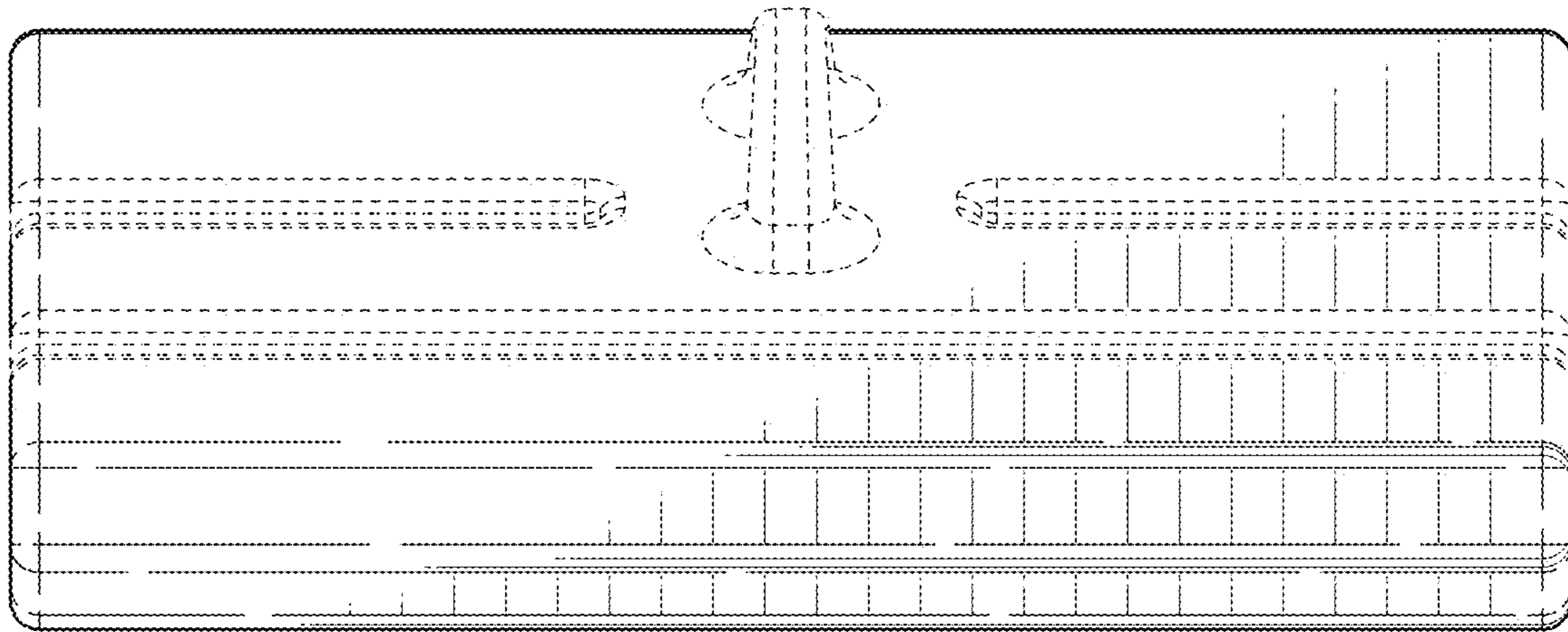


FIG. 2

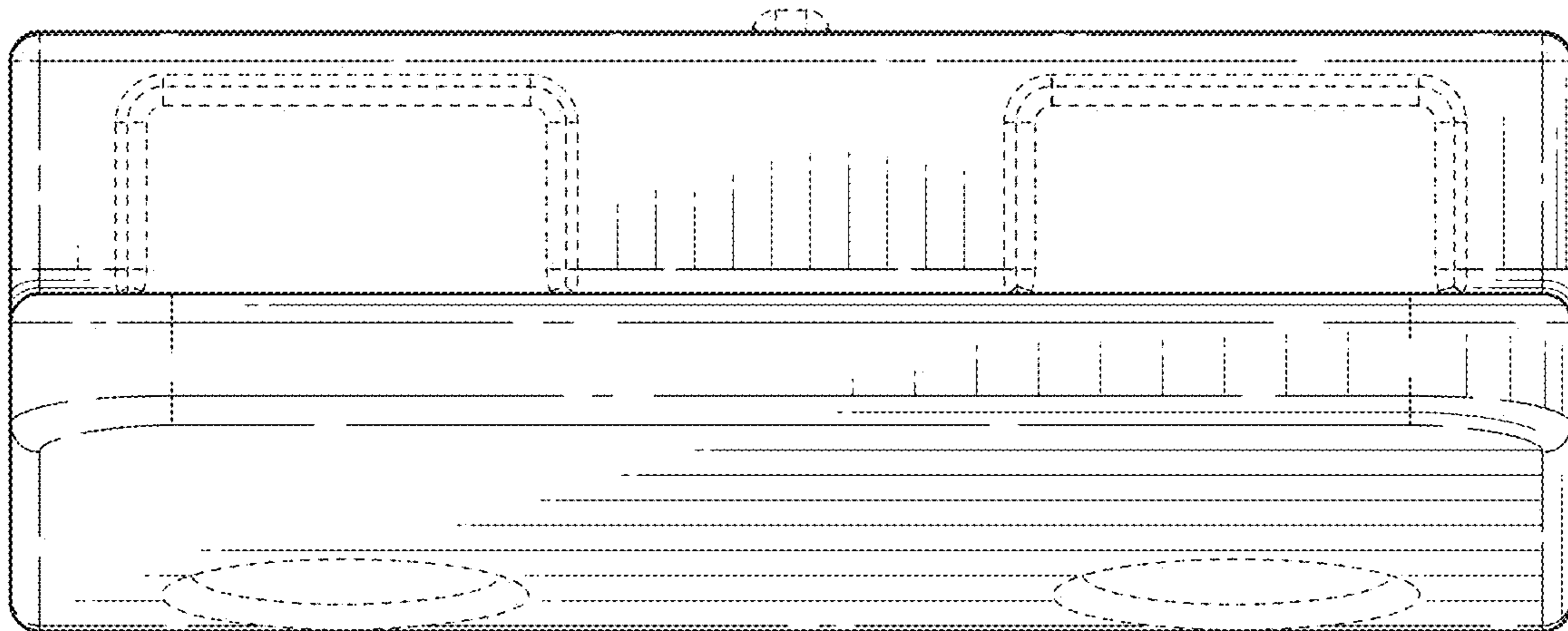


FIG. 3

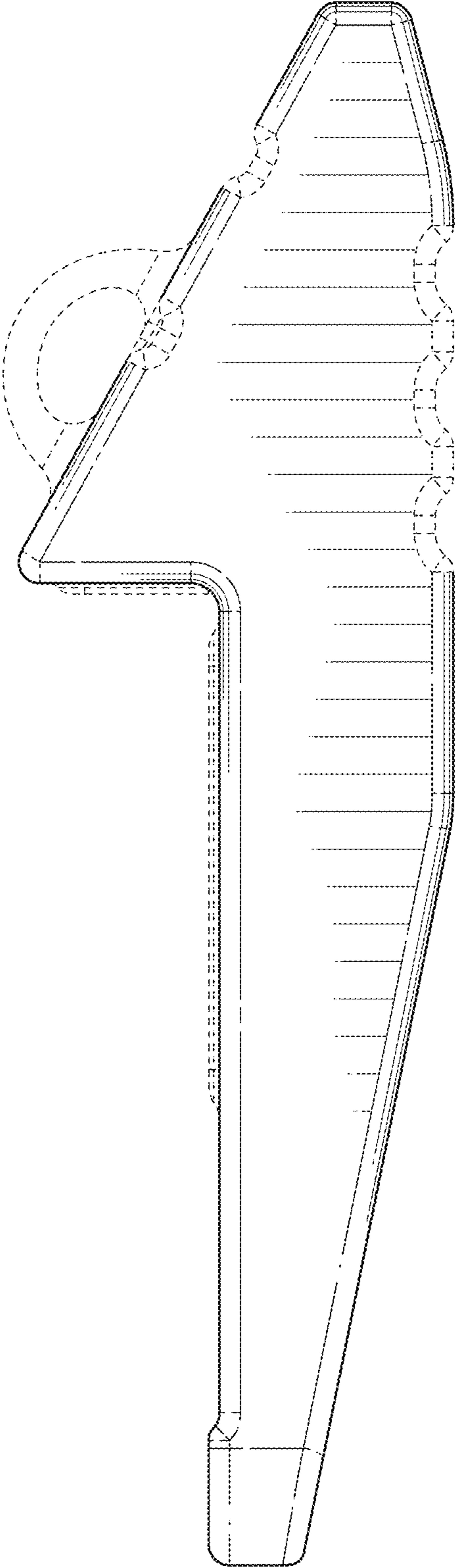


FIG. 4

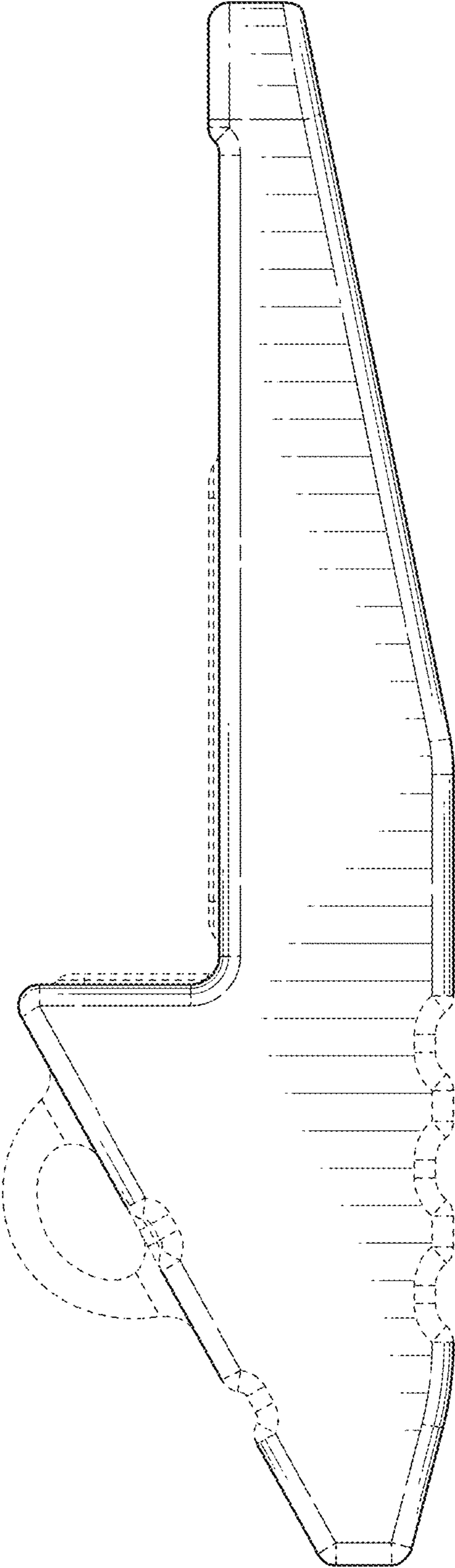


FIG. 5

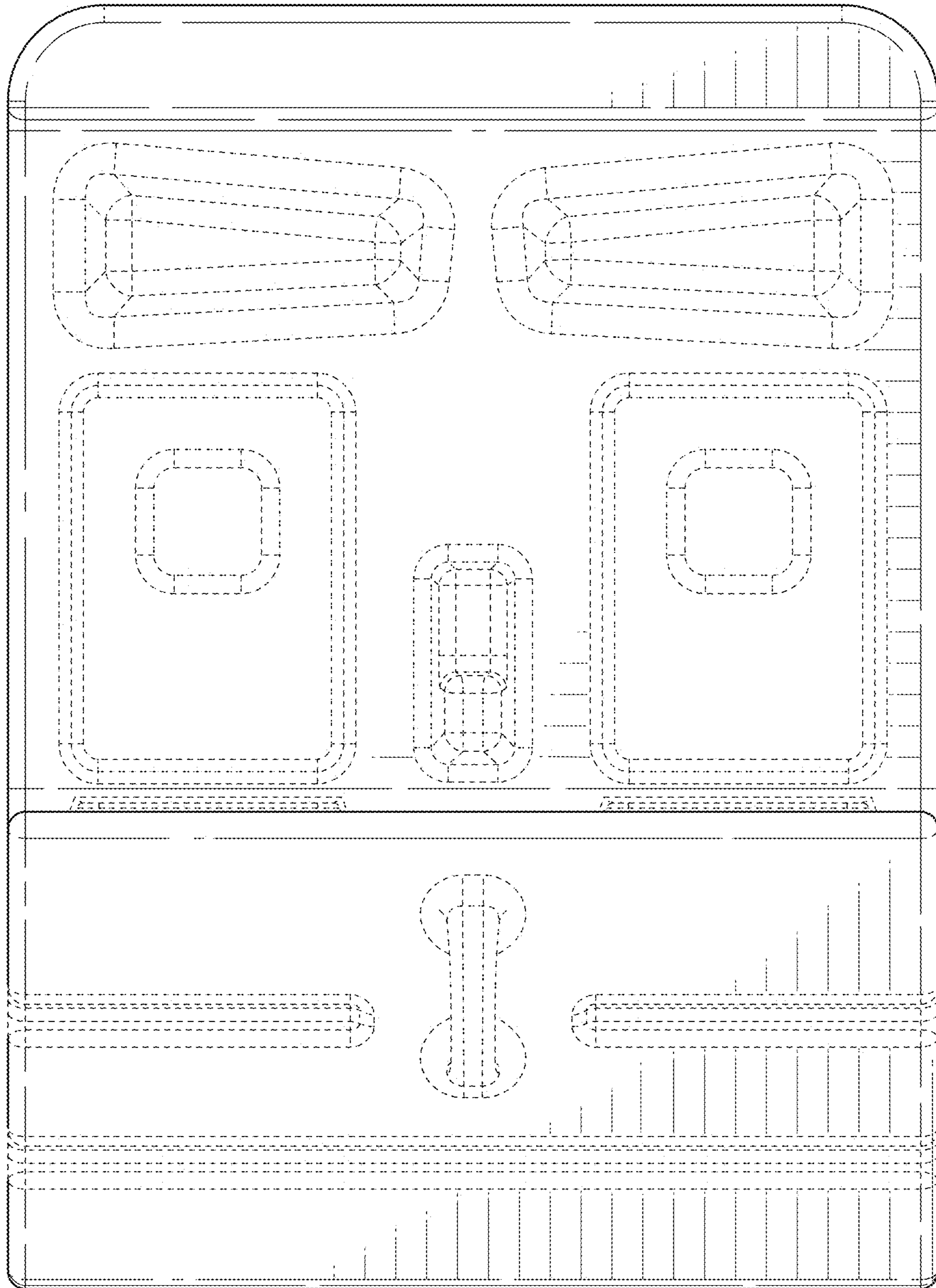


FIG. 6

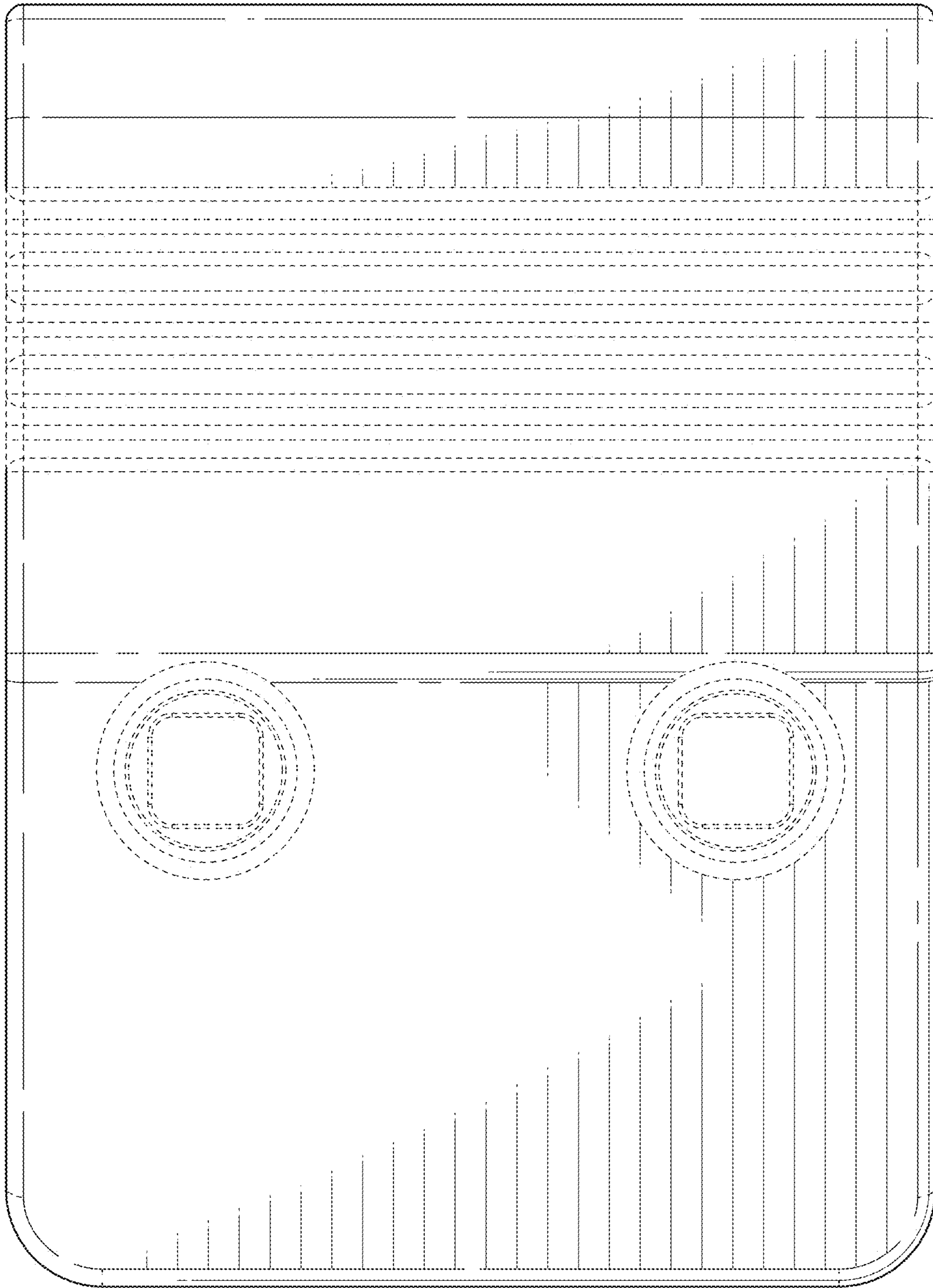


FIG. 7