

US00D928845S

(12) **United States Design Patent** (10) **Patent No.:** **US D928,845 S**  
**Sinico** (45) **Date of Patent:** **\*\* Aug. 24, 2021**

(54) **PUMP**  
(71) Applicant: **DAB PUMPS S.P.A.**, Mestrino (IT)  
(72) Inventor: **Francesco Sinico**, Montecchio Maggiore (IT)  
(73) Assignee: **DAB PUMPS S.P.A.**, Mestrino (IT)  
(\*\*) Term: **15 Years**

D658,072 S \* 4/2012 Davis ..... D9/689  
D663,746 S \* 7/2012 Kwon ..... D15/7  
D691,253 S \* 10/2013 Chen ..... D23/366  
D709,734 S \* 7/2014 Kotani ..... D7/608  
D725,966 S \* 4/2015 Boroski ..... D7/511  
D732,338 S \* 6/2015 Boroski ..... D7/507  
D742,699 S \* 11/2015 Boroski ..... D7/608  
D788,897 S \* 6/2017 Lee ..... D23/356  
D797,562 S \* 9/2017 McCormack ..... D9/529  
(Continued)

(21) Appl. No.: **29/721,958**  
(22) Filed: **Jan. 24, 2020**

FOREIGN PATENT DOCUMENTS  
JP D1522313 4/2015  
TW D100222 9/2004  
(Continued)

(30) **Foreign Application Priority Data**  
Jul. 25, 2019 (EM) ..... 006645438  
(51) **LOC (13) Cl.** ..... **15-02**  
(52) **U.S. Cl.**  
USPC ..... **D15/9**  
(58) **Field of Classification Search**  
USPC ..... D15/7-9; D23/225, 231, 232, 366, 356;  
D9/689, 529; D12/114  
CPC ..... F04B 53/14; F04B 53/92; F04B 33/00;  
F04B 33/005; F04B 1/005; F04B 39/102;  
F02M 37/04; F02M 37/14; F04D 13/06;  
F04D 29/22; F04D 29/046; F04D  
29/2266; E03F 5/22; F16K 11/048; F16K  
15/20; F16K 31/602; F16L 37/18; F16L  
37/20  
See application file for complete search history.

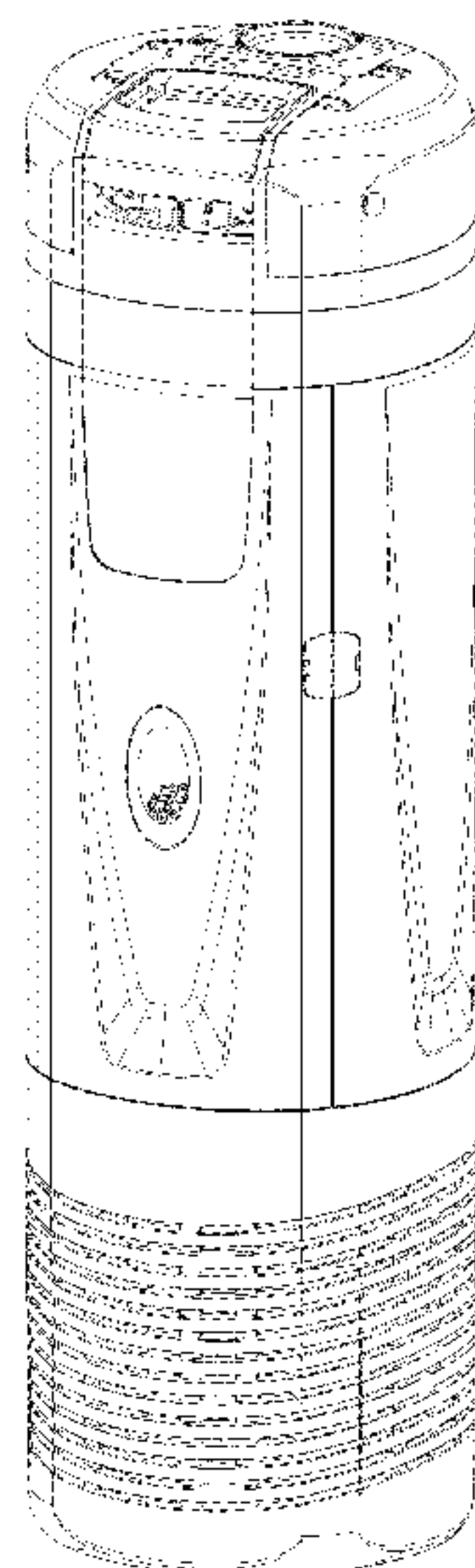
OTHER PUBLICATIONS  
TW Search Report dated Aug. 10, 2020 re: ROC (Taiwan) Design Patent Application No. 109300353, pp. 1.  
*Primary Examiner* — Sheryl Lane  
*Assistant Examiner* — Mark T. Philipps  
(74) *Attorney, Agent, or Firm* — Cantor Colburn LLP

(56) **References Cited**  
U.S. PATENT DOCUMENTS  
D289,858 S \* 5/1987 Duval ..... D23/366  
D399,213 S \* 10/1998 Sorensen ..... D15/7  
D537,721 S \* 3/2007 Kertels ..... D9/449  
D589,984 S \* 4/2009 Roesler ..... D15/7  
D622,547 S \* 8/2010 Carreno ..... D7/510  
D634,417 S \* 3/2011 Abbondanzio ..... D23/366  
D634,755 S \* 3/2011 Sanders ..... D15/7

(57) **CLAIM**  
I claim, the ornamental design for a pump, as shown and described.

**DESCRIPTION**  
FIG. 1 is a perspective view of a pump showing my new design;  
FIG. 2 is a front view thereof;  
FIG. 3 is a rear view thereof;  
FIG. 4 is a left side view thereof;  
FIG. 5 is a right side view thereof;  
FIG. 6 is a top view thereof; and,  
FIG. 7 is a bottom view thereof.  
The broken lines and the areas within them represent portions of the pump and form no part of the claimed design.

**1 Claim, 6 Drawing Sheets**



(56)

**References Cited**

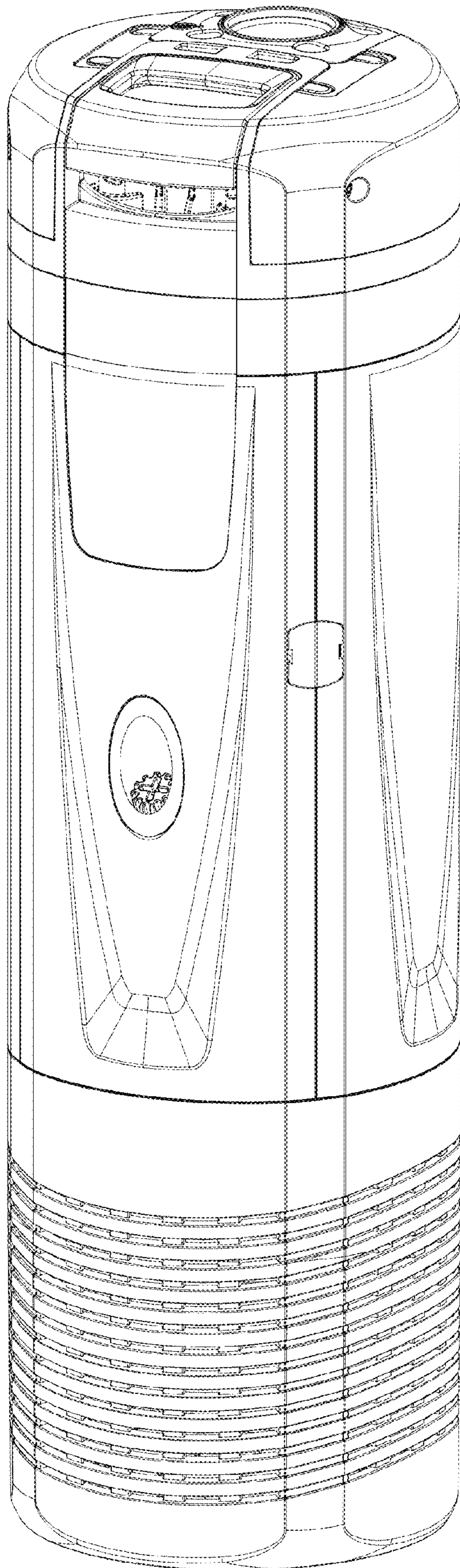
## U.S. PATENT DOCUMENTS

D800,787 S \* 10/2017 Lahav ..... D15/7  
D810,265 S \* 2/2018 Chen ..... D23/366  
D822,718 S 7/2018 Hartung  
D831,434 S \* 10/2018 Washburn ..... D7/608  
D832,414 S \* 10/2018 Sharma ..... D23/364  
D834,068 S 11/2018 Lee et al.  
D834,620 S \* 11/2018 Neir ..... F04B 35/04  
D15/7  
D835,766 S \* 12/2018 Chen ..... D23/364  
D865,006 S \* 10/2019 Mao ..... D15/7  
D867,630 S \* 11/2019 Benoit ..... D26/28  
D873,861 S \* 1/2020 Mao ..... D15/7  
D873,862 S \* 1/2020 Mao ..... D15/7  
D874,877 S \* 2/2020 Hu ..... D7/608  
D876,486 S \* 2/2020 Chen ..... D15/9  
D879,933 S \* 3/2020 Nanda ..... D23/366  
D882,638 S \* 4/2020 Zhang ..... D15/7  
D884,865 S \* 5/2020 Damon ..... D23/365  
D892,866 S \* 8/2020 Chen ..... D15/7  
2008/0247884 A1 \* 10/2008 Huang ..... F04B 33/005  
417/234  
2019/0210048 A1 \* 7/2019 Park ..... B05B 11/0038

## FOREIGN PATENT DOCUMENTS

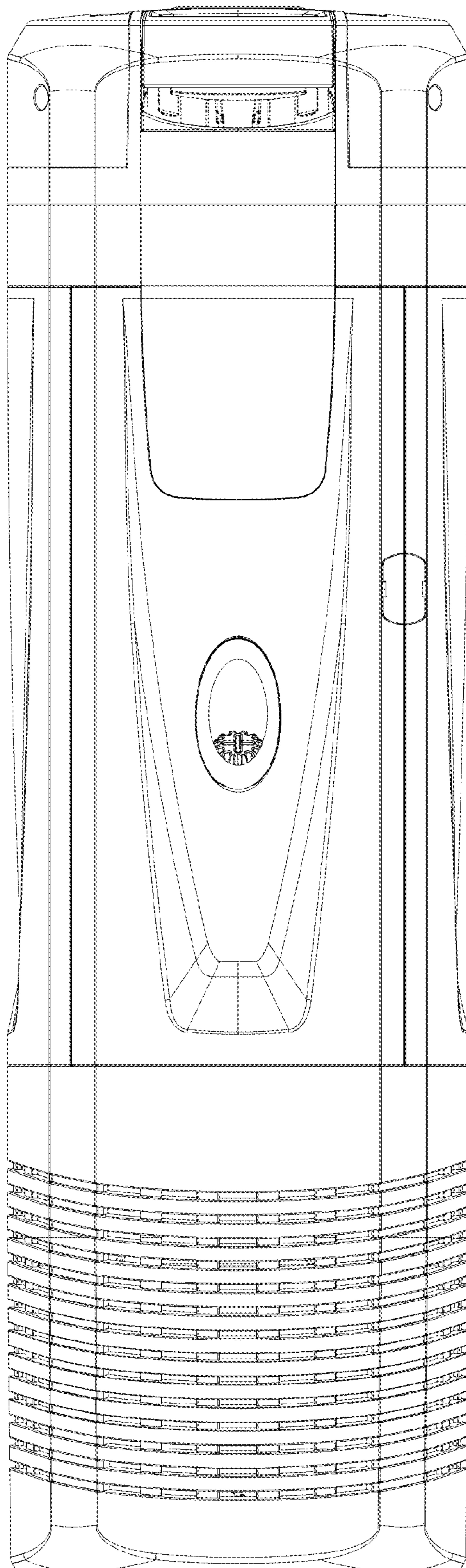
TW D142026 8/2011  
TW D194241 11/2018

\* cited by examiner

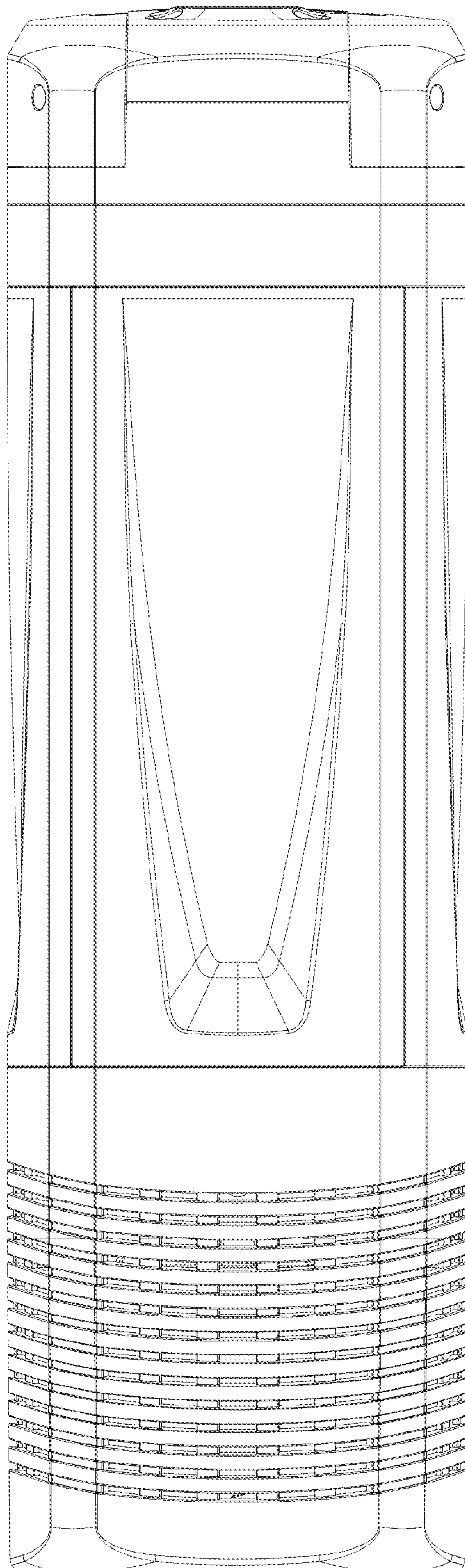


*Fig. 1*

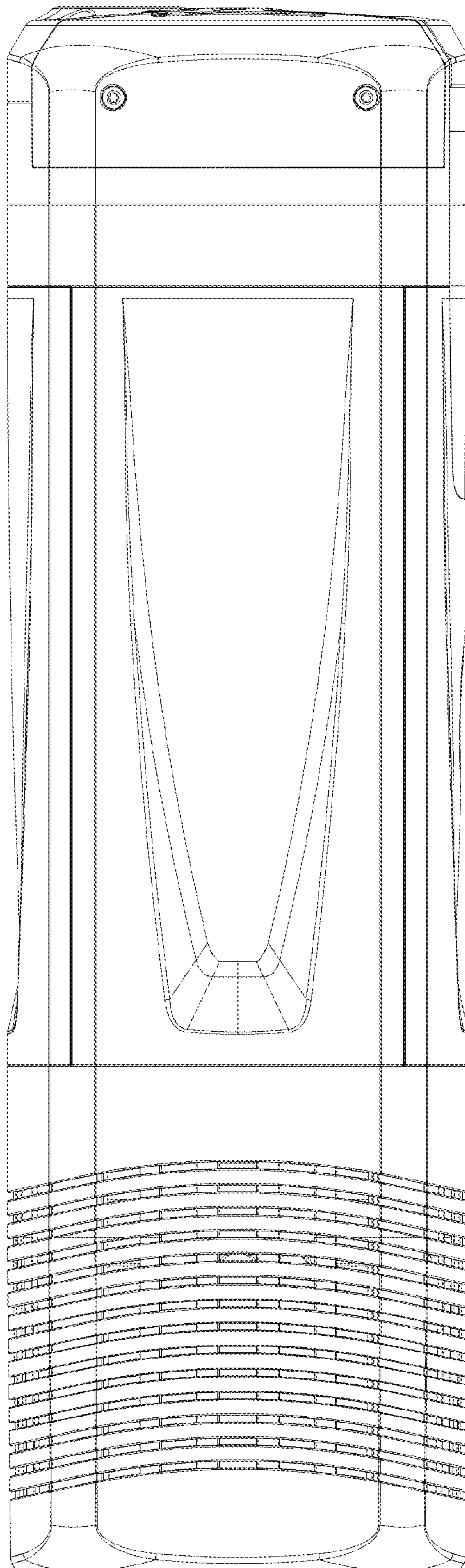




*Fig. 2*

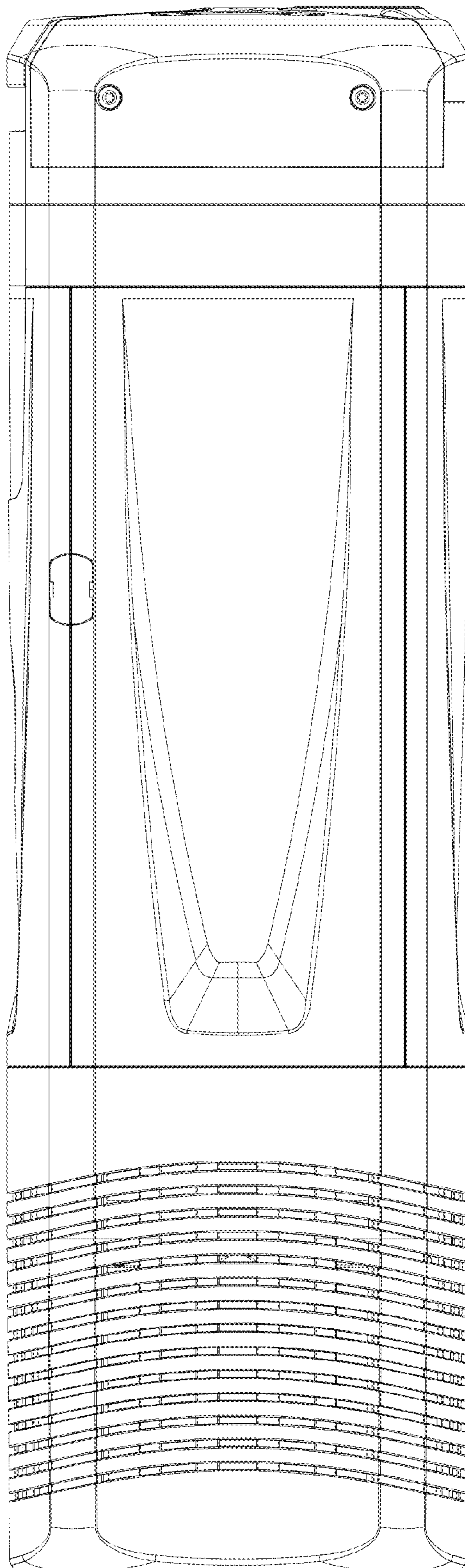


*Fig. 3*

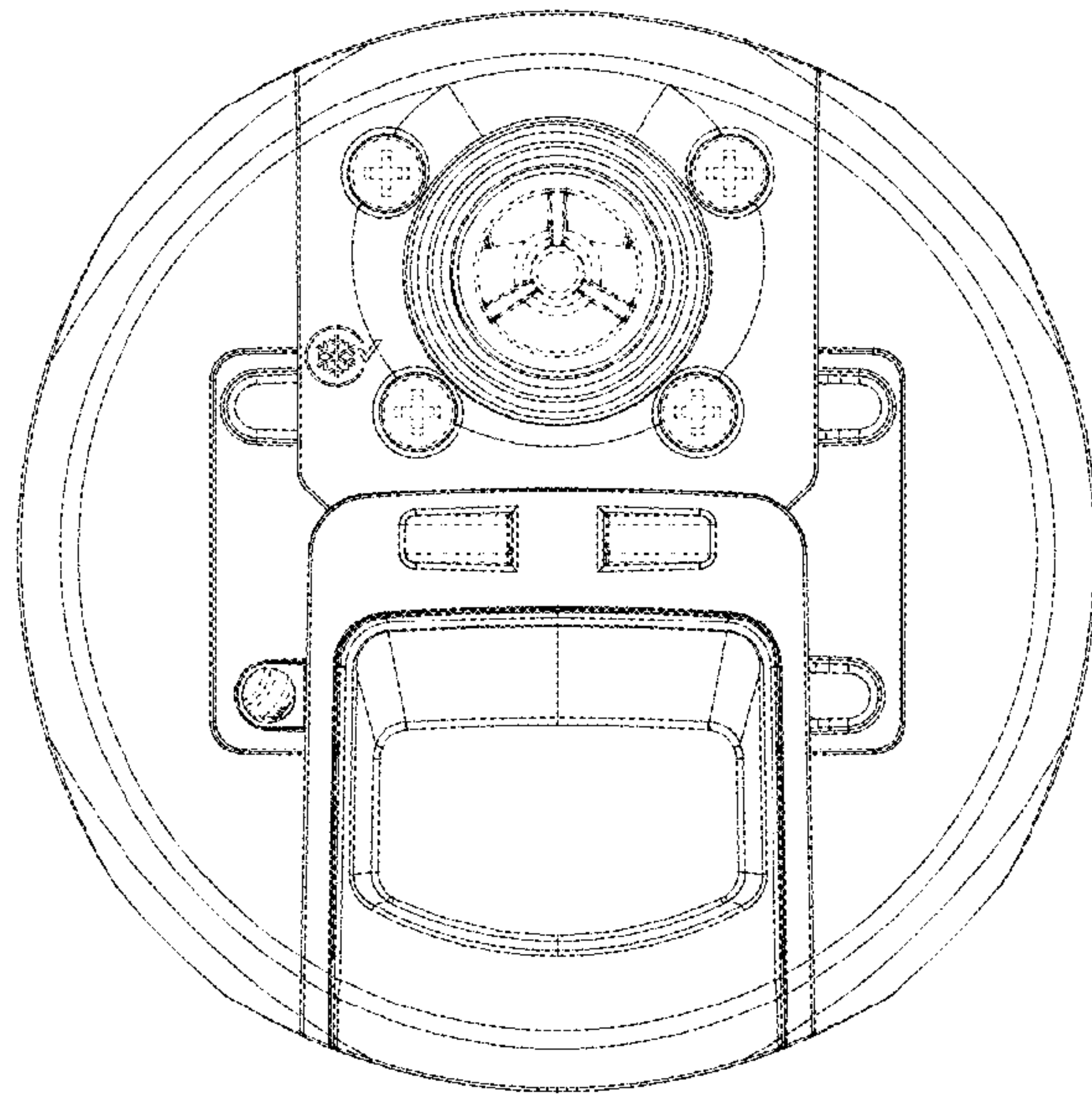


*Fig. 4*

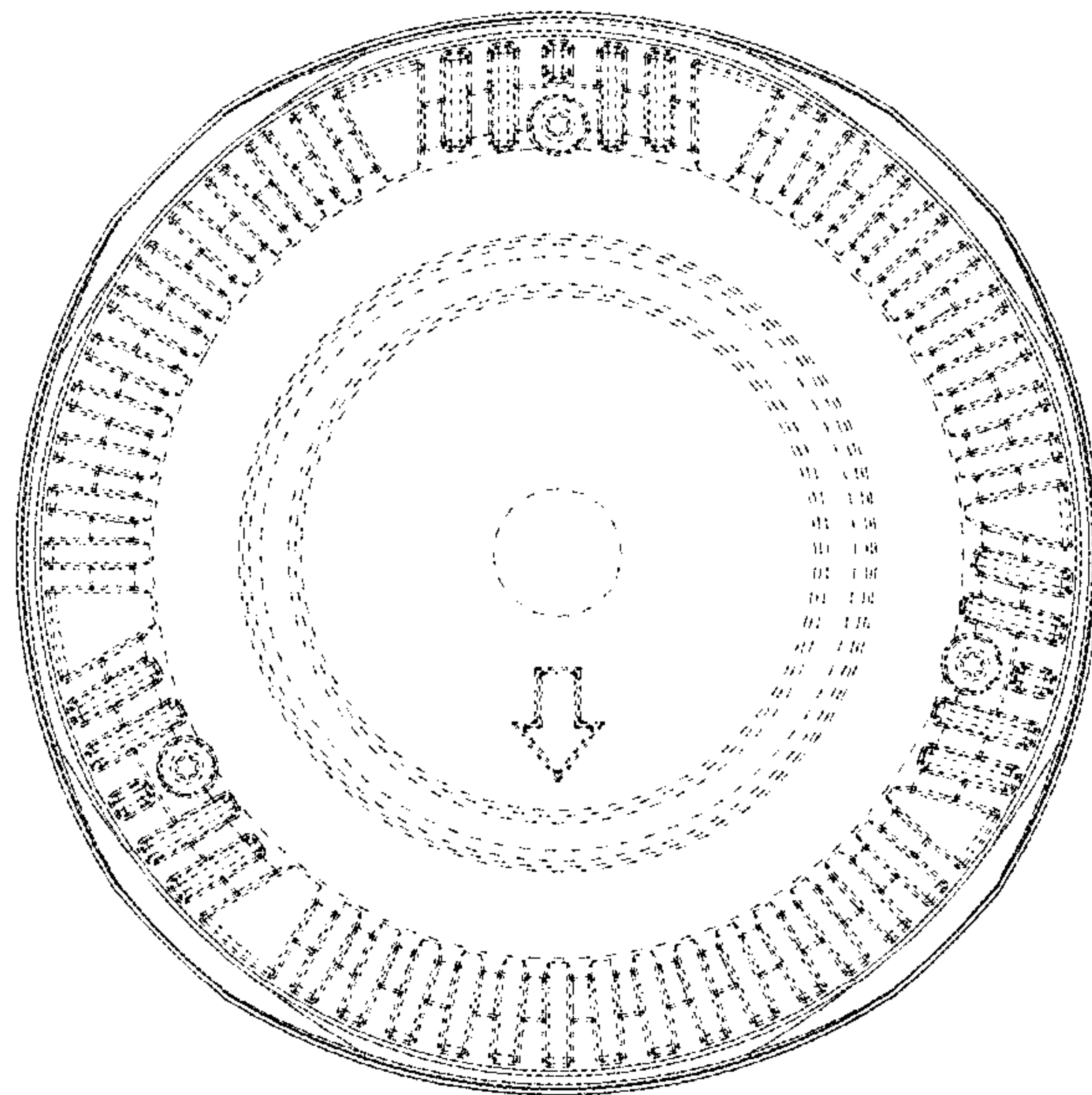




*Fig. 5*



*Fig. 6*



*Fig. 7*