



US00D928844S

(12) **United States Design Patent**
Zhang

(10) **Patent No.:** **US D928,844 S**

(45) **Date of Patent:** **** Aug. 24, 2021**

(54) **ELECTRIC PUMP**

(71) Applicant: **Huafeng Zhang**, Zhumadian (CN)

(72) Inventor: **Huafeng Zhang**, Zhumadian (CN)

(**) Term: **15 Years**

(21) Appl. No.: **29/760,829**

(22) Filed: **Dec. 4, 2020**

(51) **LOC (13) Cl.** **15-02**

(52) **U.S. Cl.**
USPC **D15/7**

(58) **Field of Classification Search**
USPC D15/7-9; D24/111; D13/107; D8/61,
D8/68; D22/104
CPC F04B 53/00; F04B 49/00; F04B 17/03;
F04B 35/06; F04B 33/005; F04B 17/06;
E03B 5/00; B25B 21/02; B60S 5/04;
B60S 5/046; F04D 25/0673
See application file for complete search history.

(56) **References Cited**

U.S. PATENT DOCUMENTS

D301,245 S *	5/1989	Hefling	D15/7
D339,143 S *	9/1993	Whitley, II	D15/7
D405,806 S *	2/1999	Poon	D15/7
D425,914 S *	5/2000	Tsai	D15/7
D453,342 S *	2/2002	Wu	D15/7
D453,524 S *	2/2002	Wu	D15/7
D479,722 S *	9/2003	Poon	D15/7
D486,159 S *	2/2004	Poon	D15/7
D487,899 S *	3/2004	Poon	D15/7
D491,196 S *	6/2004	Poon	D15/7
D499,114 S *	11/2004	Poon	D15/7
D553,646 S *	10/2007	Wu	D15/7
D559,269 S *	1/2008	Wu	D15/7
D594,880 S	6/2009	Austen et al.		
D663,755 S	7/2012	Schilter et al.		

8,832,961 B1 *	9/2014	Vandewater	F26B 19/005 34/270
D804,536 S *	12/2017	Bao	D15/7
D807,402 S *	1/2018	Flora	D15/7
D856,374 S	8/2019	Park		
D869,507 S *	12/2019	Huang	D15/7
D869,508 S *	12/2019	Huang	D15/7
D869,509 S *	12/2019	Huang	D15/7
D879,154 S *	3/2020	Huang	D15/7
D886,158 S *	6/2020	Zhang	D15/7
D904,461 S *	12/2020	Konantambigi	D15/7
2020/0305360 A1 *	10/2020	Lhoste-Clos	E01H 1/0809
2020/0378404 A1 *	12/2020	Fukunaga	F04D 19/002

FOREIGN PATENT DOCUMENTS

CN 305650335 * 3/2020

* cited by examiner

Primary Examiner — Sheryl Lane

Assistant Examiner — Mark T. Philipps

(74) *Attorney, Agent, or Firm* — Rumit Ranjit Kanakia

(57) **CLAIM**

I claim the ornamental design for an electric pump, as shown and described.

DESCRIPTION

FIG. 1 is a Perspective view of an electric pump showing my new design;

FIG. 2 is a Front view thereof;

FIG. 3 is a Back view thereof;

FIG. 4 is a Right-side view thereof;

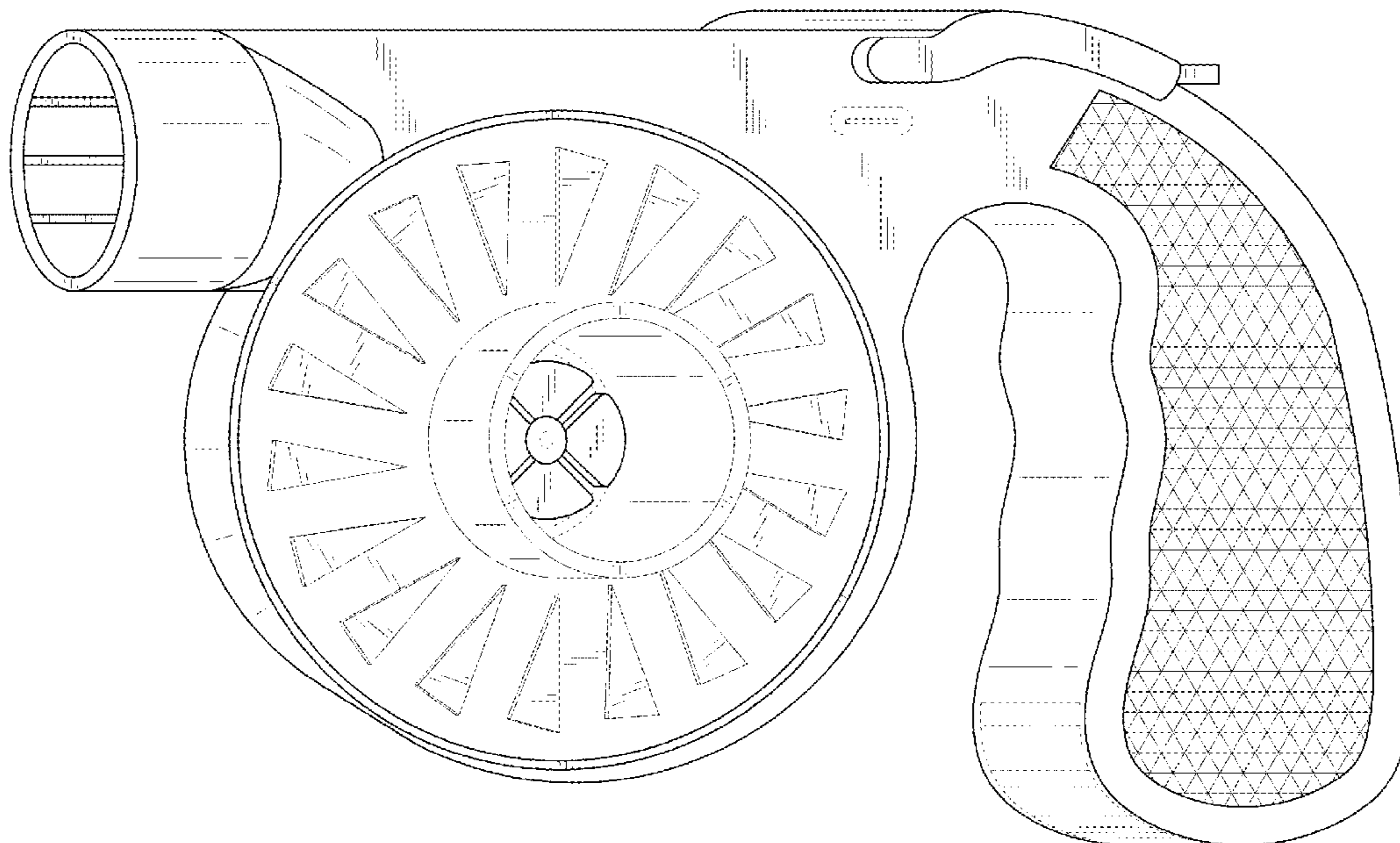
FIG. 5 is a Left-side view thereof;

FIG. 6 is a Top view thereof; and,

FIG. 7 is a Bottom view thereof.

In the drawings, the broken lines depict portions of the electric pump that form no part of the claimed design.

1 Claim, 7 Drawing Sheets



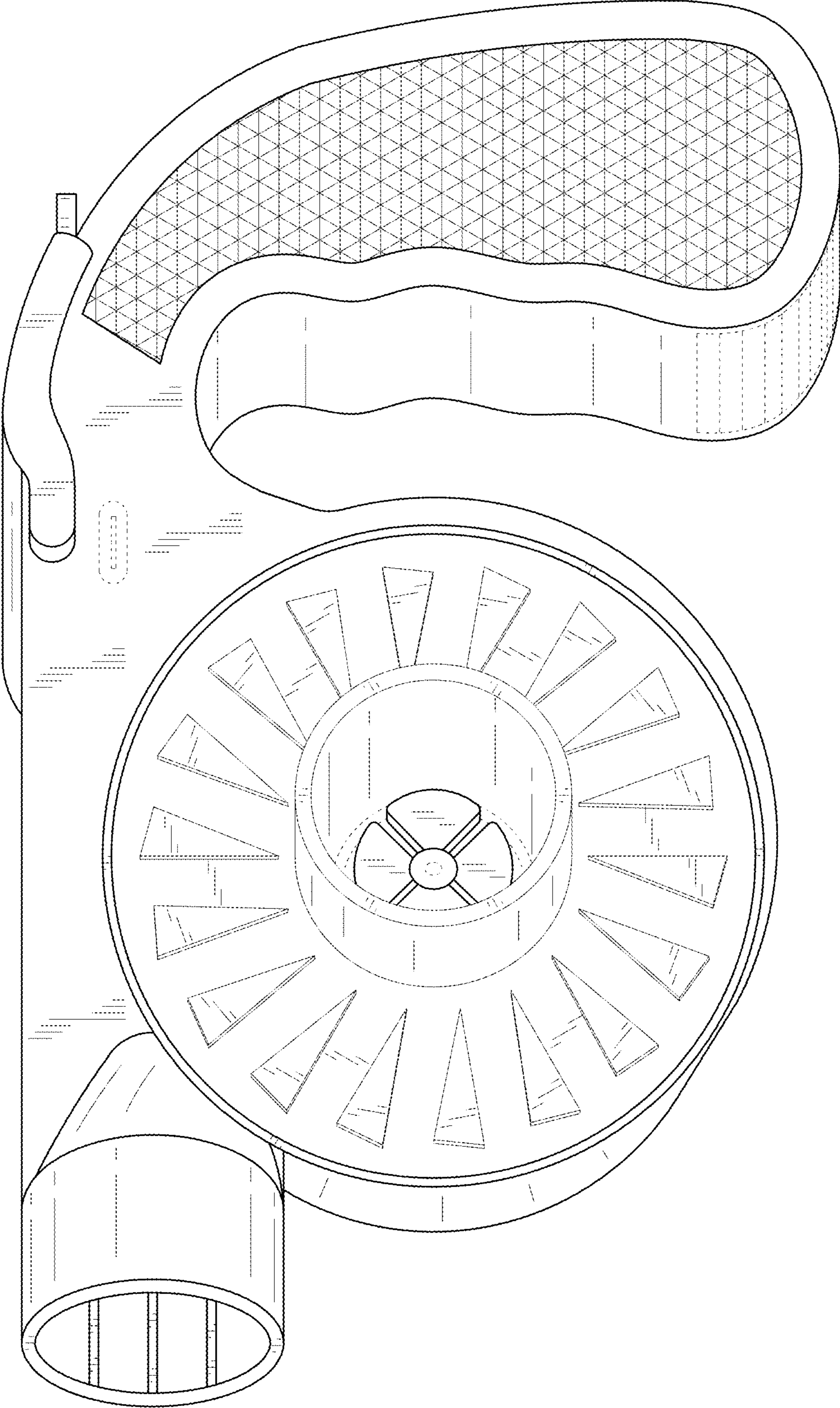


FIG. 1

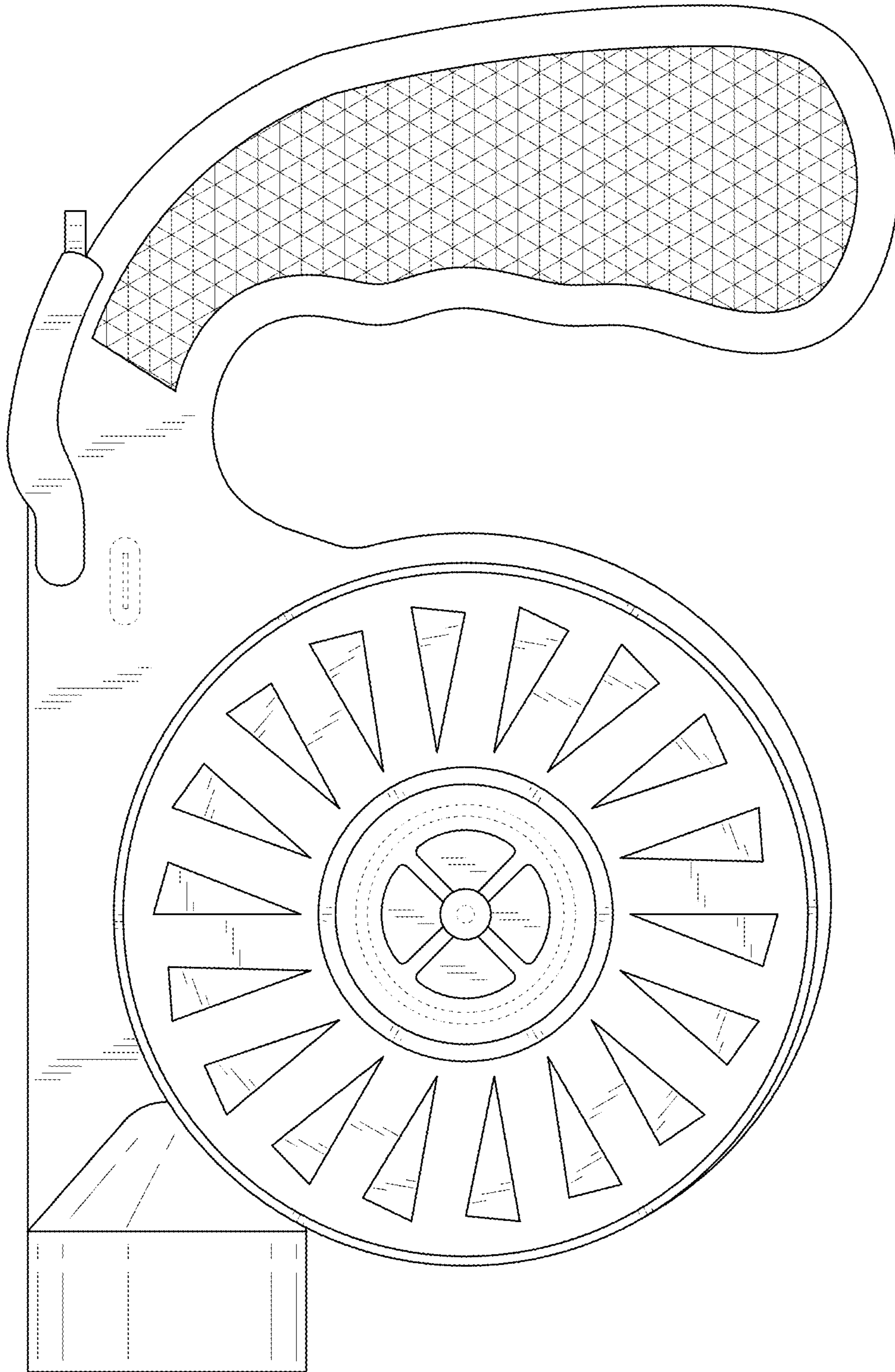


FIG. 2

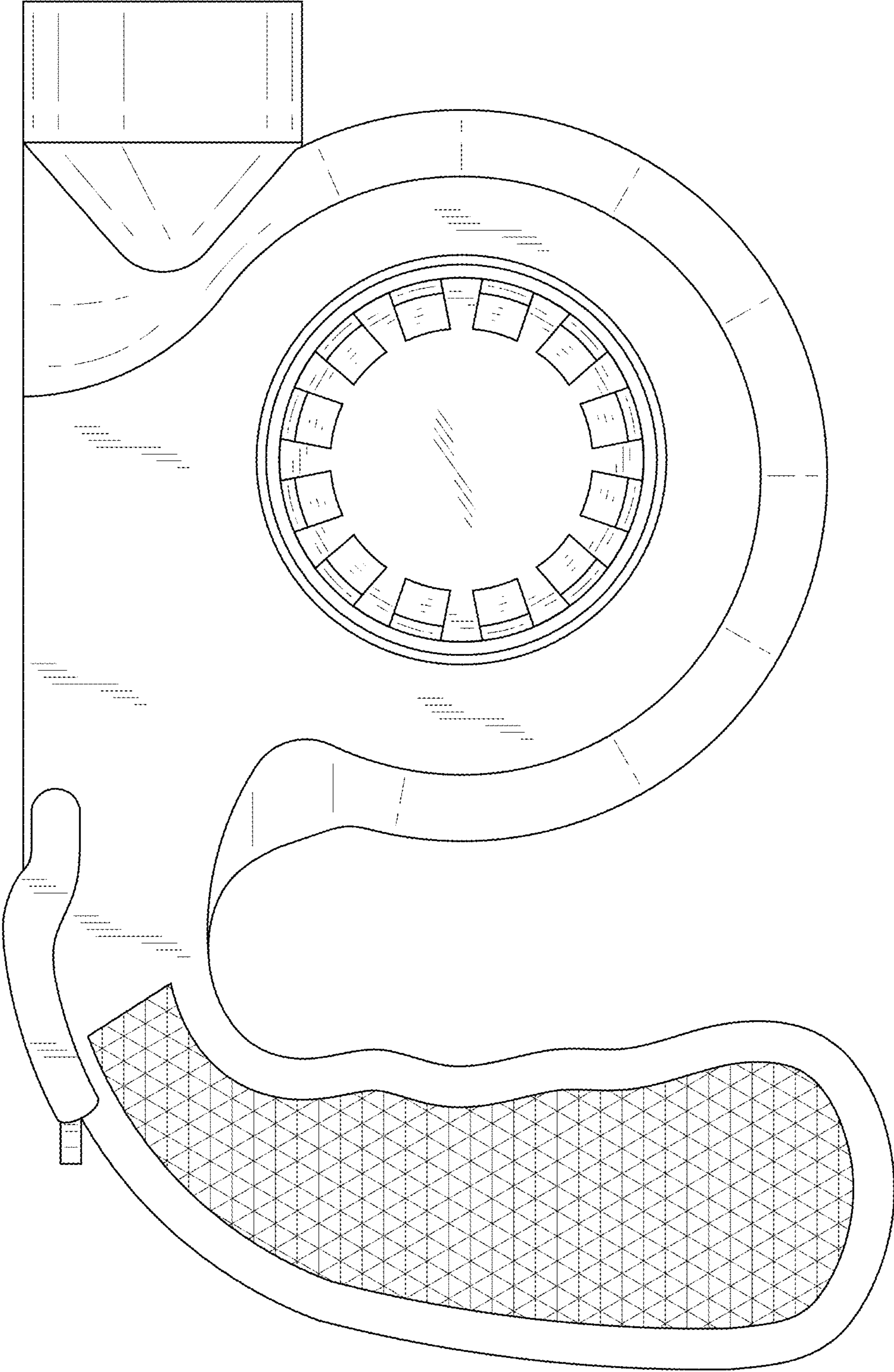


FIG. 3

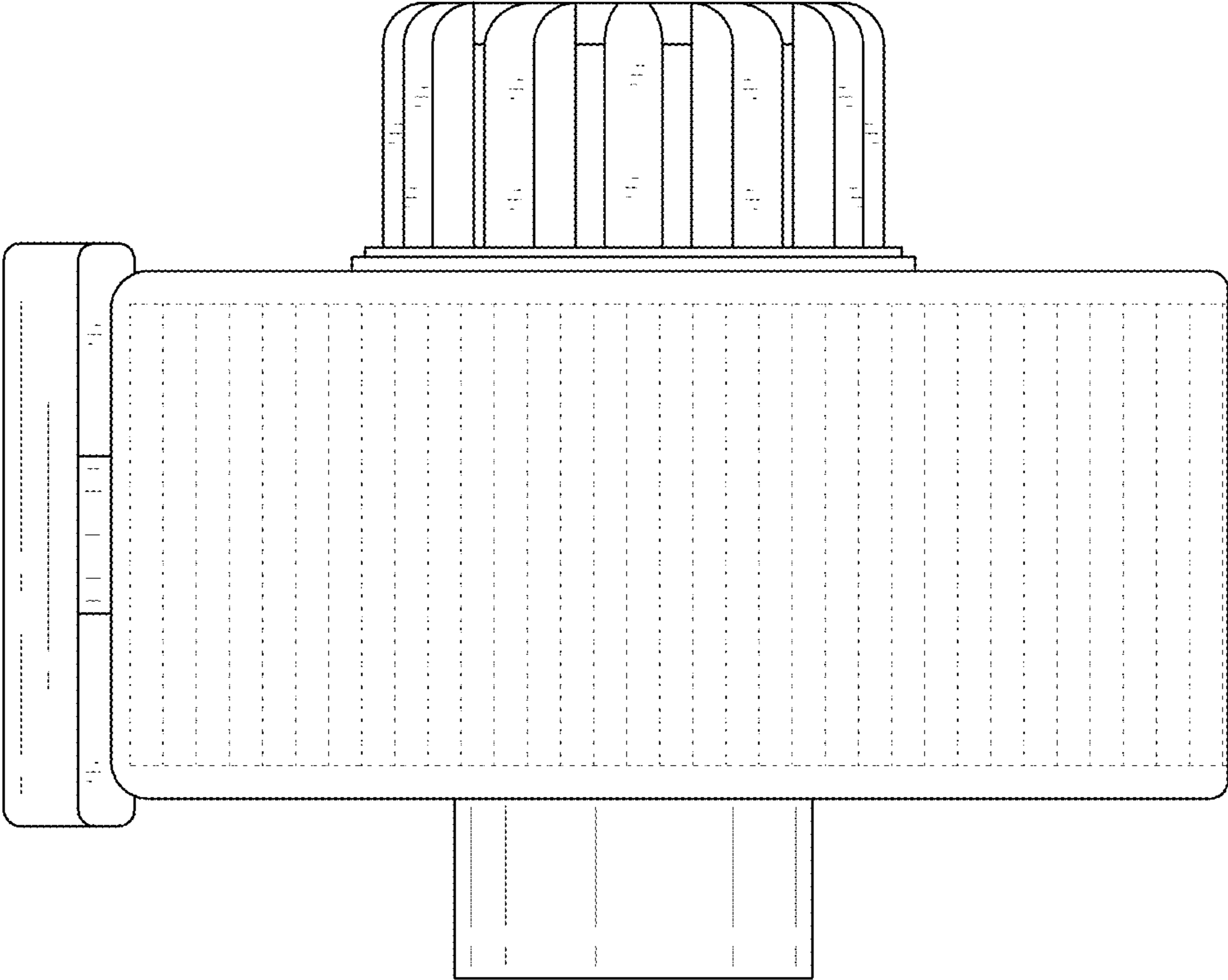


FIG. 4

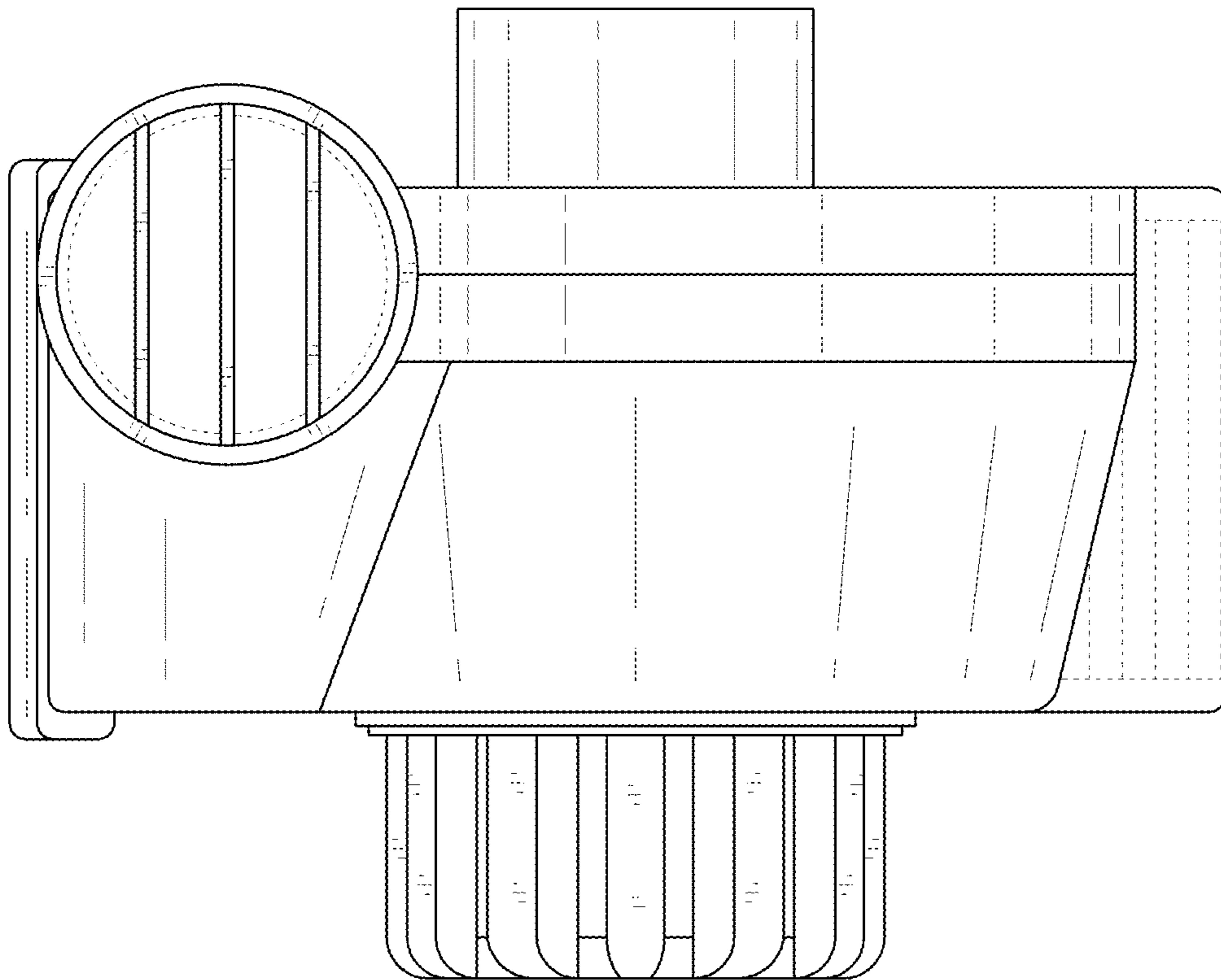


FIG. 5

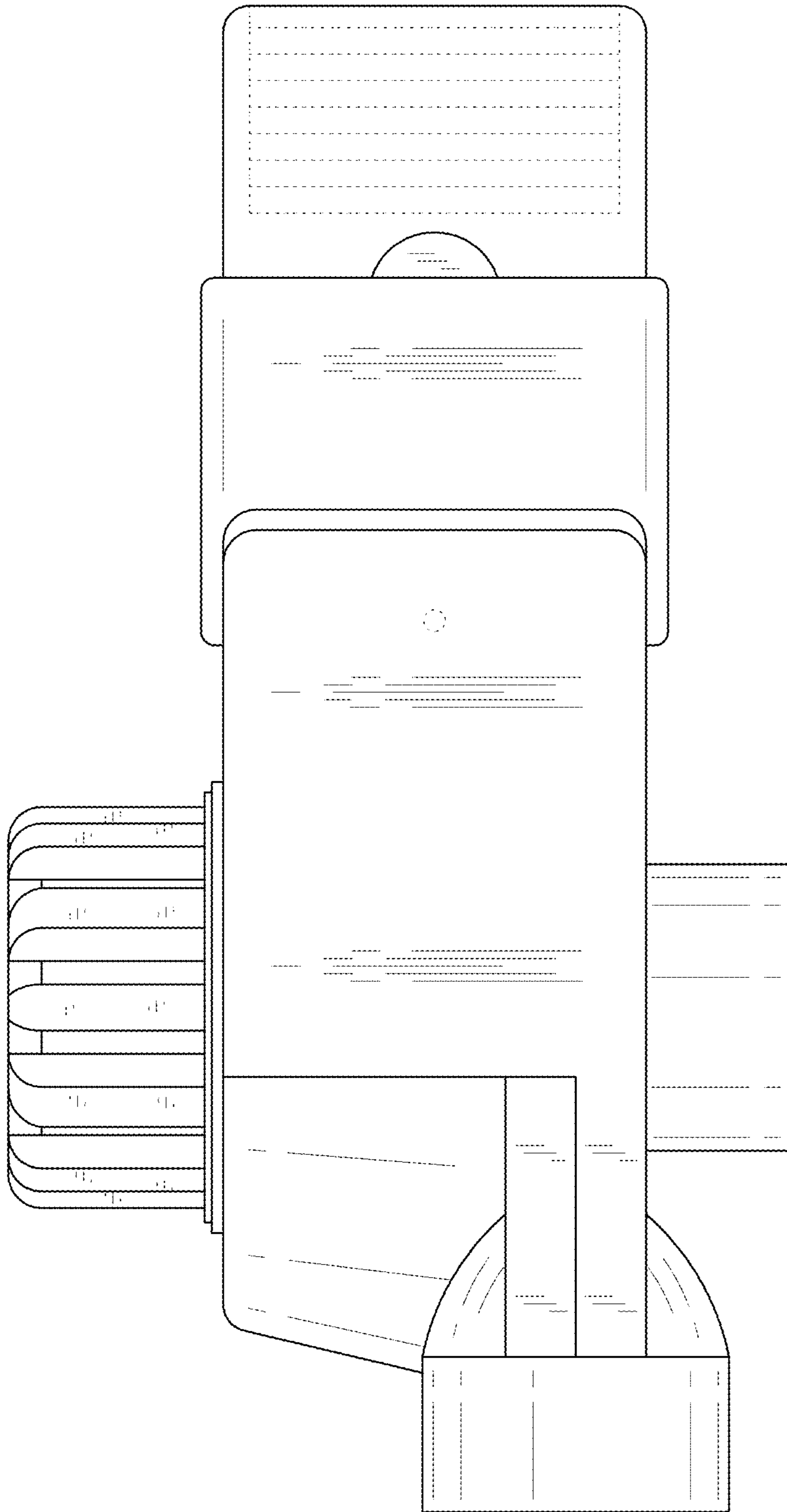


FIG. 6

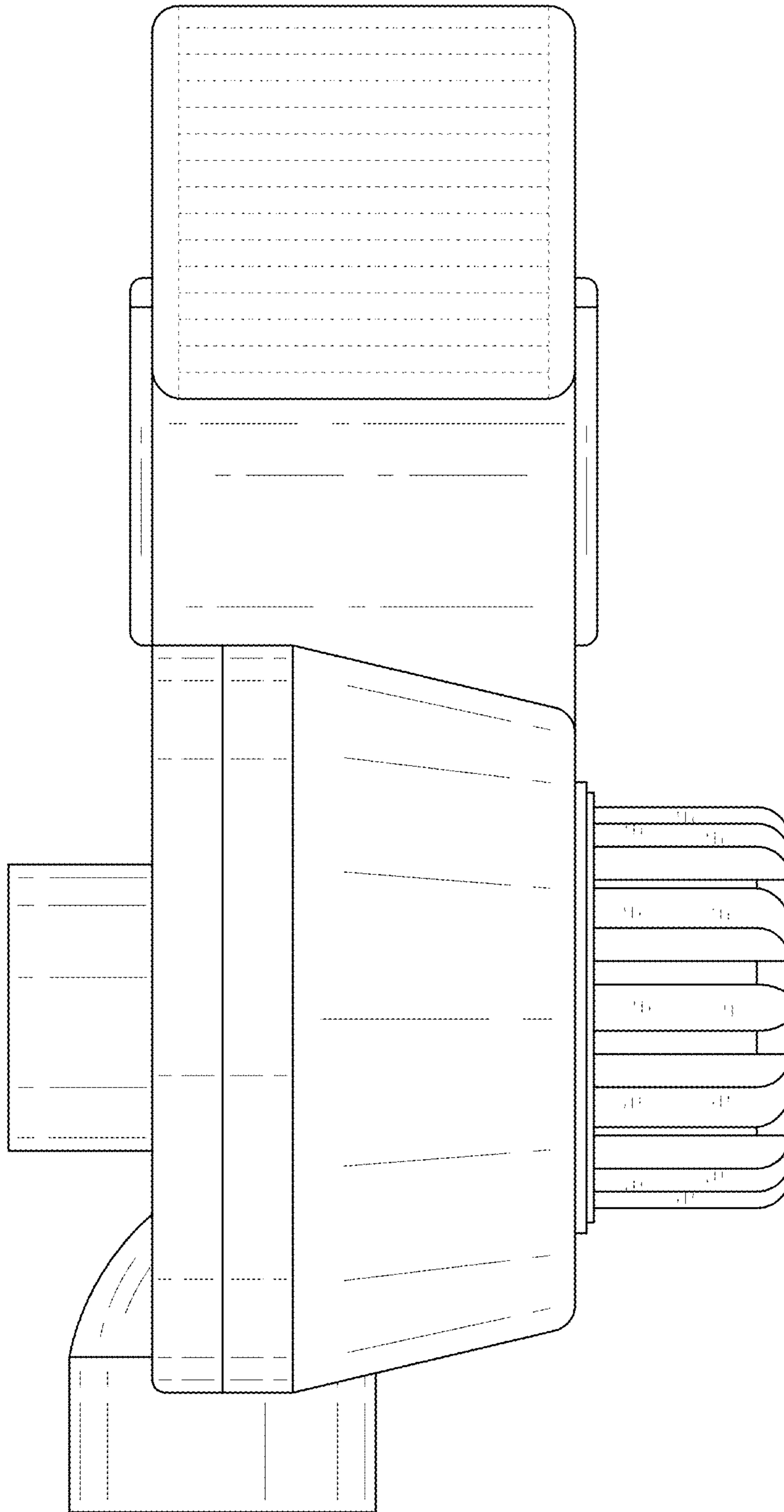


FIG. 7