



US00D928843S

(12) **United States Design Patent**  
**Kuratani et al.**

(10) **Patent No.:** **US D928,843 S**

(45) **Date of Patent:** **\*\* Aug. 24, 2021**

(54) **PUMP**

(71) Applicant: **NIDEC SANKYO CORPORATION,**  
Nagano (JP)

(72) Inventors: **Hiroki Kuratani,** Nagano (JP);  
**Makoto Hamawaki,** Nagano (JP)

(73) Assignee: **NIDEC SANKYO CORPORATION,**  
Nagano (JP)

(\*\*) Term: **15 Years**

(21) Appl. No.: **29/717,728**

(22) Filed: **Dec. 19, 2019**

(30) **Foreign Application Priority Data**

Jun. 20, 2019 (JP) ..... 2019-013589

(51) **LOC (13) Cl.** ..... **15-02**

(52) **U.S. Cl.**  
USPC ..... **D15/7**

(58) **Field of Classification Search**  
USPC ..... D23/225, 231, 232; D15/7-9  
CPC ..... F04D 13/06; F04D 29/041; F04D 29/22;  
F04D 29/60; F04D 29/605; F04B 17/03;  
F04B 17/046; F04B 17/048; F04B 35/04;  
F04B 43/04; F04B 43/043

See application file for complete search history.

(56) **References Cited**

**U.S. PATENT DOCUMENTS**

D196,206 S \* 9/1963 Mandy ..... D23/231  
D268,183 S \* 3/1983 Ohmann ..... D15/7  
D370,727 S \* 6/1996 Atkinson ..... D24/111  
D394,067 S \* 5/1998 Kon ..... D15/7  
D482,370 S \* 11/2003 Niwatsukino ..... D15/7  
D482,698 S \* 11/2003 Niwatsukino ..... D15/7  
D483,041 S \* 12/2003 Niwatsukino ..... D15/7  
D484,146 S \* 12/2003 Urano ..... D15/7

D492,325 S \* 6/2004 Niwatsukino ..... D15/7  
D520,023 S \* 5/2006 Goto ..... D15/7  
D520,024 S \* 5/2006 Chen ..... D15/7  
D534,548 S \* 1/2007 Urano ..... D15/7  
D539,817 S \* 4/2007 Reverberi ..... D15/5  
D604,329 S \* 11/2009 Matsuki ..... D15/7  
D604,331 S \* 11/2009 Tokunaga ..... D15/7  
D616,903 S \* 6/2010 Kimura ..... D15/7  
D618,705 S \* 6/2010 Sadachika ..... D15/7  
D633,925 S \* 3/2011 Sadachika ..... D15/7

(Continued)

**OTHER PUBLICATIONS**

Unique Bargins, DB-2 Right Outlet Micropump Pump Motor DC 8-18V f Water Dispenser, (site visited Dec. 16, 2020), Walmart.com, URL:<<https://www.walmart.com/ip/DB-2-Right-Outlet-Micropump-Pump-Motor-DC-8-18V-f-Water-Dispenser/164896789>> (Year: 2020).\*

(Continued)

*Primary Examiner* — Sheryl Lane  
*Assistant Examiner* — Mark T. Philipps  
(74) *Attorney, Agent, or Firm* — JCIPRNET

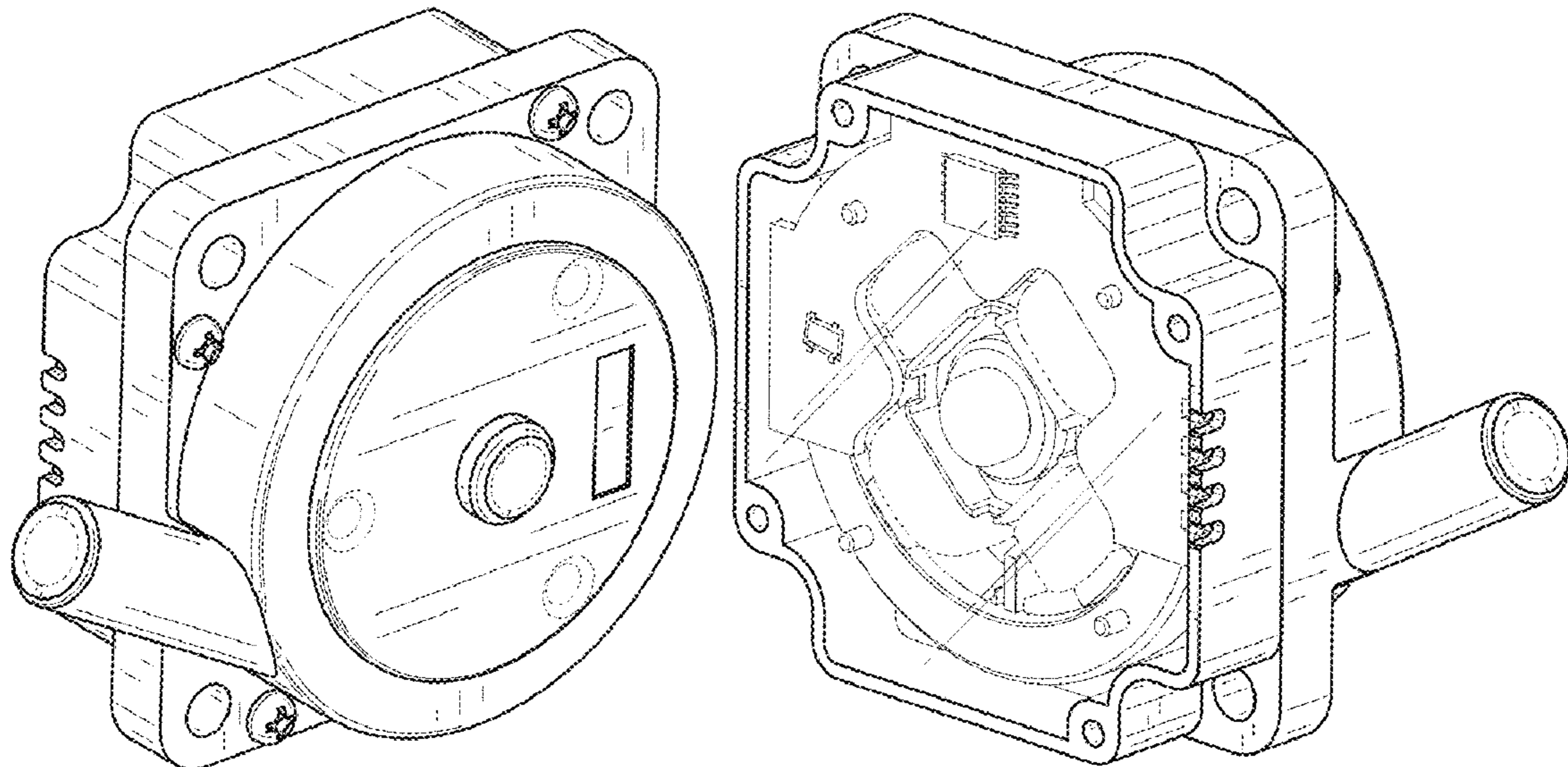
(57) **CLAIM**

The ornamental design for a pump, as shown.

**DESCRIPTION**

FIG. 1 is a perspective view of a pump showing our new design;  
FIG. 2 is another perspective view thereof;  
FIG. 3 is still another perspective view thereof;  
FIG. 4 is a front view thereof;  
FIG. 5 is a rear view thereof;  
FIG. 6 is a left side view thereof;  
FIG. 7 is a right side view thereof;  
FIG. 8 is a top view thereof; and,  
FIG. 9 is a bottom view thereof.  
The broken lines illustrate portions of the article that form no part of the claimed design.

**1 Claim, 5 Drawing Sheets**



(56)

**References Cited**

## U.S. PATENT DOCUMENTS

8,203,242 B2 \* 6/2012 Ihle ..... H02K 1/148  
310/71  
D722,328 S \* 2/2015 Sarder ..... D15/7  
D765,145 S \* 8/2016 Takeda ..... D15/7  
D778,323 S \* 2/2017 Hashimoto ..... D15/7  
D818,504 S \* 5/2018 Takeda ..... D15/7  
D838,749 S \* 1/2019 Gan ..... D15/7  
10,495,093 B2 \* 12/2019 Luo ..... F04D 29/0473  
2019/0249673 A1 \* 8/2019 Otsuki ..... F04D 25/0646

## OTHER PUBLICATIONS

Jackson, 4320-004-10-39 Chemical Pump W/ Squeeze Tube, (site visited Dec. 16, 2020), Webstaurant Store, URL:<<https://www.webstaurantstore.com/jackson-4320-004-10-39-chemical-pump-w-squeeze-tube/490432000410>> (Year: 2020).\*

Vovyo Pump, CPU Water Cooling Pump VP60R, (site visited Dec. 16, 2020), Vovyo Pump Website, URL:<<https://www.vovyopump.com/quiet-water-pump/>> (Year: 2020).\*

“Office Action of China Counterpart Application”, with English translation thereof, dated Apr. 26, 2020, p. 1-p. 4.

\* cited by examiner

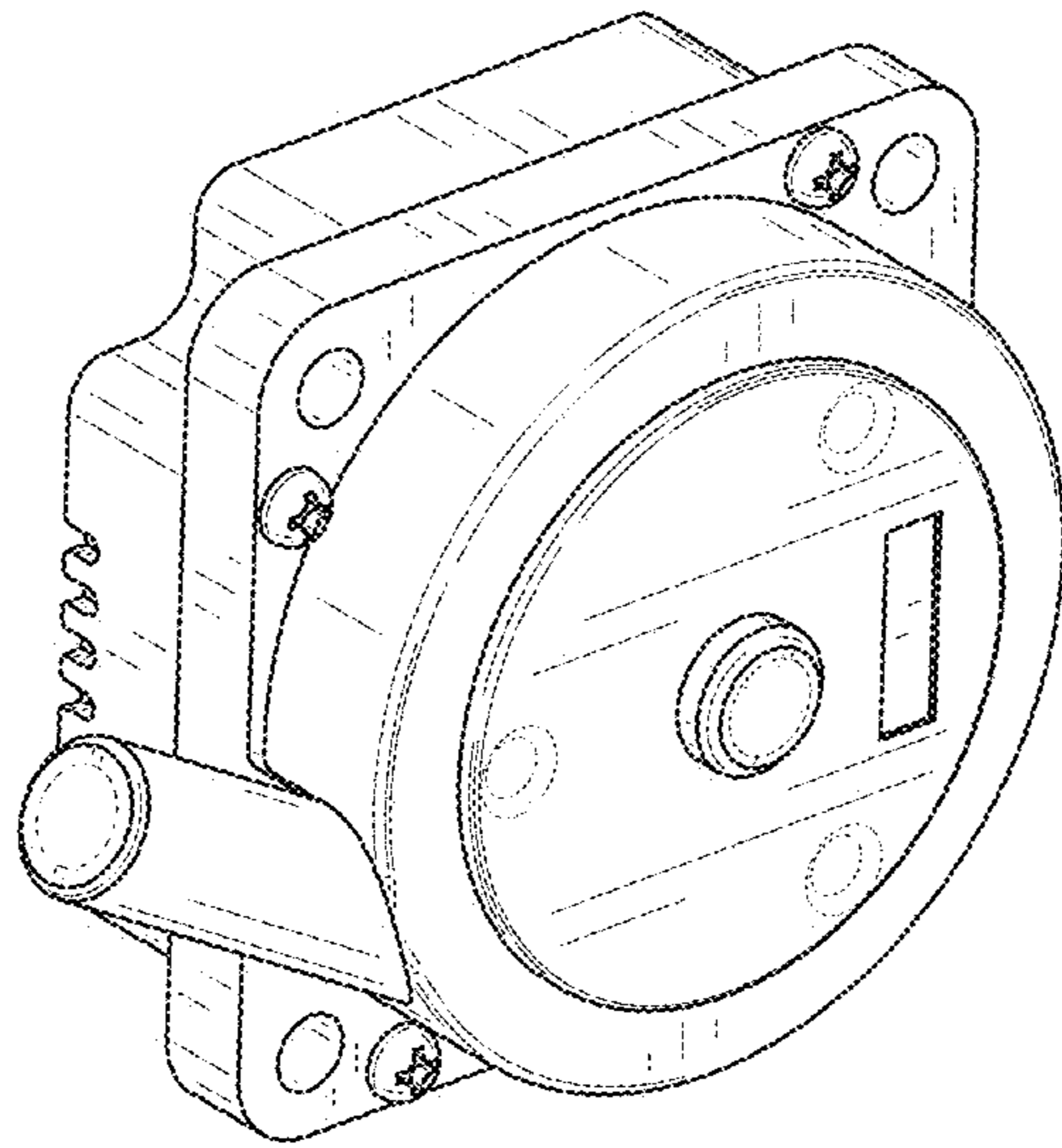


FIG. 1

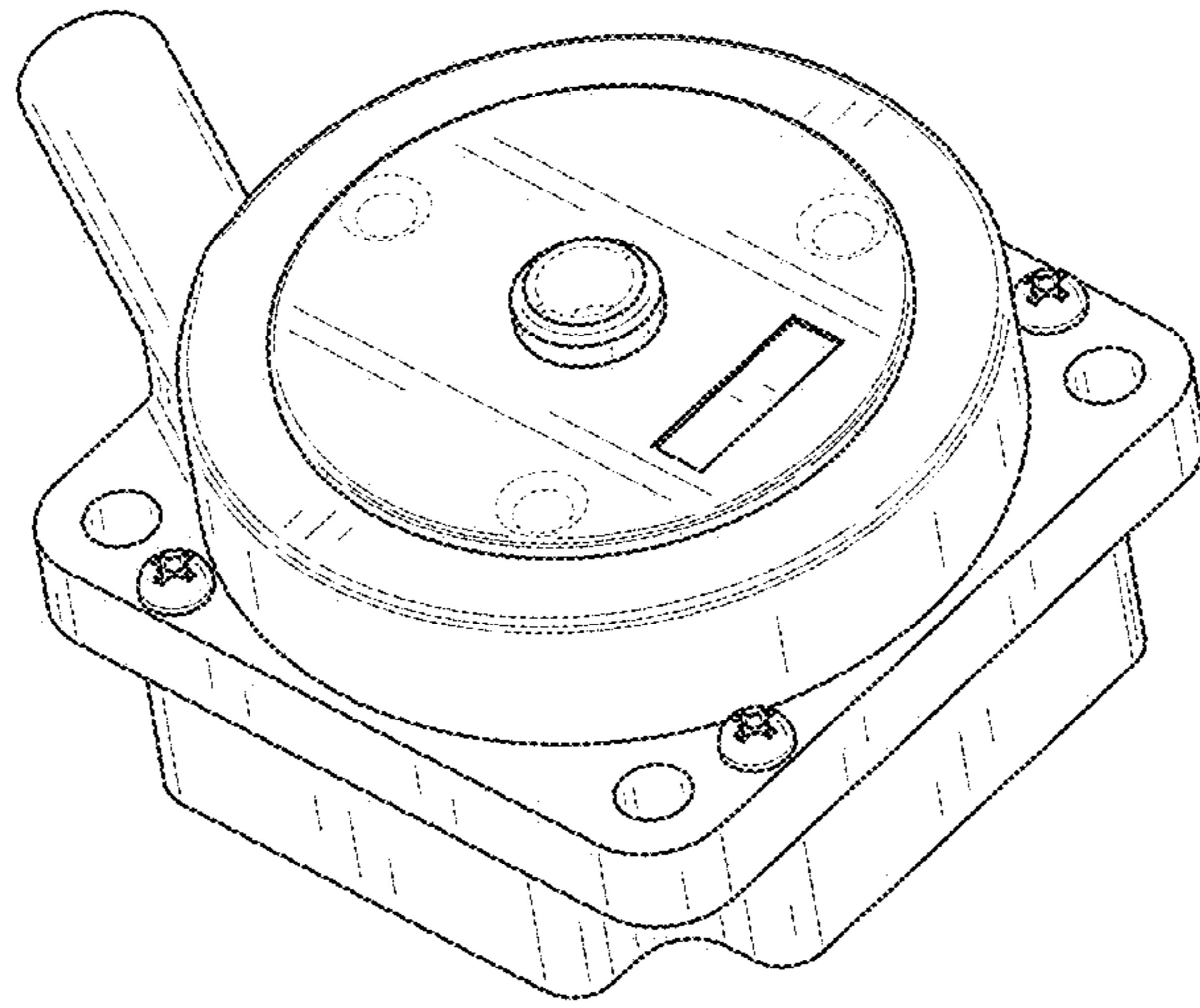


FIG. 2

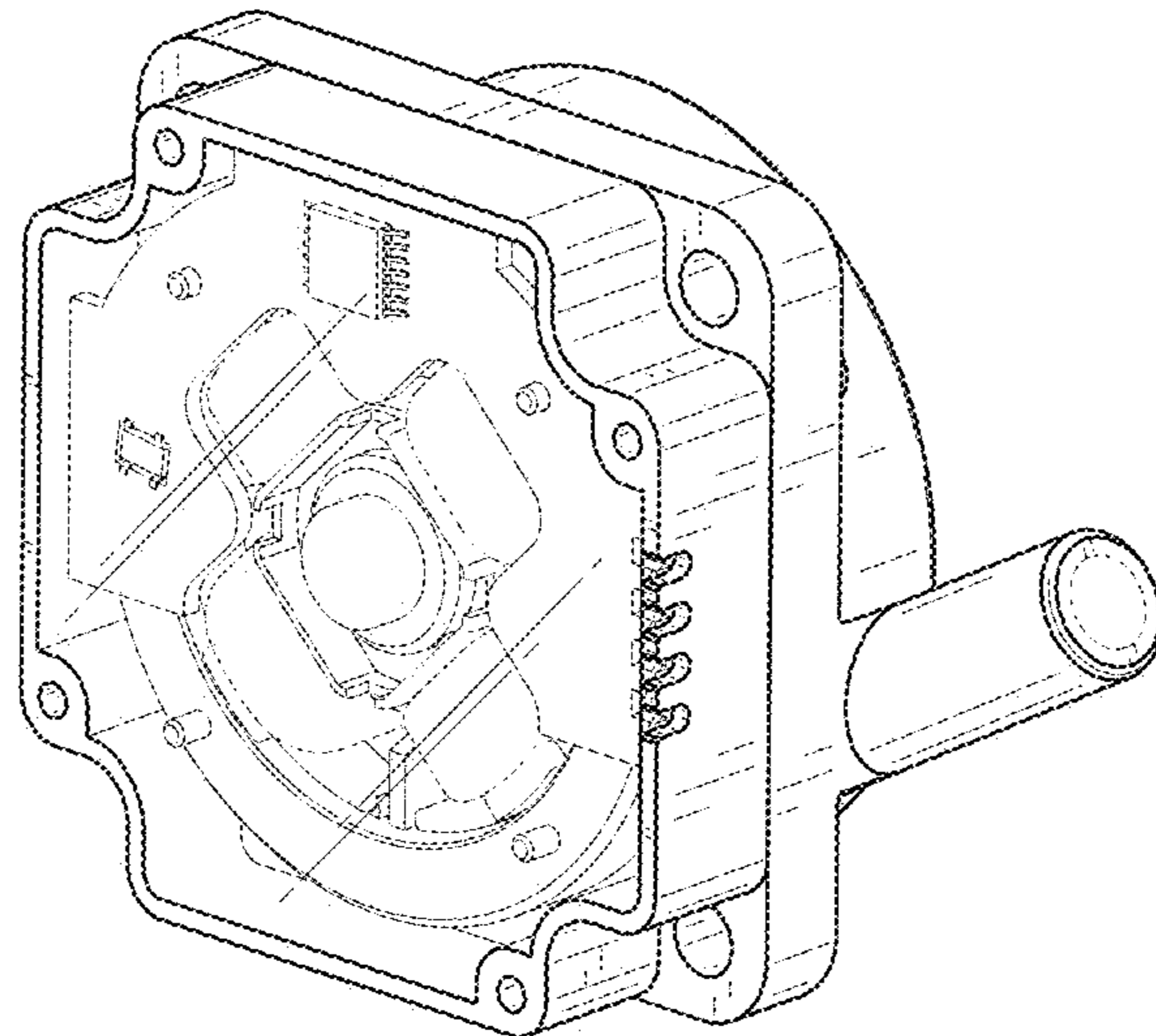


FIG. 3



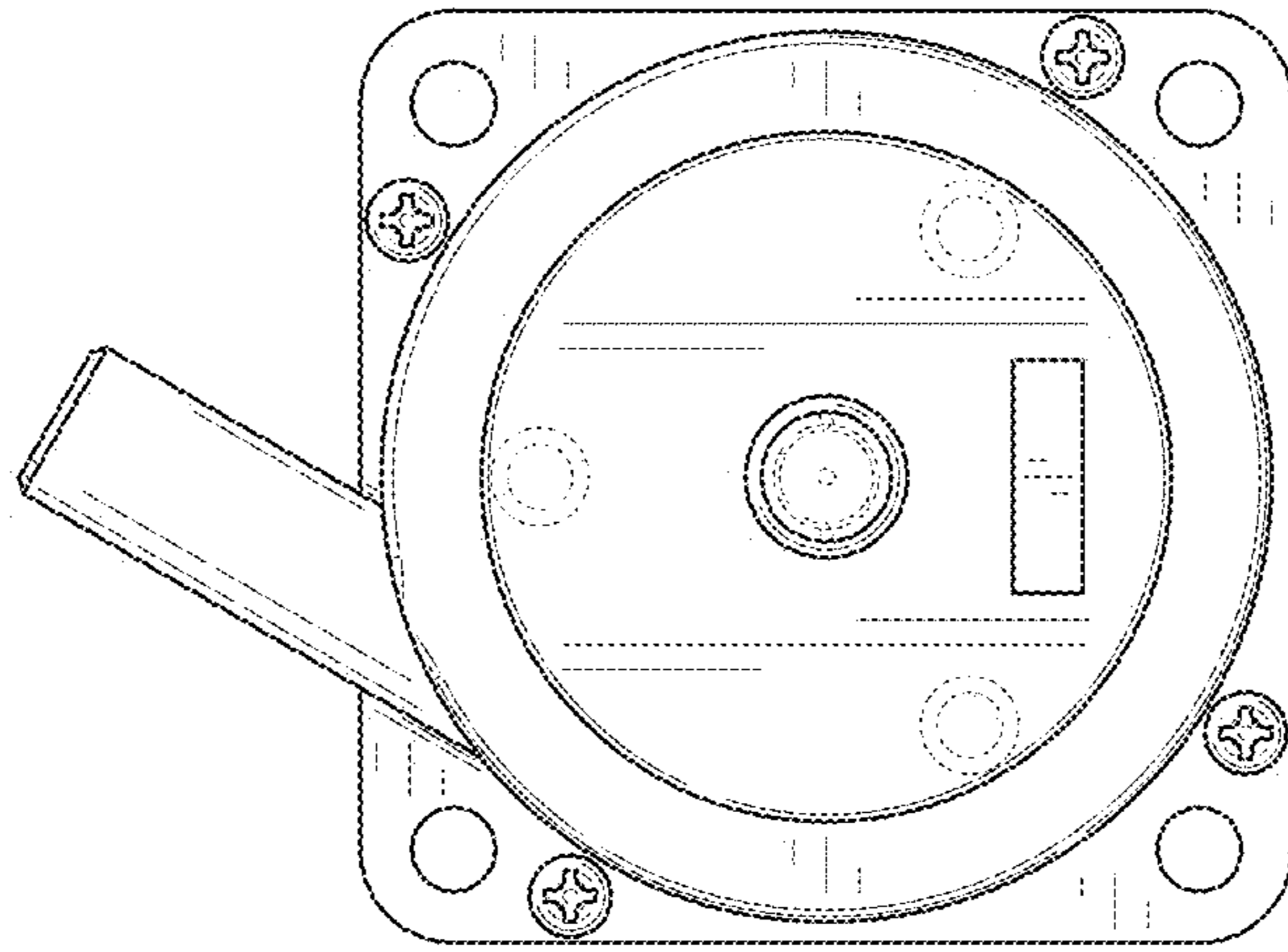


FIG. 4

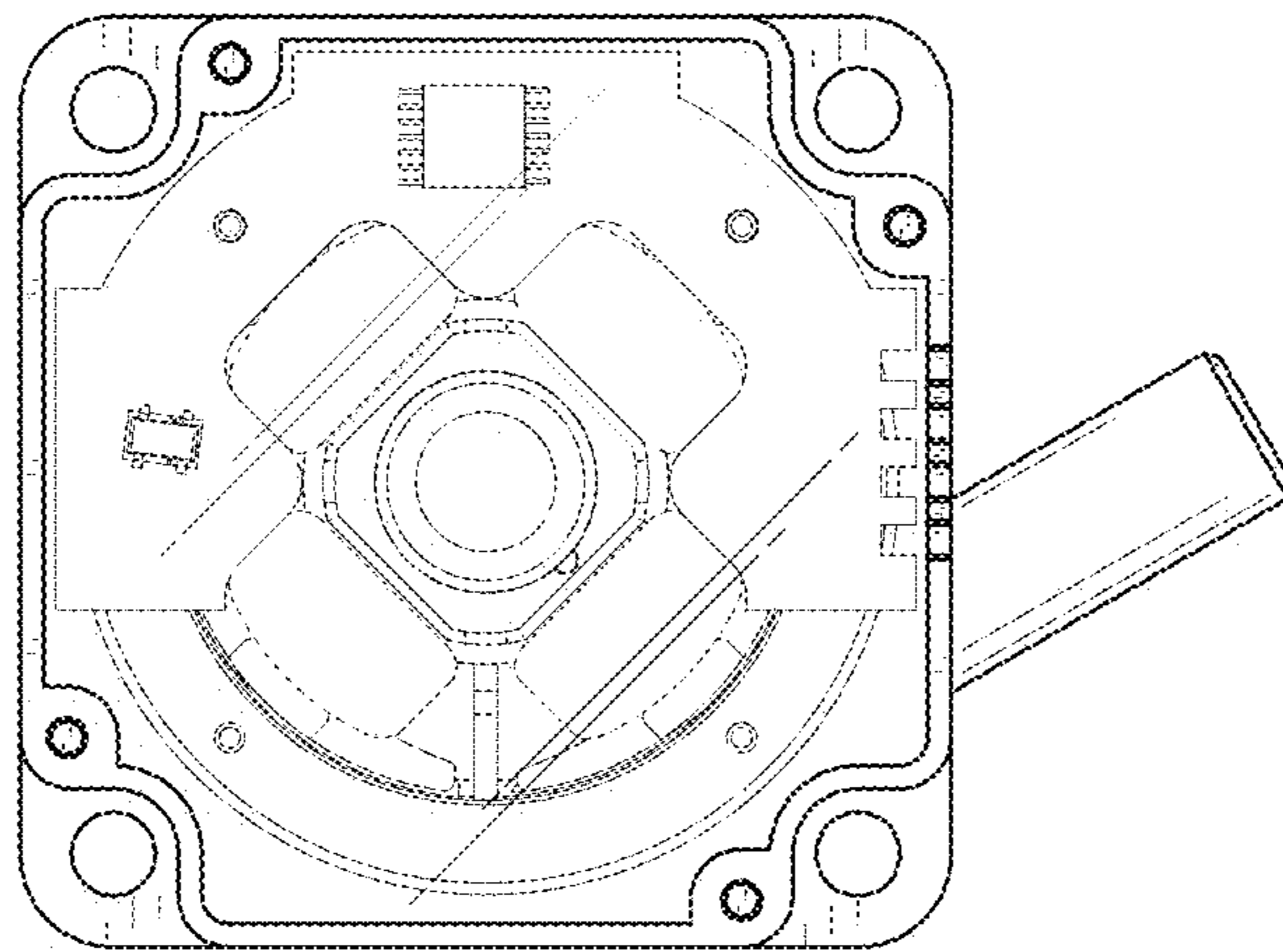


FIG. 5

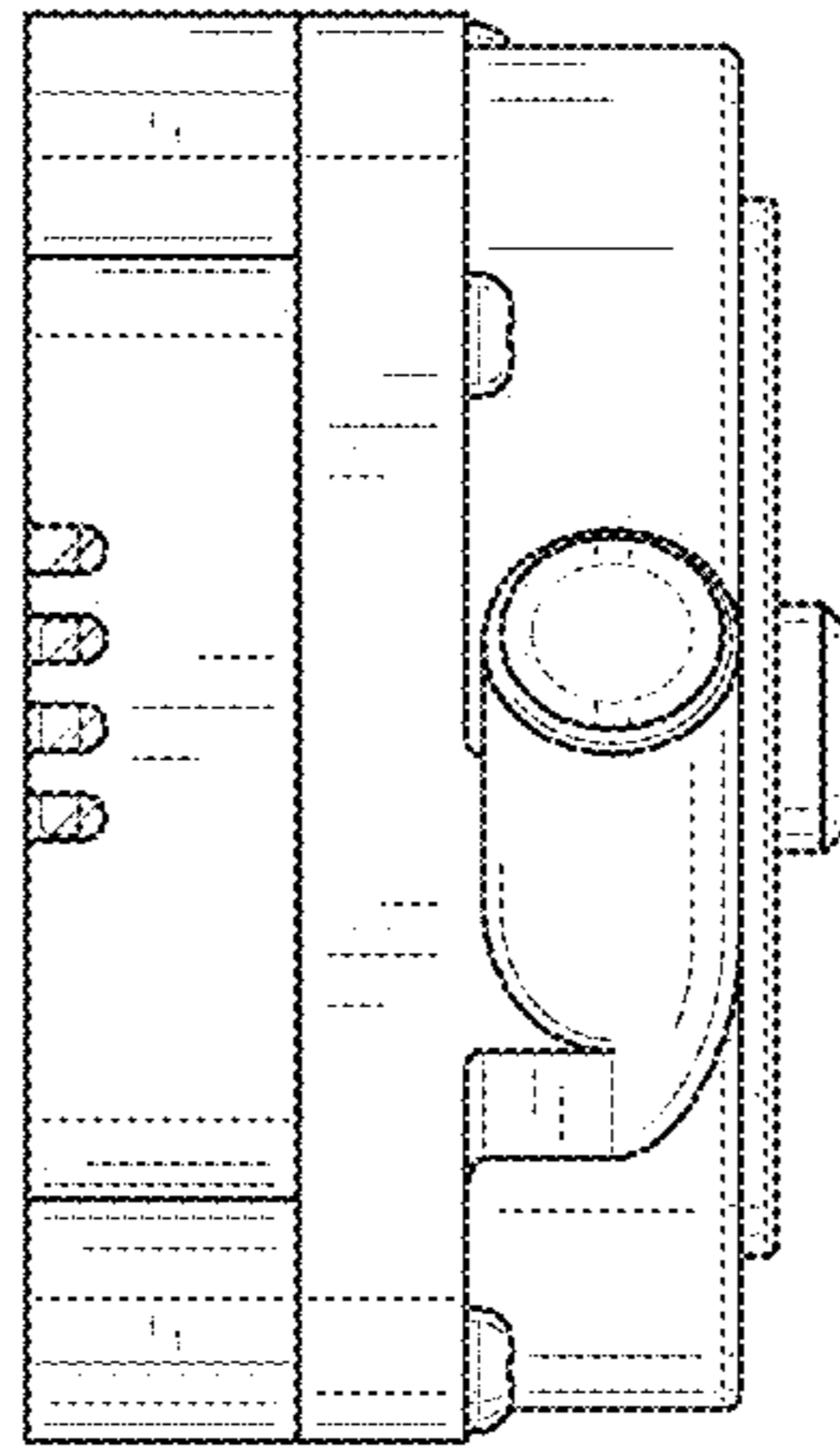


FIG. 6

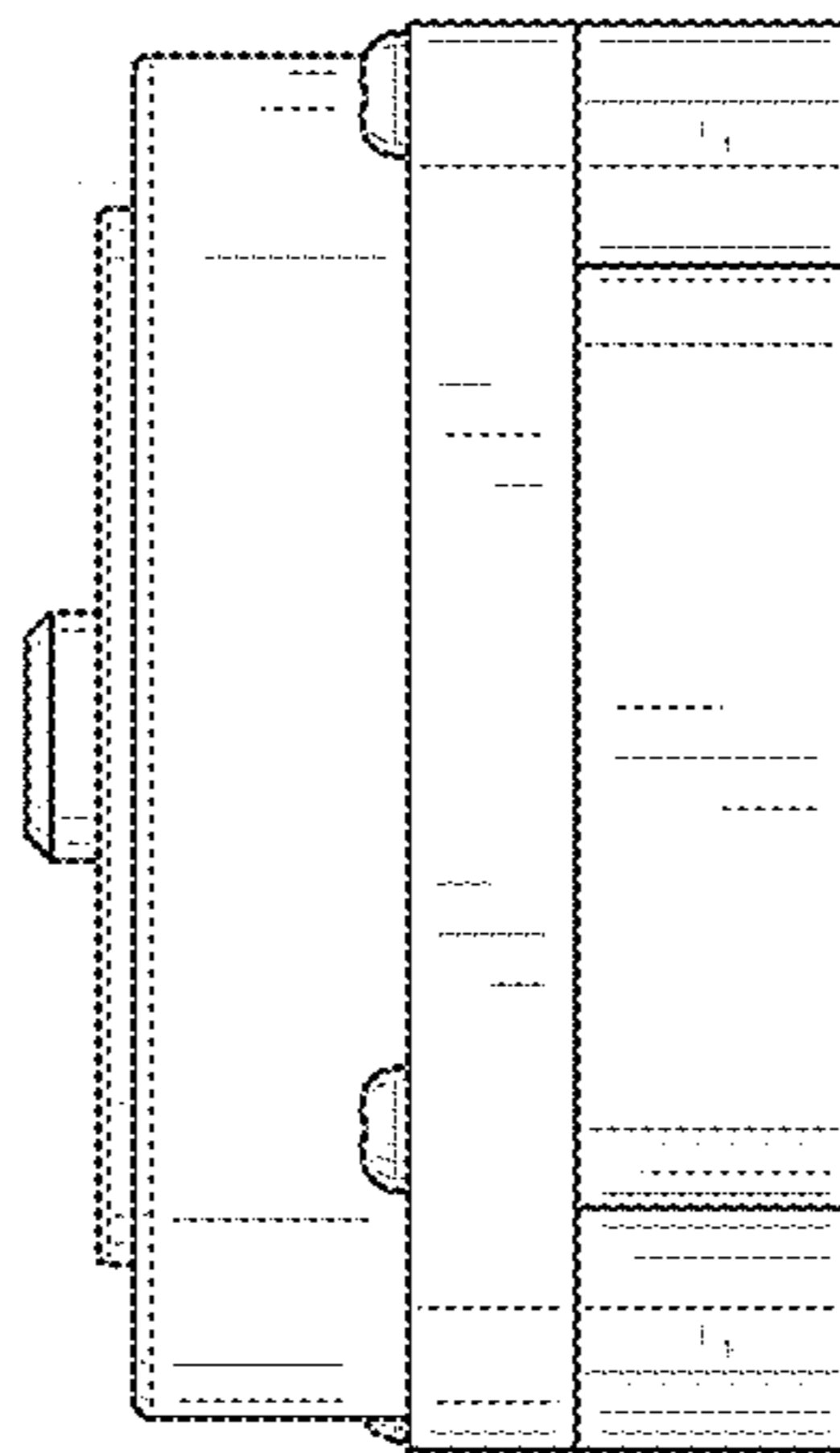


FIG. 7

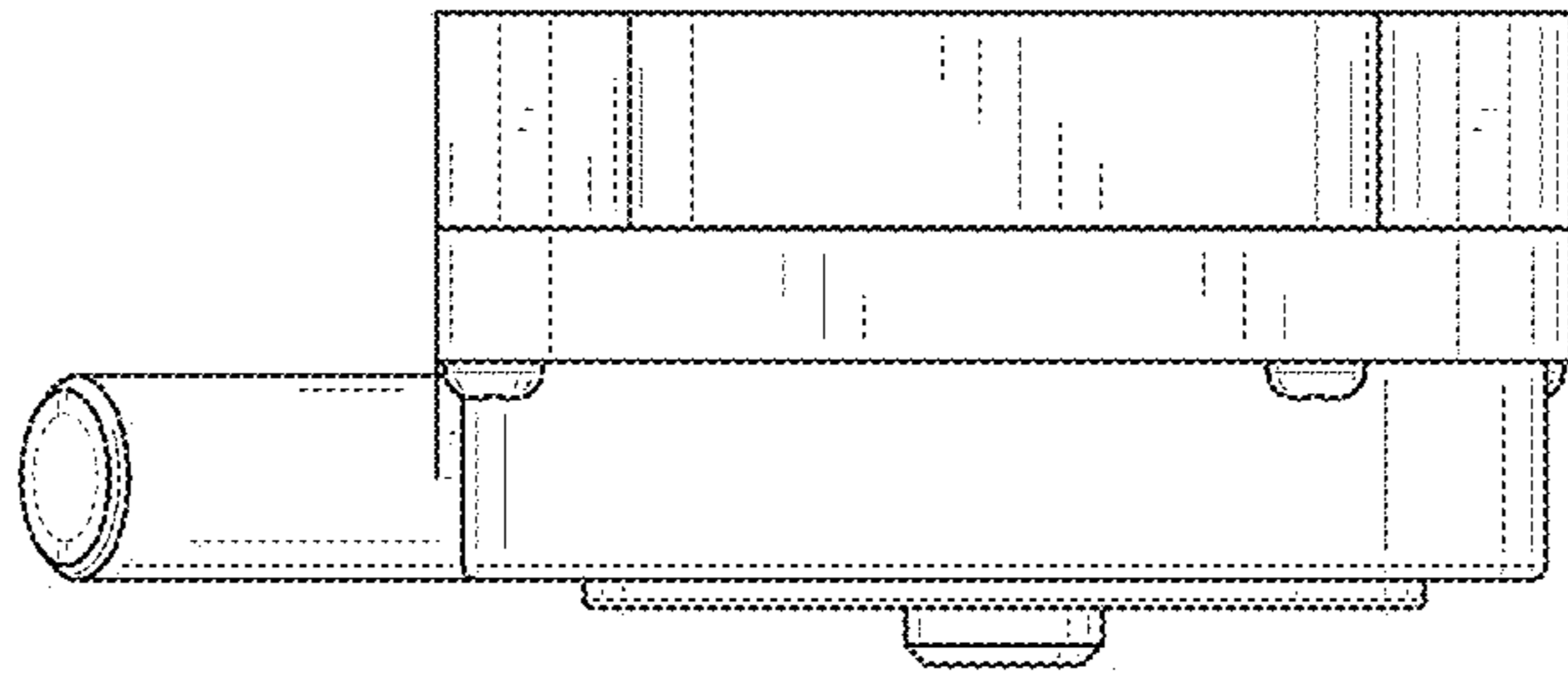


FIG. 8

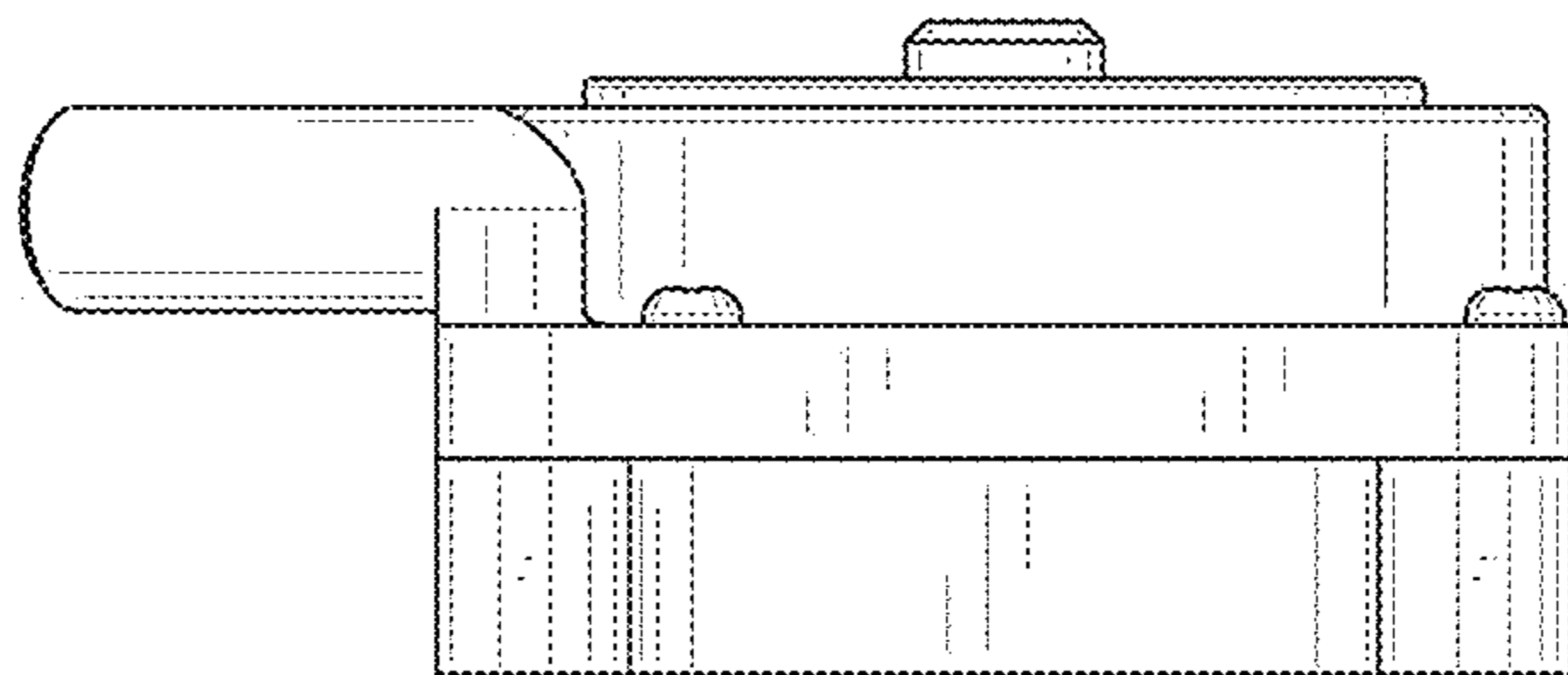


FIG. 9