



US00D928842S

(12) **United States Design Patent** (10) **Patent No.:** **US D928,842 S**
Palkic et al. (45) **Date of Patent:** **** Aug. 24, 2021**

(54) **PUMP ADAPTER**

(71) Applicant: **Holley Performance Products, Inc.**,
Bowling Green, KY (US)
(72) Inventors: **Darko Palkic**, Bowling Green, KY
(US); **Timothy A. Grillot**, Alvaton, KY
(US)
(73) Assignee: **Holley Performance Products, Inc.**,
Bowling Green, KY (US)
(**) Term: **15 Years**

(21) Appl. No.: **29/710,141**
(22) Filed: **Oct. 21, 2019**

Related U.S. Application Data

(62) Division of application No. 29/662,532, filed on Sep.
6, 2018, now Pat. No. Des. 892,865.
(51) **LOC (13) Cl.** **15-02**
(52) **U.S. Cl.**
USPC **D15/7**
(58) **Field of Classification Search**
USPC D15/7-9
(Continued)

(56) **References Cited**

U.S. PATENT DOCUMENTS

D348,513 S * 7/1994 Bale D24/109
D529,515 S * 10/2006 DeGroot D15/7
(Continued)

FOREIGN PATENT DOCUMENTS

AU 201910220 3/2019
AU 201911579 4/2019
AU 201911581 4/2019

OTHER PUBLICATIONS

Divisional U.S. Appl. No. 29/710,142, filed Oct. 21, 2019 titled
Pump Adapter.

(Continued)

Primary Examiner — Mitchell I. Siegel
(74) *Attorney, Agent, or Firm* — Middleton Reutlinger

(57) **CLAIM**

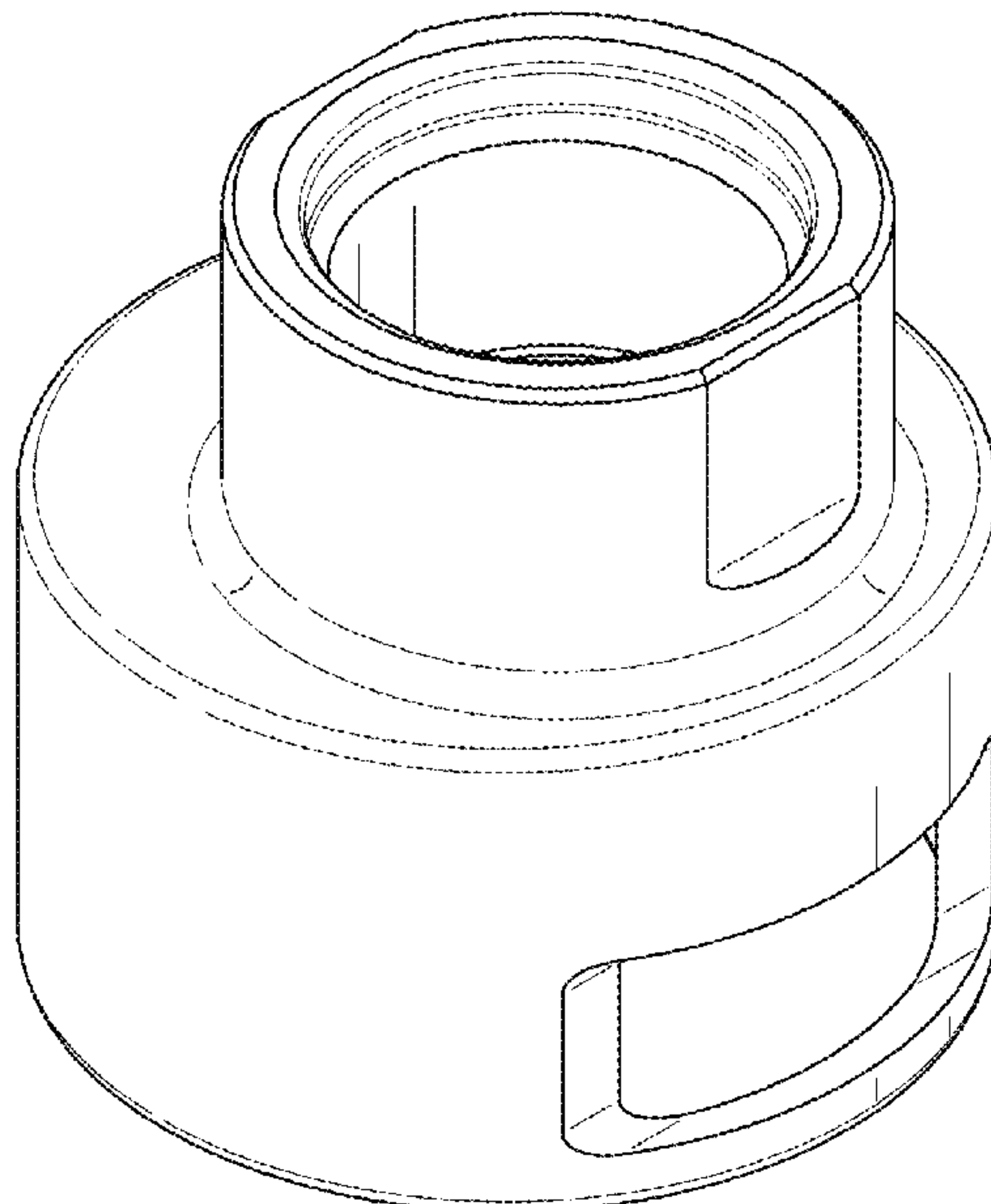
The ornamental design for the pump adapter, as shown and
described.

DESCRIPTION

Cross-reference is made to U.S. Provisional Patent Appli-
cation No. 67/727,716, titled “Pump Adapter,” filed on Sep.
6, 2018, which is now pending as U.S. Non-Provisional
patent application Ser. No. 16/553,619, titled “Pump
Adapter”, filed on Aug. 28, 2019, all of which is expressly
incorporated herein by reference.

FIG. 1 is a perspective view of a pump adapter shown with
a clamp shown in broken line;
FIG. 2 is a perspective view of the pump adapter shown
without the unclaimed clamp;
FIG. 3 is a lower perspective view of the pump adapter of
FIG. 1;
FIG. 4 is a side elevational view of the pump adapter of FIG.
2;
FIG. 5 is an opposite side elevational view of the pump
adapter of FIG. 2;
FIG. 6 is a front elevational view of the pump adapter of
FIG. 2;
FIG. 7 is a rear elevational view of the pump adapter of FIG.
2;
FIG. 8 is a top plan view of the pump adapter of FIG. 2; and,
FIG. 9 is a bottom plan view of the pump adapter of FIG. 2.
The broken lines shown on the drawings form no part of the
claimed design.

1 Claim, 9 Drawing Sheets



(58) **Field of Classification Search**
CPC F02M 37/04; F02M 37/14
See application file for complete search history.

(56) **References Cited**

U.S. PATENT DOCUMENTS

7,533,661 B2 5/2009 Baasch et al.
D716,674 S * 11/2014 Herzl D10/53
D716,675 S * 11/2014 Herzl D10/53
D717,182 S * 11/2014 Herzl D10/53
D720,449 S * 12/2014 Galbraith D24/111
D728,388 S * 5/2015 Robey D10/53
D892,865 S * 8/2020 Palkic D15/7

OTHER PUBLICATIONS

Design U.S. Appl. No. 29/597,917 entitled "Adapter", filed Mar. 21, 2017.

Provisional U.S. Appl. No. 62/727,716 entitled "Pump Adapter", filed Sep. 6, 2018.

Design U.S. Appl. No. 29/658,294 entitled "Adapter", filed Jul. 30, 2018.

Utility U.S. Appl. No. 16/553,619 entitled "Pump Adapter", filed Aug. 28, 2019.

Provisional U.S. Appl. No. 62/872,520 entitled "Air Filter Adapter", filed Jul. 10, 2019.

Radium Engineering, 20/0145 Fuel Pump Inlet Adapter Installation Instructions, Sep. 21, 2018 [publication date retrieved from Internet Wayback Machine on Oct. 8, 2019].

www.efihardware.com, Walbro In Tank Fuel Pump Extension Kit, Mar. 31, 2015 [publication date retrieve from Internet Wayback Machine on Oct. 8, 2019].

Design U.S. Appl. No. 29/662,532 entitled "Pump Adapter", filed Sep. 6, 2018.

* cited by examiner

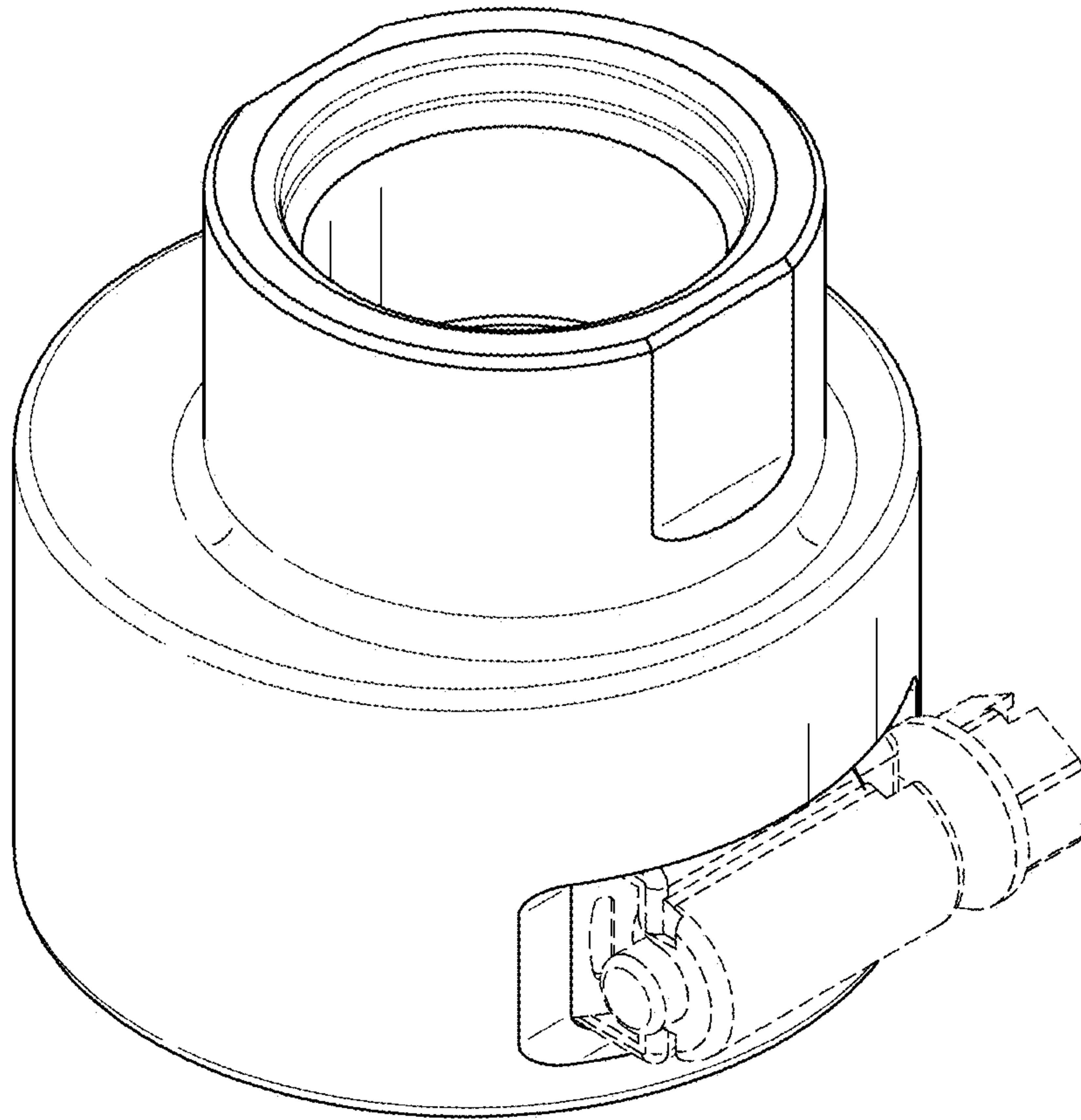


FIG. 1

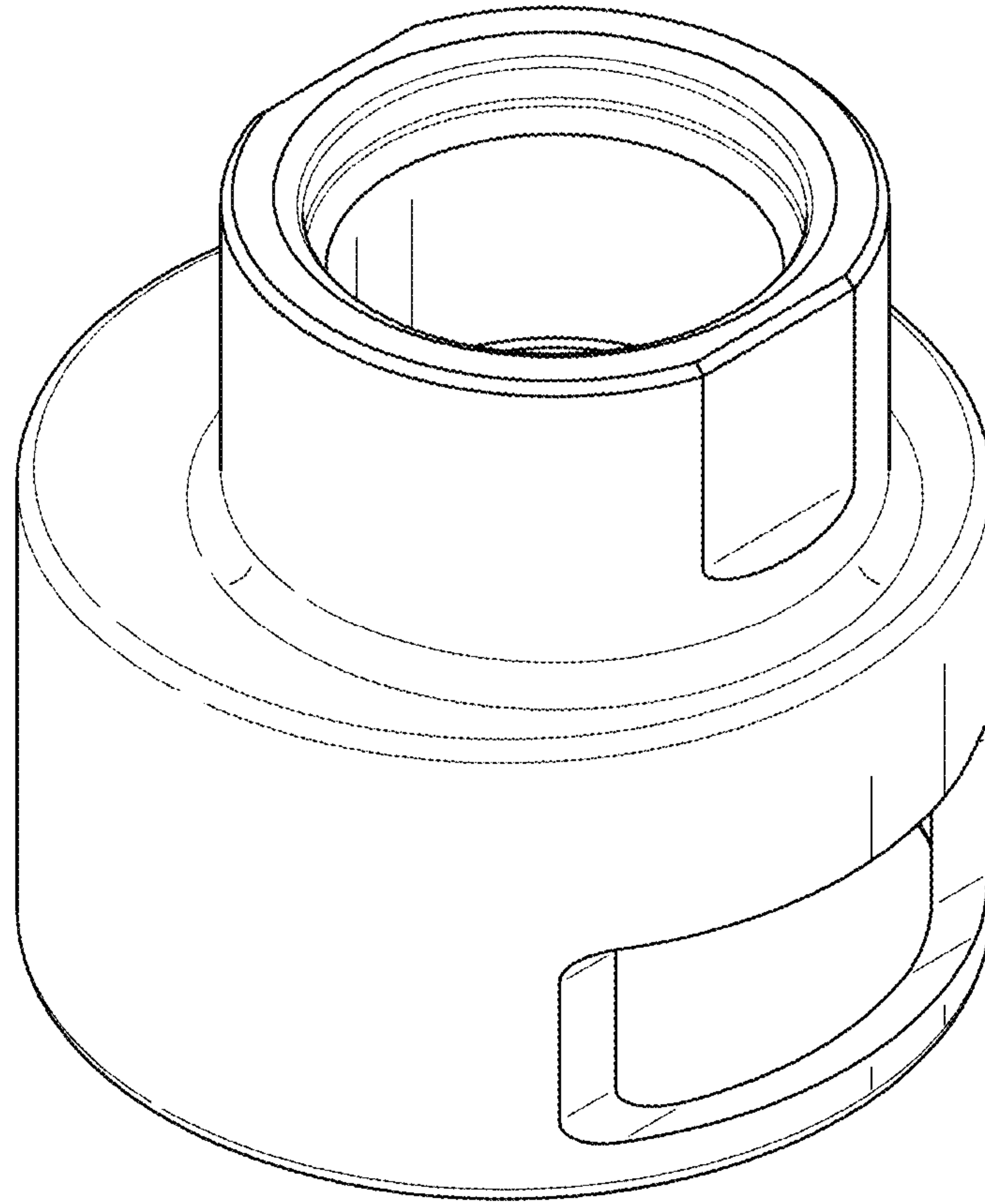


FIG. 2

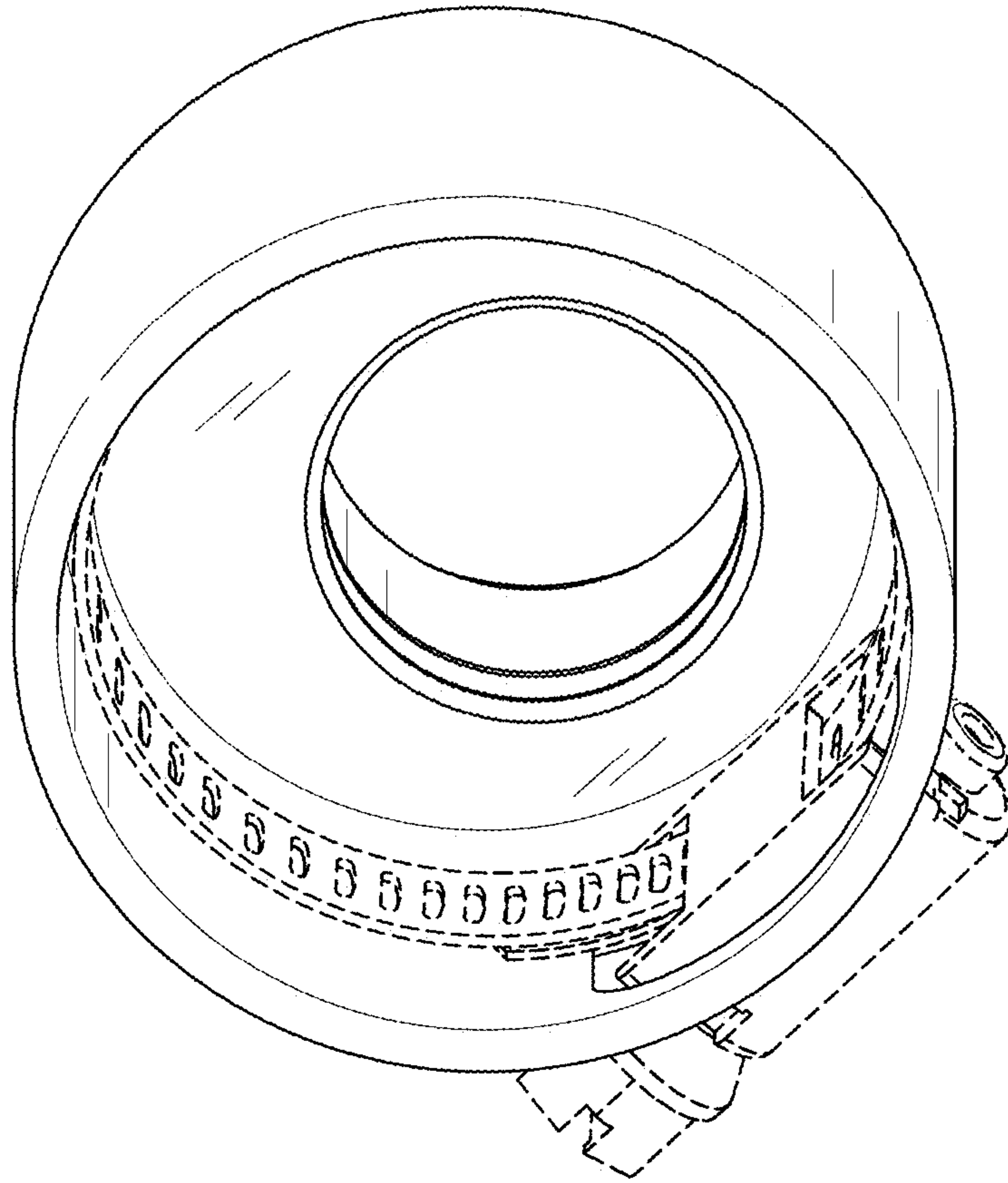


FIG. 3

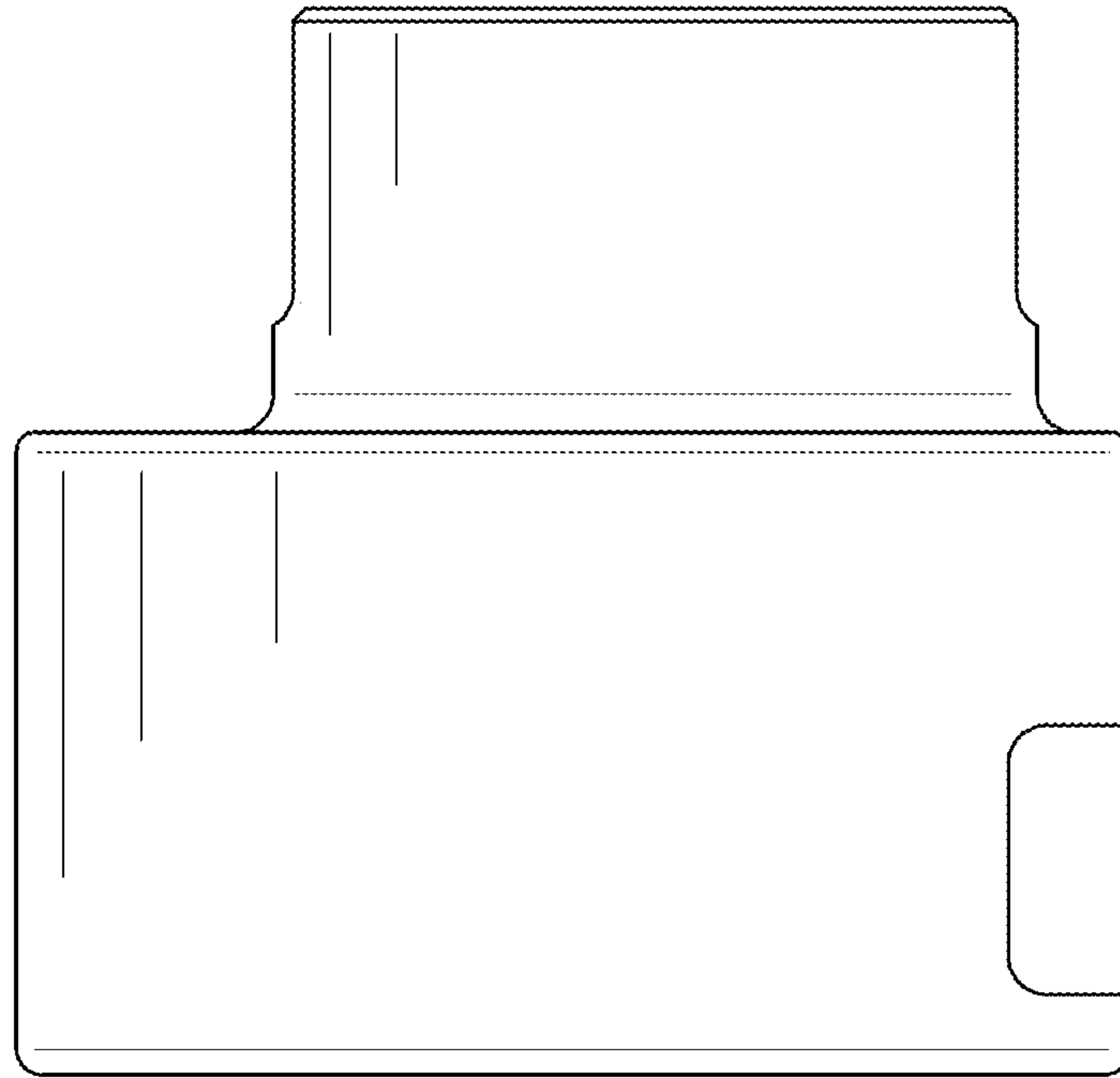


FIG. 4

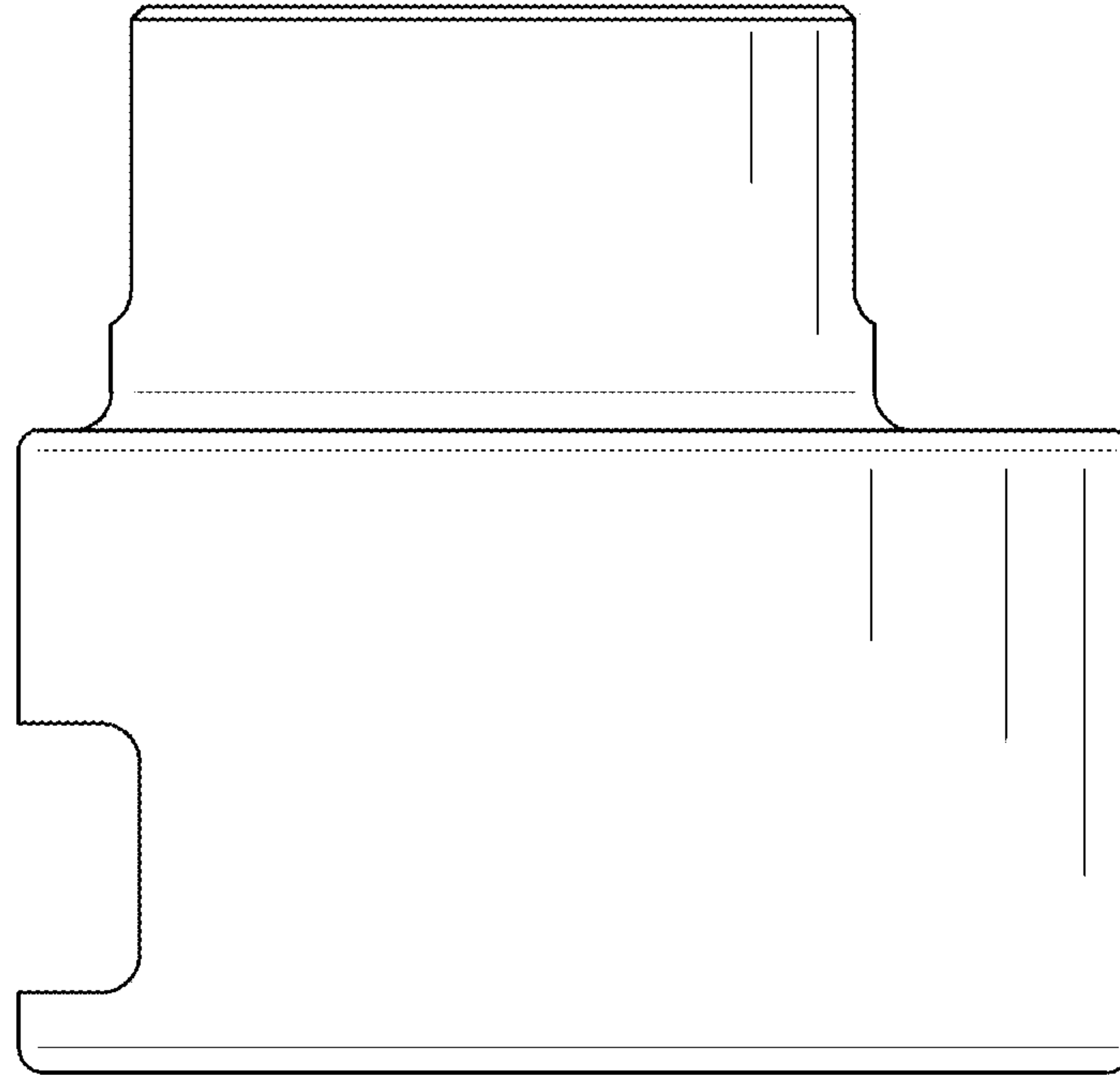


FIG. 5

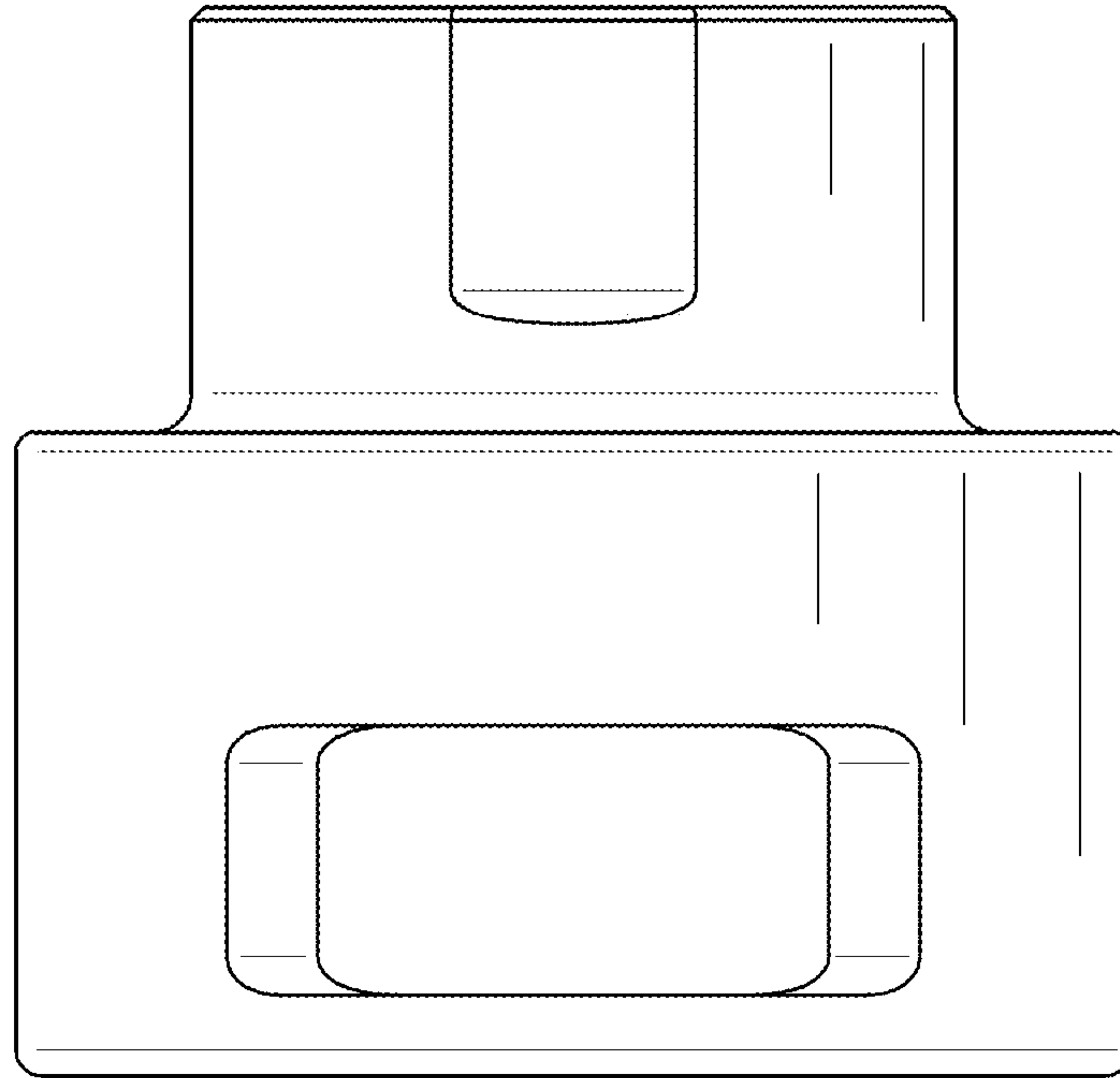


FIG. 6

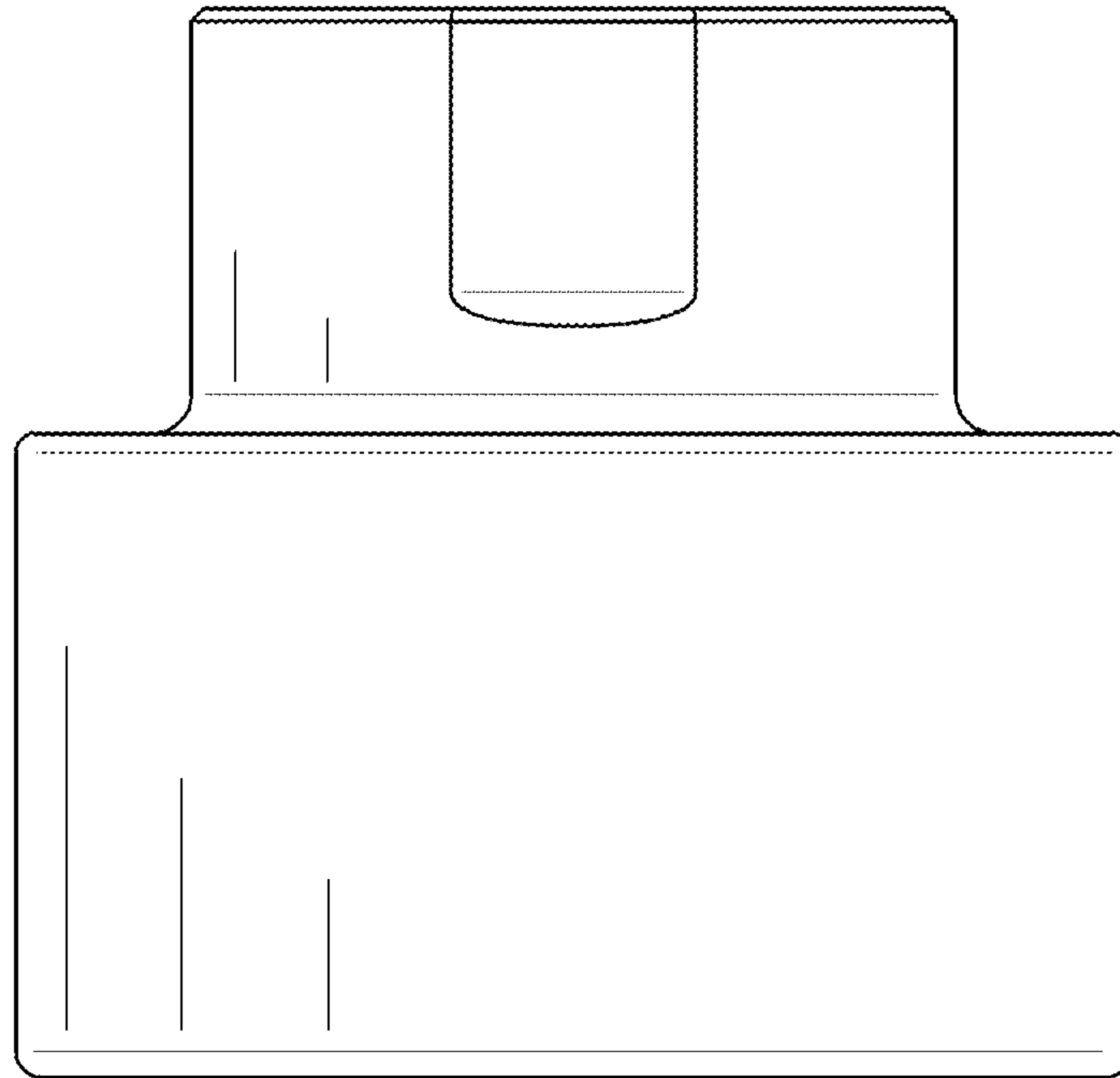


FIG. 7

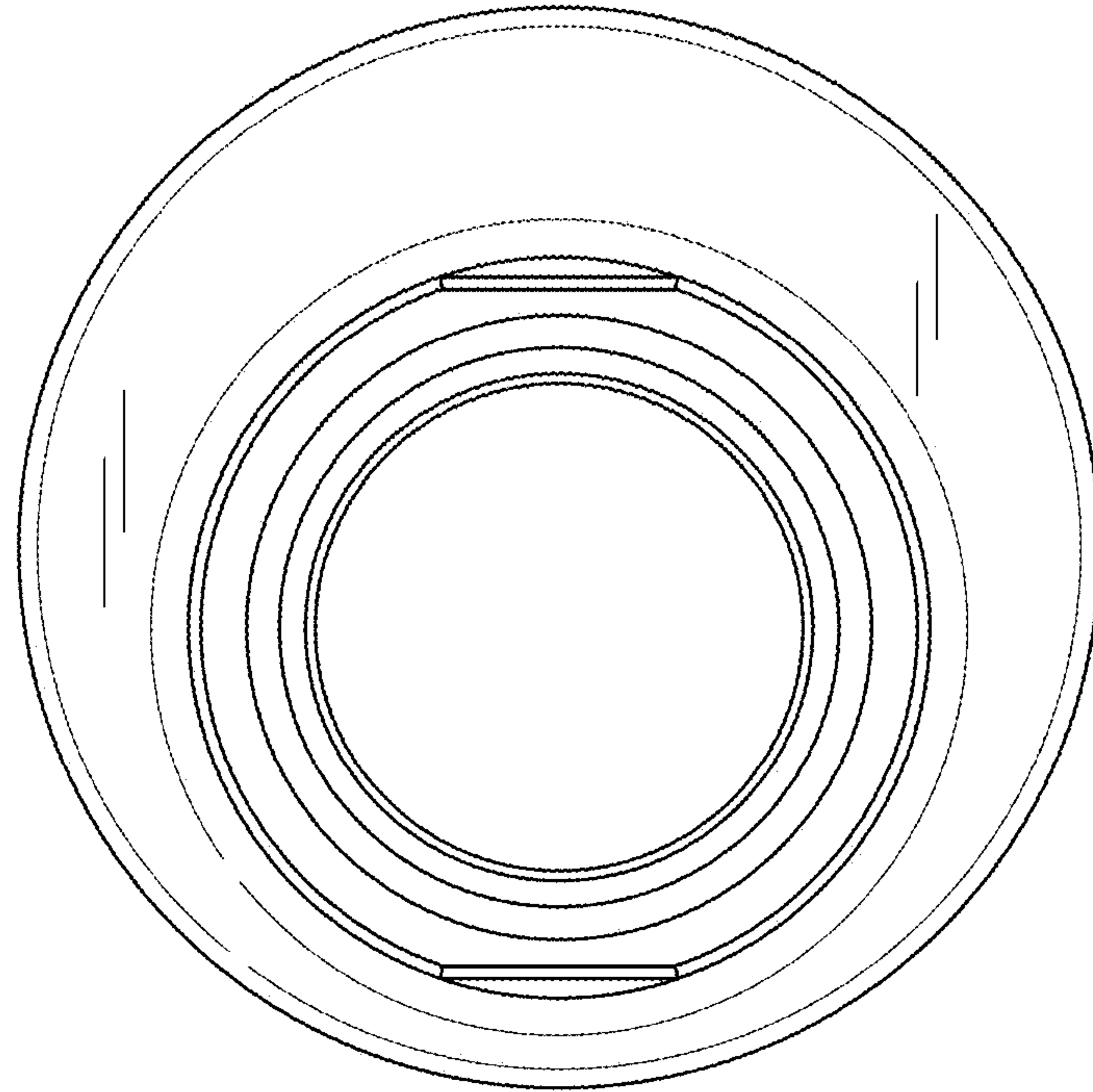


FIG. 8

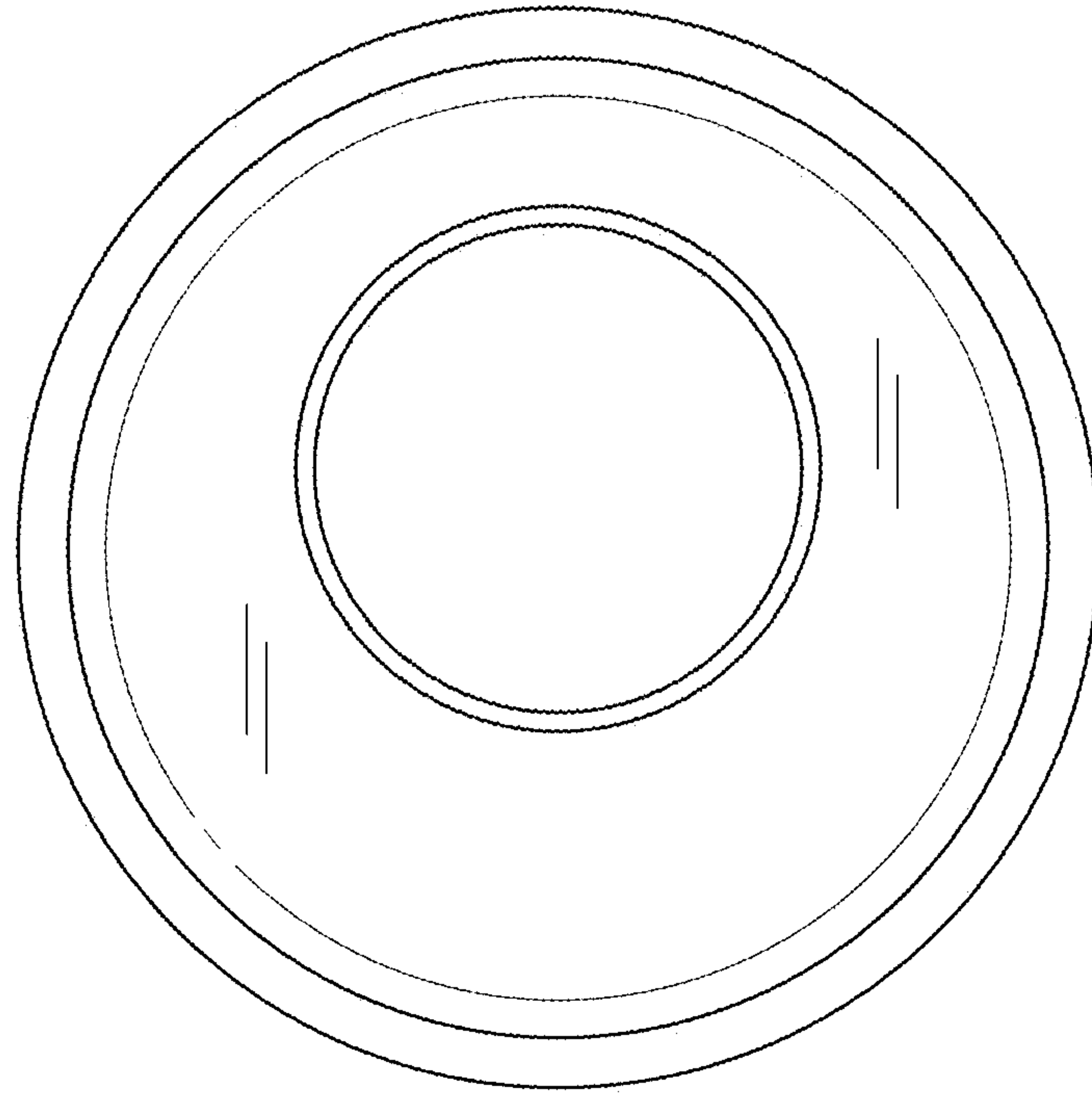


FIG. 9