



US00D928805S

(12) **United States Design Patent** (10) **Patent No.:** **US D928,805 S**
Yore (45) **Date of Patent:** **** Aug. 24, 2021**

(54) **DISPLAY SCREEN OR PORTION THEREOF WITH GRAPHICAL USER INTERFACE**

FOREIGN PATENT DOCUMENTS

(71) Applicant: **Sonos, Inc.**, Santa Barbara, CA (US)

CN 303368351 * 9/2015
CN 306268015 S 1/2021

(72) Inventor: **Jason Yore**, Santa Barbara, CA (US)

OTHER PUBLICATIONS

(73) Assignee: **Sonos, Inc.**, Santa Barbara, CA (US)

Davies, Chris. "IKEA Symfonisk Review: Sonos' Swedish speaker stars." *Slash Gear*, published Jul. 25, 2019 (Retrieved from the Internet Apr. 15, 2021). Internet URL: <https://www.slashgear.com/ikea-symfonisk-review-sonos-swedish-speaker-stars-25585102/> (Year: 2019).*

(**) Term: **15 Years**

(21) Appl. No.: **29/704,414**

(Continued)

(22) Filed: **Sep. 4, 2019**

(51) **LOC (13) Cl.** **14-04**

Primary Examiner — Rachel A. Voorhies

(52) **U.S. Cl.**

(74) *Attorney, Agent, or Firm* — KPPB LLP

USPC **D14/485**

(58) **Field of Classification Search**

USPC D14/485–495

(57) **CLAIM**

CPC G06F 3/0484; G05B 19/418; H04M 1/72519–72561; G06T 13/80; G06T 15/02

The ornamental design for a display screen or portion thereof with graphical user interface, as shown and described.

See application file for complete search history.

(56) **References Cited**

U.S. PATENT DOCUMENTS

DESCRIPTION

D628,206 S * 11/2010 Lemay D14/486
D683,740 S * 6/2013 Glassman D14/486
D696,271 S * 12/2013 Lee D14/486
D700,912 S * 3/2014 Kim D14/485
8,892,679 B1 * 11/2014 Destagnol H04L 12/1859
709/213
D743,976 S * 11/2015 Wilberding D14/485
D754,672 S * 4/2016 Wilberding D14/485
D765,695 S * 9/2016 Leabman D14/486
D774,071 S * 12/2016 Parker D14/486
D779,533 S * 2/2017 Liu D14/486
D785,660 S * 5/2017 Kim D14/486
D789,391 S * 6/2017 Cabrera, Jr. D14/486
D829,751 S * 10/2018 Schaper D14/486
D849,037 S * 5/2019 Li D14/486
D852,834 S * 7/2019 Alexander H04L 12/1859
D14/486

FIG. 1 is a front view of a display screen or portion thereof with graphical user interface according to a first embodiment of the invention.

FIG. 2 is a front view of a display screen or portion thereof with graphical user interface according to a second embodiment of the invention; and,

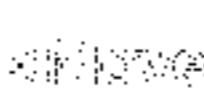
FIG. 3 is a front view of a display screen or portion thereof with graphical user interface according to a third embodiment of the invention.

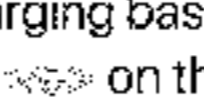
The dot-dash broken line represents a display screen or portion thereof and forms no part of the claimed design. The dash-dash broken lines show portions of the graphical user interface that form no part of the claimed design.

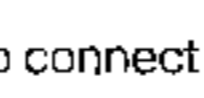
(Continued)

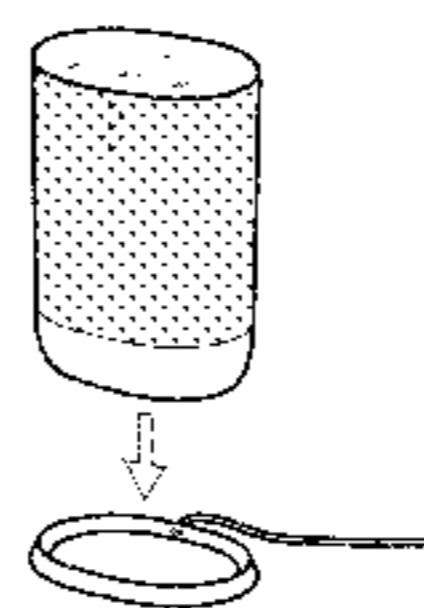
1 Claim, 3 Drawing Sheets

← Back

Connect  to power

Plug the charging base into a power outlet and put  on the base.

You can also connect  to a compatible USB-C power source instead.



Continue

(56)

References Cited

U.S. PATENT DOCUMENTS

D853,427 S * 7/2019 Alexander G06F 3/162
D14/486
D855,643 S * 8/2019 Schwer G06F 3/04883
D14/486
10,664,224 B2 * 5/2020 Sheen G06F 3/165
10,694,309 B1 * 6/2020 Vautrin H04R 5/02
D902,244 S * 11/2020 Kim D14/488
2015/0106737 A1 * 4/2015 Montoy-Wilson H04W 4/18
715/745
2016/0011850 A1 * 1/2016 Sheen G06F 3/162
715/709
2017/0374186 A1 * 12/2017 Velusamy G06F 3/0619
2018/0341448 A1 * 11/2018 Behzadi G06F 13/128
2019/0317721 A1 * 10/2019 Sheen H04R 29/001
2019/0372862 A1 * 12/2019 Carrigan G06F 3/04883

OTHER PUBLICATIONS

Crist. "Casper mattresses: Now with smart lights on the side."
CNET, published Jan. 29, 2019 (Retrieved from the Internet Dec.
10, 2020). Internet URL: <<https://www.cnet.com/news/casper-glow-smart-light-mattress-sleep-tech-2019/>> (Year: 2019).*

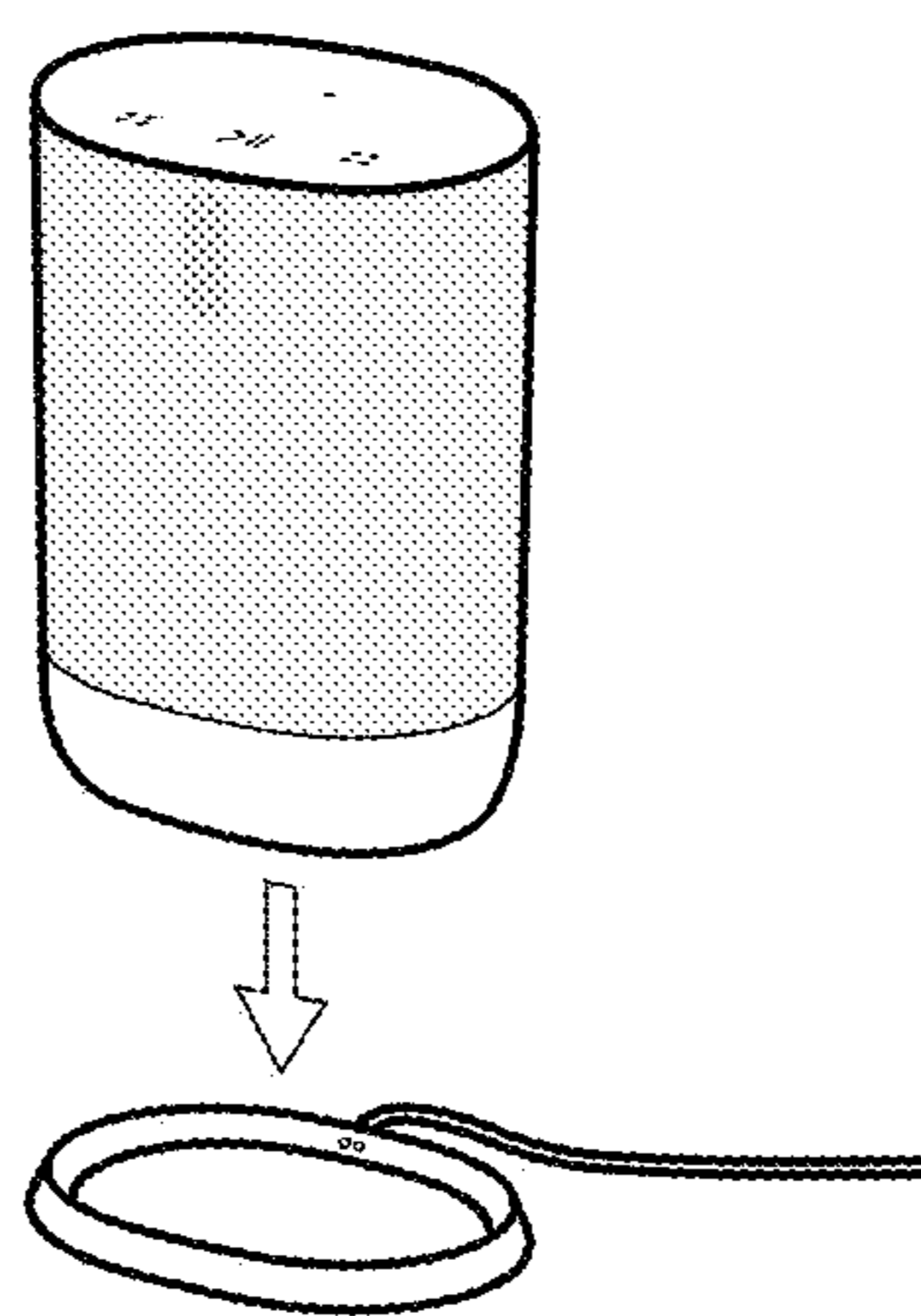
* cited by examiner

← Back

Connect <Move> to power

Plug the charging base into a power outlet and put <Move> on the base.

You can also connect <Move> to a compatible USB-C power source instead.



Continue

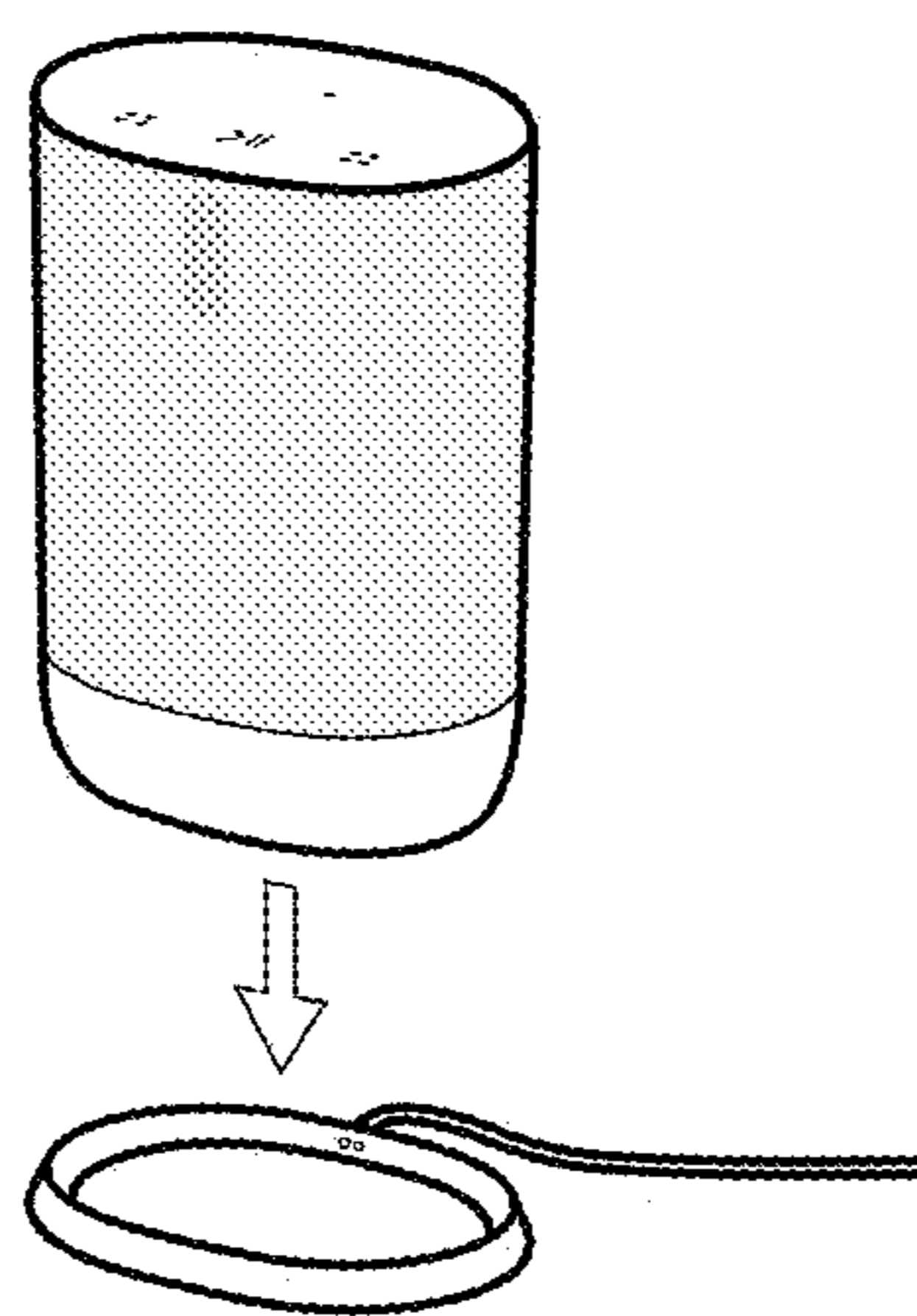
FIG. 1

← Back

Connect <Move> to power

Plug the charging base into a power outlet and put <Move> on the base.

You can also connect <Move> to a compatible USB-C power source instead.



<Move> is charging

FIG. 2

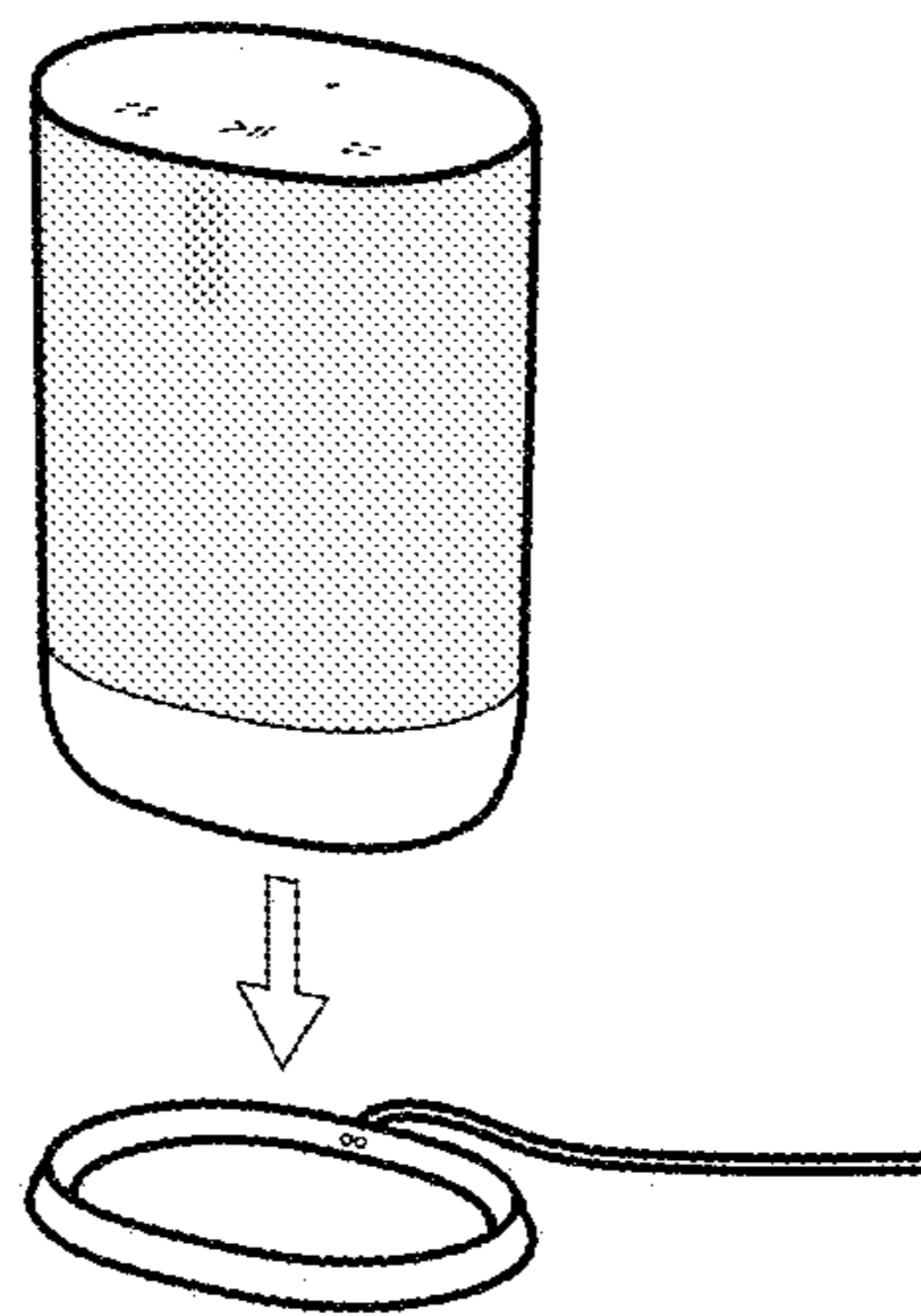
← Back

**Make sure your <model> is
powered on and set to Wi-Fi
mode**

The top status light should be solid white.

Learn more:

<http://faq.sonos.com/movesetup>



Continue

FIG. 3