

US00D928794S

(12) **United States Design Patent**  
**Kaluza**

(10) **Patent No.:** **US D928,794 S**

(45) **Date of Patent:** **\*\* Aug. 24, 2021**

(54) **HOLDER FOR ELECTRONIC DEVICES**

(71) Applicant: **Erwin Müller GmbH**, Lingen (DE)

(72) Inventor: **Georg Kaluza**, Velbert (DE)

(\*\*) Term: **15 Years**

(21) Appl. No.: **35/508,548**

(22) Filed: **Mar. 26, 2019**

(80) **Hague Agreement Data**

Int. Filing Date: **Mar. 26, 2019**

Int. Reg. No.: **DM/205631**

Int. Reg. Date: **Mar. 26, 2019**

Int. Reg. Pub. Date: **Feb. 14, 2020**

(30) **Foreign Application Priority Data**

Sep. 26, 2018 (EM) ..... 005660628

(51) **LOC (13) Cl.** ..... **08-07**

(52) **U.S. Cl.**

USPC ..... **D14/452**; D14/447

(58) **Field of Classification Search**

USPC ..... D14/447, 432, 434, 439, 440, 451, 452,  
D14/457, 239, 253; D8/363, 373, 380;

D6/406.3, 406.4, 406.5, 406.6; D12/415

CPC ..... A47B 21/04; A47B 2097/006; A47B  
2097/005; A47B 2023/049; A45C

2011/002; A45C 2011/003; F16M

2200/00; F16M 13/00

See application file for complete search history.

(56) **References Cited**

**U.S. PATENT DOCUMENTS**

D323,323 S \* 1/1992 Klaebel ..... D14/452

D462,969 S \* 9/2002 Scharer ..... D14/447

D640,709 S \* 6/2011 Stoelinga ..... D14/452

D654,503 S \* 2/2012 Sapper ..... D14/452

D660,943 S \* 5/2012 Kaluza

D796,519 S \* 9/2017 Hung ..... D14/452

D798,848 S *	10/2017	Frank	.....	D14/239
D815,643 S *	4/2018	Bowman	.....	D14/452
D822,671 S *	7/2018	Chu	.....	D14/452
D830,371 S *	10/2018	Lau	.....	D14/452
D843,379 S *	3/2019	Lindo	.....	D14/452
D843,380 S *	3/2019	Lindo	.....	D14/452
D847,823 S *	5/2019	Monsalve	.....	D14/452
D848,444 S *	5/2019	Jung	.....	D14/452
D849,013 S *	5/2019	Monsalve	.....	D14/452
D859,422 S *	9/2019	Borloz	.....	D14/452
D870,737 S *	12/2019	Borloz	.....	D14/452
D875,105 S *	2/2020	Xiang	.....	D14/452
D877,744 S *	3/2020	Xiang	.....	D14/452

(Continued)

*Primary Examiner* — Keli L Hill

(74) *Attorney, Agent, or Firm* — Bachman & LaPointe, PC

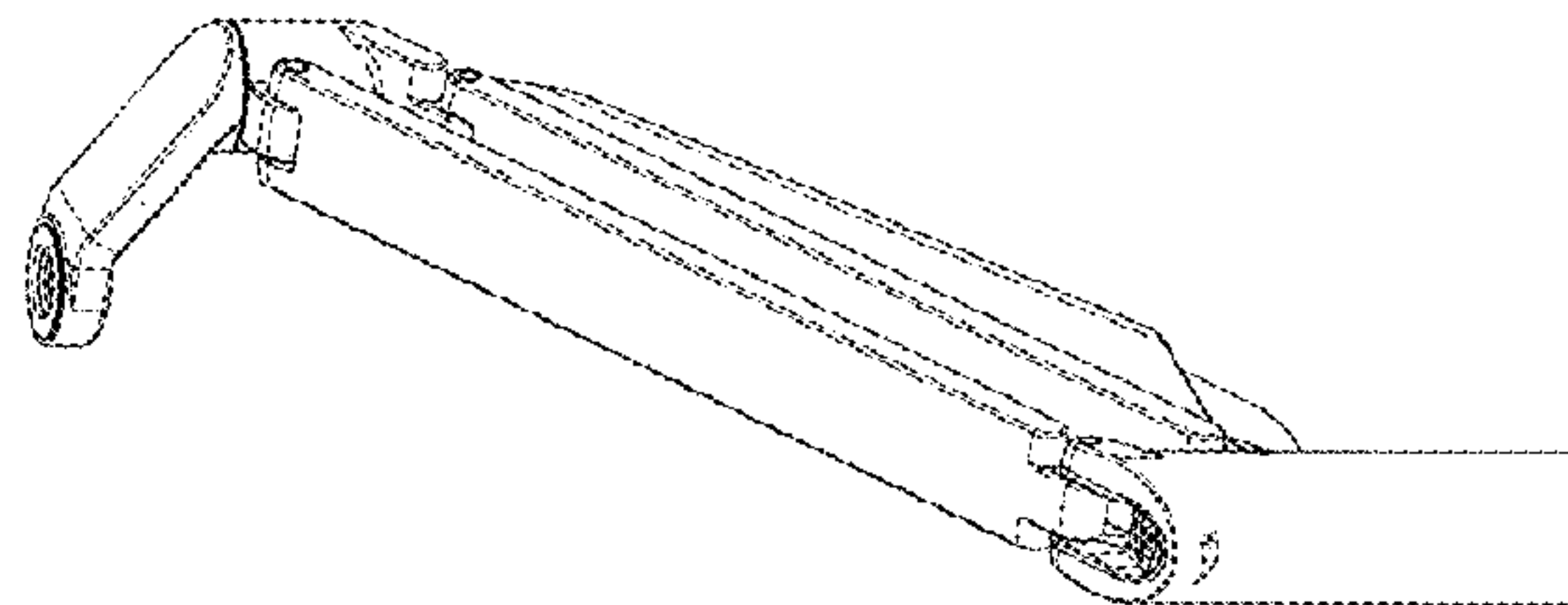
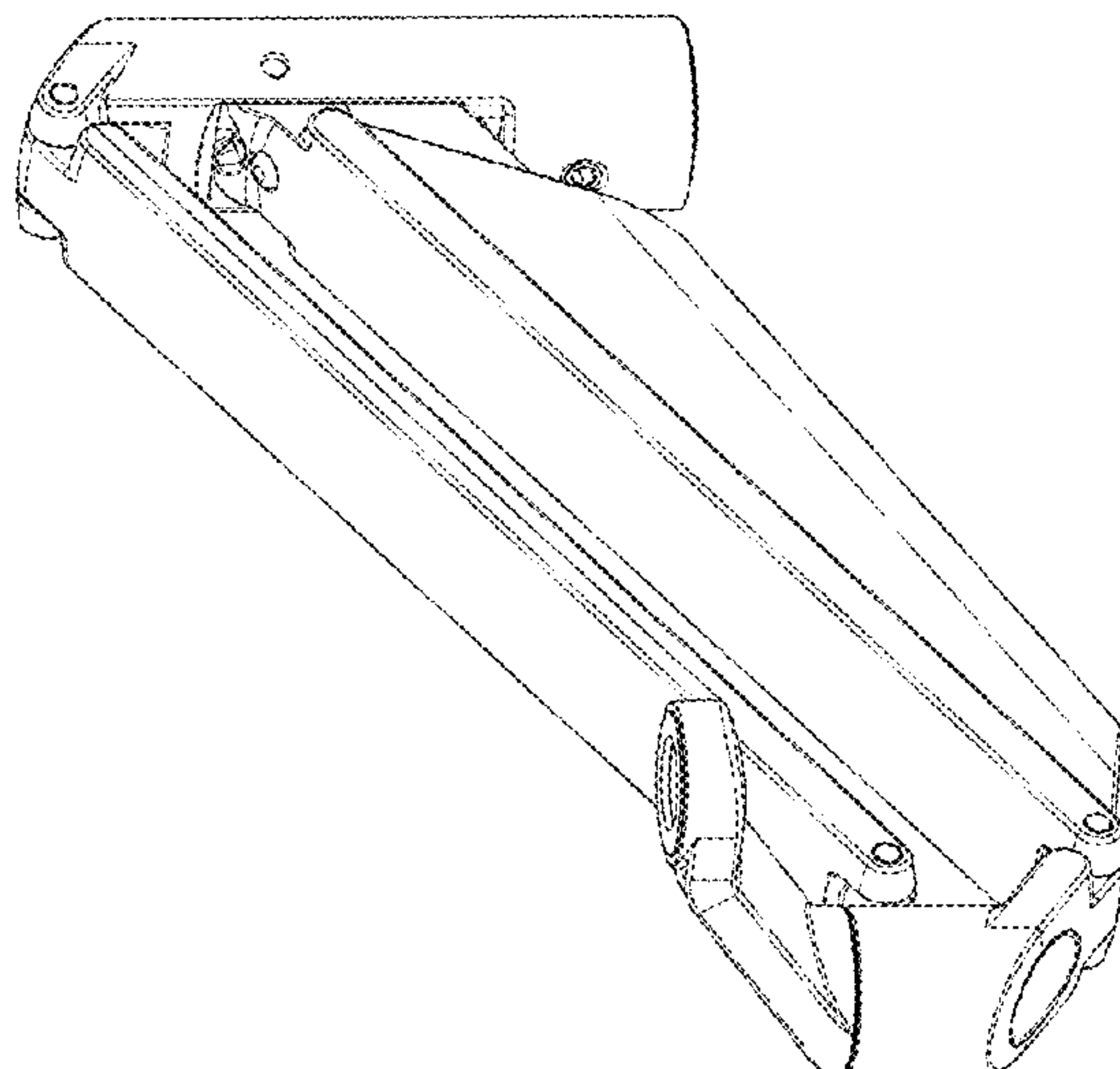
(57) **CLAIM**

The ornamental design for a holder for electronic devices, as shown and described.

**DESCRIPTION**

- 5.-7. Holder for electronic devices
- 5.1 is a front perspective view of a first embodiment.
- 5.2 is a rear perspective view.
- 5.3 is a left side elevation view.
- 5.4 is a left side elevation view.
- 5.5 is a right side elevation view.
- 5.6 is an alternate rear perspective view.
- 5.7 is an alternate left side elevation view.
- 5.8 is an alternate right side elevation view.
- 5.9 is an alternate rear elevation view.
- 5.10 is another alternate rear elevation view.
- 7.1 is a front perspective view of a second embodiment.
- 7.2 is a rear perspective view.
- 7.3 is an alternate rear perspective view.
- 7.4 is a left side elevation view.
- 7.5 is a right side elevation view.
- 7.6 is an alternate left side elevation view.
- 7.7 is an alternate right side elevation view.
- 7.8 is a rear elevation view.

**1 Claim, 18 Drawing Sheets**



(56)

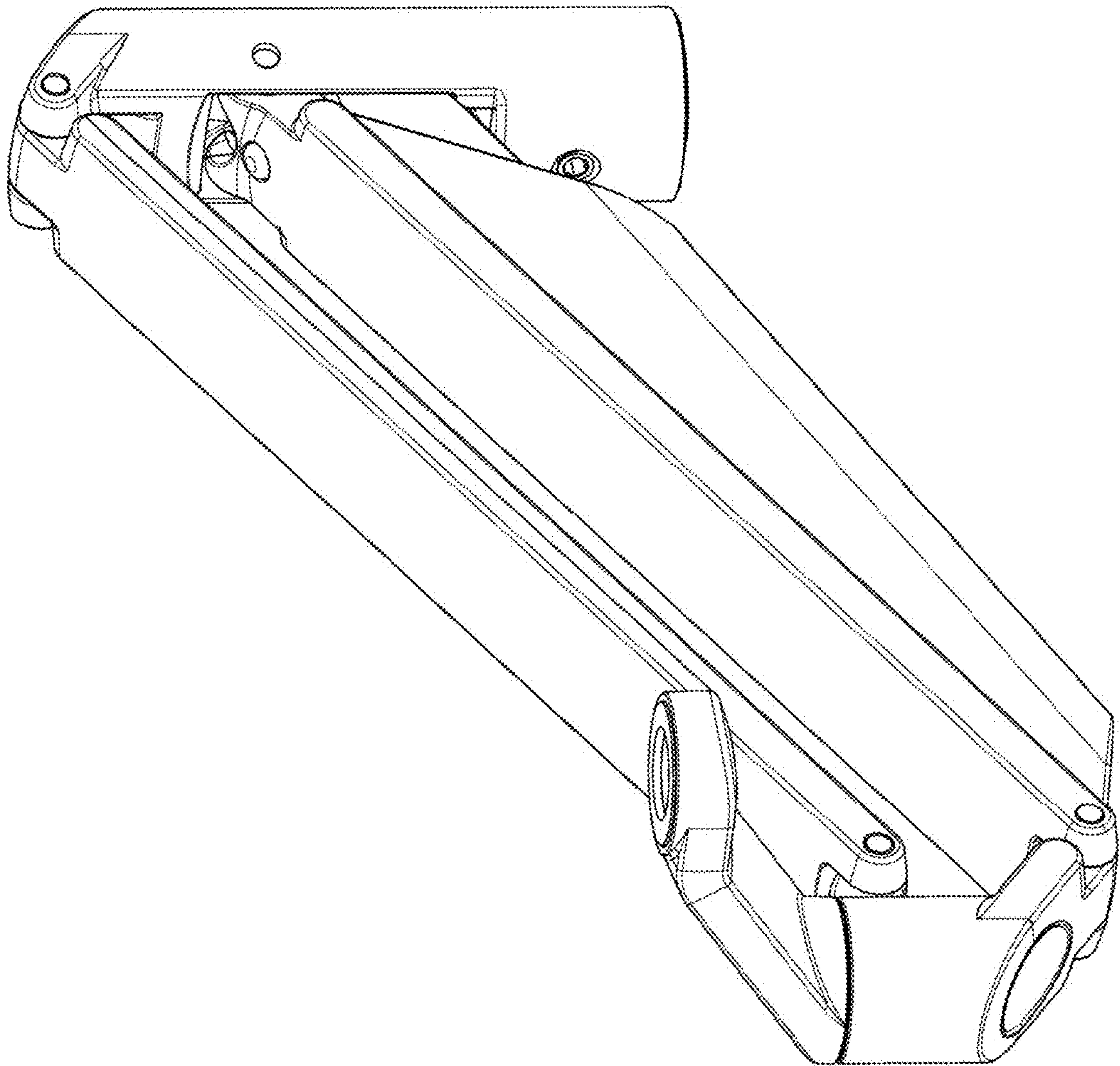
**References Cited**

U.S. PATENT DOCUMENTS

D883,298 S \* 5/2020 Wakasugi ..... D14/452  
D896,817 S \* 9/2020 McKay ..... D14/452  
D910,028 S \* 2/2021 Pelly ..... F16M 11/2014  
D14/452  
D916,709 S \* 4/2021 Hung ..... F16M 13/02  
D14/452  
2014/0361134 A1 \* 12/2014 Chuang ..... F16M 13/02  
248/276.1  
2014/0367137 A1 \* 12/2014 Leung ..... F16M 11/2014  
174/68.3  
2020/0015585 A1 \* 1/2020 Ren ..... F16M 11/24

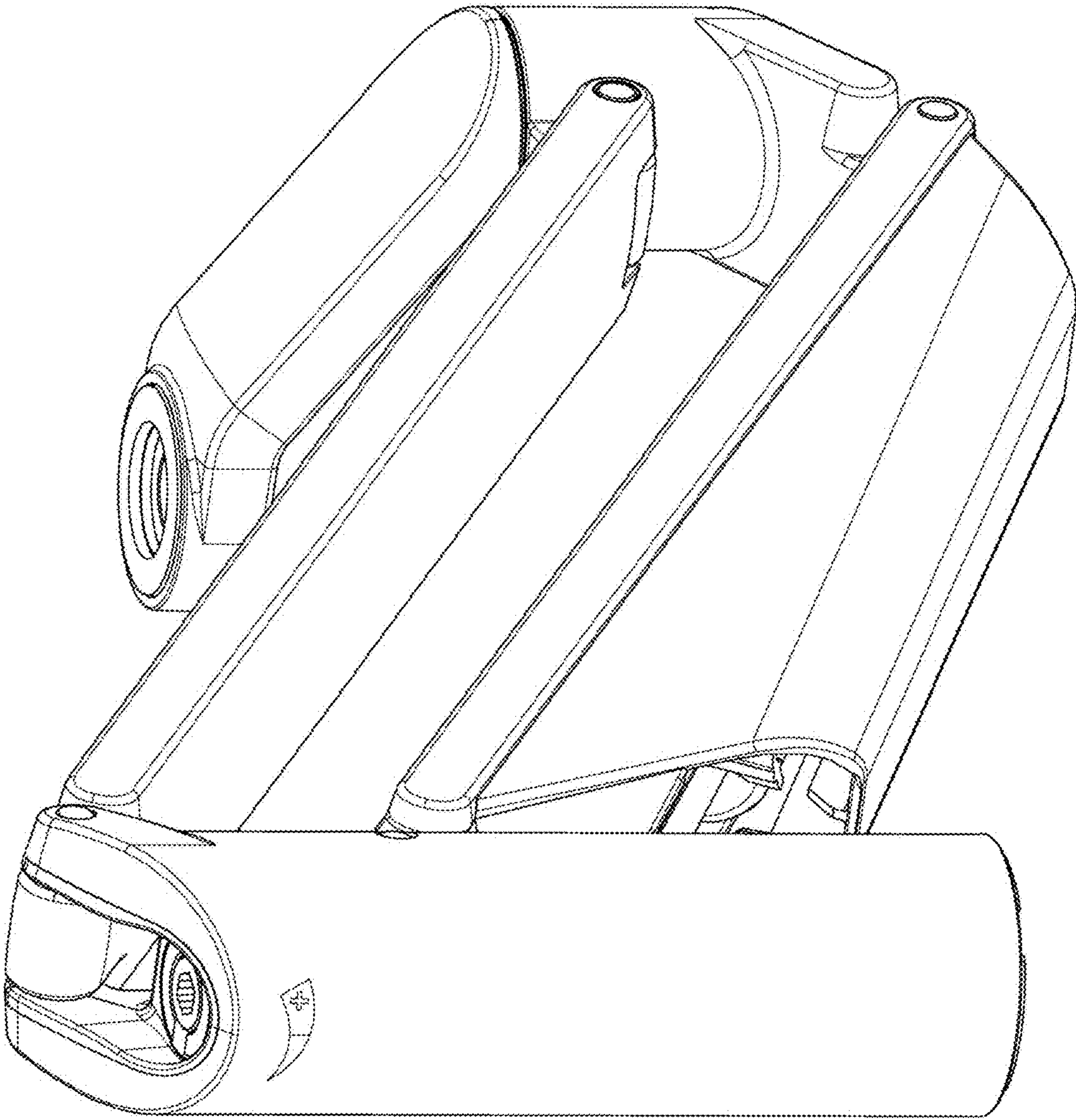
\* cited by examiner

5.1

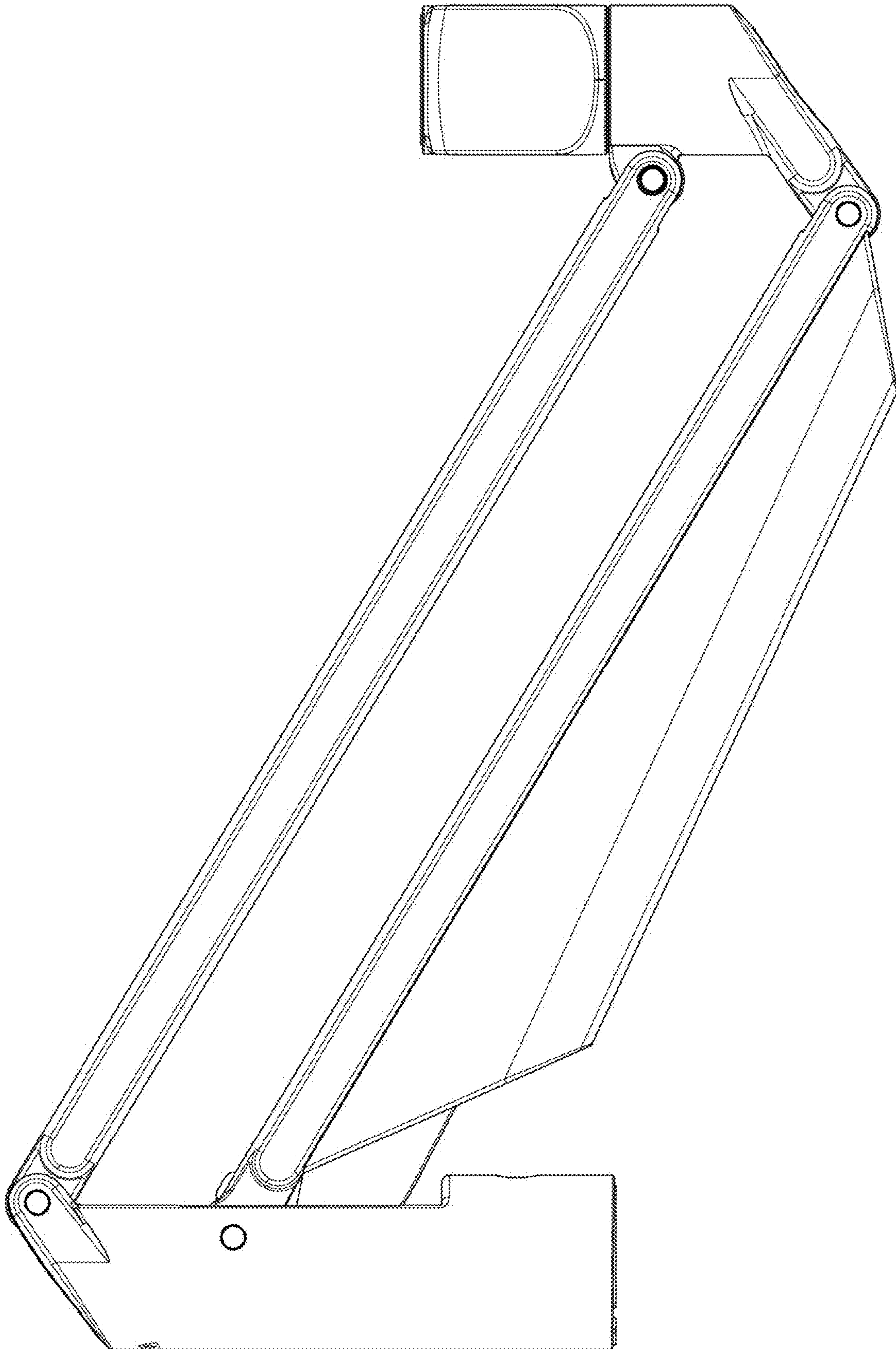




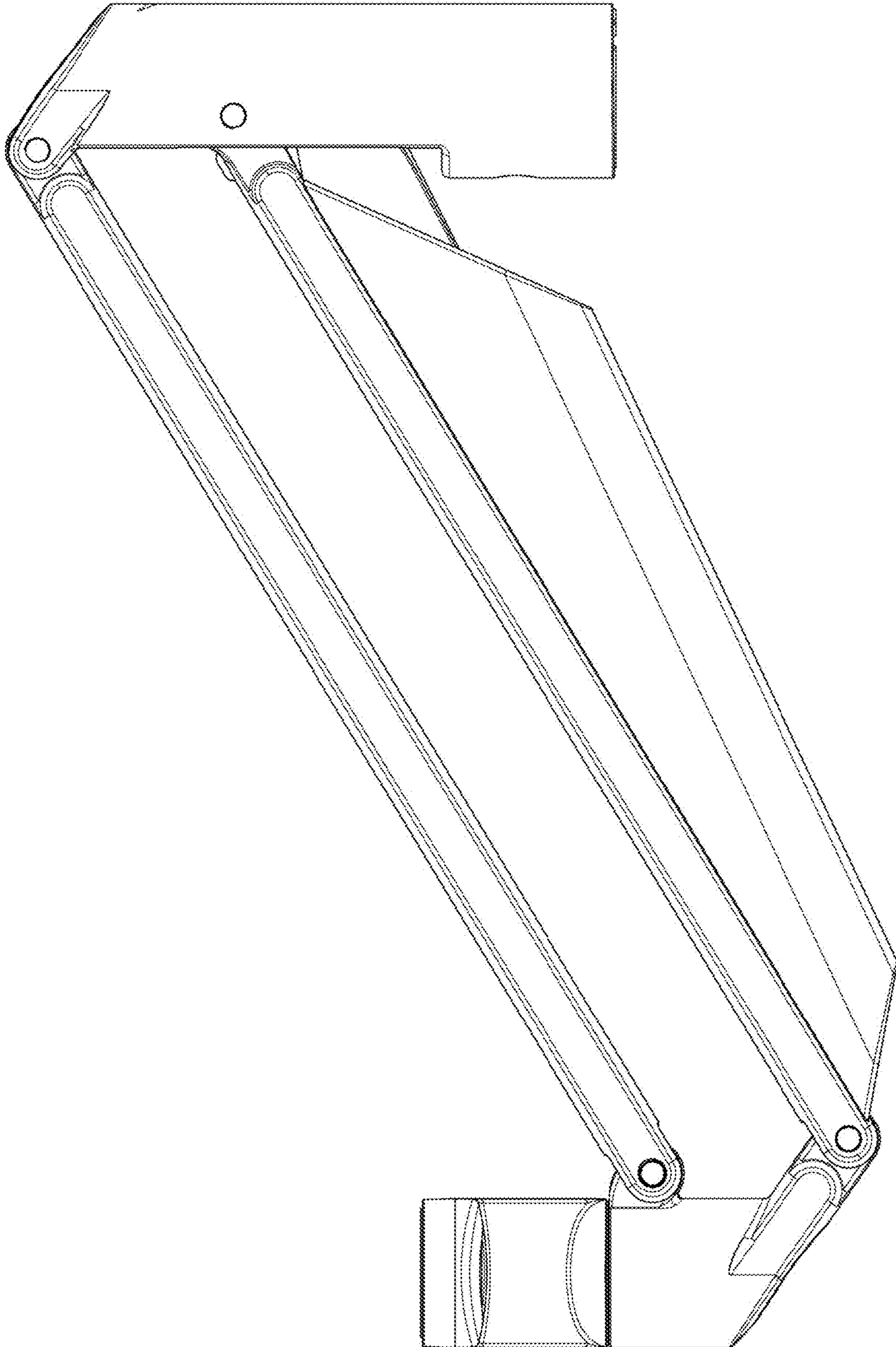
5.2



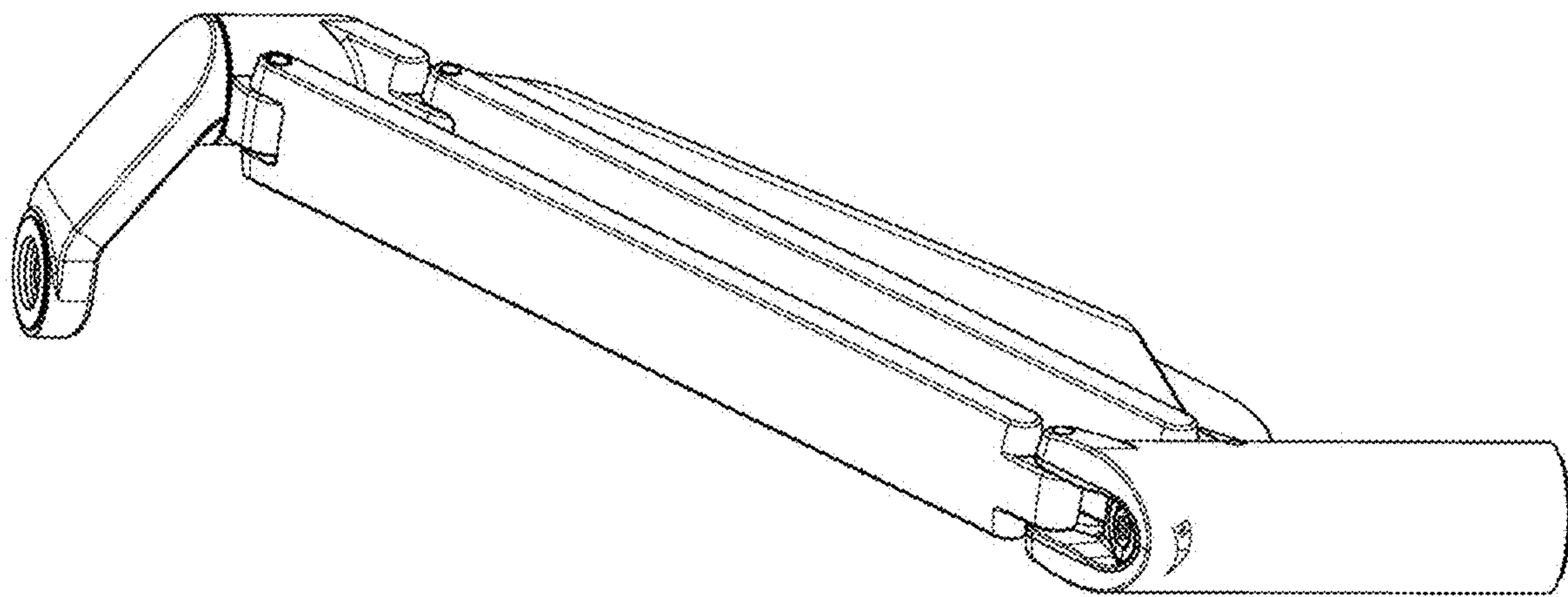
5.3



5.4

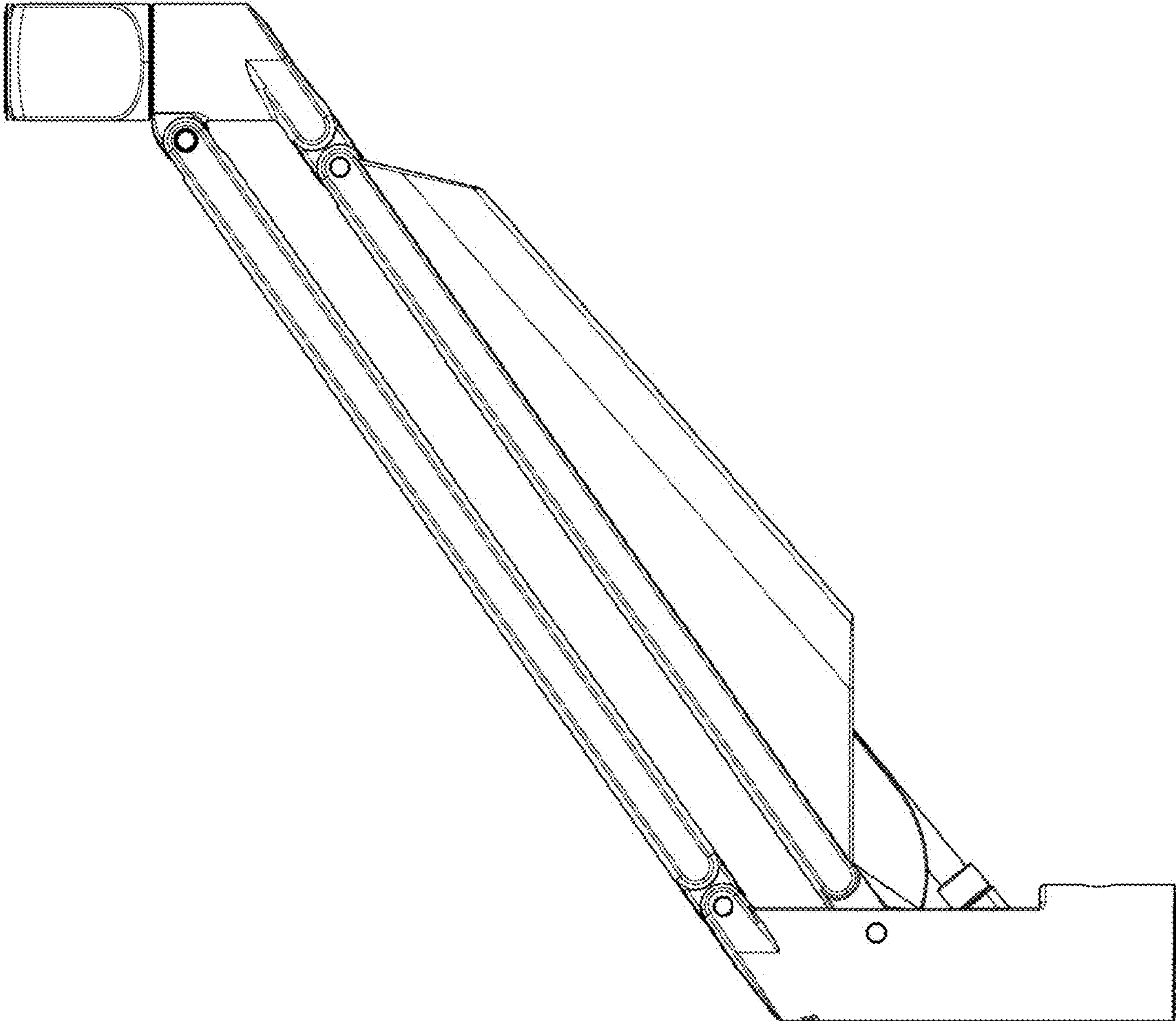


5.5



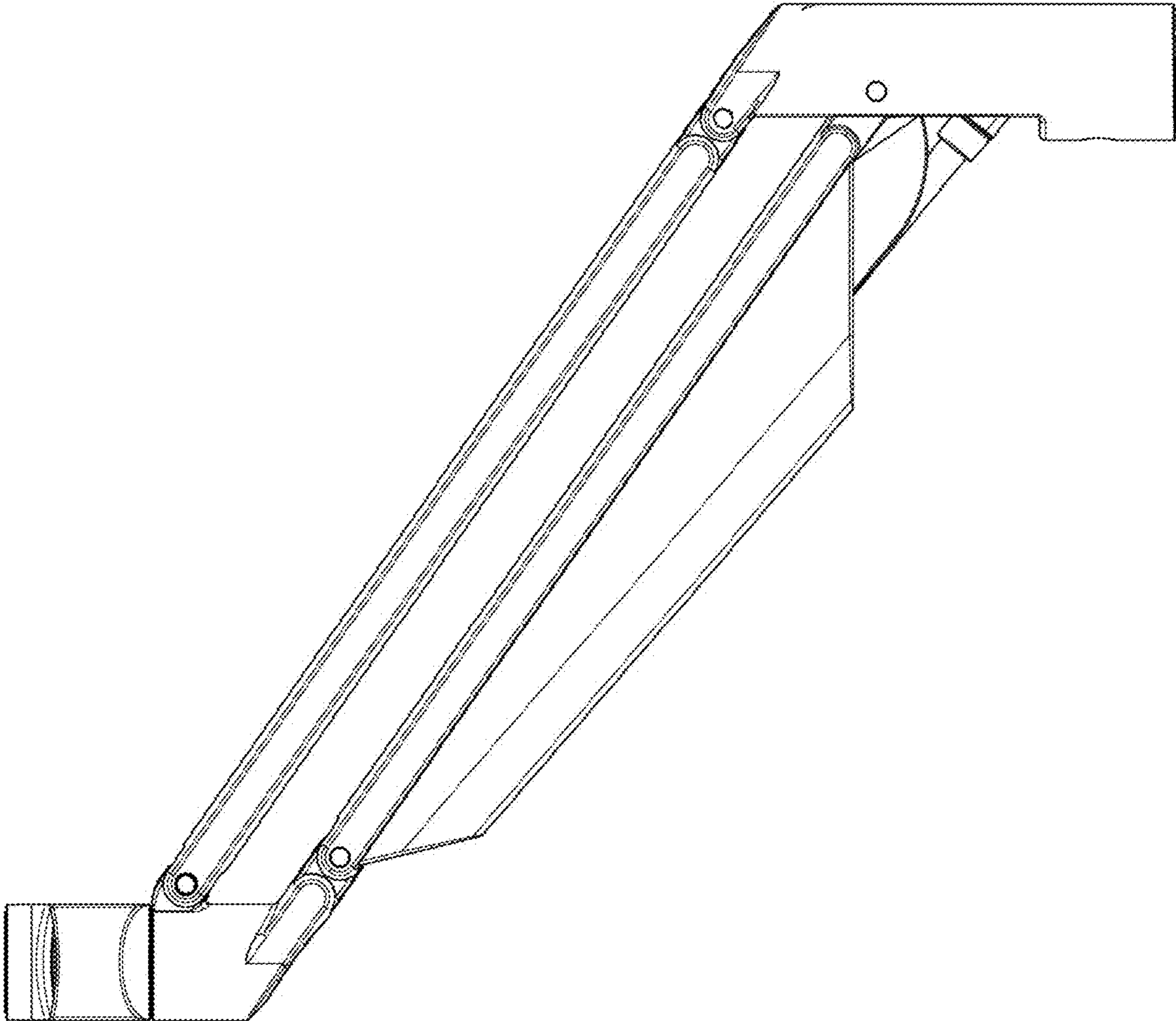


5.6

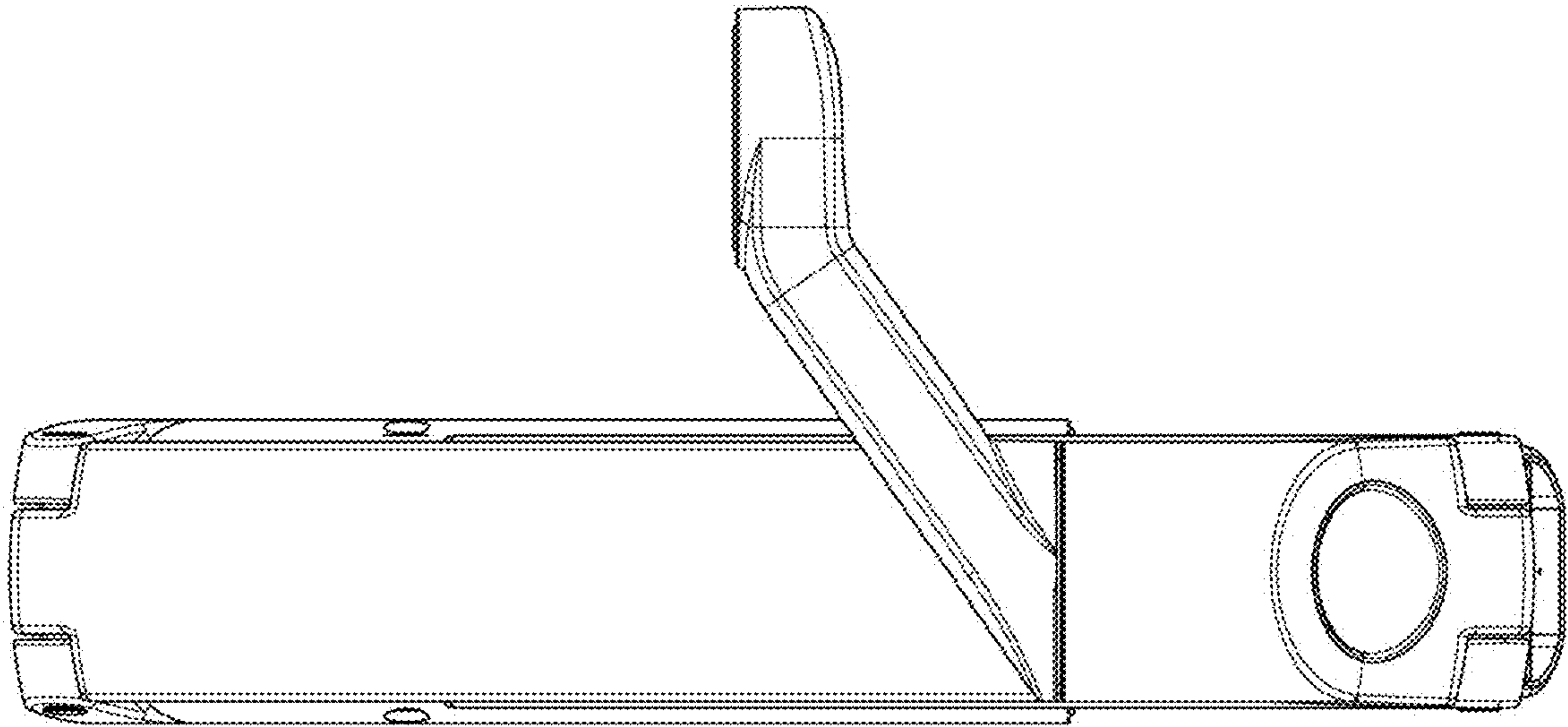




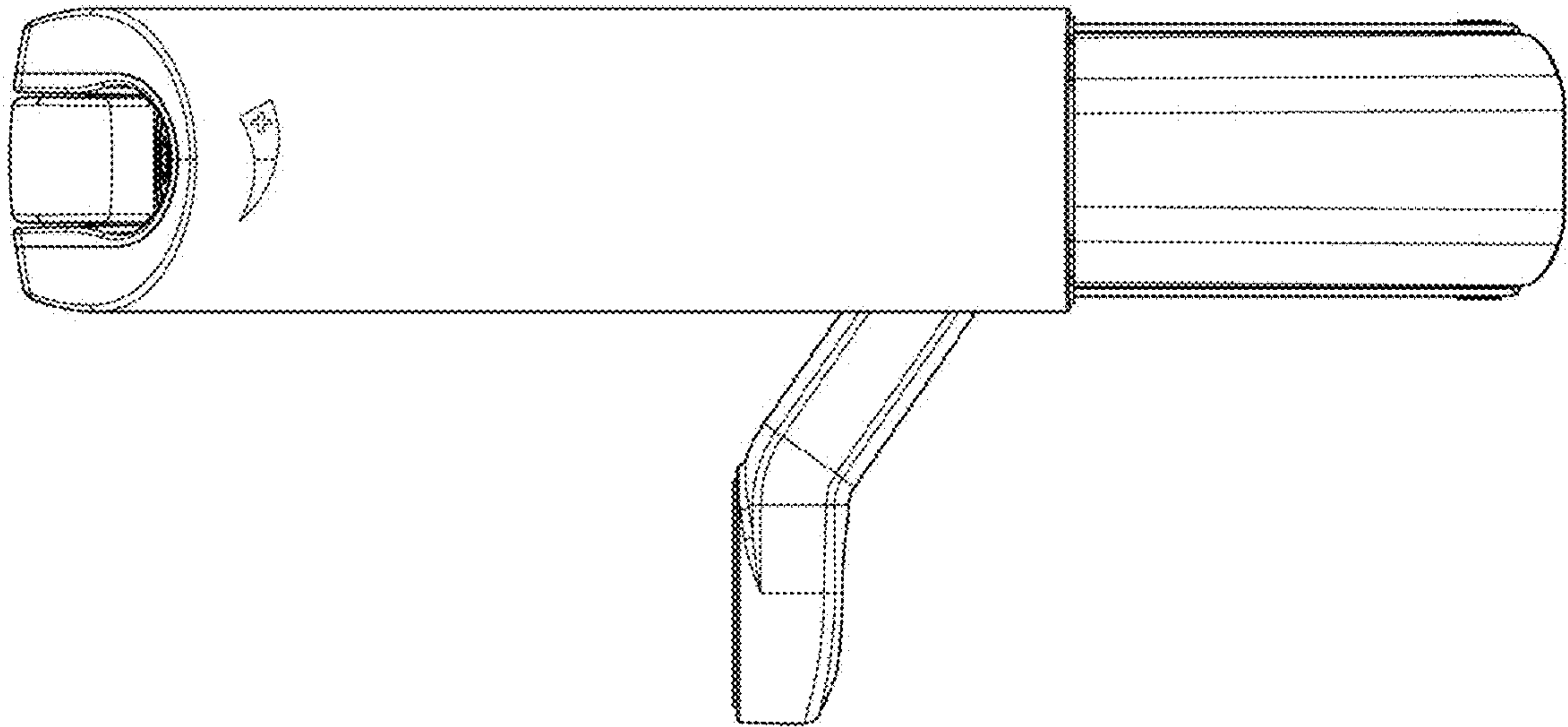
5.7



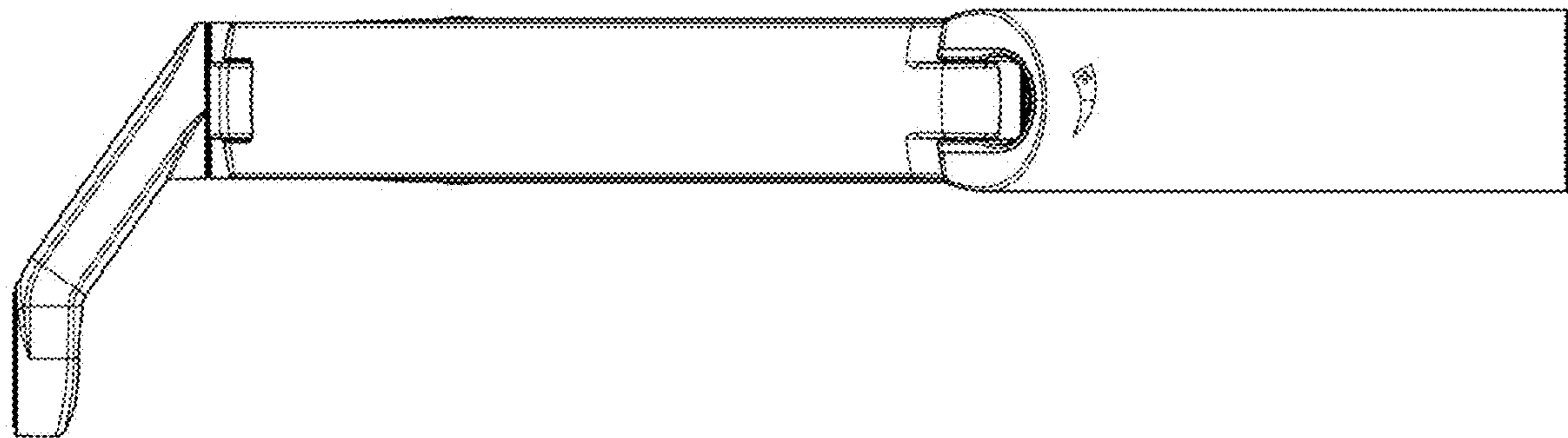
5.8



5.9

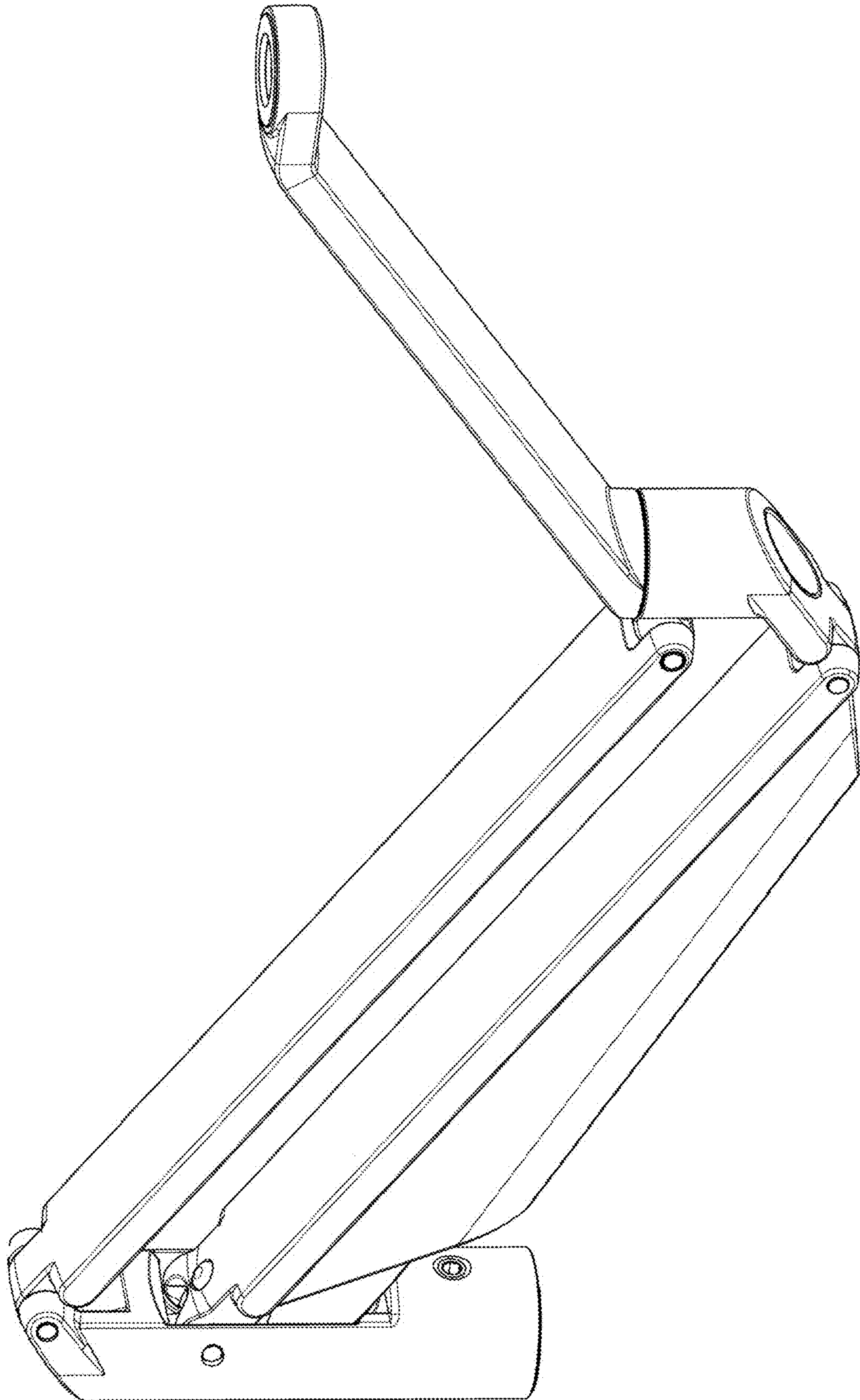


5.10

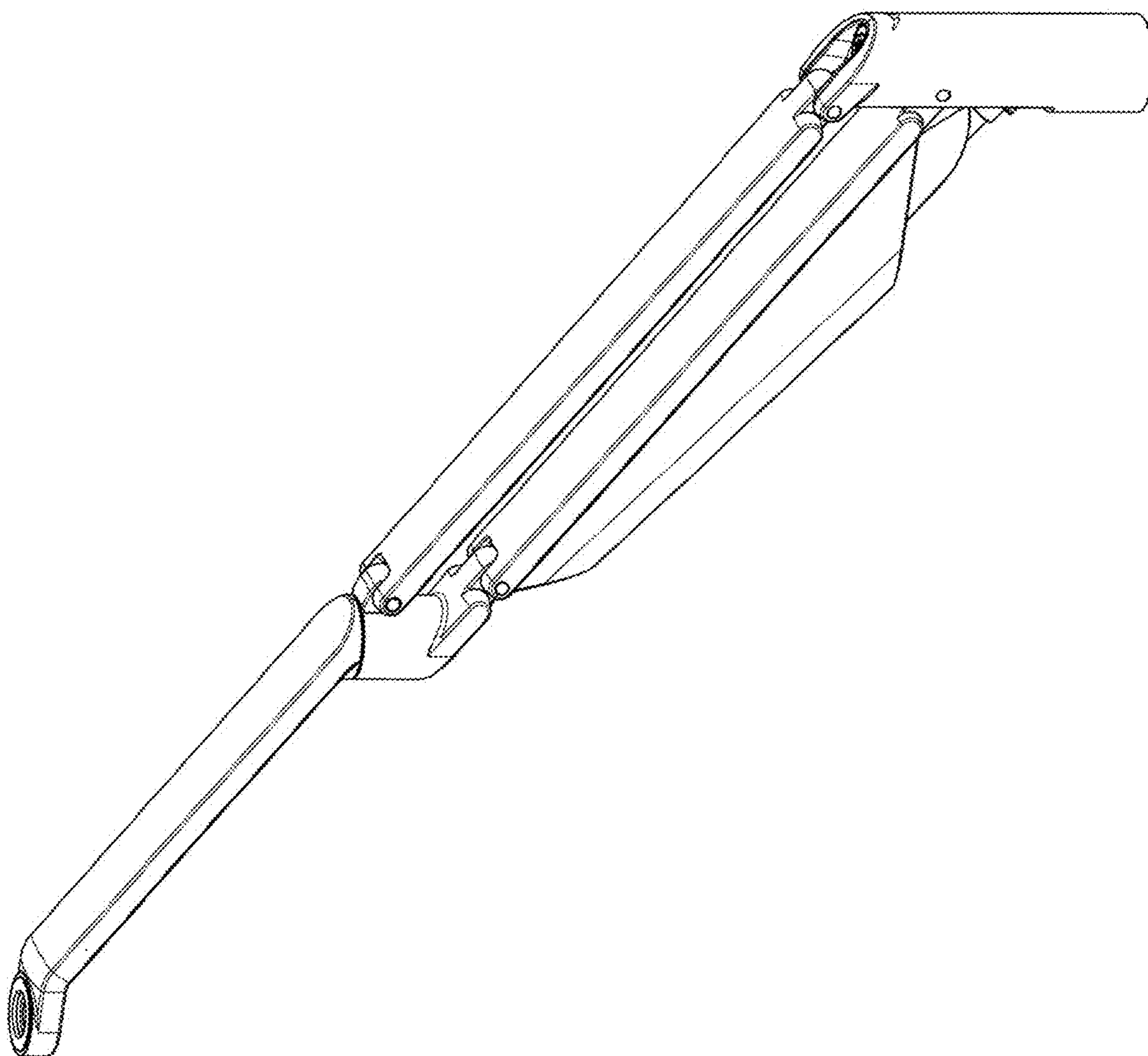




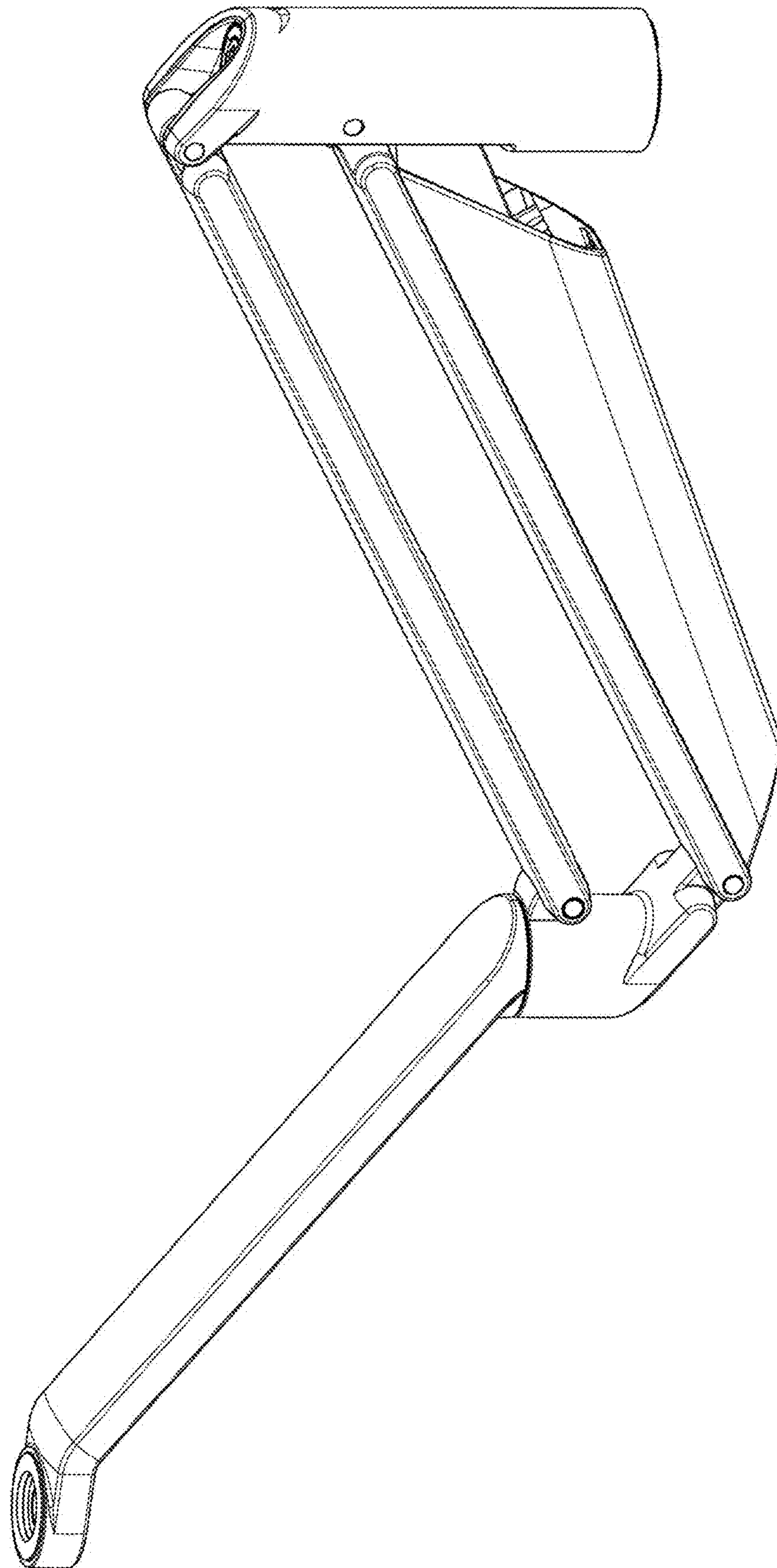
7.1



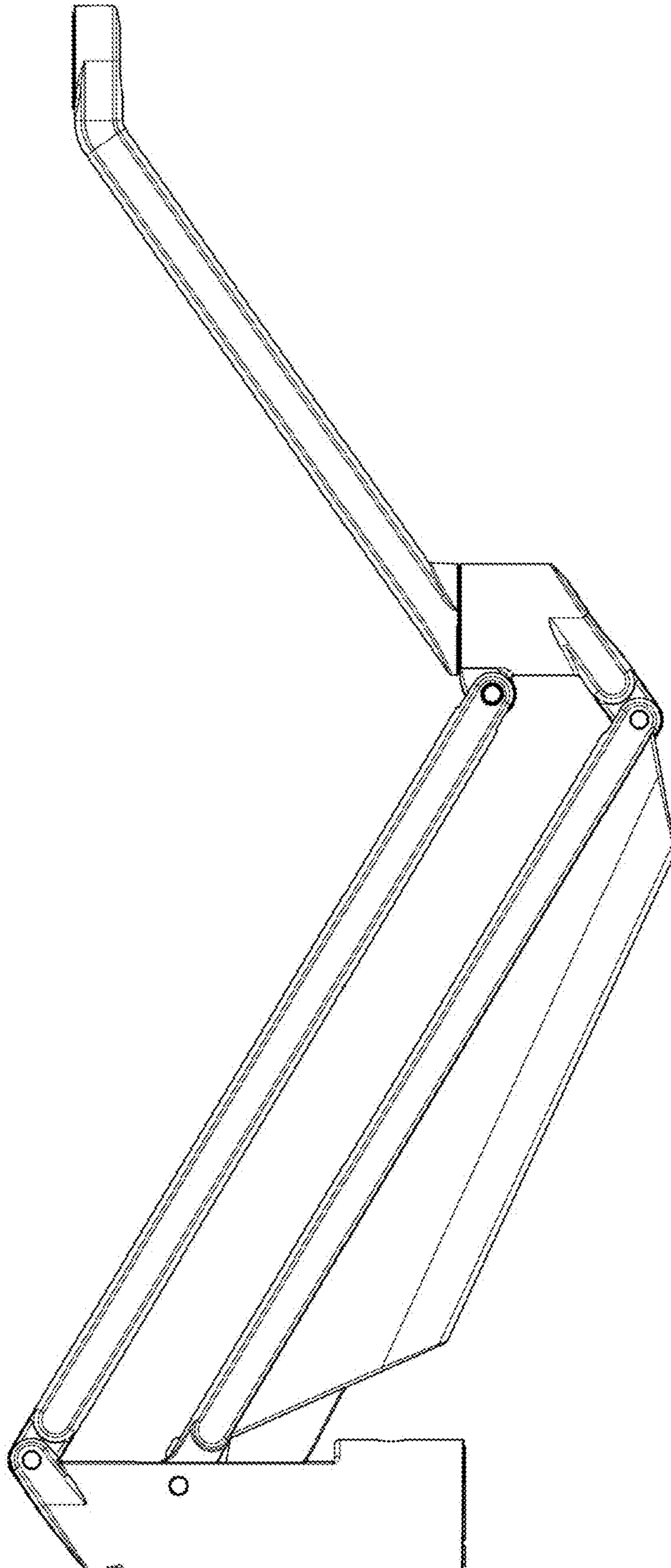
7.2



7.3

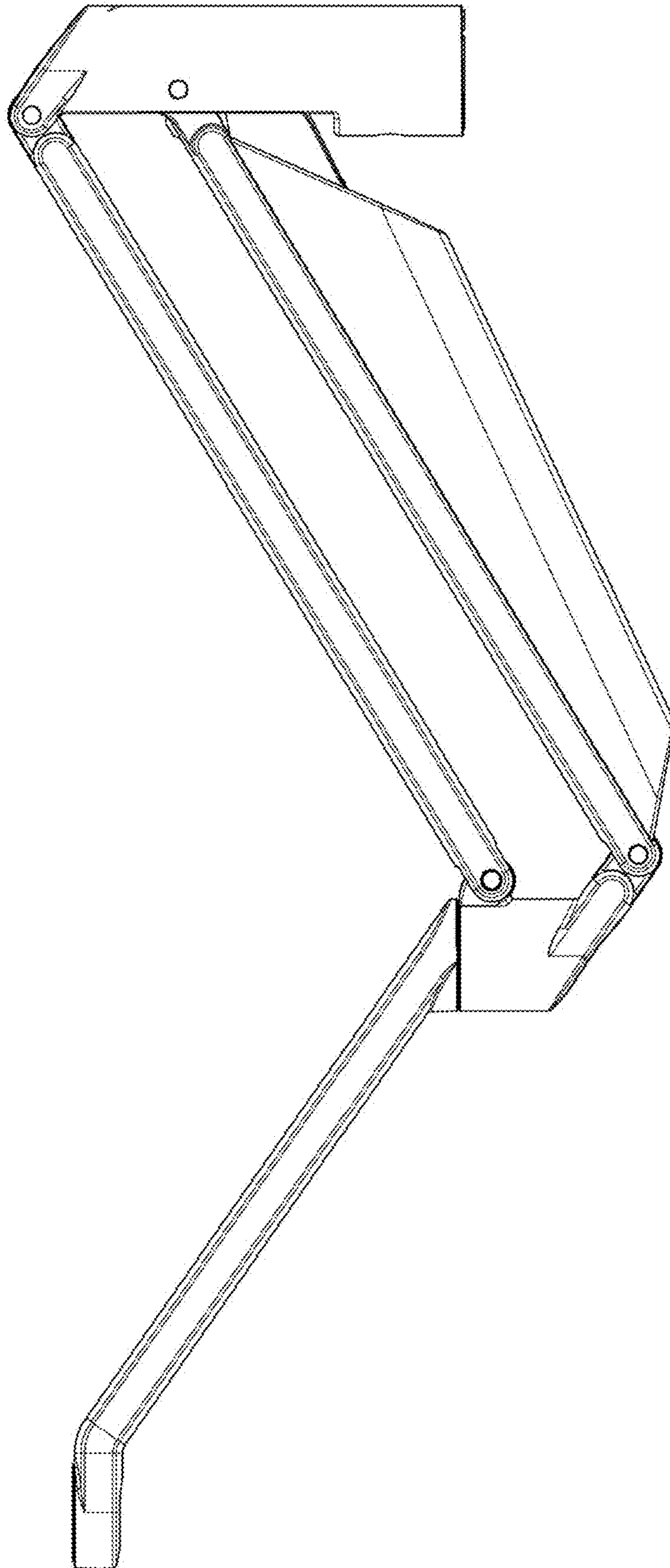


7.4

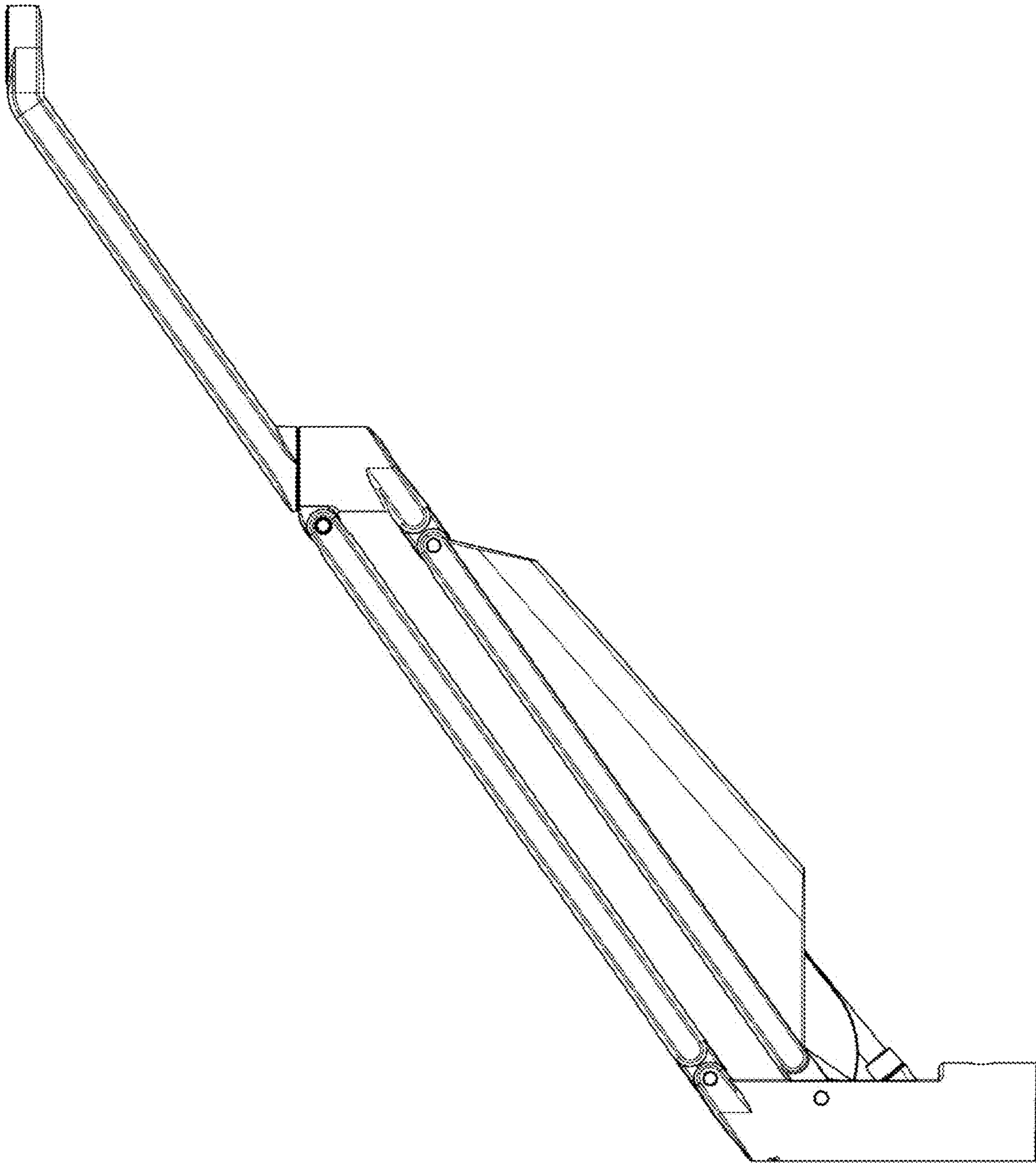




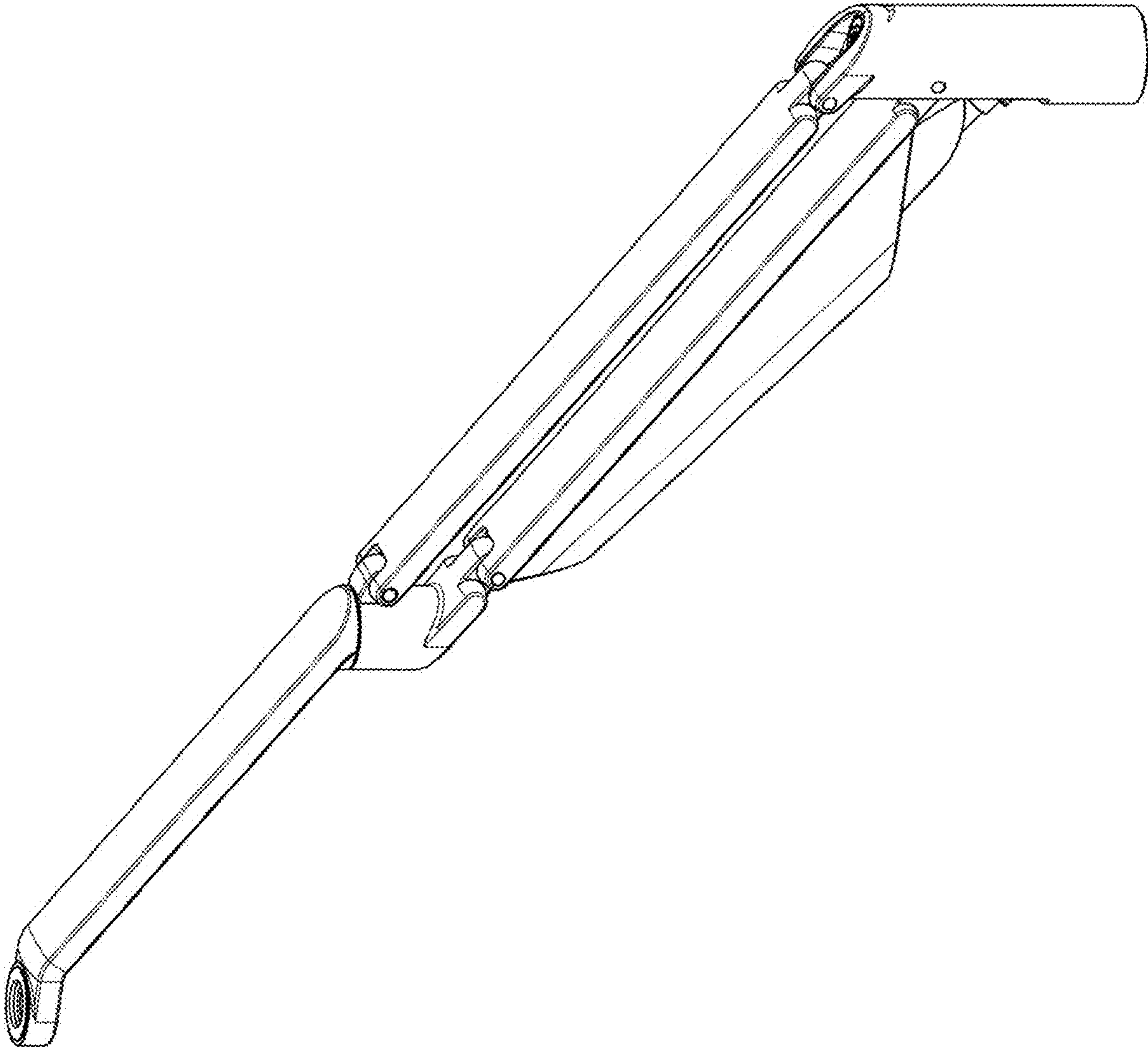
7.5



7.6



7.7



7.8

