



US00D928793S

(12) **United States Design Patent** (10) **Patent No.:** **US D928,793 S**
Shu (45) **Date of Patent:** **** Aug. 24, 2021**

(54) **DUAL ARM MONITOR STAND**

FOREIGN PATENT DOCUMENTS

(71) Applicant: **Hua Shu**, Shenzhen (CN)

GB 6035314 * 5/2018

(72) Inventor: **Hua Shu**, Shenzhen (CN)

OTHER PUBLICATIONS

(**) Term: **15 Years**

Amazon. Link: https://www.amazon.com/dp/B084JD96TB/ref=cm_sw_em_r_mt_dp_uzm6FbADV3RCB. Apr. 1, 2020. ErGear 22-35 Premium Dual Monitor Stand Mount. (Year: 2020).*

(21) Appl. No.: **29/741,126**

(Continued)

(22) Filed: **Jul. 9, 2020**

(51) **LOC (13) Cl.** **14-02**

Primary Examiner — Lauren D McVey

(52) **U.S. Cl.**

USPC **D14/452**

(58) **Field of Classification Search**

USPC D14/447–452, 239, 371, 372, 373, 374, D14/125, 127, 128, 129, 335–337, 375, D14/376, 377, 341, 126; D8/355, 363, D8/373; D6/672, 682

CPC F16M 11/2085; F16M 11/2092; F16M 11/2007; F16M 11/2014; F16M 11/2021; F16M 11/105; F16M 11/10; F16M 11/048; F16M 11/12; F16M 13/022

See application file for complete search history.

(57) **CLAIM**

The ornamental design for a dual arm monitor stand, as shown and described.

DESCRIPTION

FIG. 1 is a perspective view of a dual arm monitor stand showing my new design in a first configuration; FIG. 2 is a perspective view of the dual arm monitor stand in a second configuration; FIG. 3 is a front elevational view of FIG. 1; FIG. 4 is a rear elevational view thereof; FIG. 5 is a left side elevational view thereof; FIG. 6 is a right side elevational view thereof; FIG. 7 is a top plan view thereof; and, FIG. 8 is a bottom plan view thereof.

The broken lines immediately adjacent to the claim depict the bounds of the claimed design, while all other broken lines are directed to environment. The broken lines form no part of the claimed design. The wire frame lines shown throughout the views indicate surface contour. The “NB North Bayou” lettering and icon forming part of the disclosure is a registered trademark of KUNSHAN HONGJIE ELECTRONICS CO., LTD.

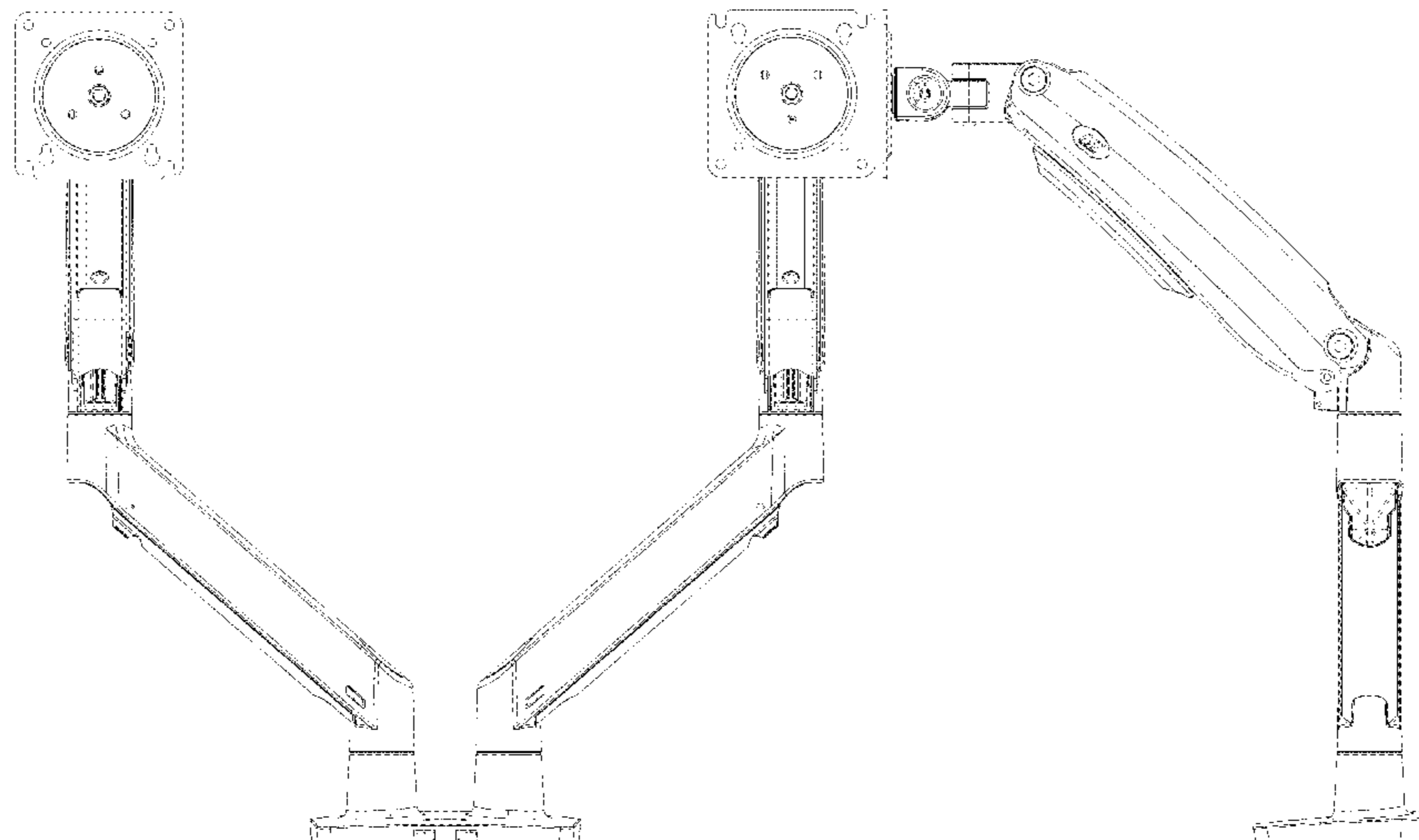
(56) **References Cited**

U.S. PATENT DOCUMENTS

6,695,270 B1 * 2/2004 Smed F16M 11/10
248/274.1
D652,423 S * 1/2012 Sapper D14/452
D660,307 S * 5/2012 Huang
RE43,921 E * 1/2013 Smed F16M 11/10
248/274.1
D740,830 S * 10/2015 Chu D14/452
D788,783 S * 6/2017 Kulkarni et al.
9,797,544 B1 * 10/2017 Smed F16M 11/2085
D822,671 S * 7/2018 Chu D14/452
D847,823 S * 5/2019 Monsalve D14/452
10,520,131 B2 * 12/2019 Burke F16M 11/045
D920,988 S * 6/2021 Shu D14/452
2012/0025037 A1 * 2/2012 Chang F16M 11/2014
248/124.1
2014/0117182 A1 * 5/2014 Blackburn F16M 11/18
248/298.1

(Continued)

1 Claim, 8 Drawing Sheets



(56)

References Cited

U.S. PATENT DOCUMENTS

2016/0352054 A1* 12/2016 Xiang F16M 11/2007
2019/0301670 A1* 10/2019 Glickstein F16M 13/02
2020/0103070 A1* 4/2020 Chen F16M 11/2064

OTHER PUBLICATIONS

Amazon. Link: https://www.amazon.com/dp/B0872SFZKX/ref=cm_sw_em_r_mt_dp_NDm6FbXBA6NDM. Apr. 14, 2020. NB North Bayou Dual Monitor Desk Mount Stand. (Year: 2020).*

Amazon. Link: https://www.amazon.com/dp/B07X262MRK/ref=cm_sw_em_r_mt_dp_cZK0FbVZMGZ5W?_encoding=UTF8&psc=1. Aug. 29, 2019. HUANUO Dual Monitor Mount Stand—Long Double Arm Gas Spring Monitor Desk Mount. (Year: 2019).*

Amazon. Link: https://www.amazon.com/dp/B08G89Q4QL/ref=cm_sw_em_r_mt_dp_eEI0FbXNKTDZ?_encoding=UTF8&psc=1. Aug. 19, 2020. Glorider Aluminum Dual Monitor Mount Stand. (Year: 2020).*

* cited by examiner

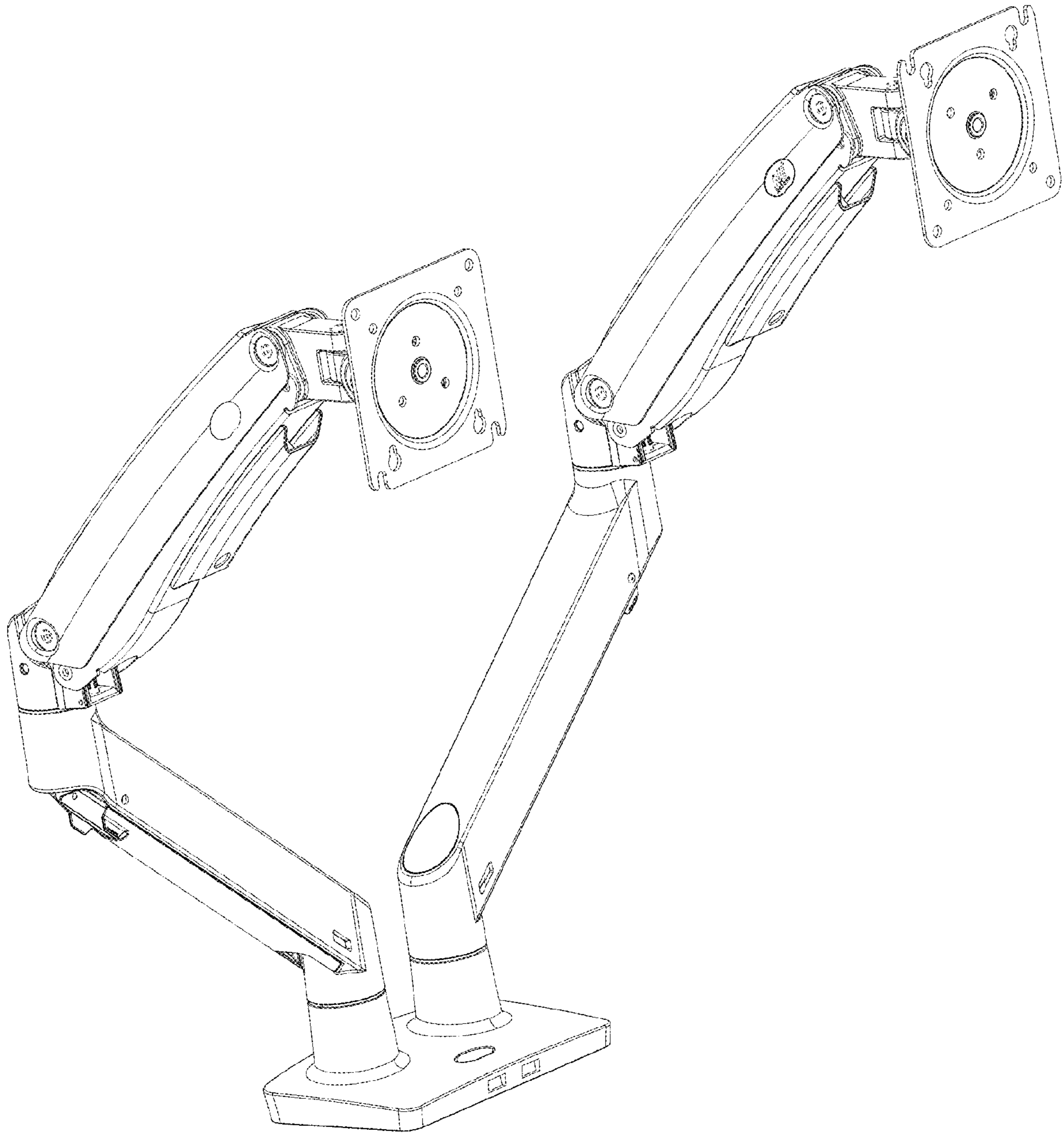


FIG. 1

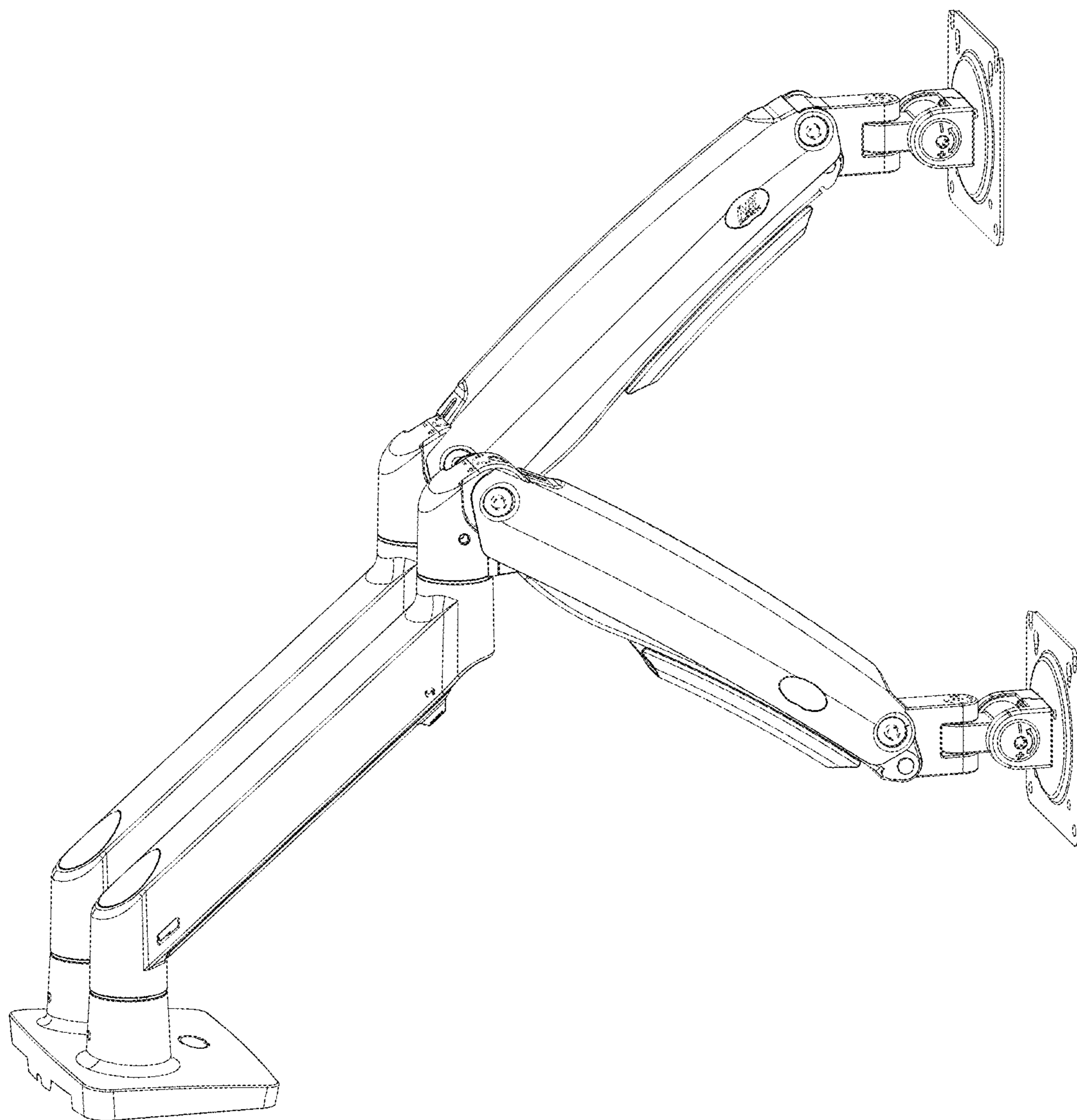


FIG. 2

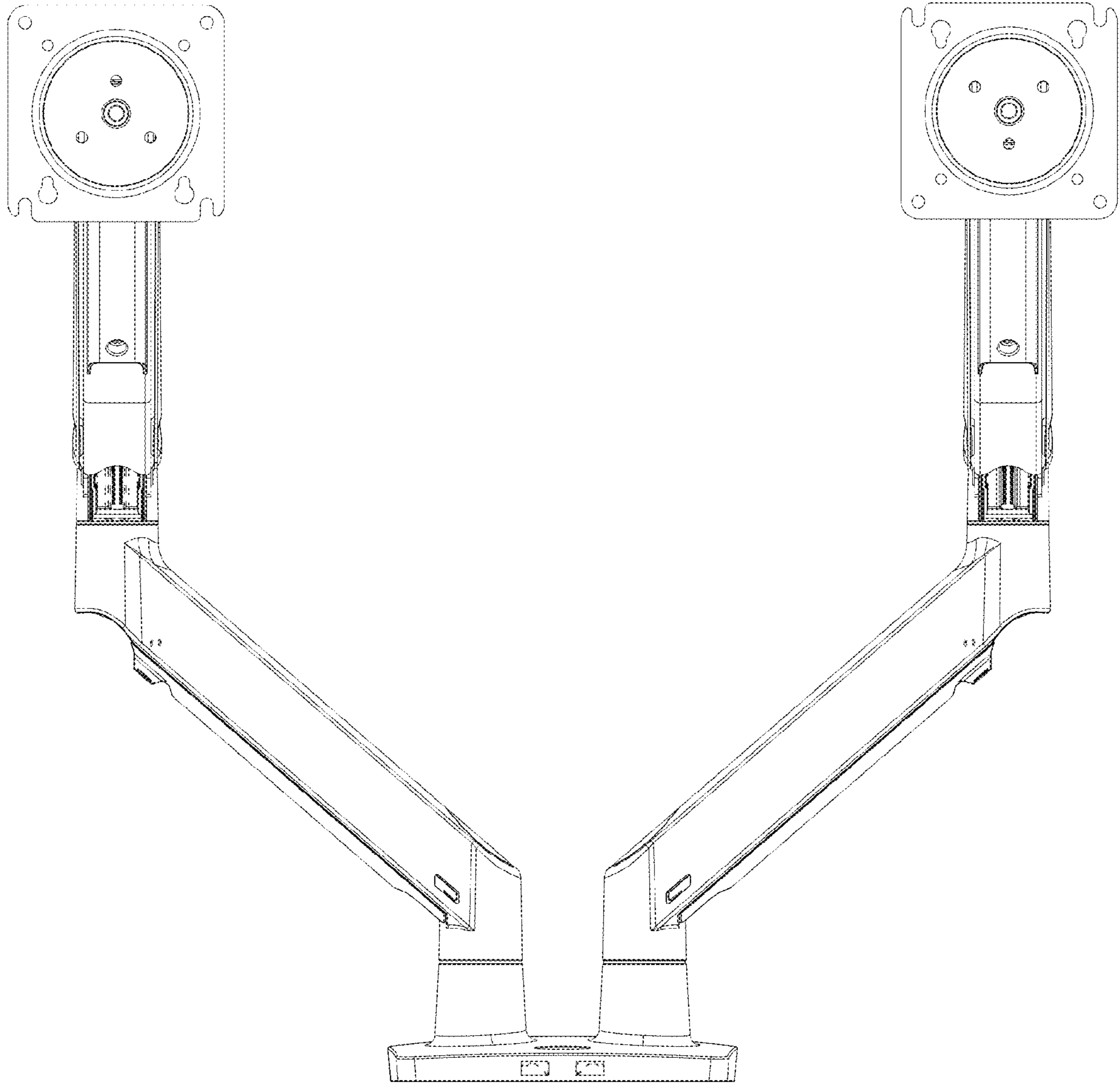


FIG. 3

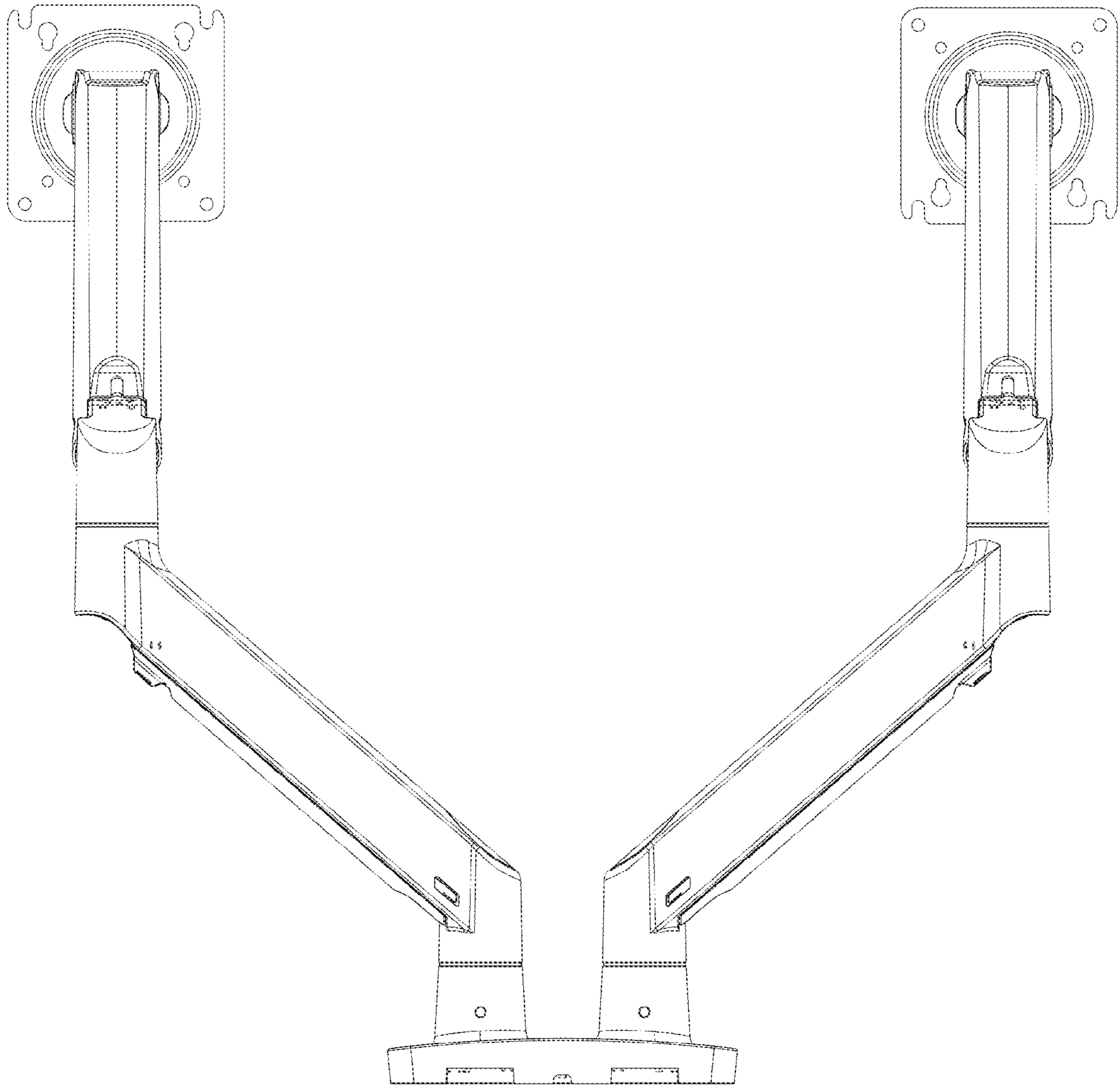


FIG. 4

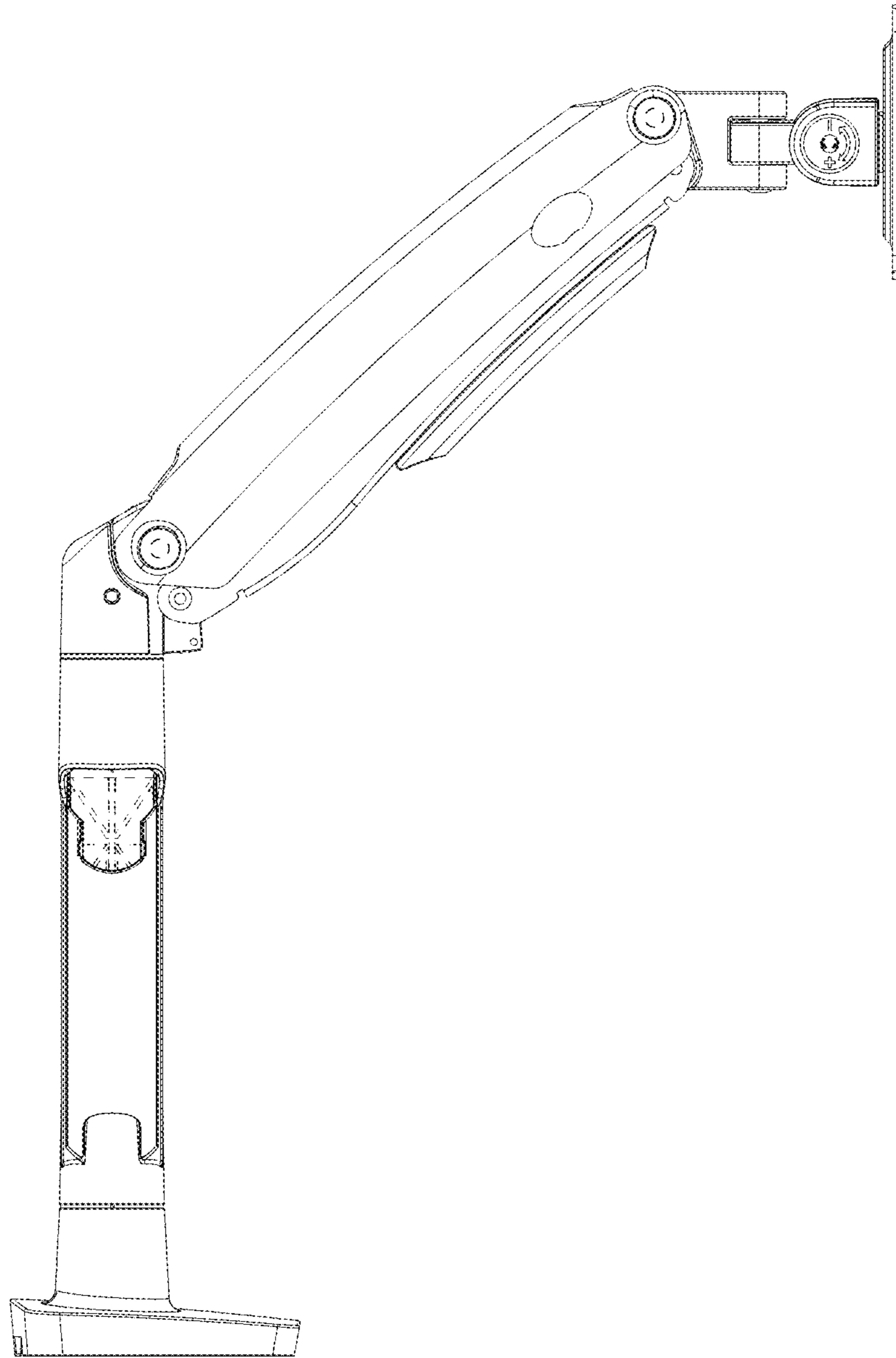


FIG. 5

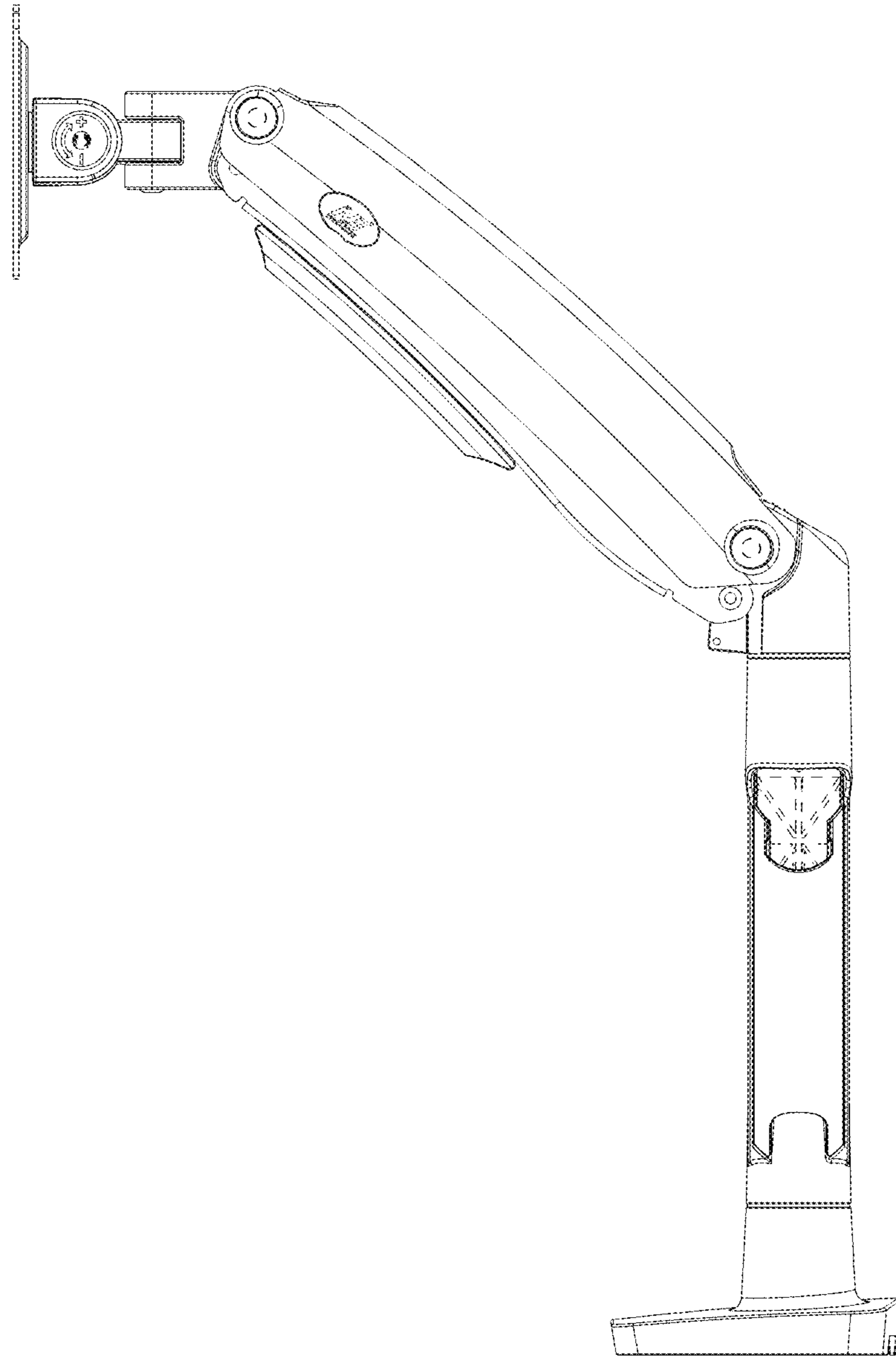


FIG. 6

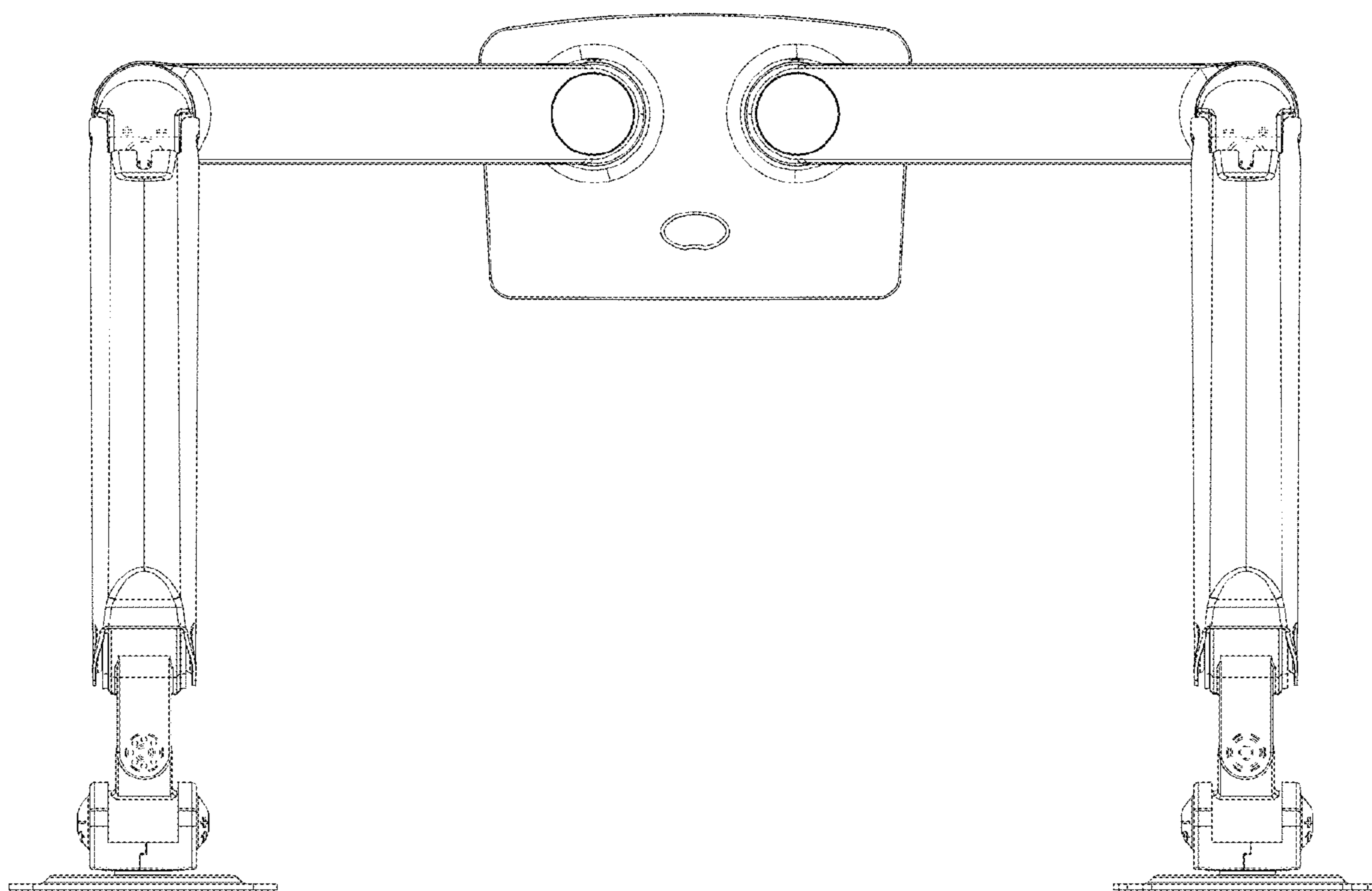


FIG. 7

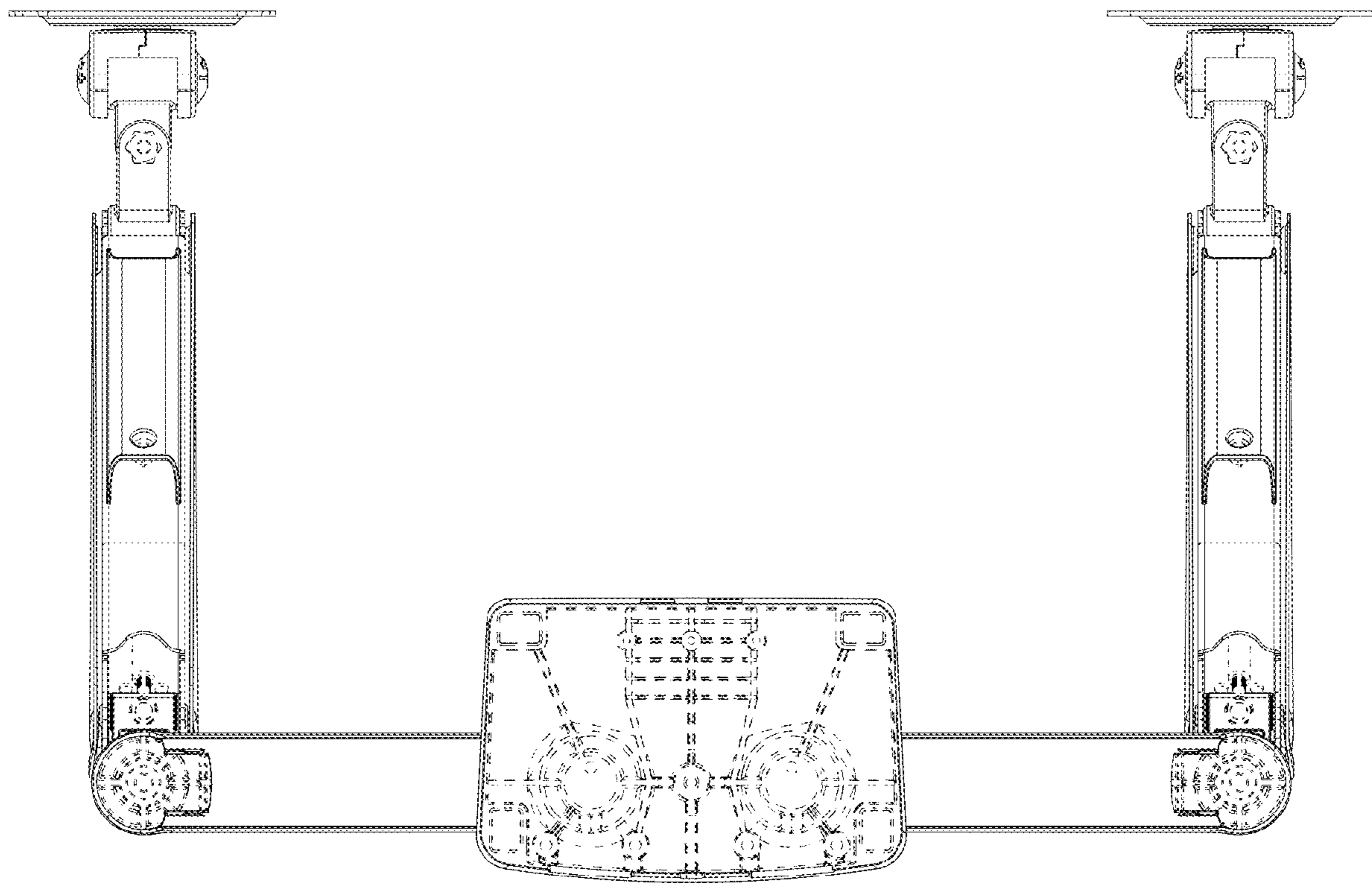


FIG. 8