



US00D928792S

(12) **United States Design Patent** (10) **Patent No.:** **US D928,792 S**  
**Lee** (45) **Date of Patent:** **\*\* Aug. 24, 2021**

(54) **STAND FOR ELECTRONIC DEVICES**

(71) Applicant: **ELAGO CO. LTD**, Goyang-si (KR)

(72) Inventor: **Chanwoo Lee**, Goyang-si (KR)

(73) Assignee: **elago CO. LTD**, Goyang-si (KR)

(\*\*) Term: **15 Years**

(21) Appl. No.: **29/778,928**

(22) Filed: **Apr. 15, 2021**

(51) **LOC (13) Cl.** ..... **08-07**

(52) **U.S. Cl.**  
USPC ..... **D14/447**

(58) **Field of Classification Search**  
USPC ..... D14/447, 432, 434, 439, 440, 451, 452,  
D14/457, 239, 253; D8/363, 373, 380;  
D6/406.3, 406.4, 406.5, 406.6; D12/415;  
D13/108  
CPC ..... A47B 21/04; A47B 2097/006; A47B  
2097/005; A47B 2023/049; A45C  
2011/002; A45C 2011/003; F16M  
2200/00; F16M 13/00

See application file for complete search history.

(56) **References Cited**

**U.S. PATENT DOCUMENTS**

- D704,632 S \* 5/2014 On ..... D13/108
- D717,783 S \* 11/2014 Gelsomini ..... D14/253
- D722,062 S \* 2/2015 Zwerner ..... D14/447
- D789,885 S 6/2017 Yue et al.
- D799,463 S 10/2017 Deng
- D813,805 S \* 3/2018 Zhong ..... D13/108
- D824,916 S \* 8/2018 Chen ..... D14/447
- D825,575 S 8/2018 Gao
- D840,997 S 2/2019 Chen
- D845,308 S 4/2019 Ma
- D850,437 S \* 6/2019 Wang ..... D14/253
- D855,566 S 8/2019 Chen

- D864,946 S \* 10/2019 Zhang ..... D14/253
- D873,216 S \* 1/2020 Zhang ..... D13/108
- D881,123 S \* 4/2020 Zhang ..... D13/108
- D884,621 S \* 5/2020 Feng ..... D13/108
- D884,622 S \* 5/2020 Huang ..... D13/108
- D884,625 S 5/2020 Li
- D886,051 S 6/2020 Chen

(Continued)

**FOREIGN PATENT DOCUMENTS**

- CN 303877065 10/2016
- CN 304072428 3/2017

(Continued)

*Primary Examiner* — Angela J Lee

(74) *Attorney, Agent, or Firm* — Paratus Law Group, PLLC

(57) **CLAIM**

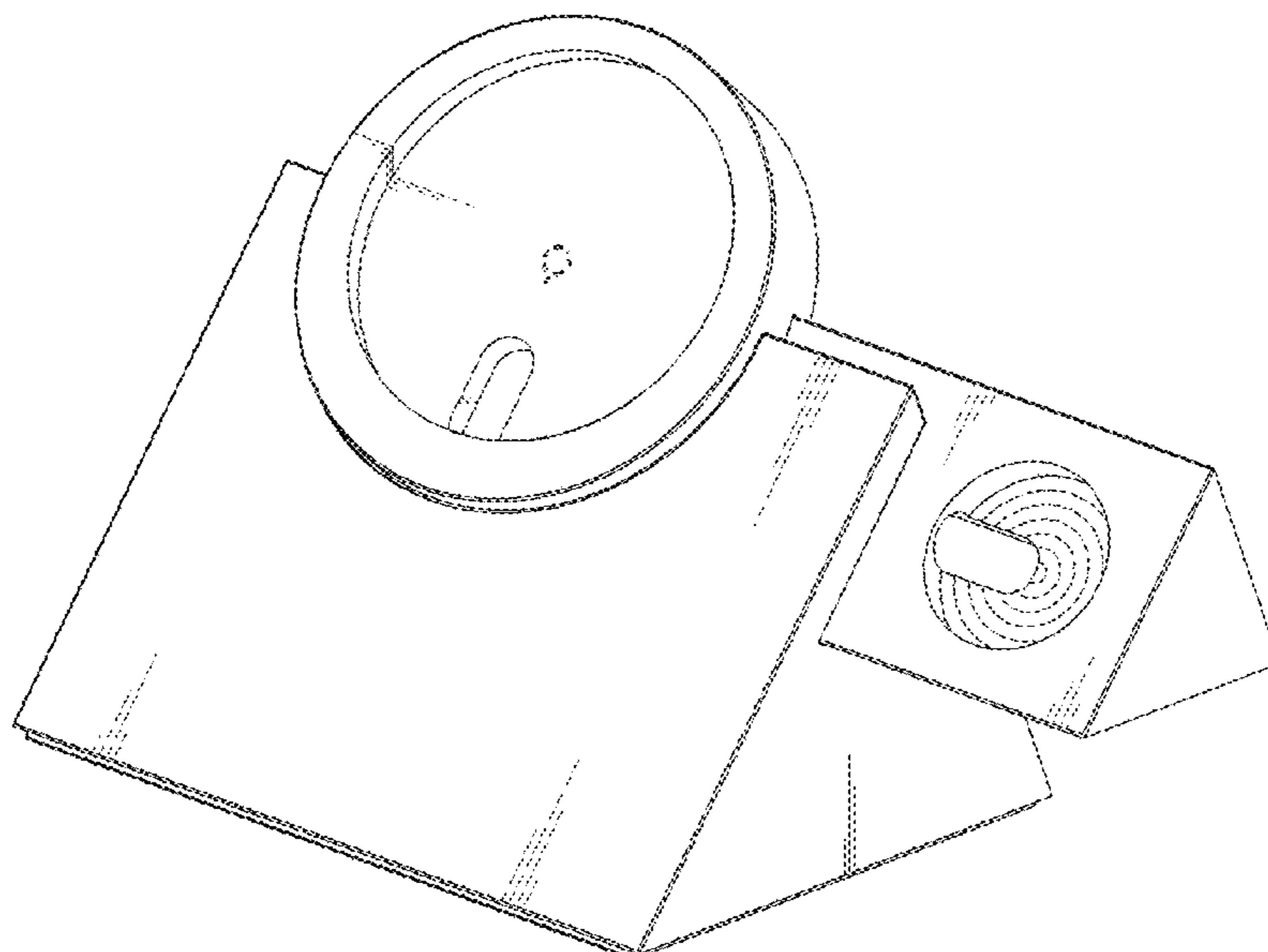
The ornamental design for a stand for electronic devices, as shown and described.

**DESCRIPTION**

FIG. 1 is a front, top, and right-side perspective view of a stand for electronic devices showing my new design;  
 FIG. 2 is a front view thereof;  
 FIG. 3 is a back view thereof;  
 FIG. 4 is a left-side view thereof;  
 FIG. 5 is a right-side view thereof;  
 FIG. 6 is a top view thereof;  
 FIG. 7 is a bottom view thereof;  
 FIG. 8 is a back, bottom, and left-side perspective view thereof; and,  
 FIG. 9 is a front, top, and right-side perspective view thereof in use.

The broken lines shown in FIGS. 1, 2, and 6-8 depict parts of the stand for electronic devices and form no part of the claimed design. The broken lines shown in FIG. 9 depict environment and form no part of the claimed design.

**1 Claim, 6 Drawing Sheets**



(56)

**References Cited**

U.S. PATENT DOCUMENTS

D892,046 S 8/2020 Peng et al.  
D911,277 S 2/2021 Shang  
D915,277 S 4/2021 Peng et al.  
D919,611 S \* 5/2021 Wang ..... D14/253  
D920,239 S \* 5/2021 Cheng ..... D13/108  
2016/0261139 A1 9/2016 Kidakarn

FOREIGN PATENT DOCUMENTS

CN 304689668 6/2018  
CN 305851050 6/2020  
CN 306174874 11/2020  
CN 306241965 12/2020  
JP D1670929 10/2020  
WO WO 2019/178648 A1 9/2019

\* cited by examiner

FIG. 1

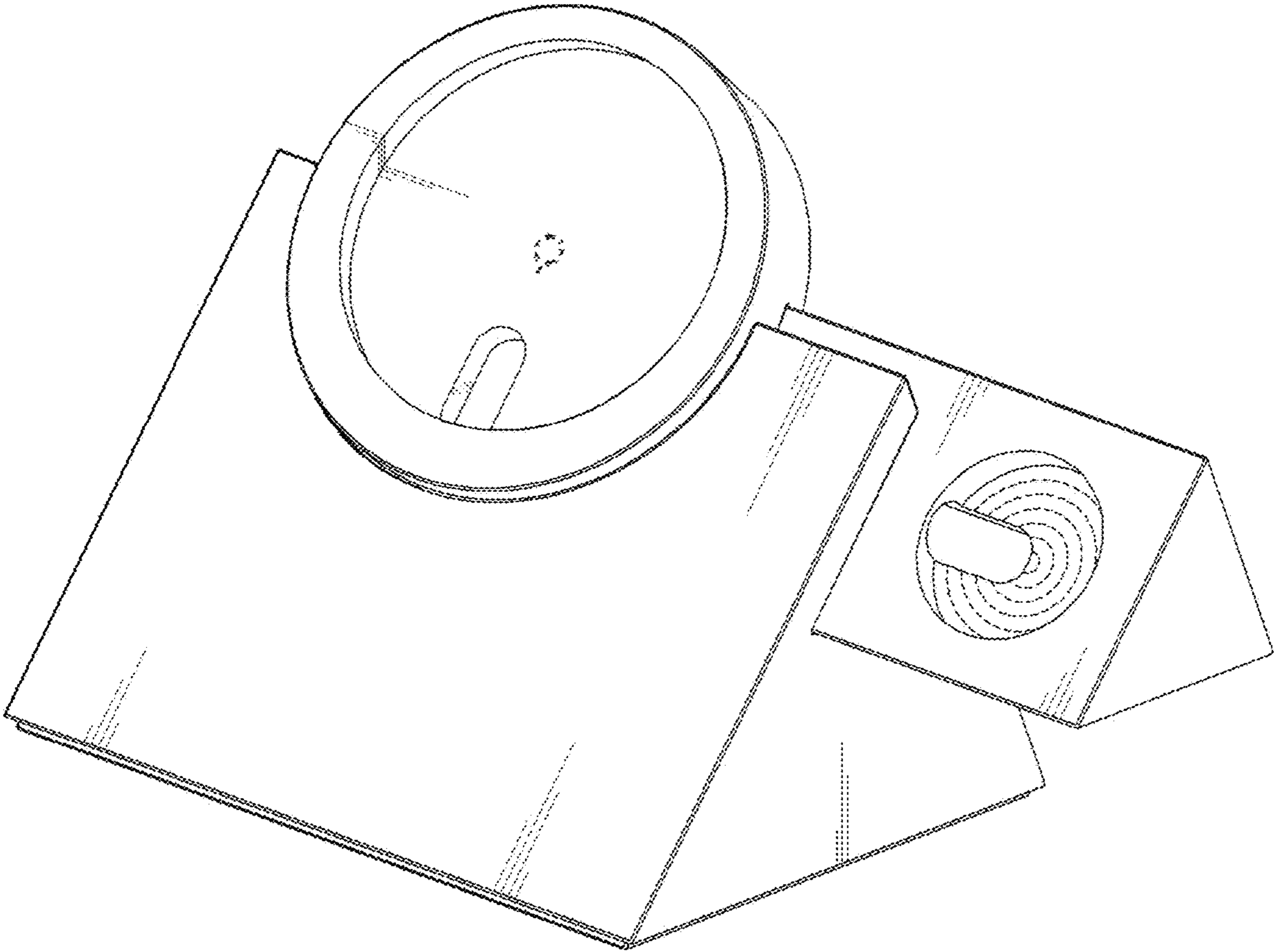


FIG. 2

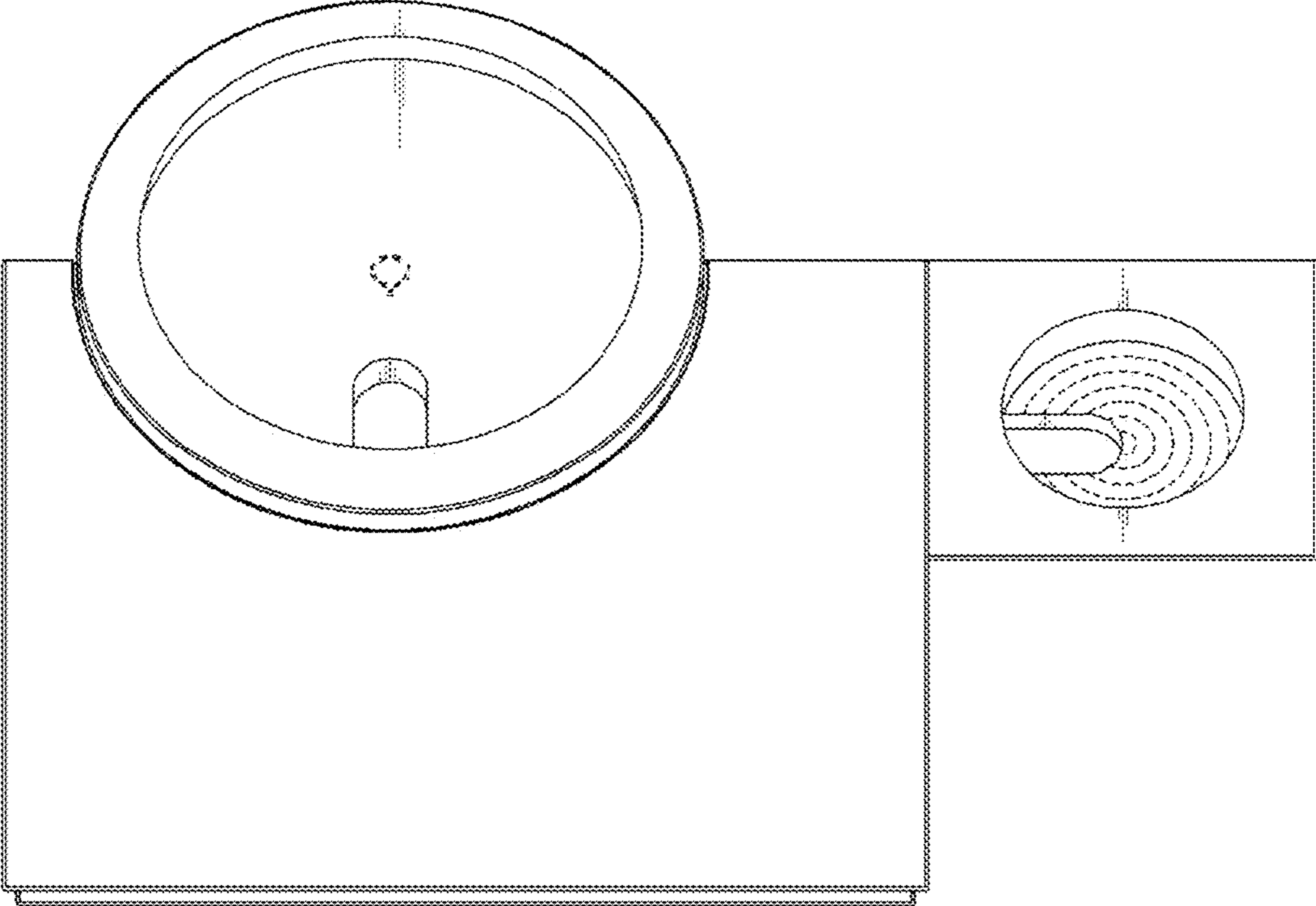


FIG. 3

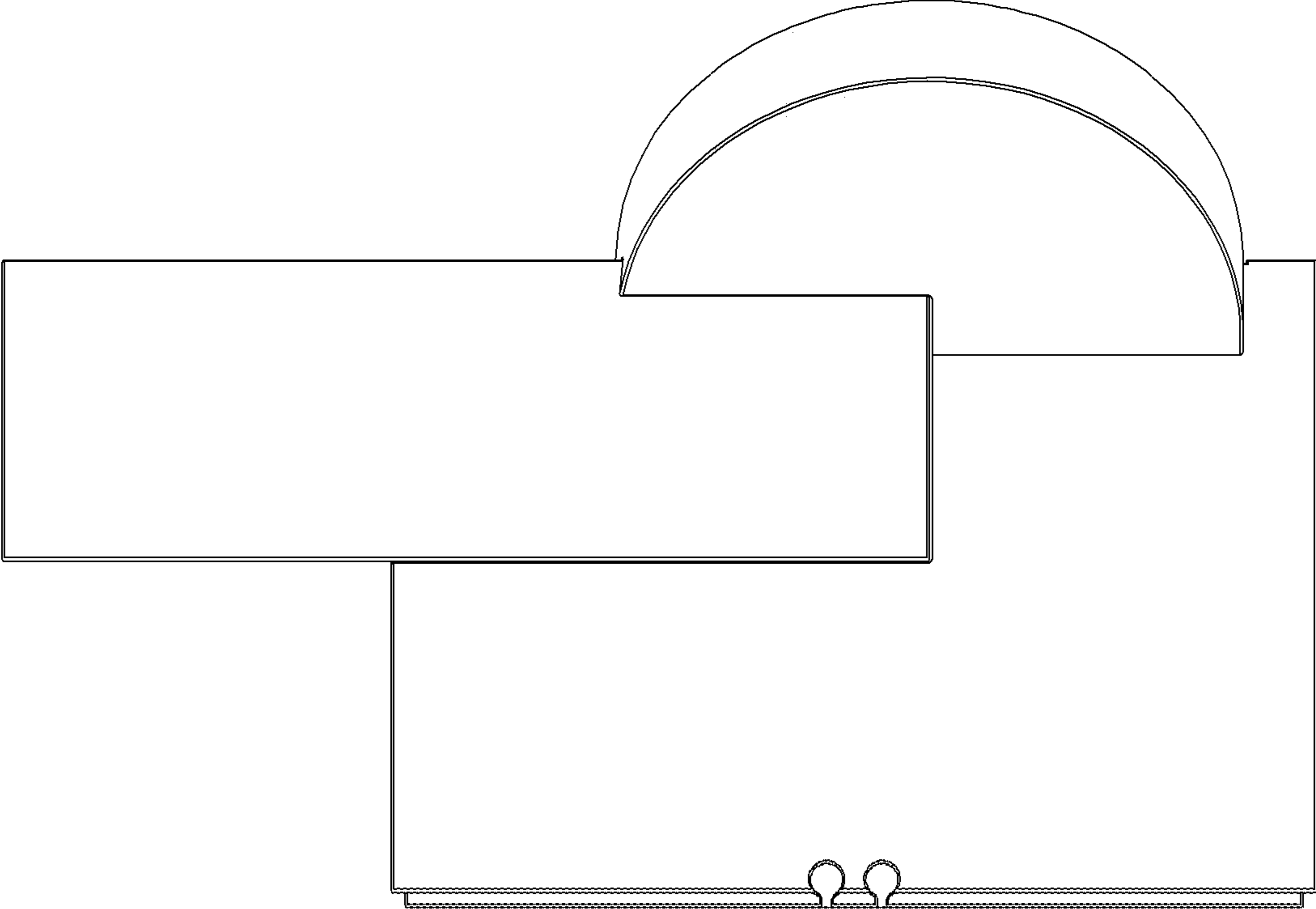


FIG. 4

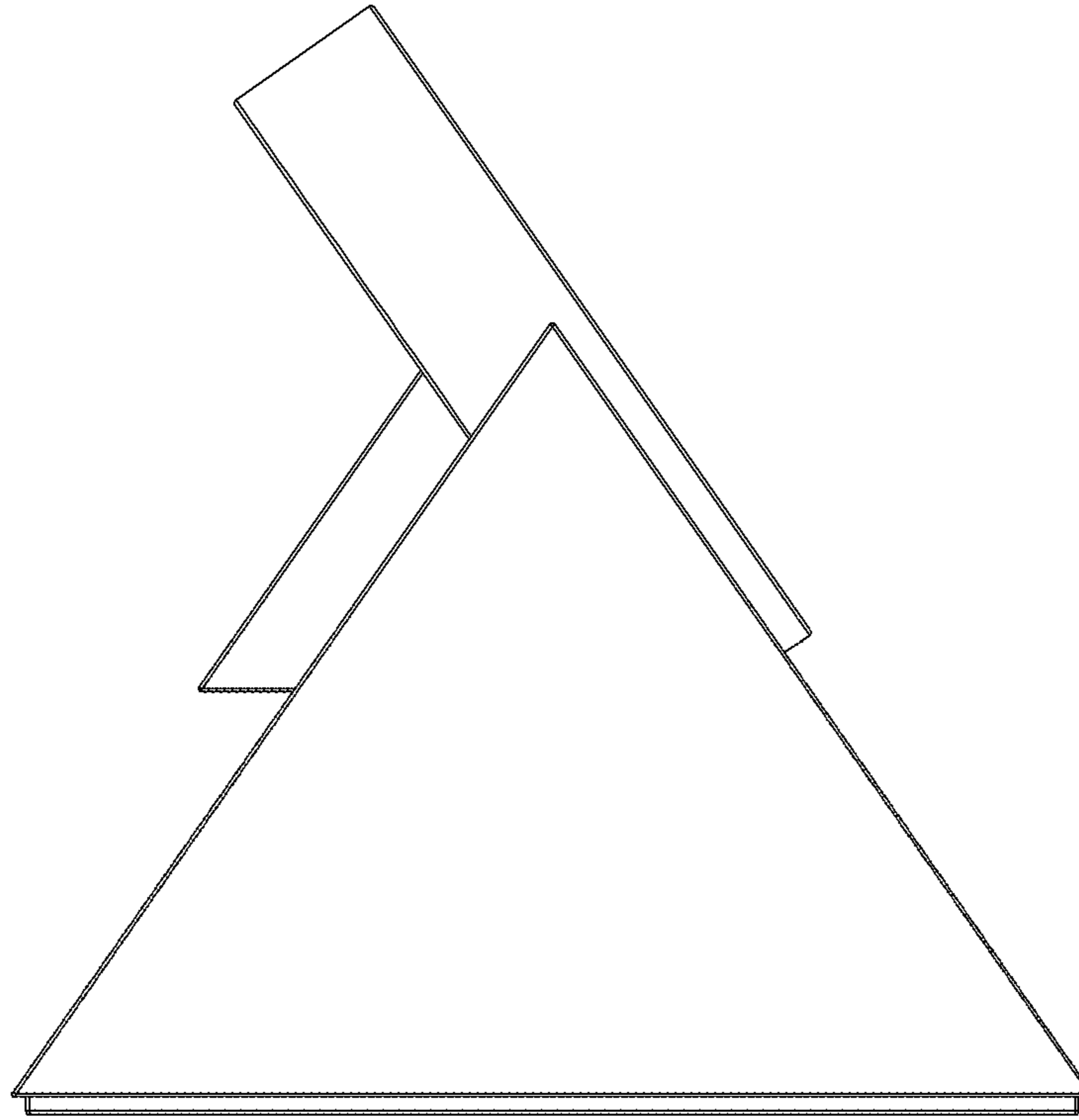


FIG. 5

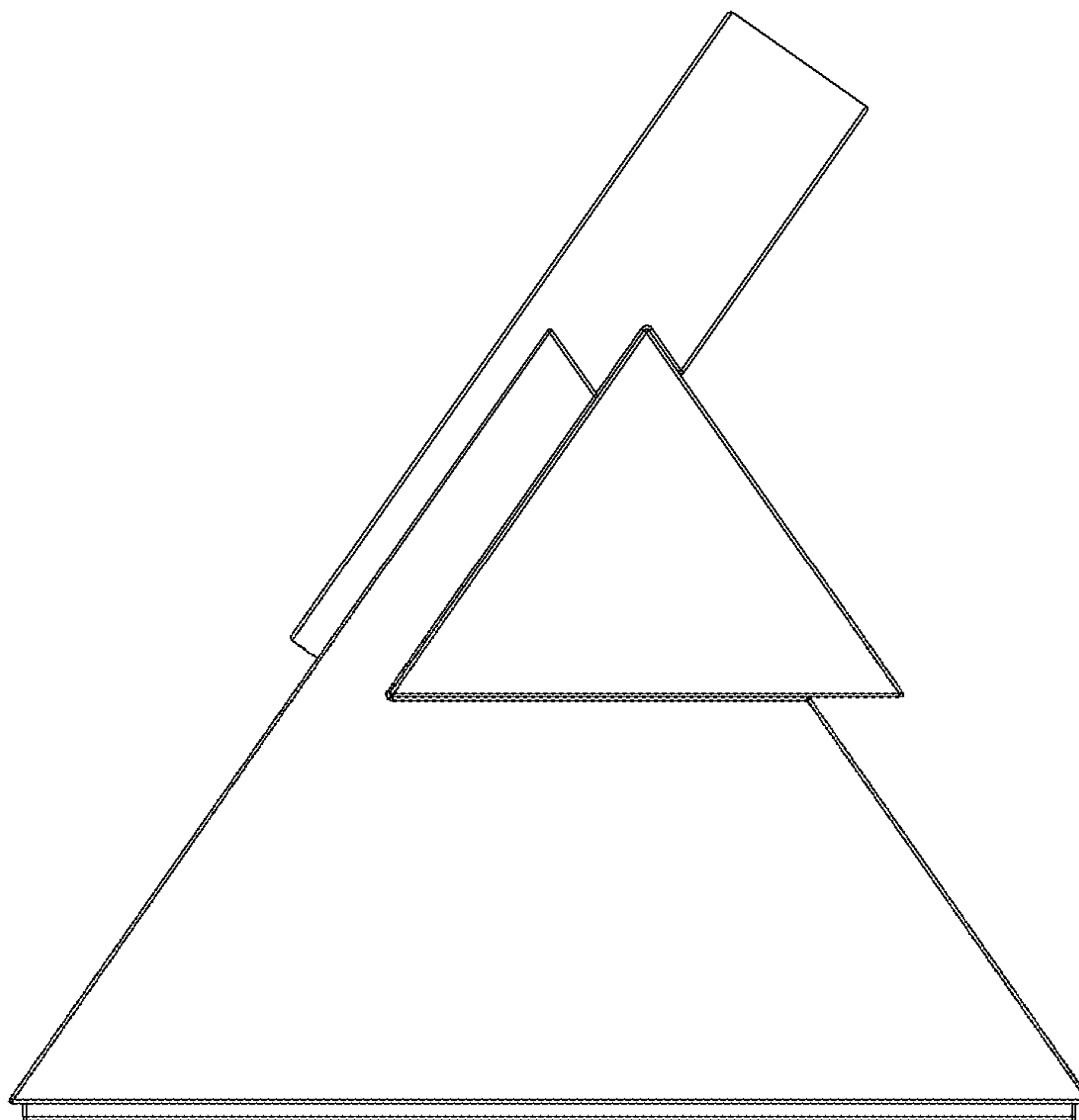


FIG. 6

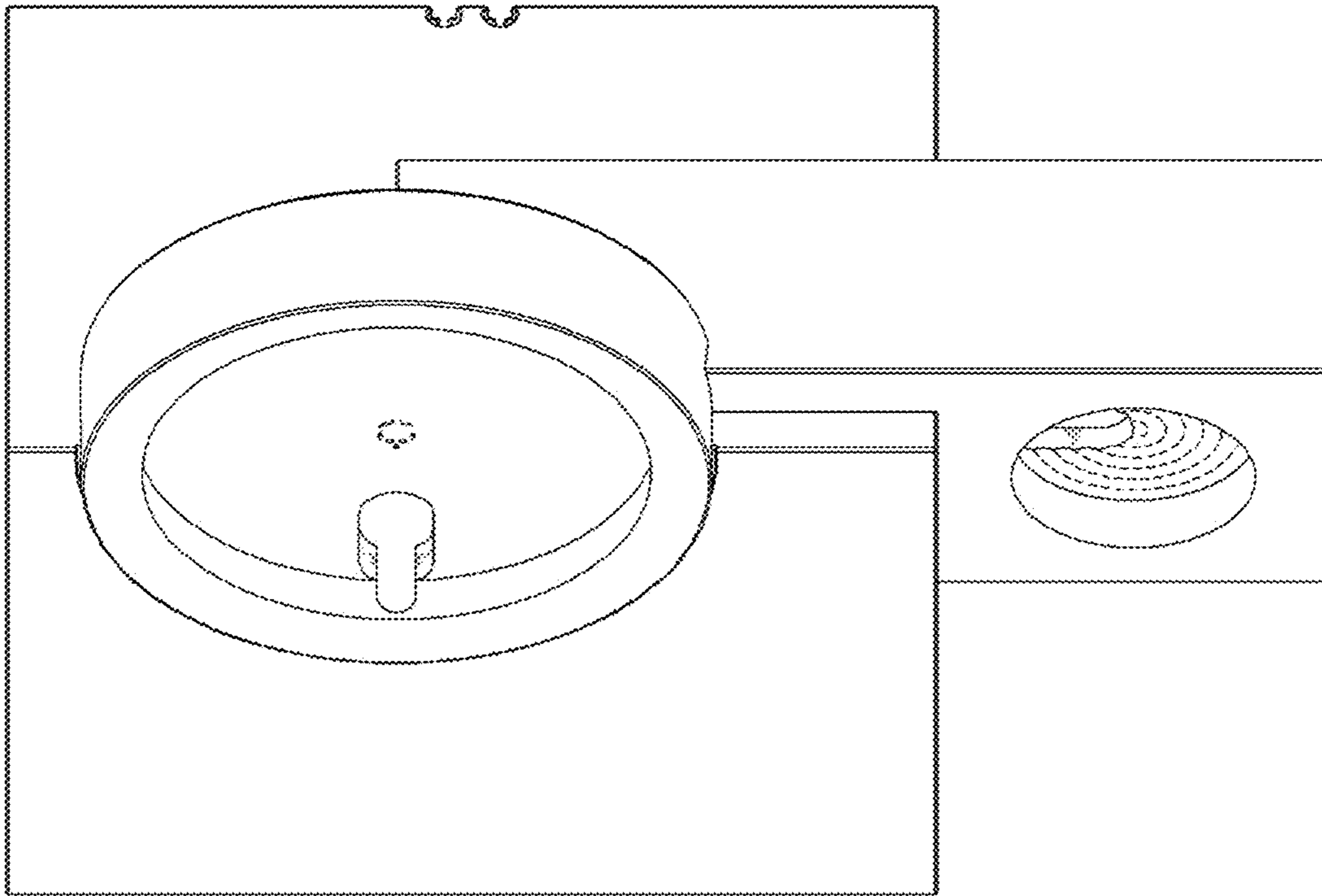


FIG. 7

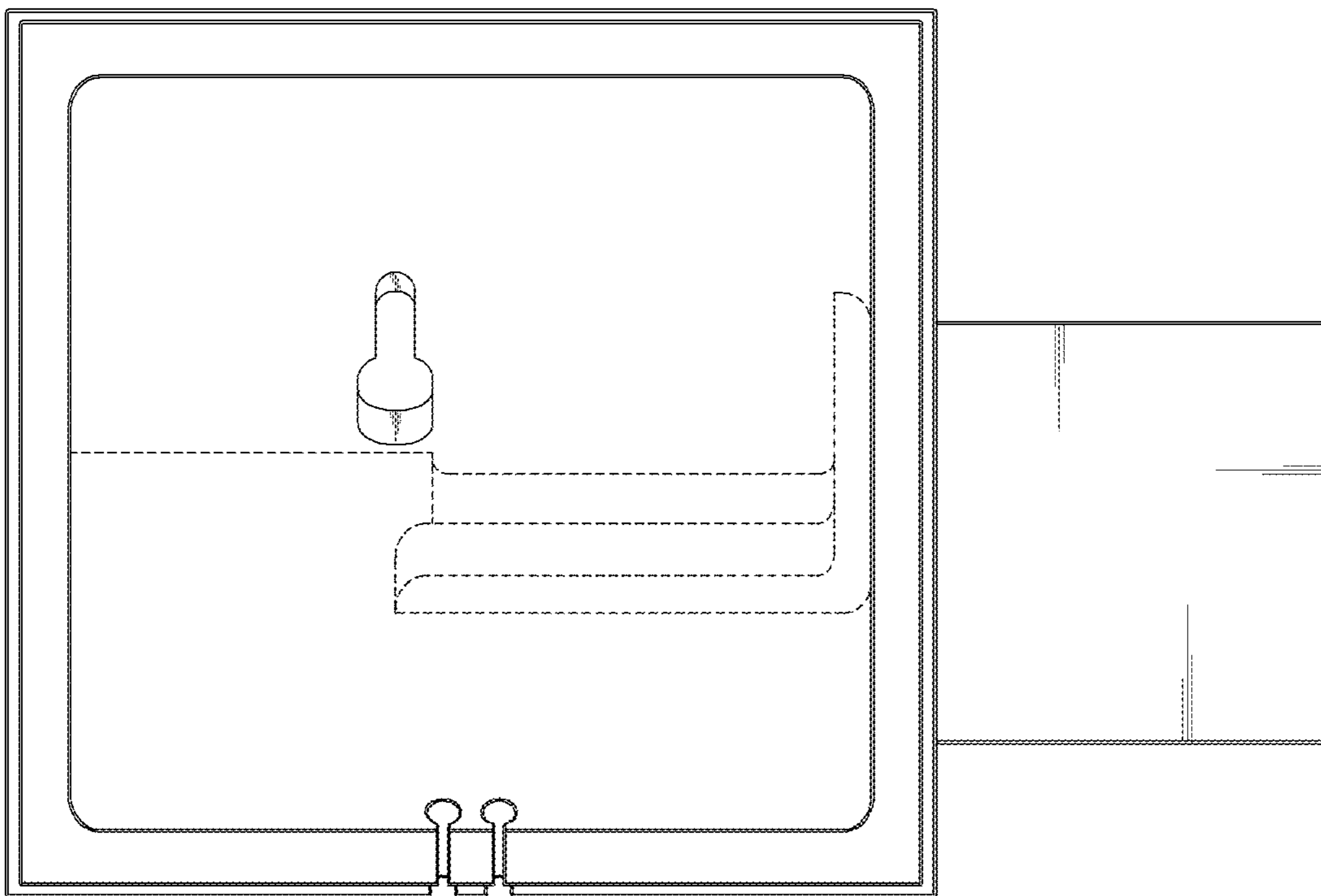


FIG. 8

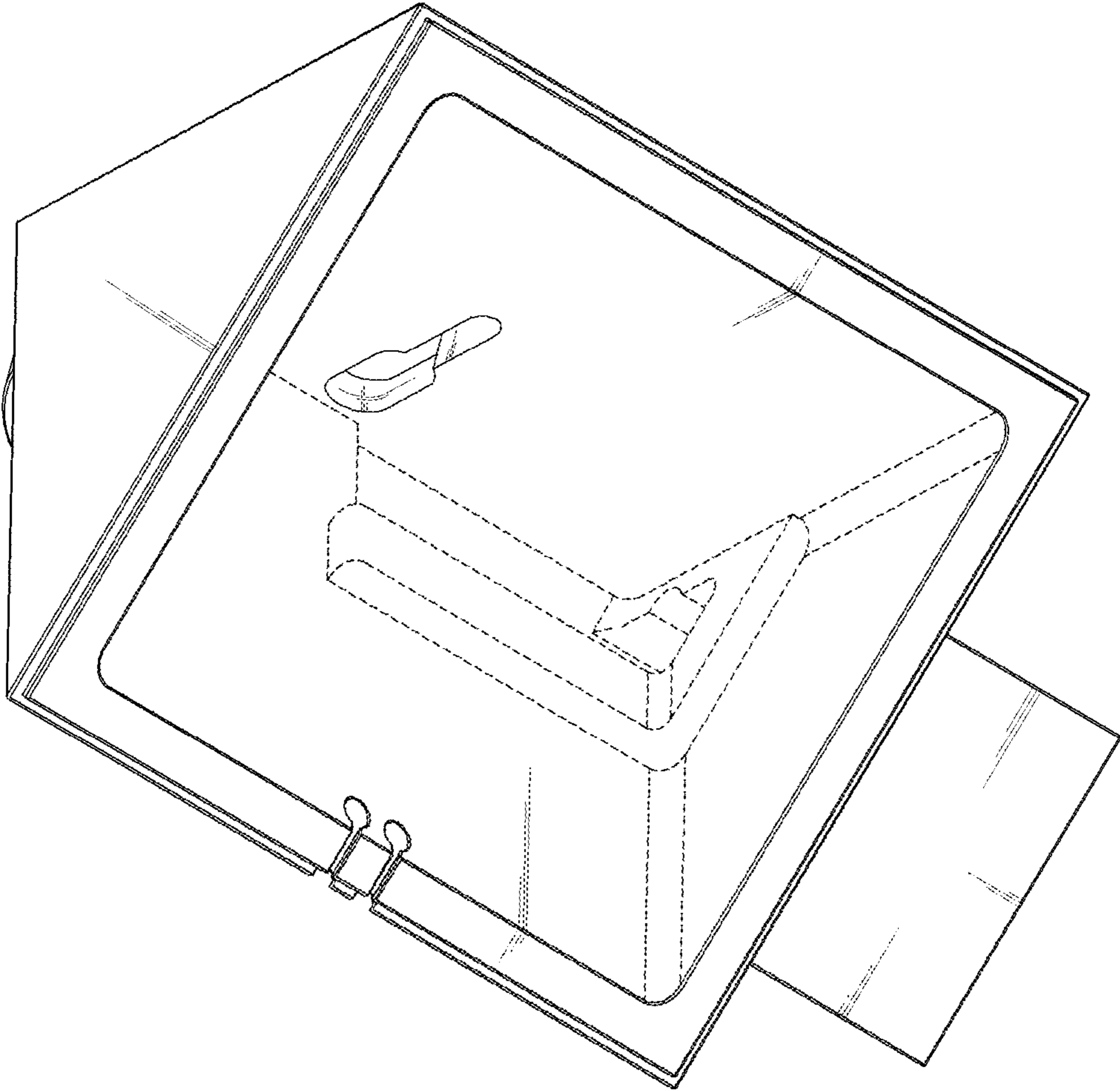


FIG. 9

