



US00D928790S

(12) **United States Design Patent**  
**Hong**

(10) **Patent No.:** **US D928,790 S**

(45) **Date of Patent:** **\*\* Aug. 24, 2021**

(54) **DESKTOP STAND**

(71) Applicant: **HAVEN FURNITURE CO., LIMITED**, Hong Kong (CN)

(72) Inventor: **Zhengcai Hong**, Hong Kong (CN)

(73) Assignee: **HAVEN FURNITURE CO., LIMITED**, Hong Kong (CN)

(\*\*) Term: **15 Years**

(21) Appl. No.: **29/748,353**

(22) Filed: **Aug. 28, 2020**

(51) **LOC (13) Cl.** ..... **08-07**

(52) **U.S. Cl.**  
USPC ..... **D14/447**

(58) **Field of Classification Search**  
USPC ..... D14/447, 432, 434, 439, 440, 451, 452,  
D14/457, 239, 253; D8/363, 373, 380;  
D6/406.3, 406.4, 406.5, 406.6; D12/415  
CPC ..... A47B 21/04; A47B 2097/006; A47B  
2097/005; A47B 2023/049; A45C  
2011/002; A45C 2011/003; F16M  
2200/00; F16M 13/00  
See application file for complete search history.

(56) **References Cited**

**U.S. PATENT DOCUMENTS**

- 4,726,556 A \* 2/1988 Weir ..... A47B 27/18  
248/454
- D385,727 S \* 11/1997 Chang ..... D6/691.8
- D398,458 S \* 9/1998 Martell ..... D6/656.11

- D410,910 S \* 6/1999 Martell ..... D14/457
- D519,121 S 4/2006 Zamanian
- D555,655 S 11/2007 Iu
- D589,964 S \* 4/2009 Heggland ..... D14/434
- D619,139 S 7/2010 Ho
- D752,908 S \* 4/2016 McGrath ..... D6/699.5
- 9,326,598 B1 \* 5/2016 West ..... A47B 3/02
- D864,619 S \* 10/2019 Hu ..... D6/655
- D882,987 S \* 5/2020 Hu ..... D6/656
- D903,689 S \* 12/2020 Zheng ..... D14/447
- D907,644 S \* 1/2021 Li ..... D14/447
- D920,338 S \* 5/2021 Chen ..... D14/447
- 2020/0375351 A1 \* 12/2020 Xiang ..... A47B 3/02

\* cited by examiner

*Primary Examiner* — Angela J Lee

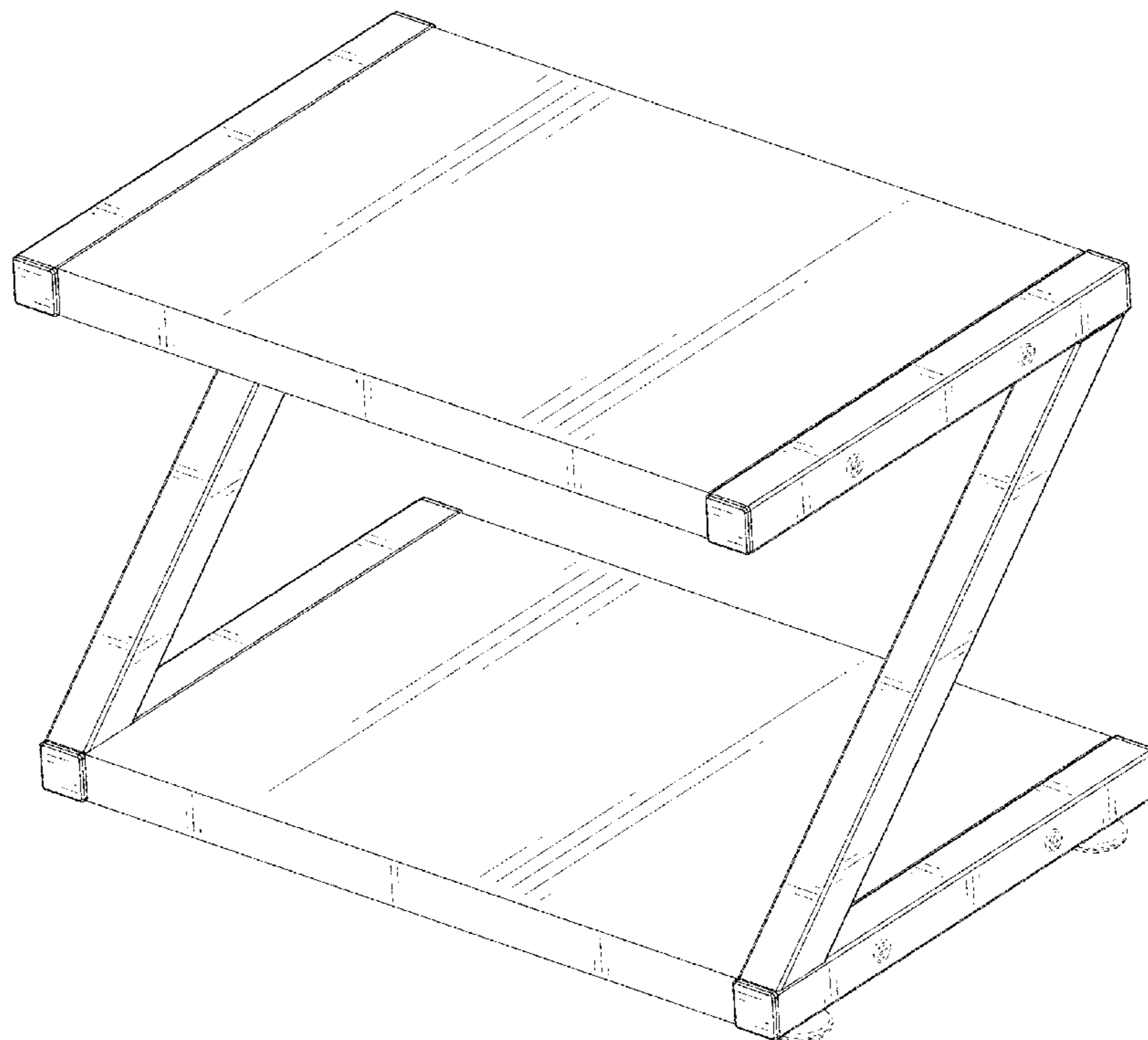
(57) **CLAIM**

The ornamental design for a desktop stand, as shown and described.

**DESCRIPTION**

FIG. 1 is a perspective view of a desktop stand showing my new design;  
 FIG. 2 is another perspective view thereof;  
 FIG. 3 is a front elevational view thereof;  
 FIG. 4 is a rear elevational view thereof;  
 FIG. 5 is a left side elevational view thereof;  
 FIG. 6 is a right side elevational view thereof;  
 FIG. 7 is a top plan view thereof; and,  
 FIG. 8 is a bottom plan view thereof.  
 The broken lines in the drawings depict portions of the desktop stand that form no part of the claimed design.

**1 Claim, 8 Drawing Sheets**



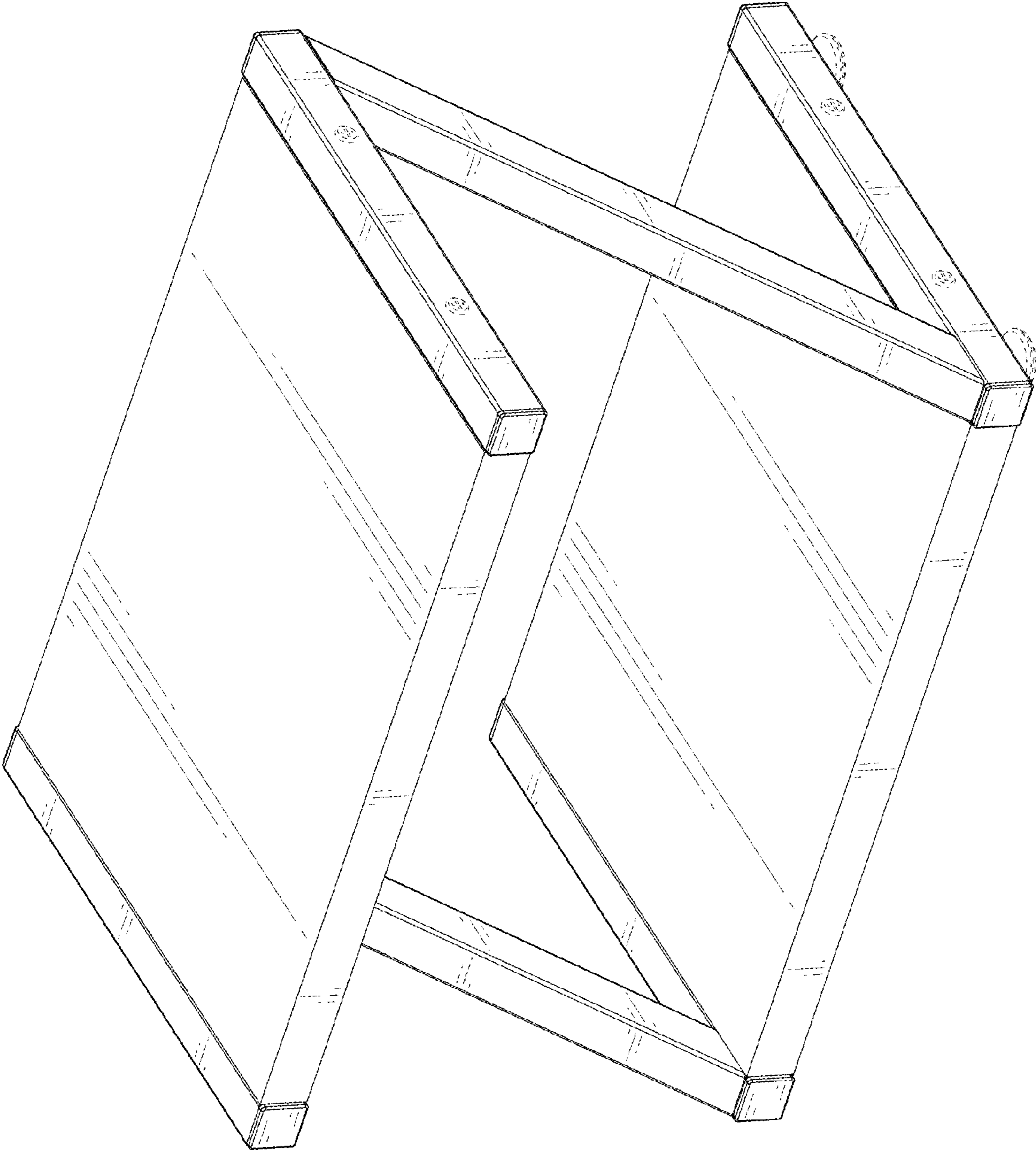


FIG. 1

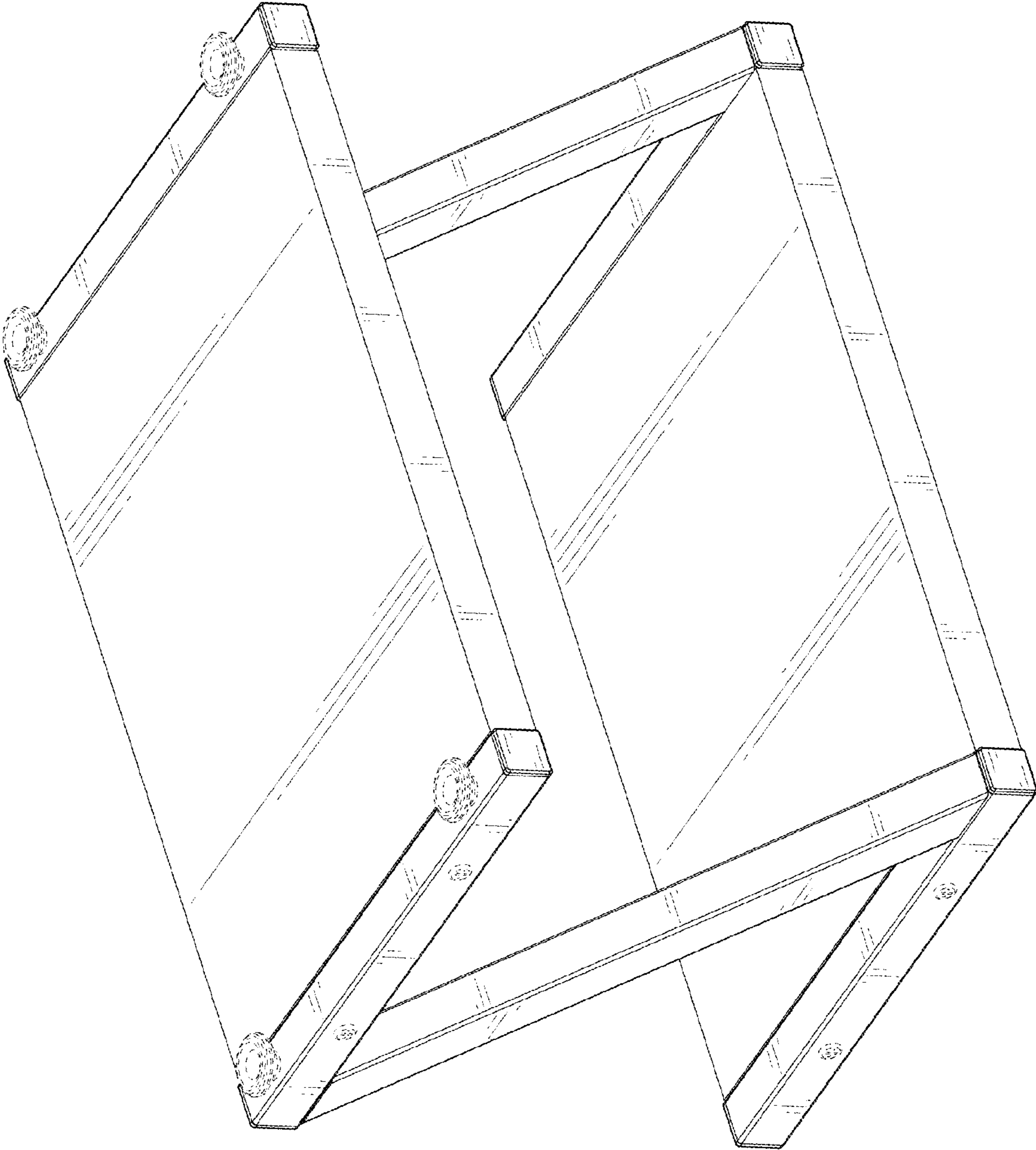


FIG. 2

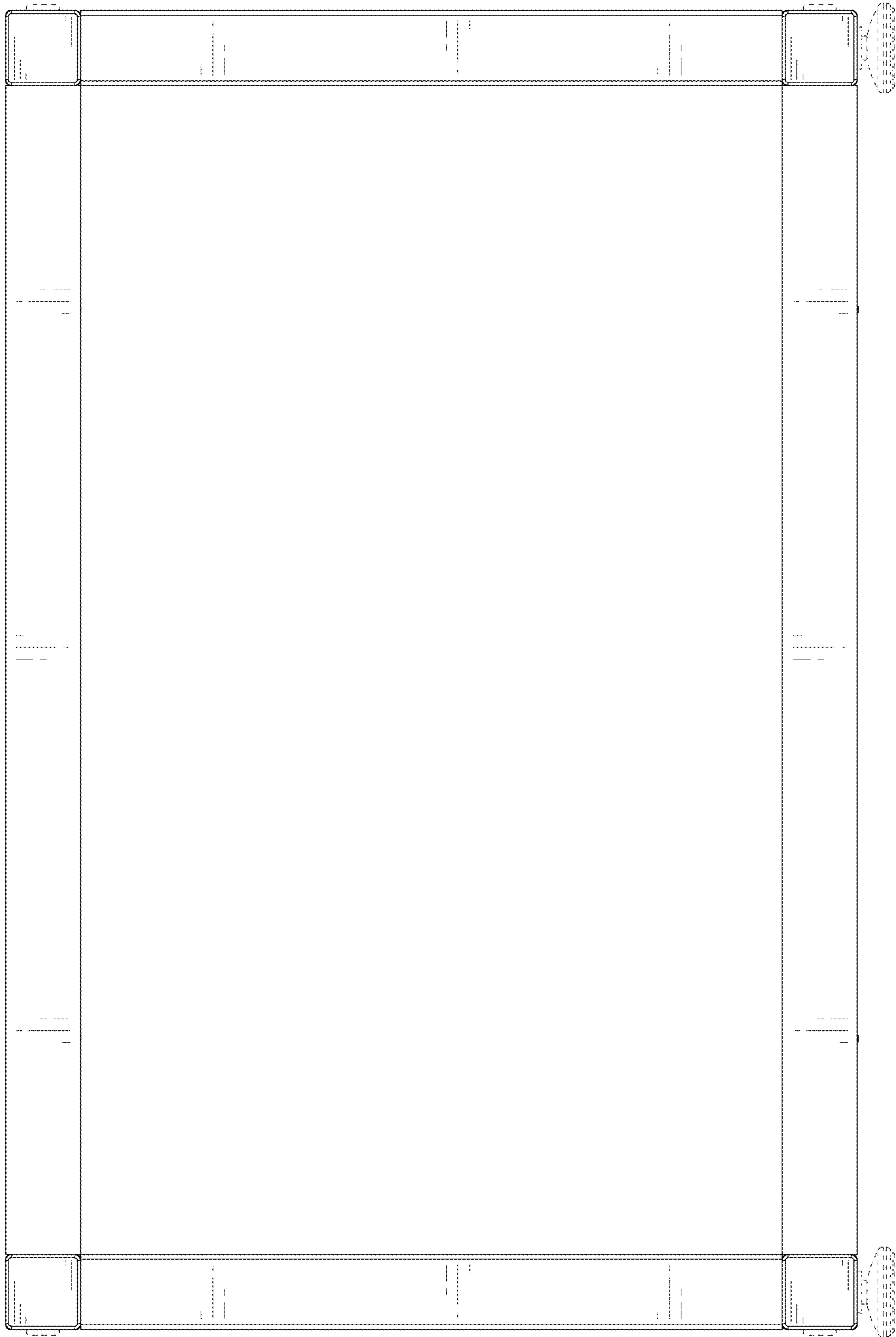


FIG. 3



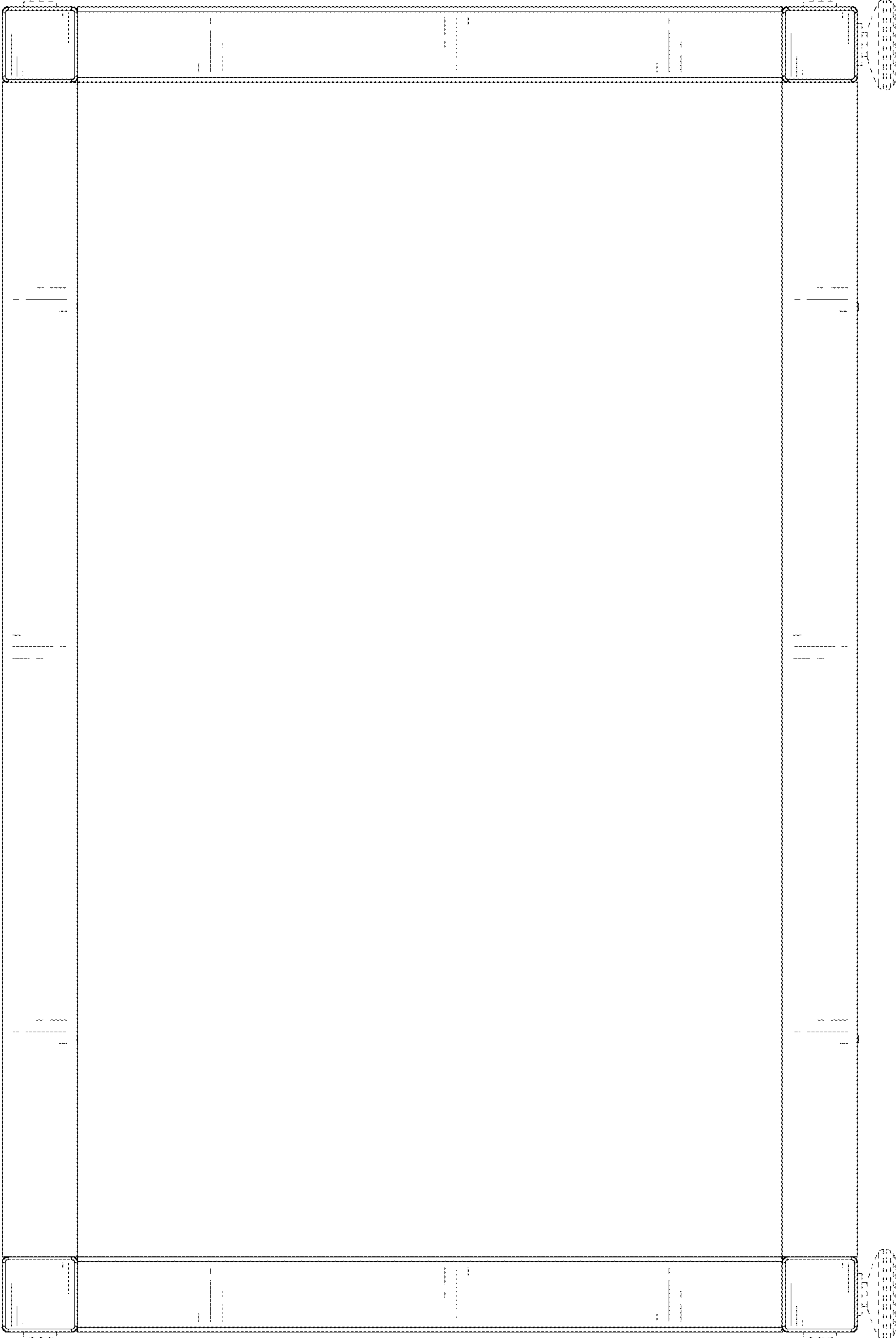


FIG. 4

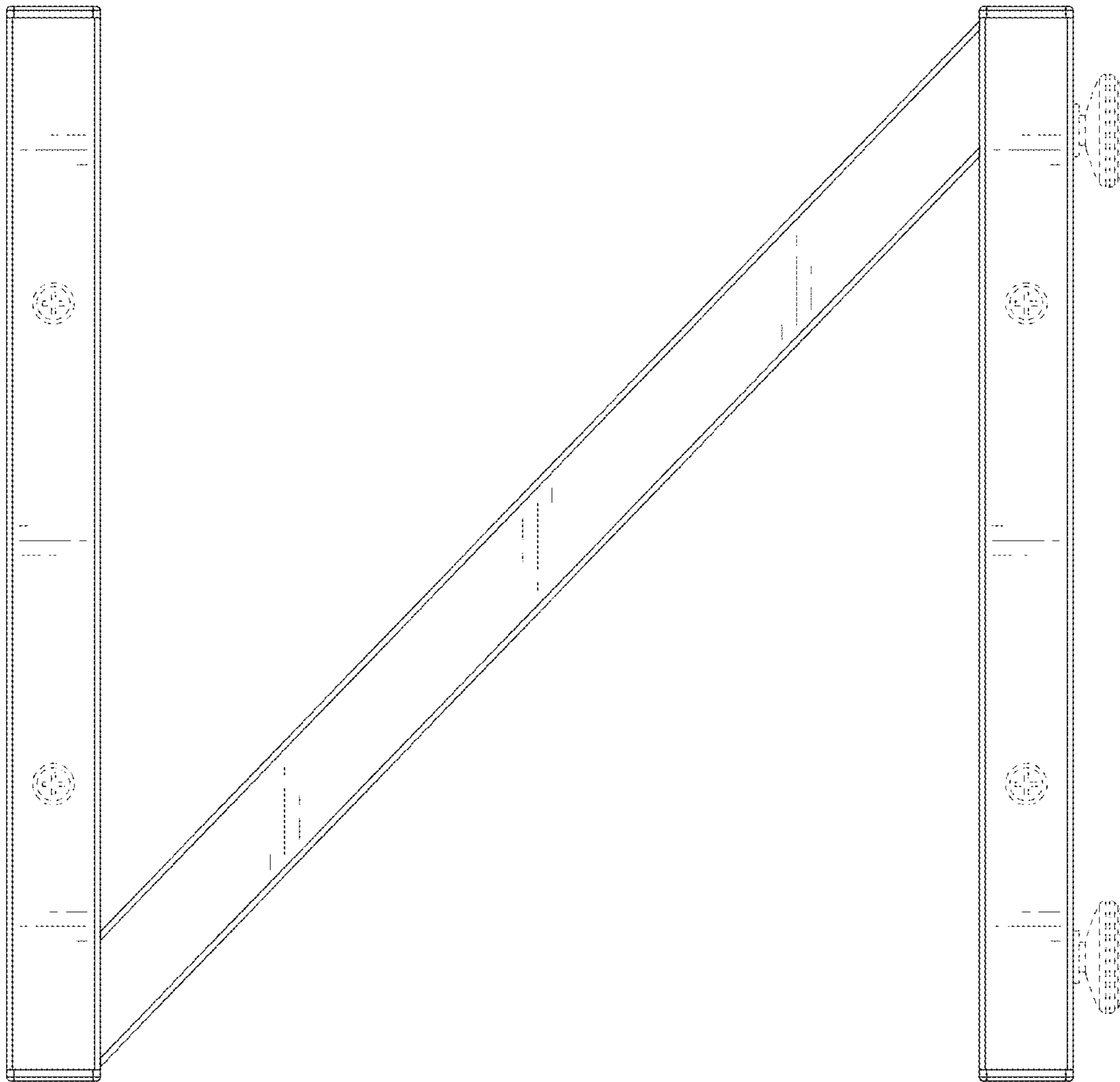


FIG. 5

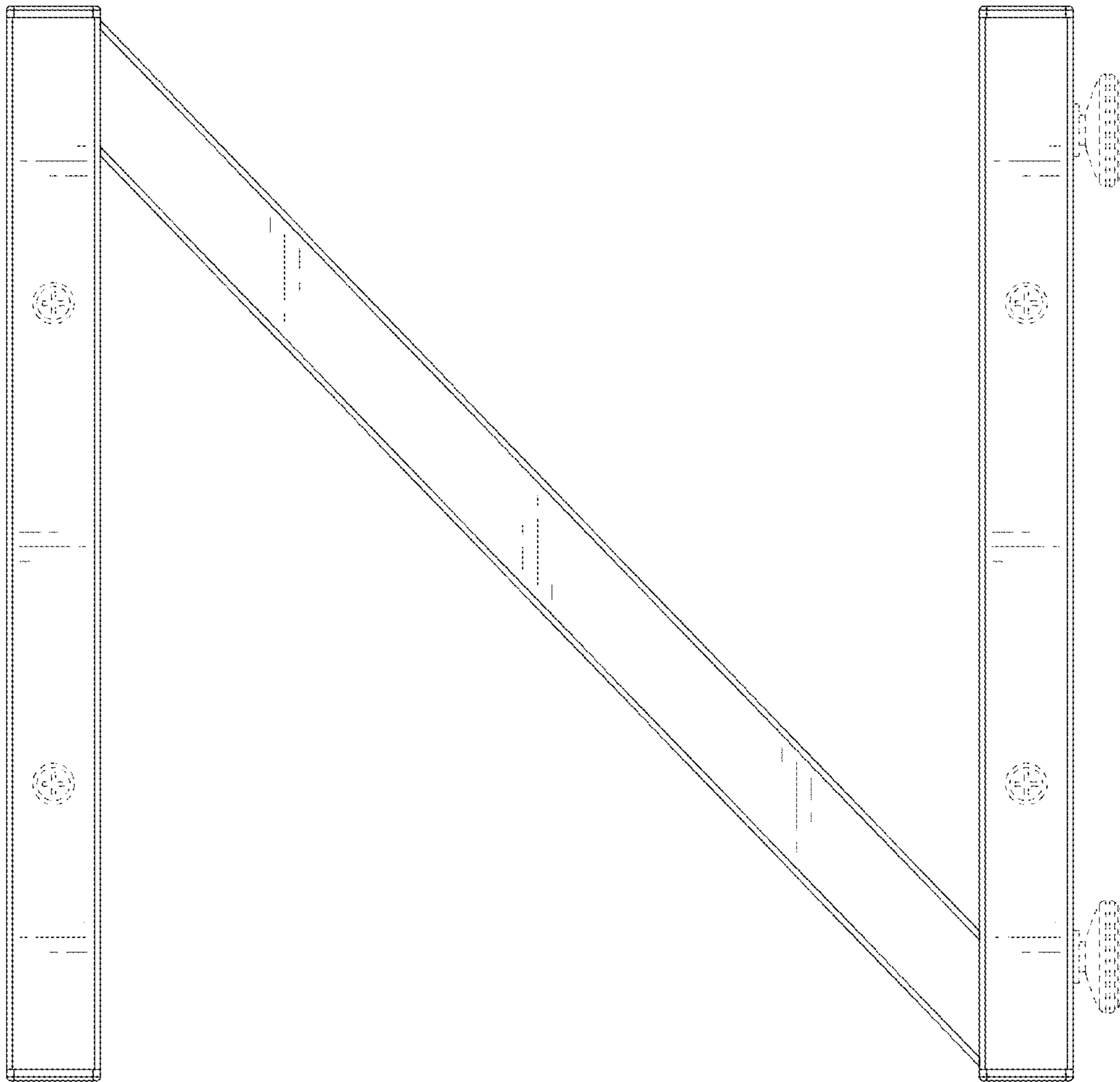


FIG. 6

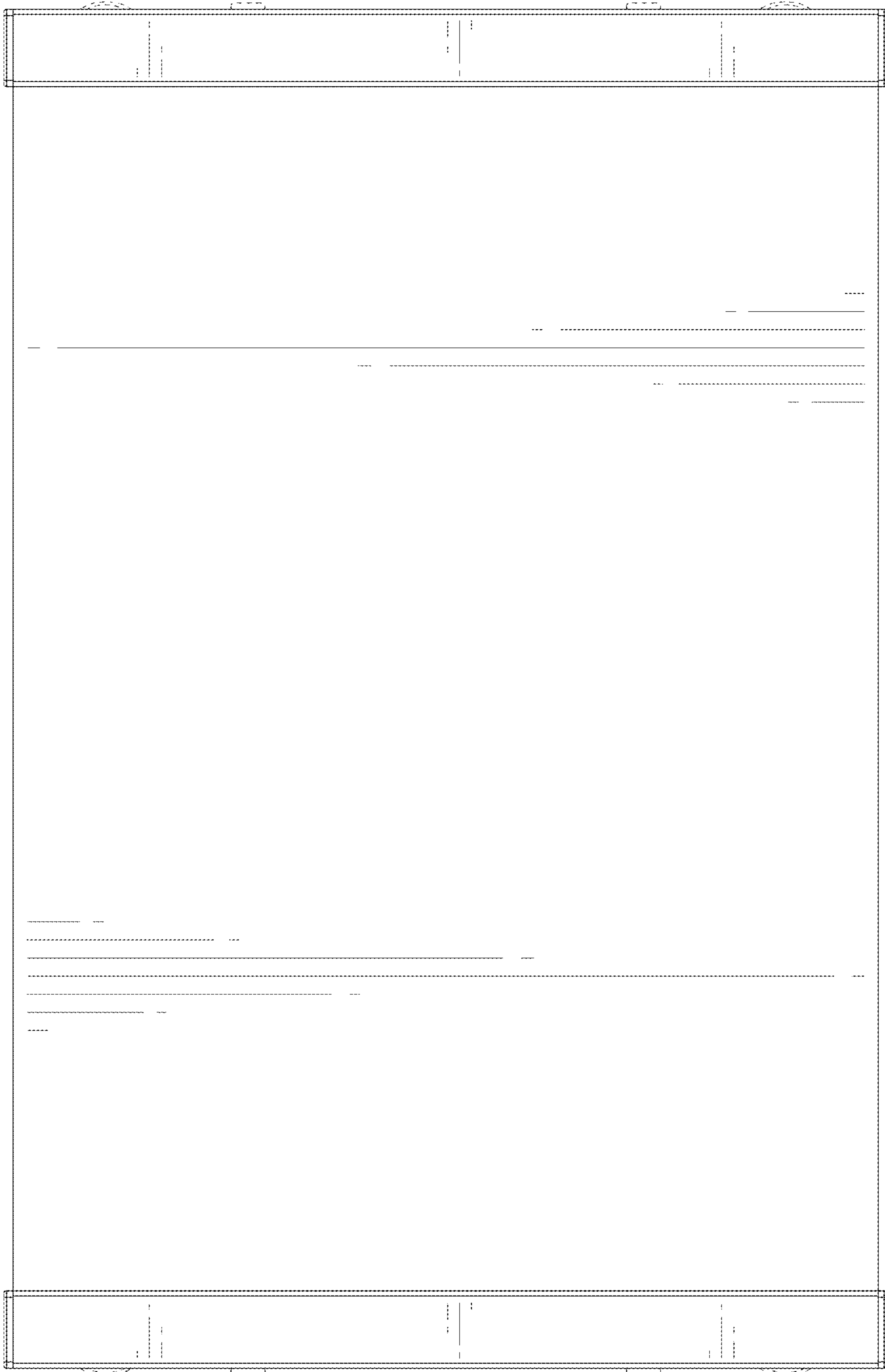


FIG. 7



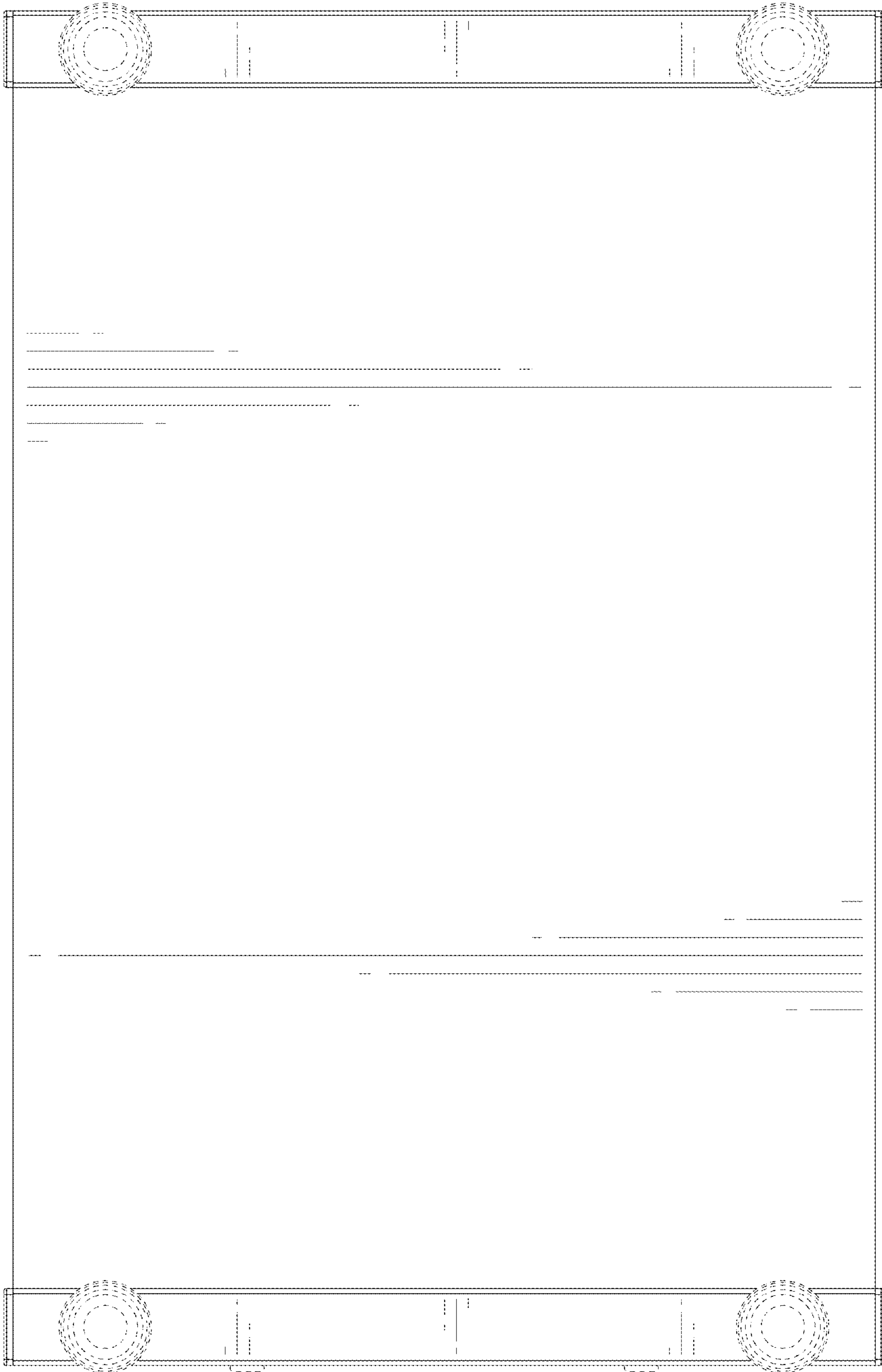


FIG. 8