

US00D928787S

(12) **United States Design Patent**  
**Zhang**

(10) **Patent No.:** **US D928,787 S**

(45) **Date of Patent:** **\*\* Aug. 24, 2021**

(54) **MULTI-FUNCTION HUB**

(71) Applicant: **C-SMARTLINK INFORMATION TECHNOLOGY CO., LIMITED**, Shenzhen (CN)

(72) Inventor: **Wenfeng Zhang**, Shenzhen (CN)

(73) Assignee: **C-SMARTLINK INFORMATION TECHNOLOGY CO., LIMITED**, Shenzhen (CN)

(\*\*) Term: **15 Years**

(21) Appl. No.: **29/715,225**

(22) Filed: **Nov. 29, 2019**

(51) **LOC (13) Cl.** ..... **14-02**

(52) **U.S. Cl.**  
USPC ..... **D14/433**

(58) **Field of Classification Search**  
USPC ..... D14/155, 240, 242, 356, 357, 358, 378, D14/383, 384, 385, 386, 432, 433, 434, D14/438, 439, 435.1, 480.1, 480.3, 480.4, D14/480.5, 480.6, 480.7, 496; D13/103, D13/107, 108, 110, 118, 120, 123, 133, D13/137.1–137.4, 139.1–139.8, 146, 147, D13/153, 154, 184; D18/12, 12.1, 12.3  
CPC .... H01R 25/00; H01R 25/003; H01R 25/006; H01R 27/00; H01R 27/02; H01R 31/005; H01R 24/28; H01R 24/20; H01R 13/60; H01R 13/6658; H01R 13/72; G06F 1/1607; G06F 1/1632; G06F 1/1684; G06F 1/266; G06F 11/325; G06F 13/00; G06F 13/12; G06F 13/14; G06F 13/20; G06F 13/382; G06F 13/4022; H04B 1/08  
See application file for complete search history.

(56) **References Cited**

**U.S. PATENT DOCUMENTS**

D491,563 S \* 6/2004 Sato ..... D14/242  
D514,103 S \* 1/2006 Huang ..... D14/480.6

D647,908 S \* 11/2011 Chen ..... D14/434  
D727,360 S \* 4/2015 Peng ..... D14/496  
D735,132 S \* 7/2015 Donohue, II ..... D13/108  
D753,063 S \* 4/2016 Gelonese ..... D13/137.2  
D784,356 S \* 4/2017 Luo ..... D14/480.1  
D854,018 S \* 7/2019 Liao ..... D14/434  
D855,053 S \* 7/2019 Hickman ..... D14/384  
D864,145 S \* 10/2019 Zhang ..... D14/155  
D864,206 S \* 10/2019 Wang ..... D14/433  
D878,300 S \* 3/2020 Lyu ..... D13/139.8  
D906,238 S \* 12/2020 Zhang ..... D13/108  
D920,980 S \* 6/2021 Zhang ..... D14/433

\* cited by examiner

*Primary Examiner* — Ramzi Almatrahi

*Assistant Examiner* — Charles Cunningham

(57) **CLAIM**

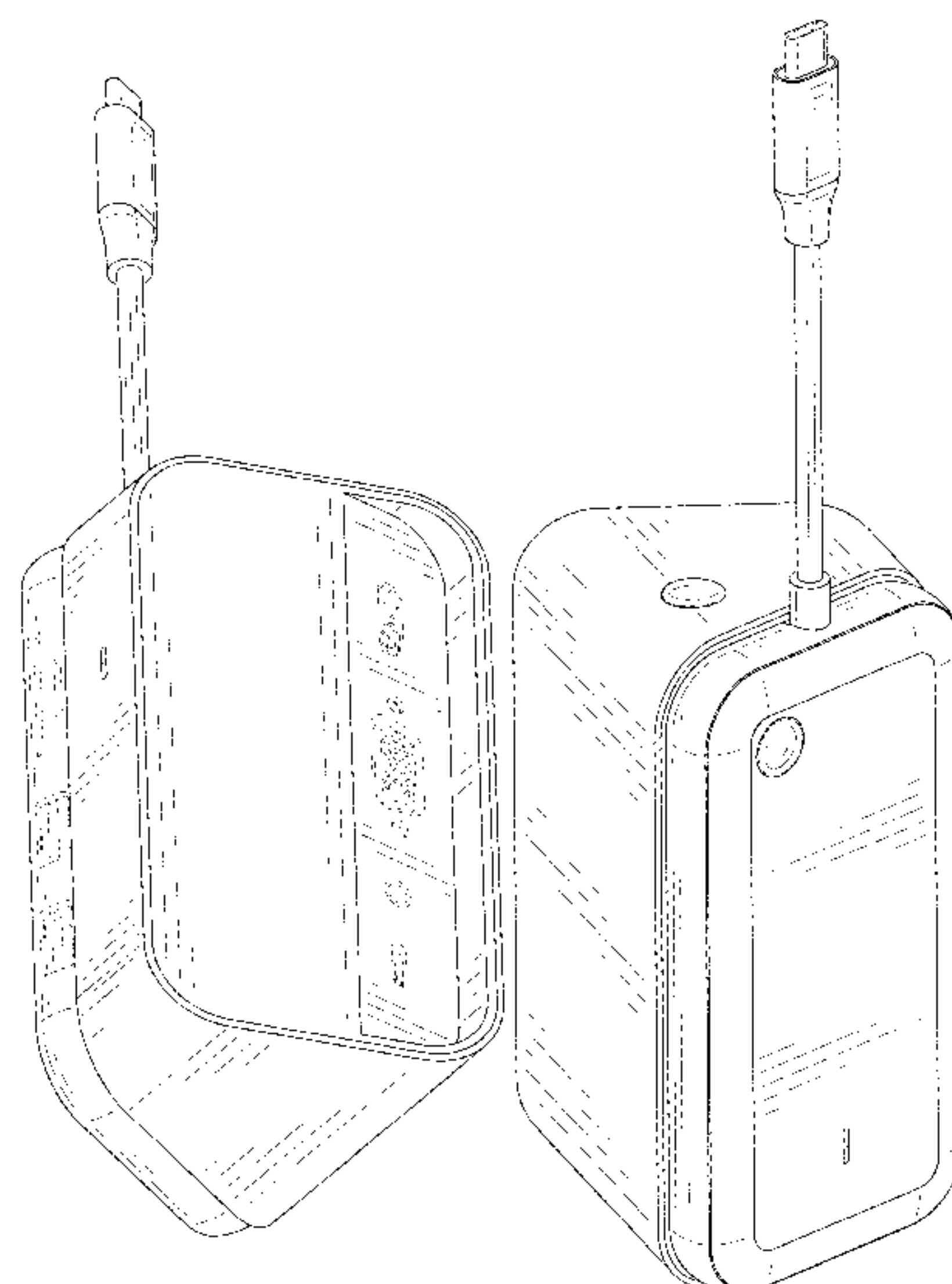
The ornamental design for a multi-function hub, as shown and described.

**DESCRIPTION**

FIG. 1 is a bottom, front and right side perspective view of a multi-function hub showing my new design;  
FIG. 2 is a top, rear and left side perspective view thereof;  
FIG. 3 is a front elevational view thereof;  
FIG. 4 is a rear elevational view thereof;  
FIG. 5 is a left side elevational view thereof;  
FIG. 6 is a right side elevational view thereof;  
FIG. 7 is a top plan view thereof;  
FIG. 8 is a bottom plan view thereof; and,  
FIG. 9 is an exploded top, rear and left side perspective view thereof.

The broken lines in the drawings are for the purpose of illustrating portions of the multi-function hub that form no part of the claimed design.

**1 Claim, 9 Drawing Sheets**



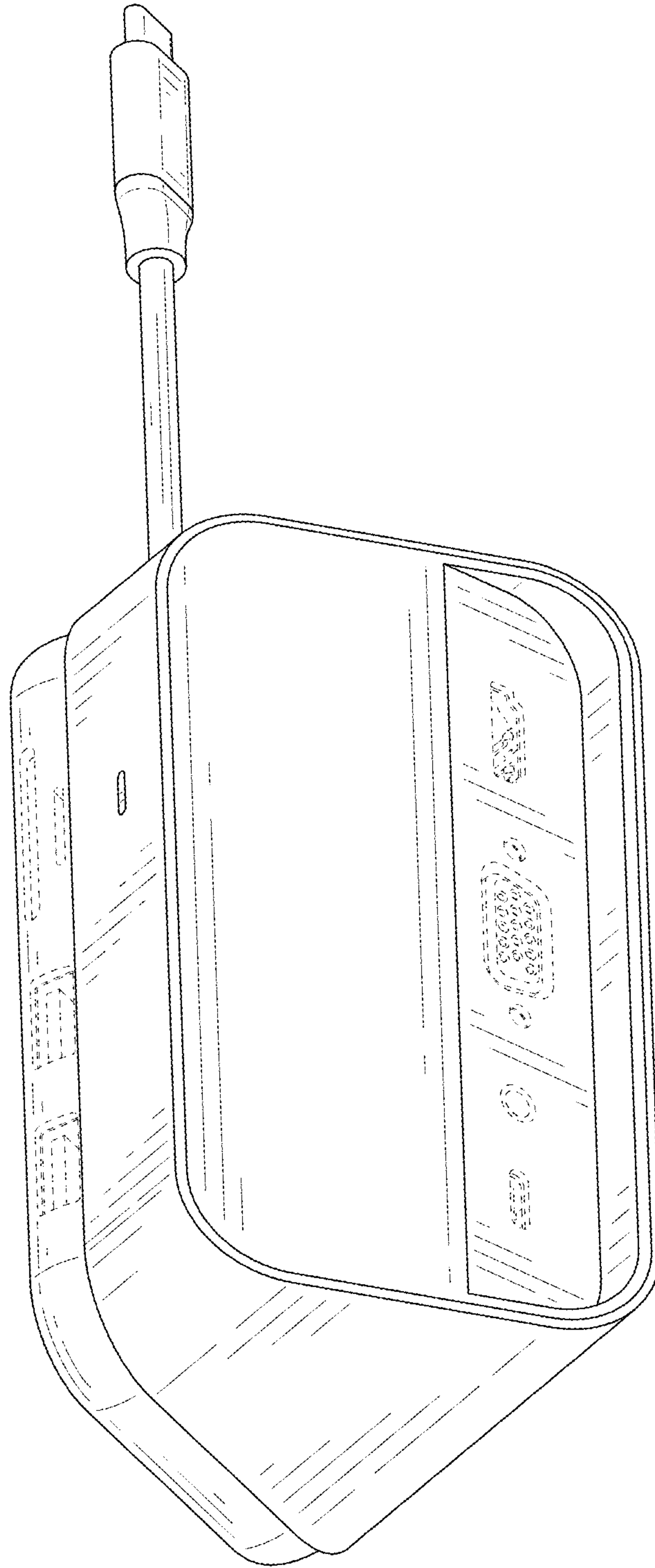


FIG. 1

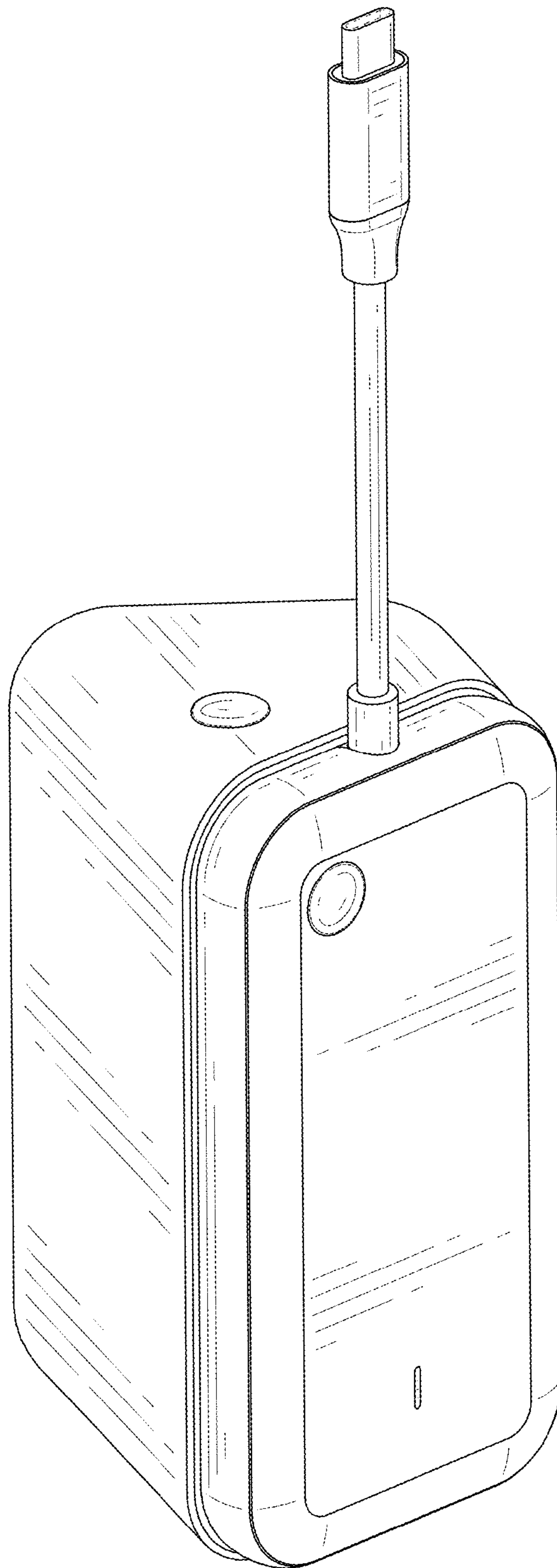


FIG. 2

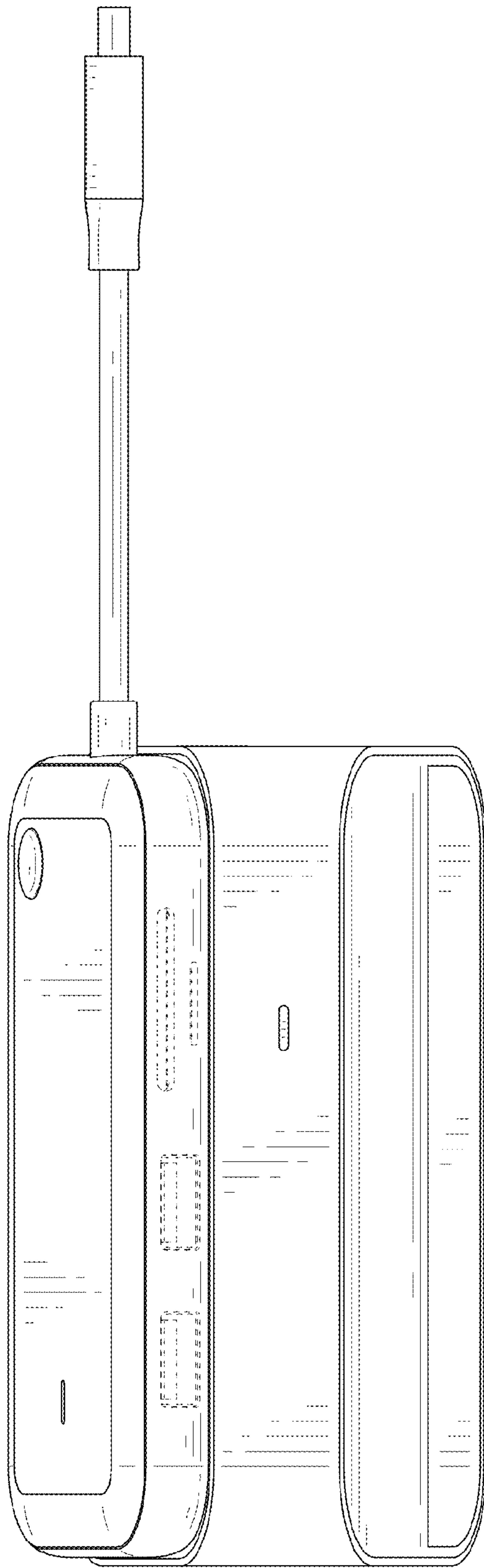


FIG. 3

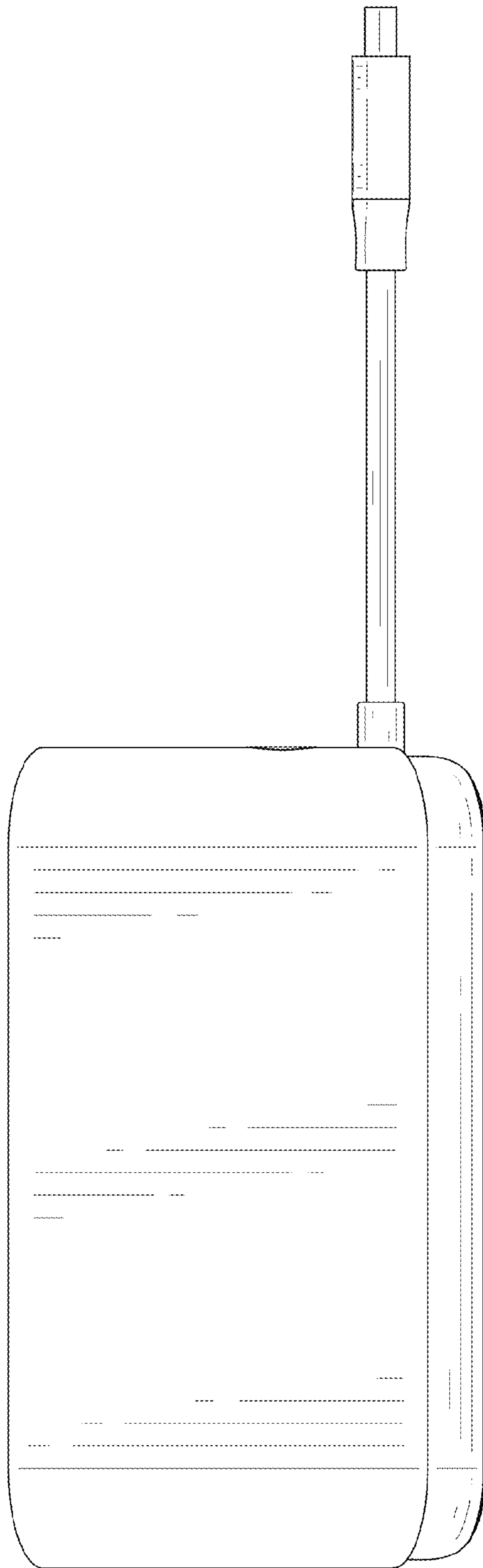


FIG. 4

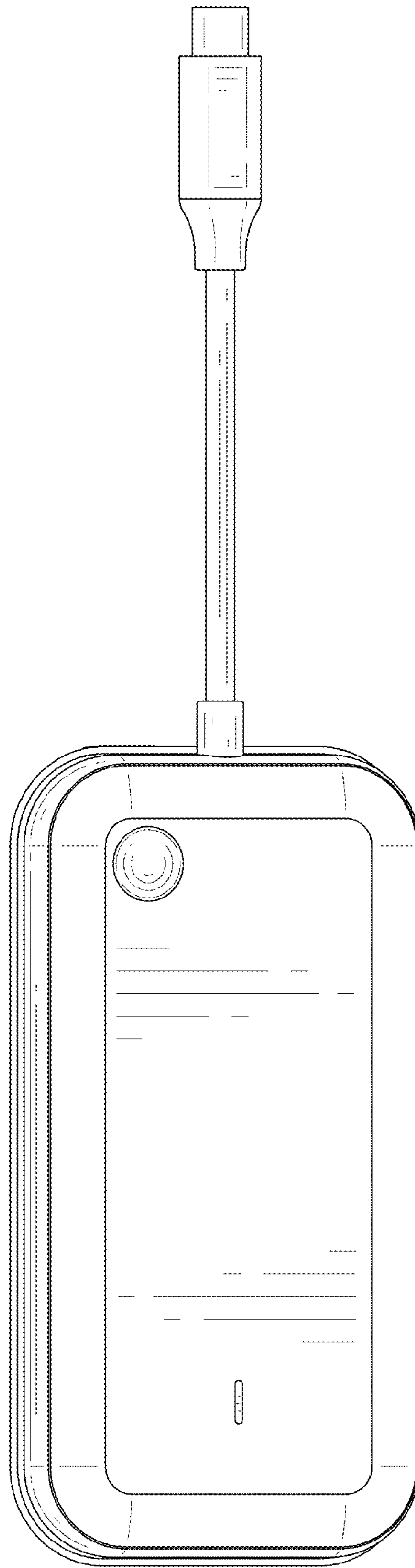


FIG. 5



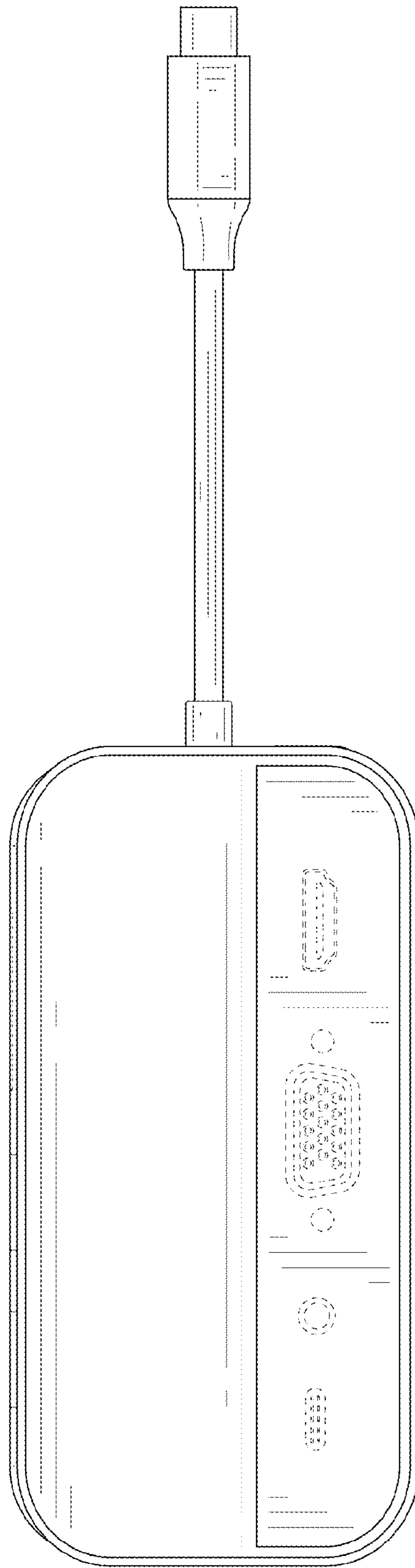


FIG. 6

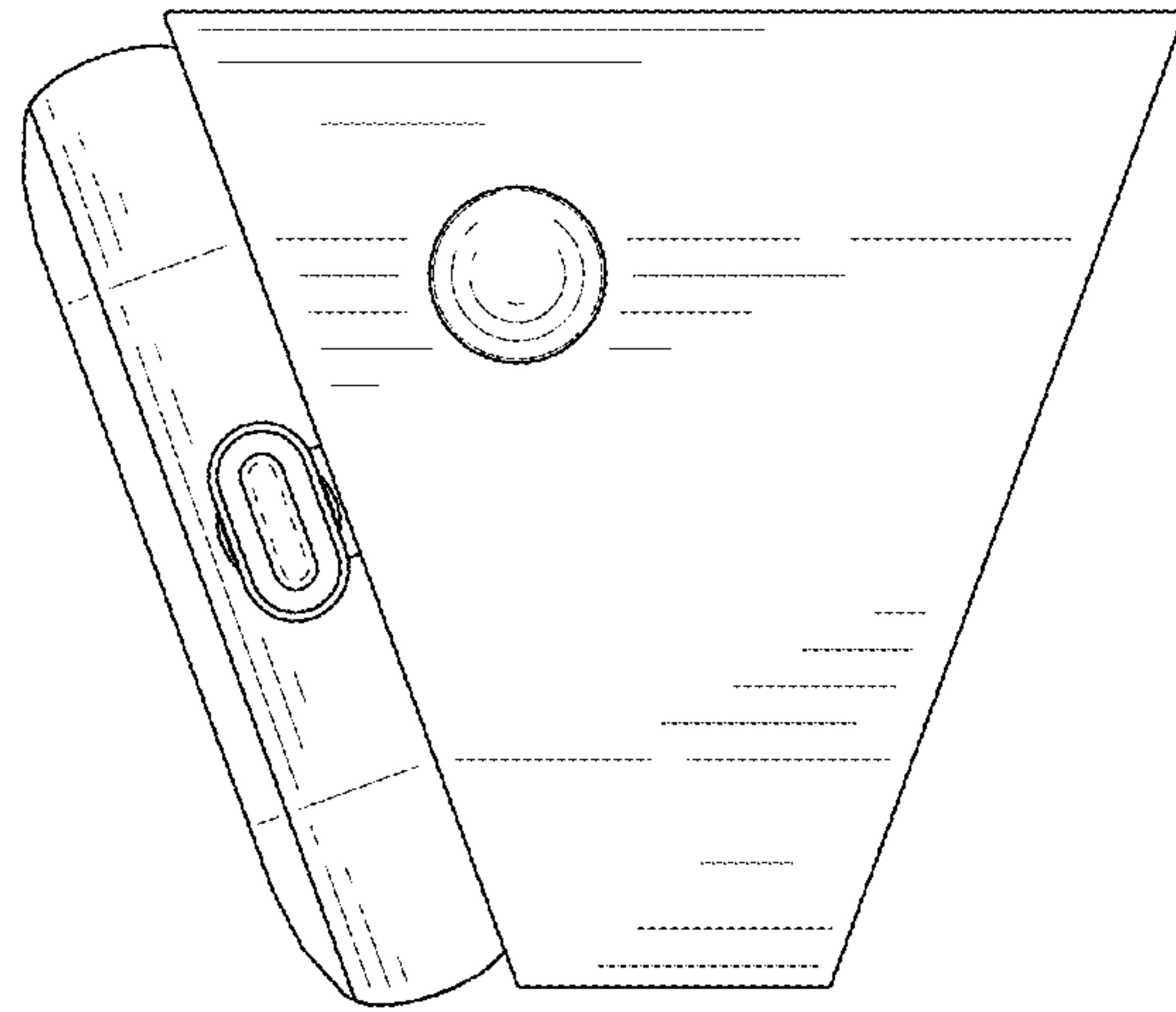


FIG. 7



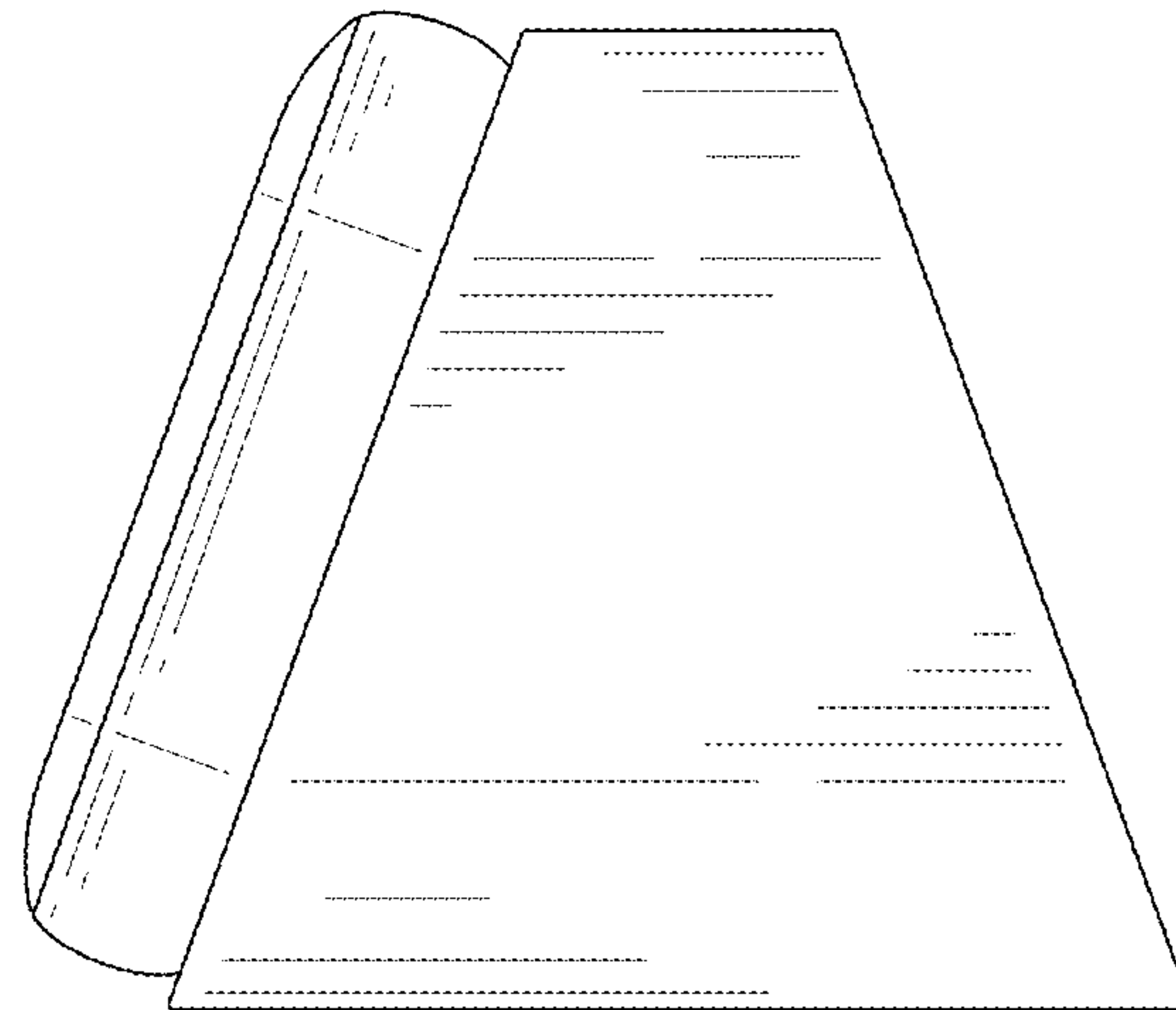


FIG. 8



FIG. 9