



US00D928784S

(12) **United States Design Patent** (10) **Patent No.:** **US D928,784 S**
Lee et al. (45) **Date of Patent:** **** Aug. 24, 2021**

(54) **HOME AUTOMATION HUB**
(71) Applicant: **LG Electronics Inc.**, Seoul (KR)
(72) Inventors: **Hophil Lee**, Seoul (KR); **Jaebeom Im**, Seoul (KR)
(73) Assignee: **LG ELECTRONICS INC.**, Seoul (KR)
(**) Term: **15 Years**
(21) Appl. No.: **35/508,604**
(22) Filed: **Aug. 8, 2019**
(80) **Hague Agreement Data**
Int. Filing Date: **Aug. 8, 2019**
Int. Reg. No.: **DM/205888**
Int. Reg. Date: **Aug. 8, 2019**
Int. Reg. Pub. Date: **Feb. 14, 2020**

(30) **Foreign Application Priority Data**
Feb. 11, 2019 (KR) 30-2019-0006020
(51) **LOC (13) Cl.** **14-02**
(52) **U.S. Cl.**
USPC **D14/358**
(58) **Field of Classification Search**
USPC D14/188, 162, 167-169, 125, 126,
D14/194-198, 214, 217, 257, 265, 299,
D14/351, 356, 357, 358, 361, 362, 365,
D14/367, 370, 388, 432, 496
CPC . H03F 1/26; H03F 1/3247; H03F 3/24; H03F
3/181; H03F 3/189; H03F 3/45197; H03F
2200/03; H03F 2200/324; H03F
2200/336; H01Q 1/02; H01Q 1/2291;
H01Q 1/246; H04B 1/38
See application file for complete search history.

(56) **References Cited**
U.S. PATENT DOCUMENTS
D222,072 S * 9/1971 Levitt D14/211
D430,142 S * 8/2000 Kuo D14/211

D440,557 S * 4/2001 Su D14/215
D645,846 S * 9/2011 Mordechai D14/216
D659,680 S * 5/2012 Kim D14/216
D693,814 S * 11/2013 Park D14/434
D741,931 S * 10/2015 Huang D16/202
D756,326 S * 5/2016 Holzer D14/171
D765,617 S * 9/2016 Mackiewicz D14/216
D766,215 S * 9/2016 Mackiewicz D14/216
D829,192 S * 9/2018 Liu D14/216
D832,264 S * 10/2018 Kim D14/434
D834,000 S * 11/2018 Paslawski D14/216
D836,569 S * 12/2018 Kim D13/168
D836,608 S * 12/2018 Kim D14/216
D844,009 S * 3/2019 Kim D14/434
D859,411 S * 9/2019 Bidwell D14/420
D862,416 S * 10/2019 Czaniecki D14/216
D865,717 S * 11/2019 Wang D14/216
D866,519 S * 11/2019 Yanjie D14/216
D881,187 S * 4/2020 Shin D14/358
D881,886 S * 4/2020 Bidwell D14/420

(Continued)

Primary Examiner — Bao-Yen T Nguyen
(74) *Attorney, Agent, or Firm* — Birch, Stewart, Kolasch & Birch, LLP

(57) **CLAIM**

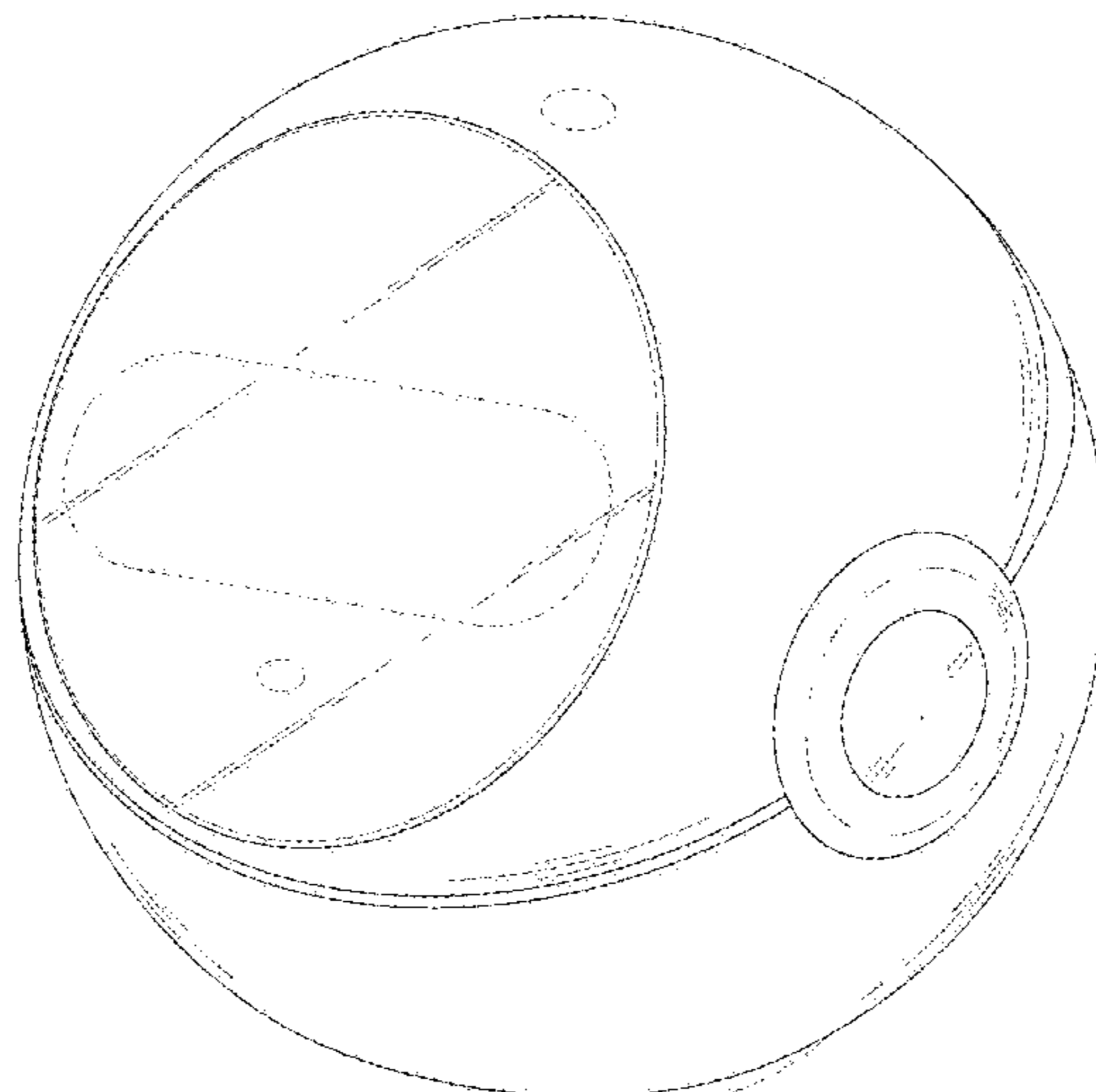
The ornamental design for a home automation hub, as shown and described.

DESCRIPTION

- 1. Home automation hub
- 1.1 : Perspective
- 1.2 : Front
- 1.3 : Back
- 1.4 : Left
- 1.5 : Top
- 1.6 : Bottom

The broken lines depict portions of the home automation hub that form no part of the claimed design.

1 Claim, 6 Drawing Sheets



(56)

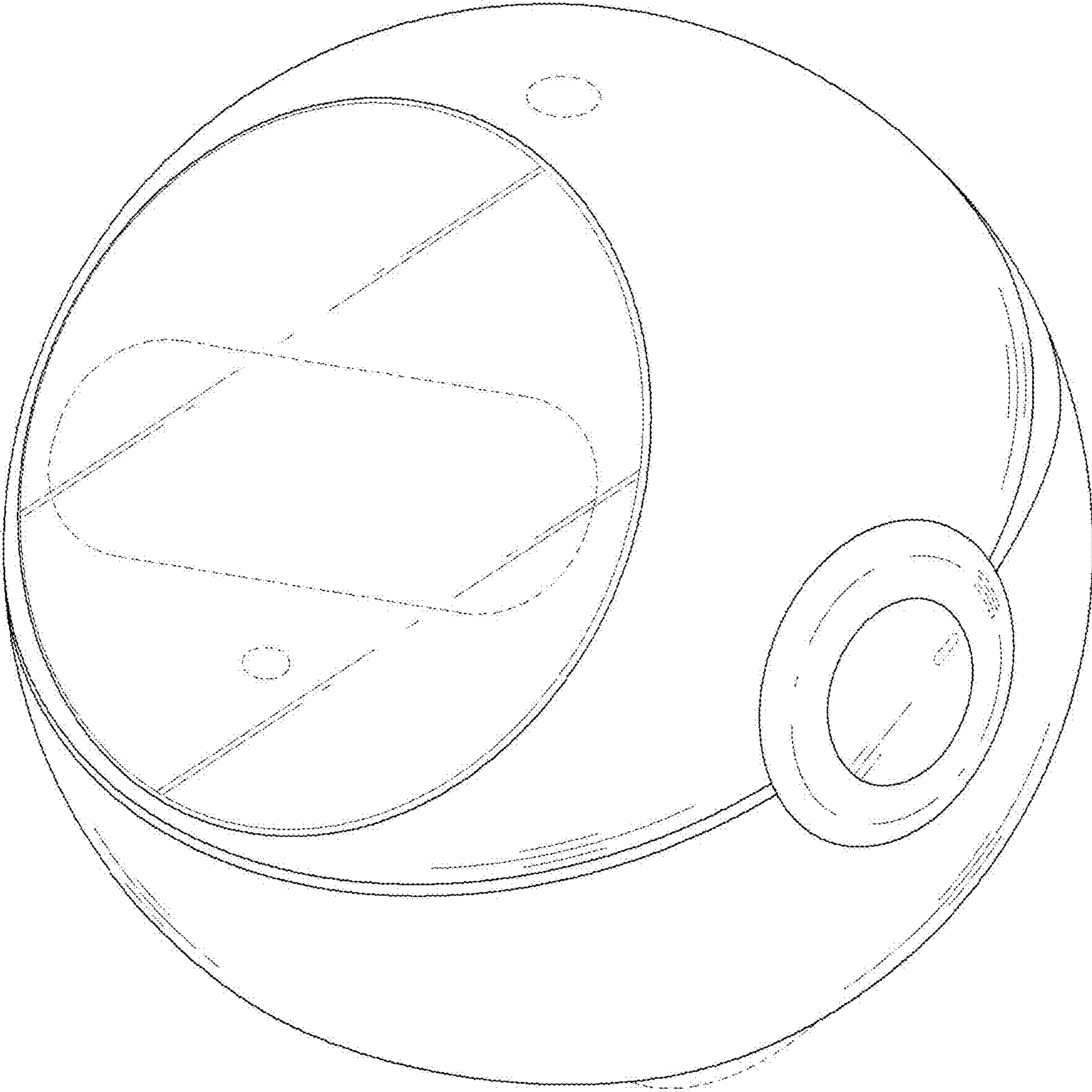
References Cited

U.S. PATENT DOCUMENTS

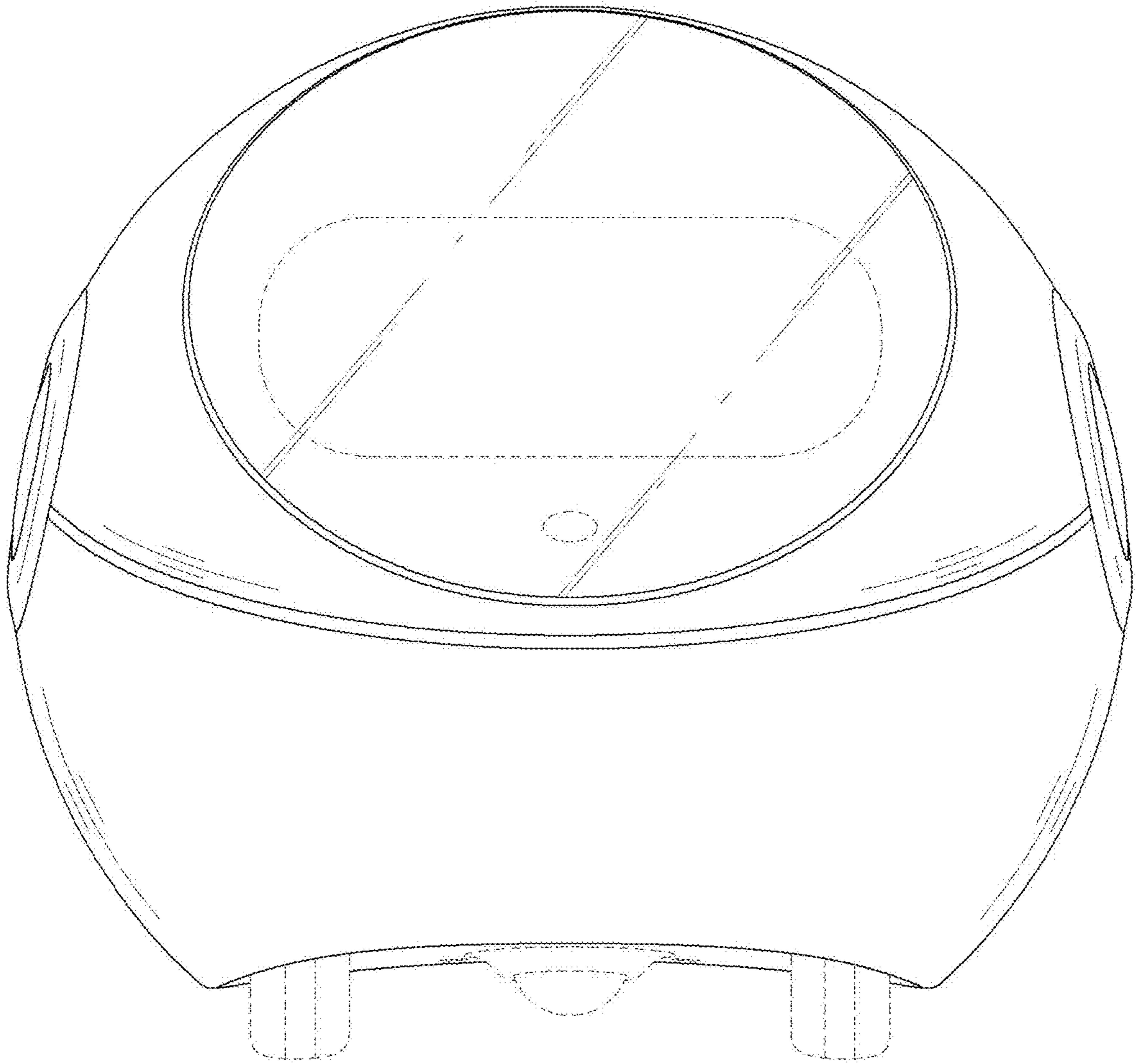
D883,462 S *	5/2020	Wei	D23/366
D883,985 S *	5/2020	Zhang	D14/433
D884,619 S *	5/2020	Liao	D13/108
D884,673 S *	5/2020	Han	D14/216
D885,365 S *	5/2020	Yanjie	D14/211
D885,368 S *	5/2020	Yanjie	D14/216

* cited by examiner

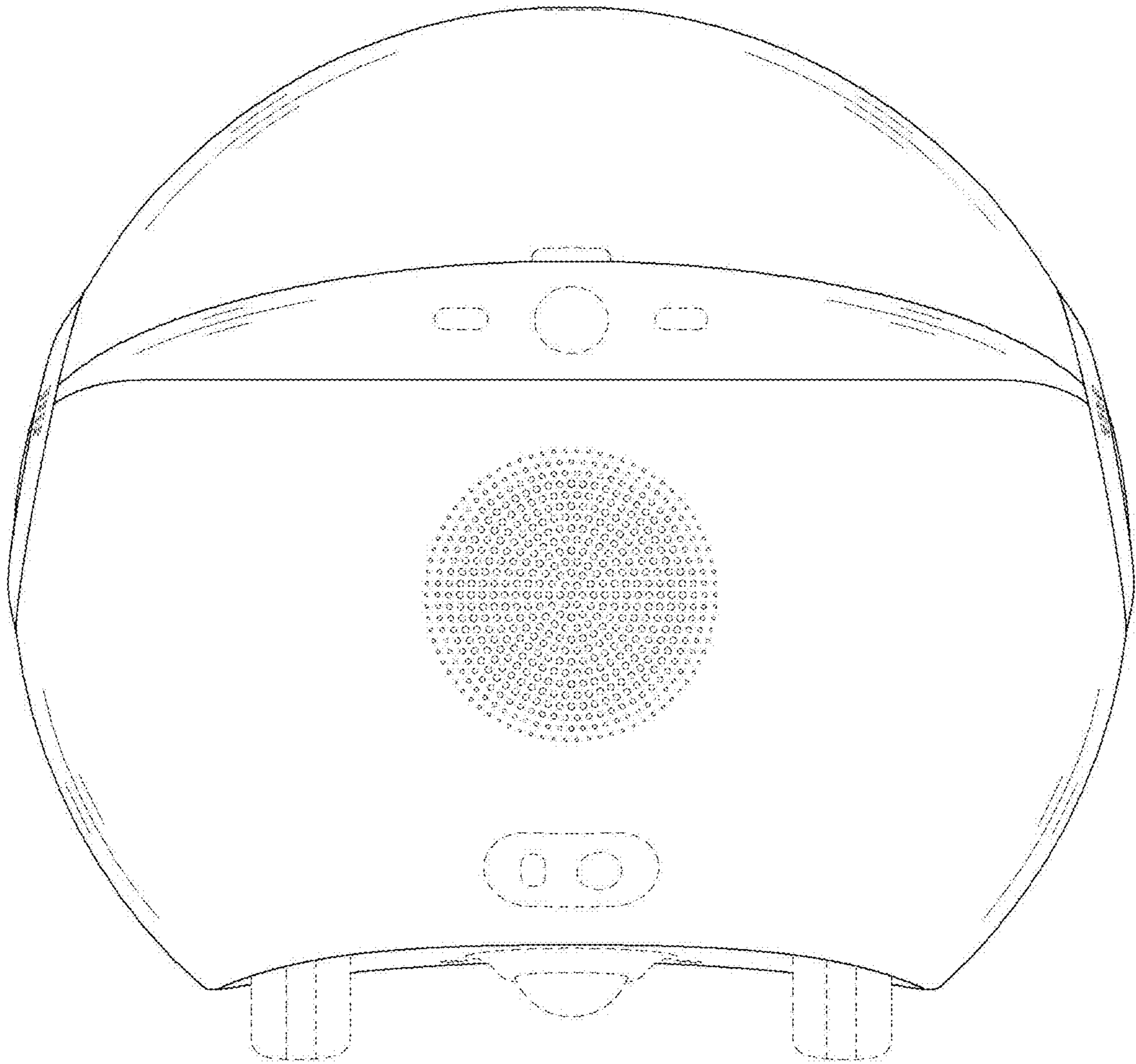
1.1



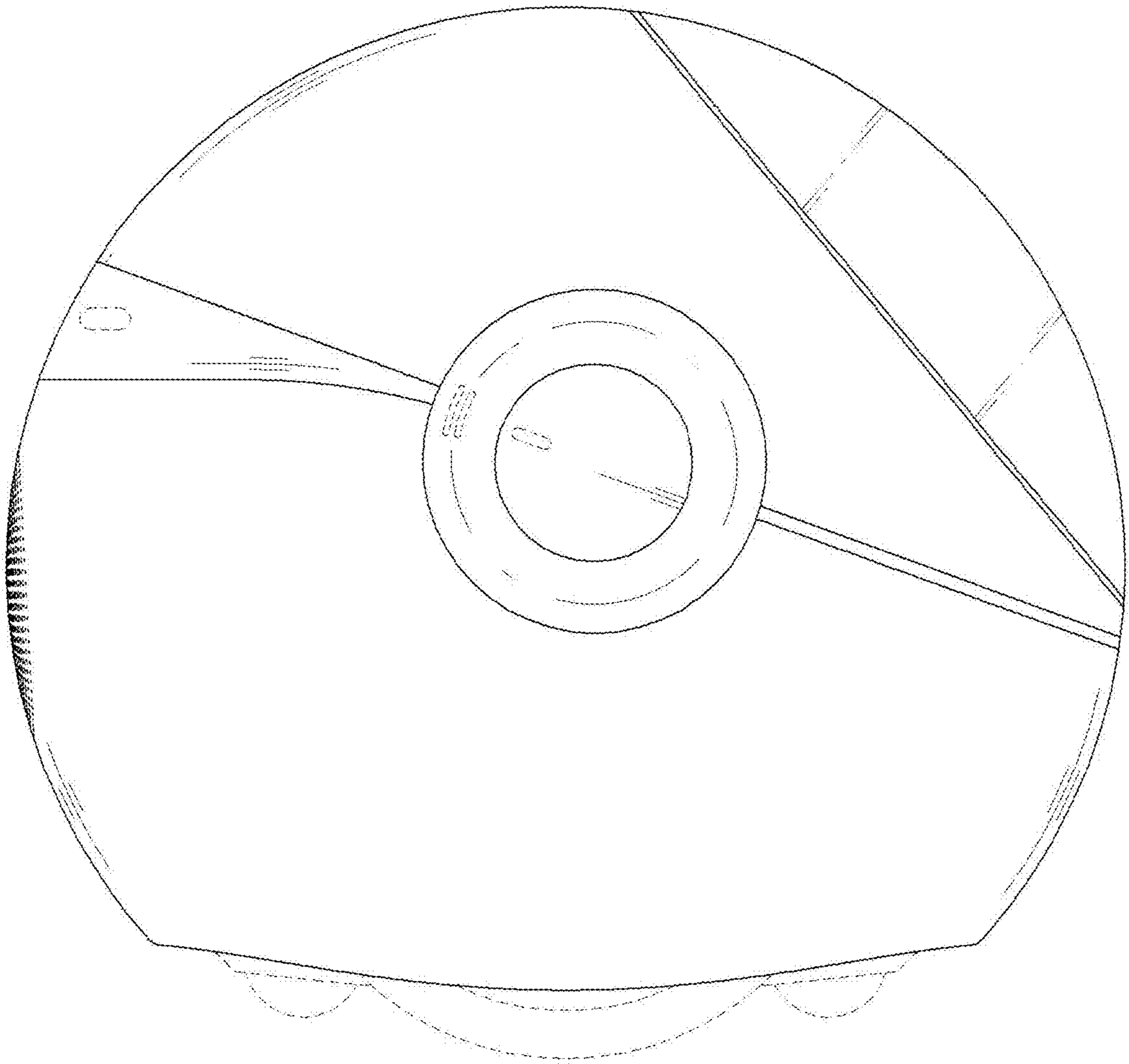
1.2



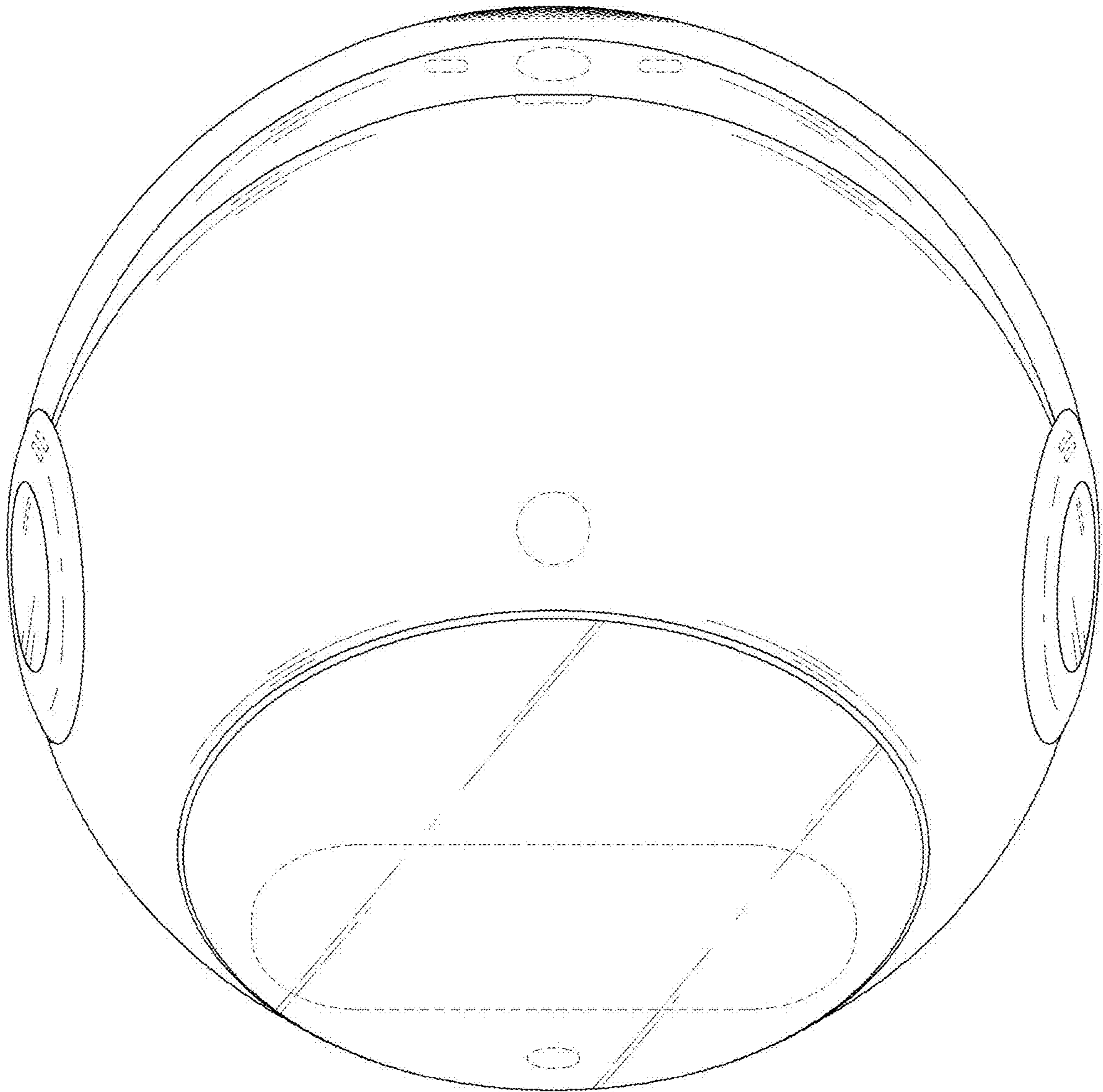
1.3



1.4



1.5



1.6

