



US00D928780S

(12) **United States Design Patent** (10) **Patent No.:** **US D928,780 S**
Tham et al. (45) **Date of Patent:** **** Aug. 24, 2021**

(54) **WEARABLE ELECTRONIC DEVICE**

(71) Applicants: **Yu Jiang Tham**, San Diego, CA (US);
Gerald Nilles, Culver City, CA (US);
Jonathan M. Rodriguez, II, Beverly Hills, CA (US); **Nir Daube**, Pacific Palisades, CA (US)

(72) Inventors: **Yu Jiang Tham**, San Diego, CA (US);
Gerald Nilles, Culver City, CA (US);
Jonathan M. Rodriguez, II, Beverly Hills, CA (US); **Nir Daube**, Pacific Palisades, CA (US)

(73) Assignee: **Snap Inc.**, Santa Monica, CA (US)

(**) Term: **15 Years**

(21) Appl. No.: **29/716,800**

(22) Filed: **Dec. 12, 2019**

(51) **LOC (13) Cl.** **14-02**

(52) **U.S. Cl.**
USPC **D14/344**

(58) **Field of Classification Search**
USPC ... D14/126-130, 138, 138 R, 144, 300, 341,
D14/344, 358, 388, 485-495, 218;
D10/30-39, 40, 41, 46, 70, 79, 98, 106.5,
D10/106.6, 106.92, 106.94, 114.6, 123,
D10/125-128, 131; D11/1-4, 26, 40-41,
D11/93, 94, 78.1, 79, 86; D24/167-169,
D24/186-187, 164; D21/324-329
CPC A41D 1/002; A41D 19/0034; G06F 1/08;
G06F 1/10; G06F 1/14; G06F 1/1626;
G06F 1/1628; G06F 1/163; G06F 1/1635;
G06F 1/3203; G06F 1/1613; G06F
2200/1633; G06F 3/0488; G06F 3/04886;
G06F 3/044; G06F 3/0412; G06F 3/0416;
G06F 1/3215; G06F 2203/04102; G06Q
20/10; G06Q 20/12; G06Q 20/108; G06Q
20/145; H04B 1/3833; H04B 1/385;
H04B 1/3888; H04M 1/02; H04M 1/03;
H04M 1/04; H04M 1/05;

(Continued)

(56) **References Cited**

U.S. PATENT DOCUMENTS

D734,329 S * 7/2015 Lee D14/344
D756,999 S * 5/2016 von Badinski D14/344

(Continued)

OTHER PUBLICATIONS

Token Ring Review, smartringnews.com, [online], [site visited Mar. 3, 2021], Available from internet URL: <https://www.smartringnews.com/posts/token-ring-review-is-it-the-best-nfc-smart-ring-for-contactless-payments-and-access> (Year: 2021).*

(Continued)

Primary Examiner — Samantha Q Lawrence

Assistant Examiner — Holly M Rodriguez

(74) *Attorney, Agent, or Firm* — Culhane Meadows PLLC; Stephen J. Weed

(57) **CLAIM**

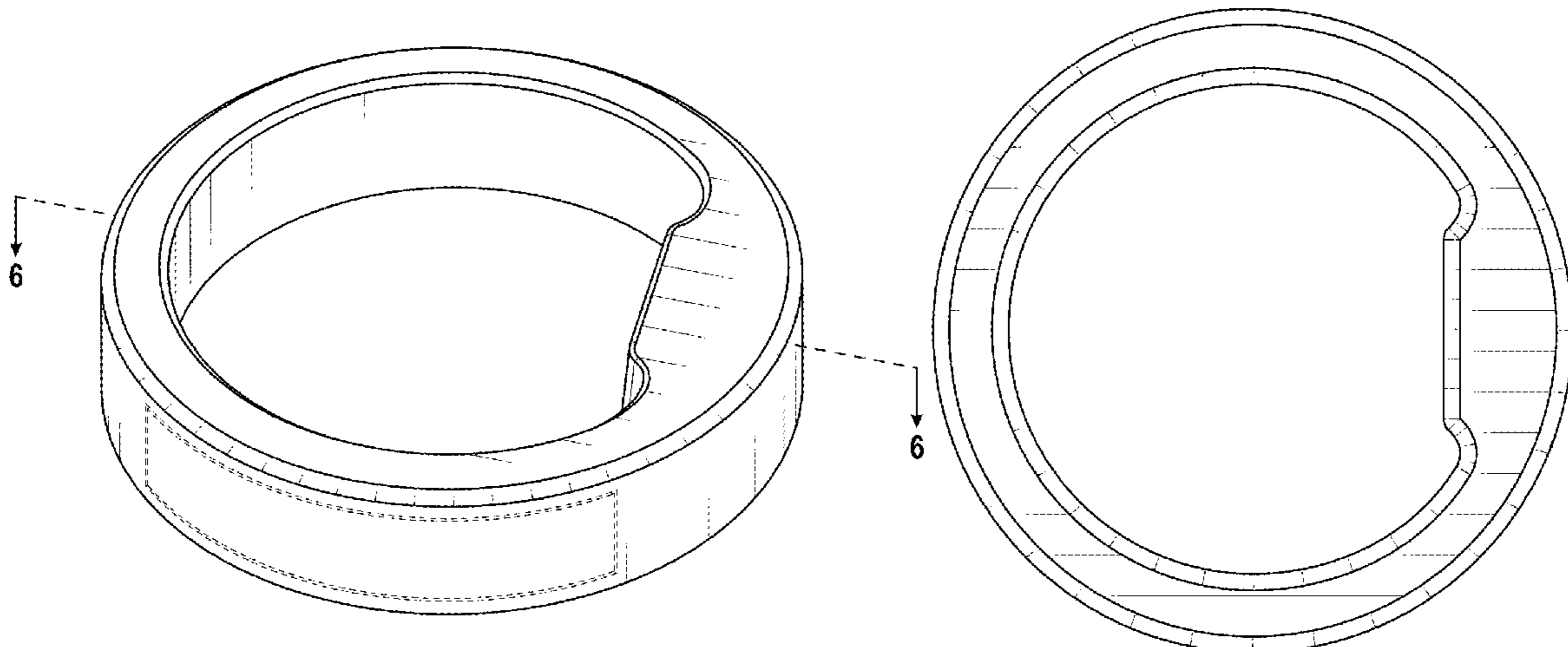
The ornamental design for a wearable electronic device, as shown and described.

DESCRIPTION

FIG. 1 is a perspective view showing the front and right side of a wearable electronic device showing our new design; FIG. 2 is a top plan view thereof, the bottom plan view being a mirror image thereof; FIG. 3 is a right side view thereof; FIG. 4 is a left side view thereof; FIG. 5 is a sectional view taken along line 5-5 of FIG. 3; and, FIG. 6 is a side sectional view taken along line 6-6 of FIG. 1.

The broken lines shown in FIGS. 1, 3, and 5 illustrate portions of the wearable electronic device and form no part of the claimed design.

1 Claim, 3 Drawing Sheets



(58) **Field of Classification Search**
 CPC H04M 1/667; H04M 1/6058; Y02B
 60/1217; A44C 5/0007; A44C 5/0015;
 A44C 5/0023; A44C 5/0084
 See application file for complete search history.

2011/0209374 A1* 9/2011 Padgett A44C 5/0015
 40/633
 2013/0104599 A1* 5/2013 Beldiman A44C 5/003
 63/1.14
 2016/0026215 A1* 1/2016 Armstrong H02J 7/32
 320/103
 2017/0038797 A1* 2/2017 Ohsawa G06F 3/0412
 2021/0037932 A1* 2/2021 Min A44C 9/0023

(56) **References Cited**

U.S. PATENT DOCUMENTS

D771,511 S * 11/2016 Poesel D10/104.1
 D779,358 S * 2/2017 Lin D11/4
 D779,995 S * 2/2017 Roberts D11/3
 D786,862 S * 5/2017 Park D14/344
 D791,765 S * 7/2017 von Badinski D14/344
 D798,293 S * 9/2017 Park D14/344
 9,814,148 B1 * 11/2017 Huang H05K 5/0086
 D804,471 S * 12/2017 von Badinski D14/344
 D805,736 S * 12/2017 Dubose D2/858
 D832,130 S * 10/2018 Bostic D11/4
 D838,194 S * 1/2019 Mays D10/70
 D844,600 S * 4/2019 Choi D14/344
 D884,502 S * 5/2020 Kivela D10/70
 2010/0085279 A1* 4/2010 Repko G06F 3/14
 345/76

OTHER PUBLICATIONS

The Smart Ring: From the 17th Century Wearable Abacus to Today,
 first available Mar. 7, 2017, interestingengineering.com, [online],
 [site visited Mar. 3, 2021], Available from internet URL: <https://interestingengineering.com/smart-ring-17th-century-wearable-abacus-today> (Year: 2017).*
 \$250 accessory can be used to make payments, first available Jul. 5,
 2017, dailymail.co.uk, [online], [site visited Feb. 6, 2020], Available
 from internet URL: <https://www.dailymail.co.uk/sciencetech/article-4668286/250-smart-RING-used-make-payments.html> (Year: 2017).*

* cited by examiner

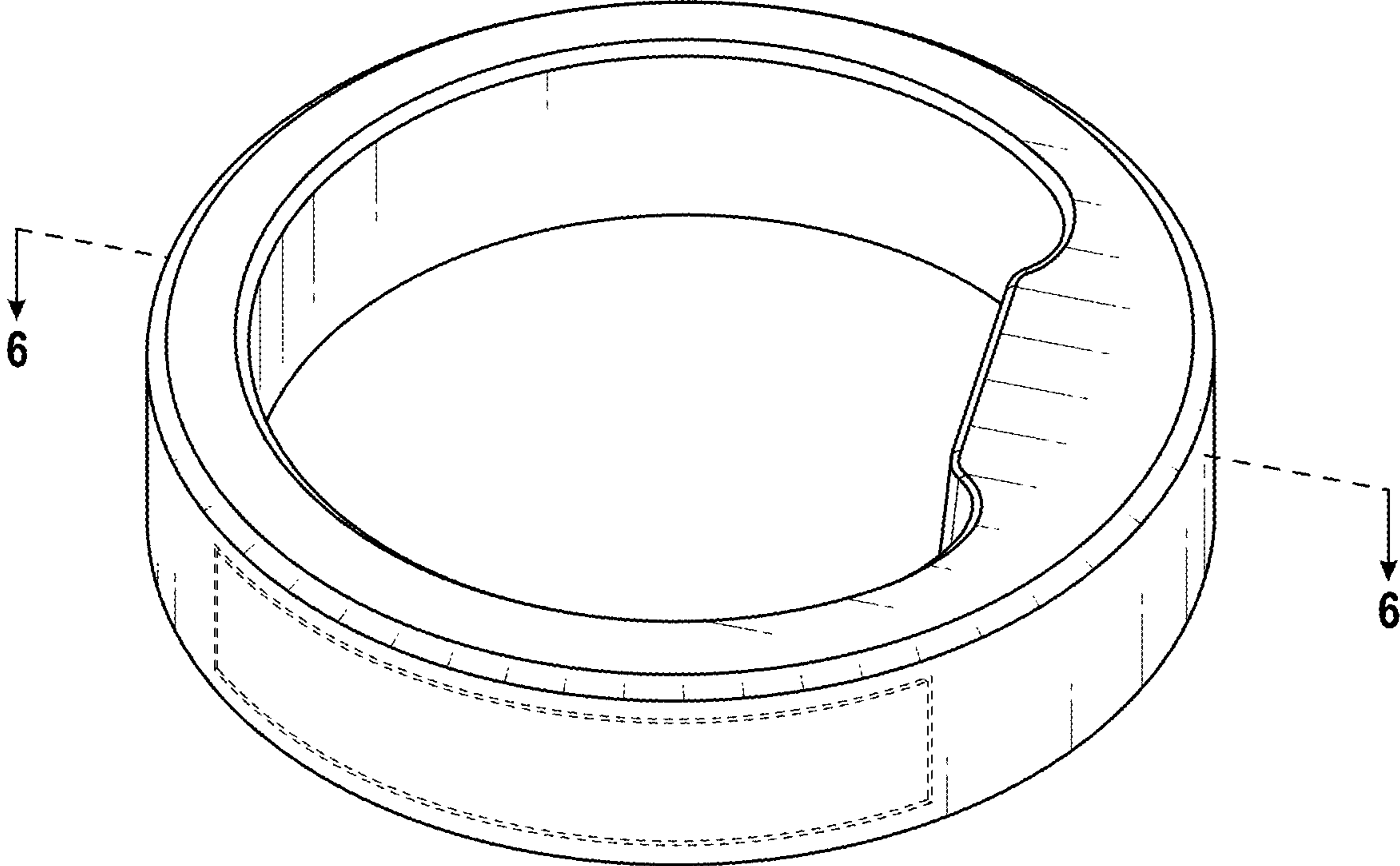


FIG. 1

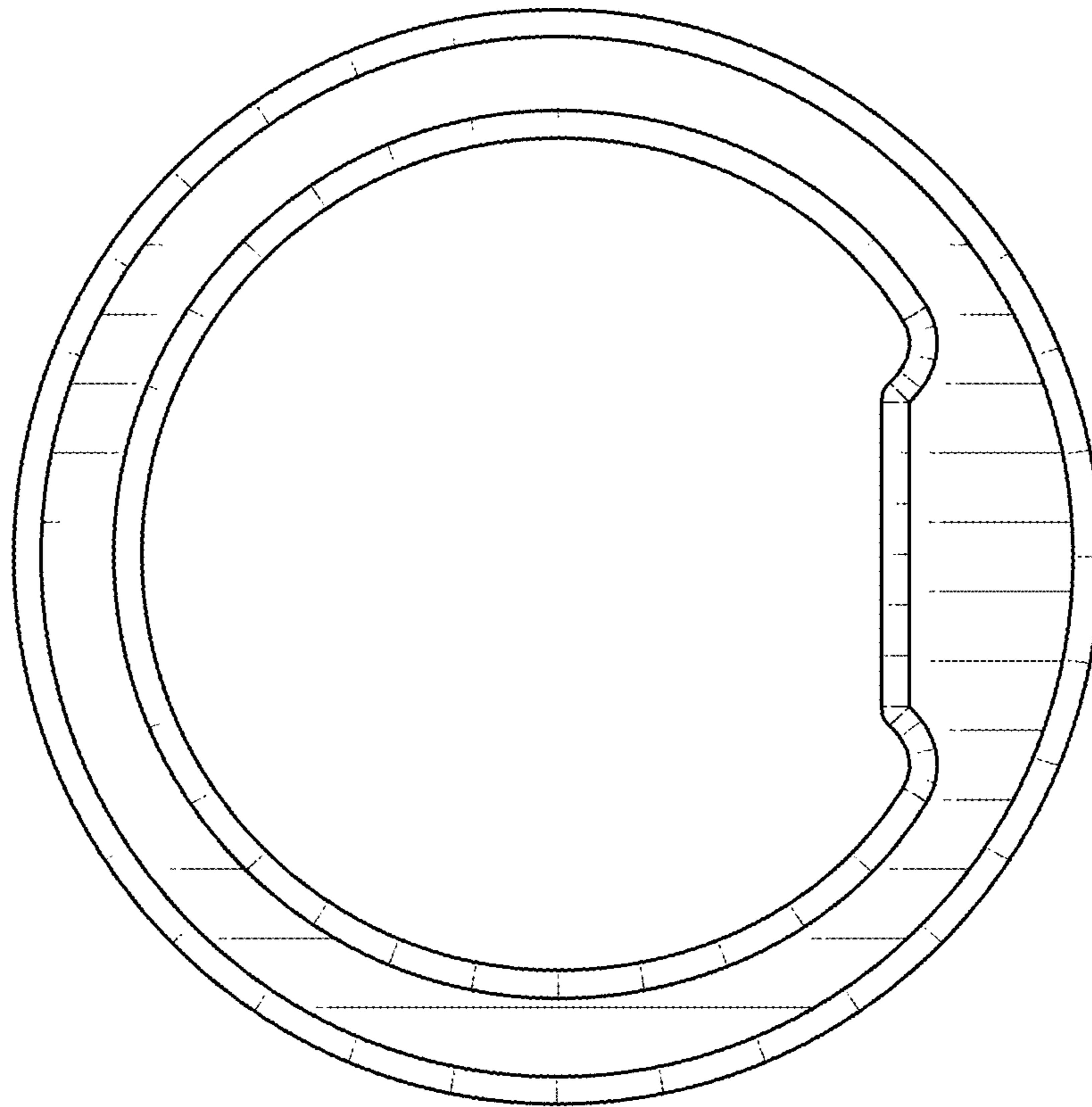


FIG. 2

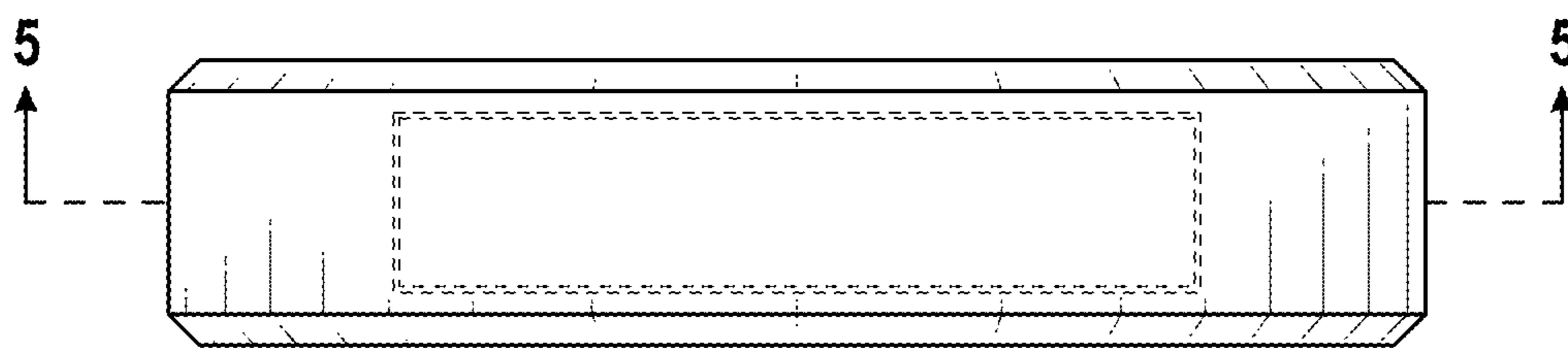


FIG. 3

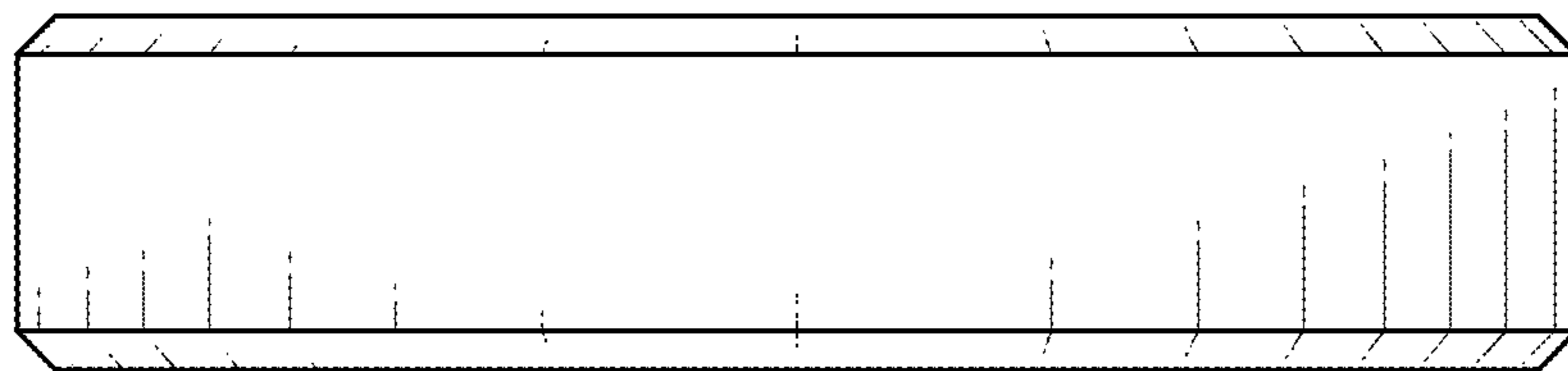


FIG. 4

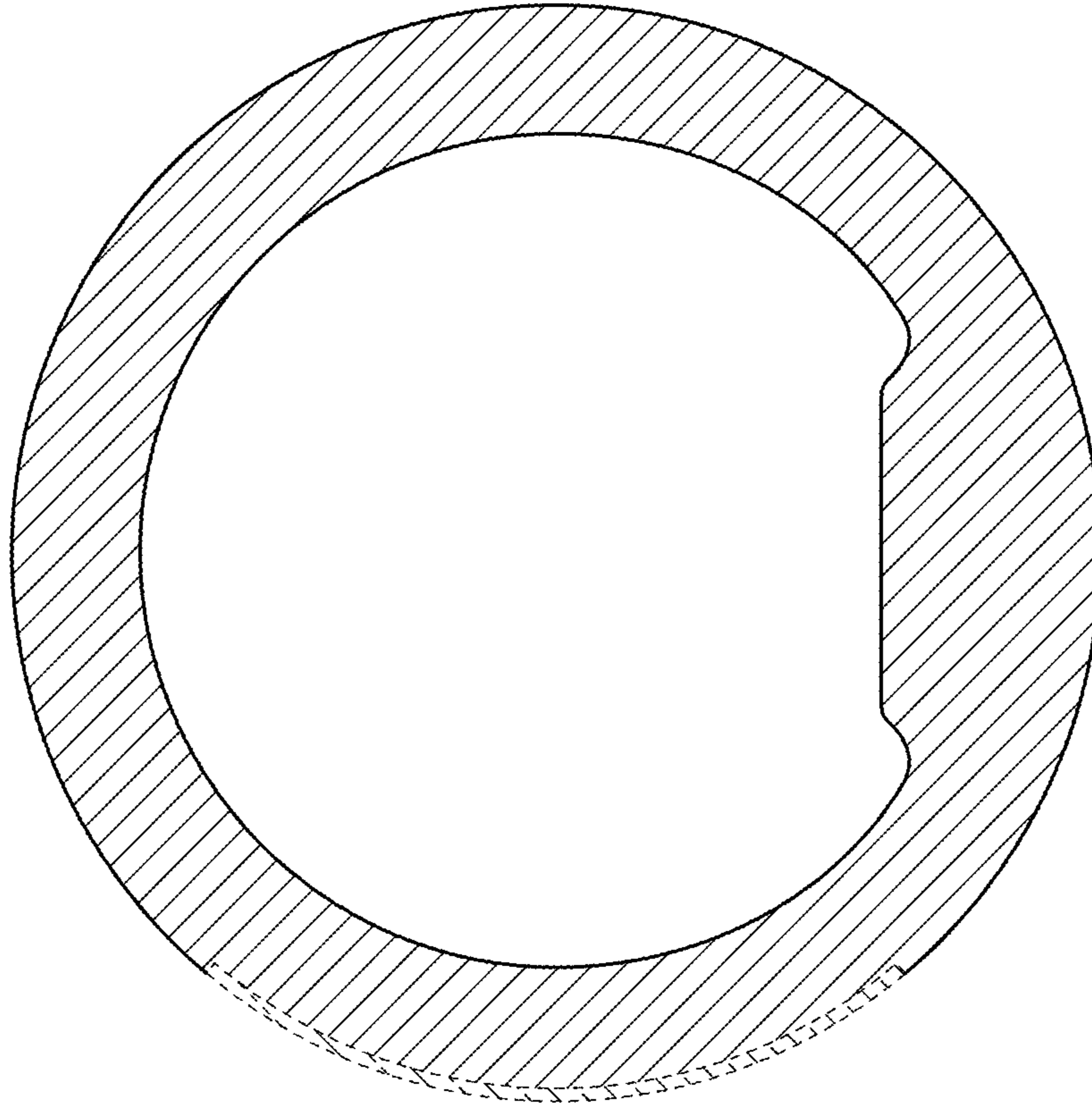


FIG. 5

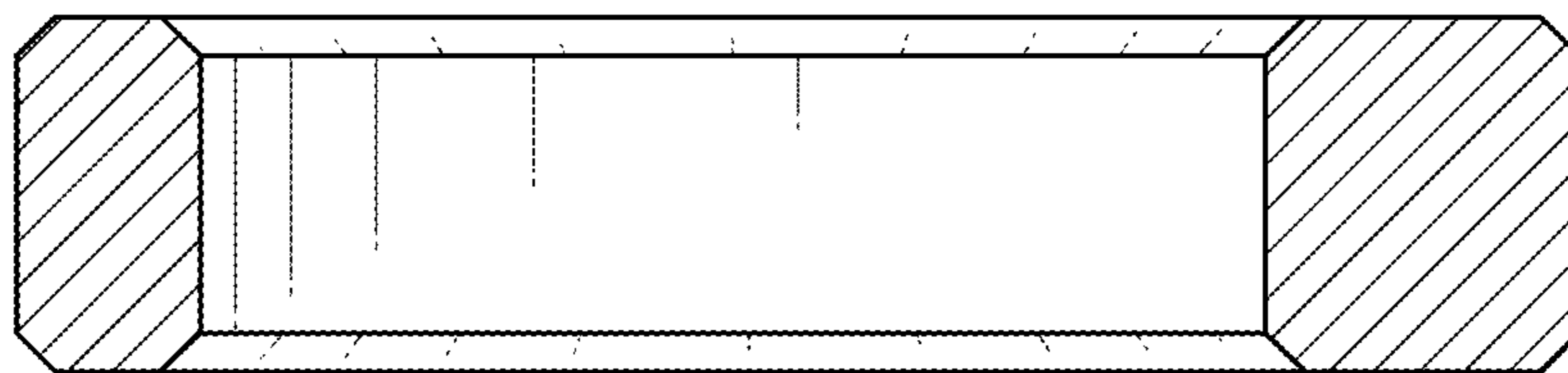


FIG. 6