

US00D928779S

(12) **United States Design Patent** (10) **Patent No.:** **US D928,779 S**
Koza et al. (45) **Date of Patent:** **** Aug. 24, 2021**

- (54) **TABLET COMPUTER FOR AUTOMOTIVE TESTERS**
- (71) Applicant: **DevCom, spol. s r.o.**, Prague (CZ)
- (72) Inventors: **Matej Koza**, Prague (CZ); **Lubos Jelinek**, Prague (CZ); **Petr Bartl**, Prague (CZ); **Radek Jaros**, Tuhan (CZ)
- (**) Term: **15 Years**
- (21) Appl. No.: **35/508,588**
- (22) Filed: **Dec. 6, 2019**
- (80) **Hague Agreement Data**
 Int. Filing Date: **Dec. 6, 2019**
 Int. Reg. No.: **DM/205769**
 Int. Reg. Date: **Dec. 6, 2019**
 Int. Reg. Pub. Date: **Feb. 14, 2020**
- (51) **LOC (13) Cl.** **14-02**
- (52) **U.S. Cl.**
 USPC **D14/341**
- (58) **Field of Classification Search**
 USPC D14/315–318, 341–347, 420, 426, 240, D14/129, 130, 496, 137, 138 R, 138 AA, D14/138 AB, 138 AC, 138 AD, 138 C, D14/138 G, 147, 203.1–203.8, 218, 247, D14/250, 371, 248, 388, 389, 374, 440
 CPC G06F 3/044; G06F 1/1613; G06F 1/1626; G06F 2200/1633; G06F 3/0488; G06F 3/04886; G06F 3/0412; G06F 3/0416; H04B 1/3833
 See application file for complete search history.
- (56) **References Cited**
 U.S. PATENT DOCUMENTS
 D638,006 S * 5/2011 Chang D14/250
 D650,766 S * 12/2011 Hong D14/138 G

- D654,049 S * 2/2012 Chung D14/138 G
 D654,499 S * 2/2012 Wesolek D14/346
 D687,806 S * 8/2013 Hachiya D14/138 G
 D689,851 S * 9/2013 Chang D14/250
 D762,642 S * 8/2016 Johnson D14/371
 D784,311 S * 4/2017 Yoon D14/248
 D793,389 S * 8/2017 Kim D14/341
 D795,214 S * 8/2017 Tschopp D14/138 G
 D807,335 S * 1/2018 Kitade D14/248
 D820,801 S * 6/2018 Yeom D14/138 AB
 D828,320 S * 9/2018 Tschopp D14/138 G
 D873,785 S * 1/2020 Jannard D14/138 G
 D875,091 S * 2/2020 Kwon D14/341
 D886,088 S * 6/2020 Jannard D14/248
 D888,059 S * 6/2020 Ranade D14/432
 D896,209 S * 9/2020 Jannard D14/248
 D899,415 S * 10/2020 Kwak D14/250
 D901,489 S * 11/2020 Seo D14/341
 2012/0309473 A1 * 12/2012 Choo G06F 1/1656
 455/575.7
 2015/0355684 A1 * 12/2015 Nakamura G06F 1/1671
 361/679.3
 2016/0044148 A1 * 2/2016 Pizzo H04M 1/0264
 455/575.8
 2019/0014319 A1 * 1/2019 Jannard H04N 19/18

* cited by examiner

Primary Examiner — Bao-Yen T Nguyen

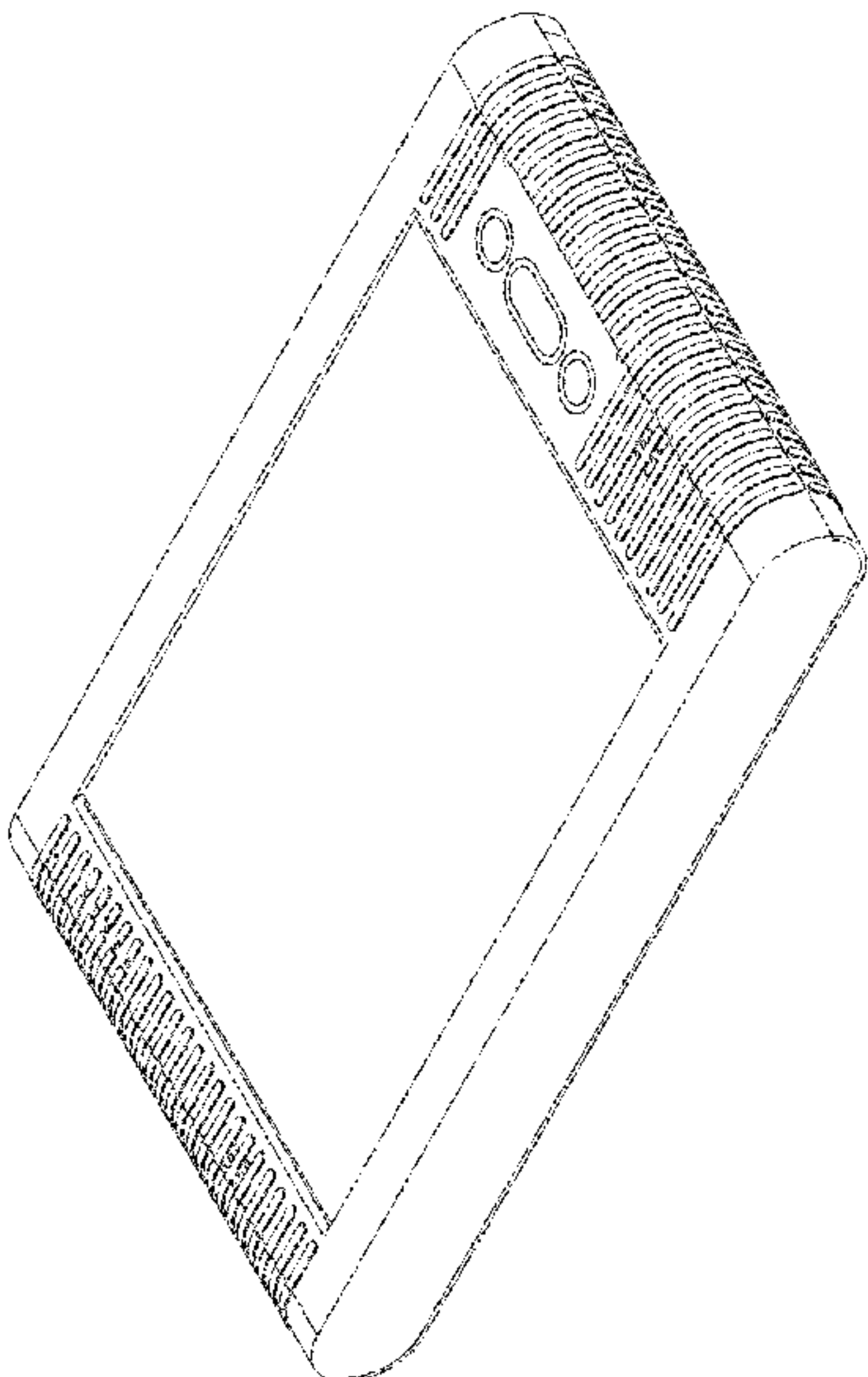
(57) **CLAIM**

The ornamental design for a tablet computer for automotive testers, as shown and described.

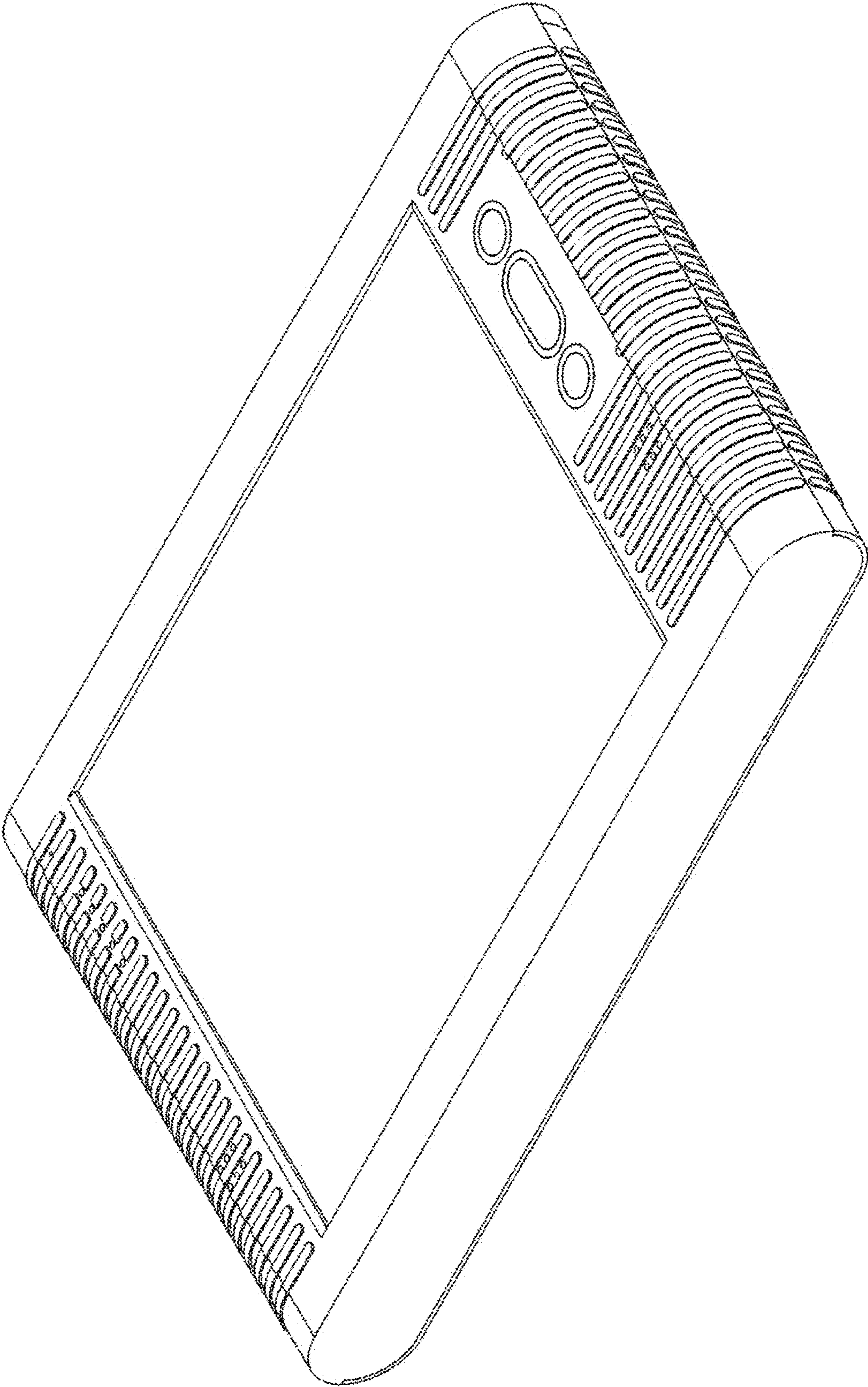
DESCRIPTION

1. Tablet computer for automotive testers
- 1.1 : Perspective
- 1.2 : Back
- 1.3 : Front
- 1.4 : Perspective
- 1.5 : Bottom

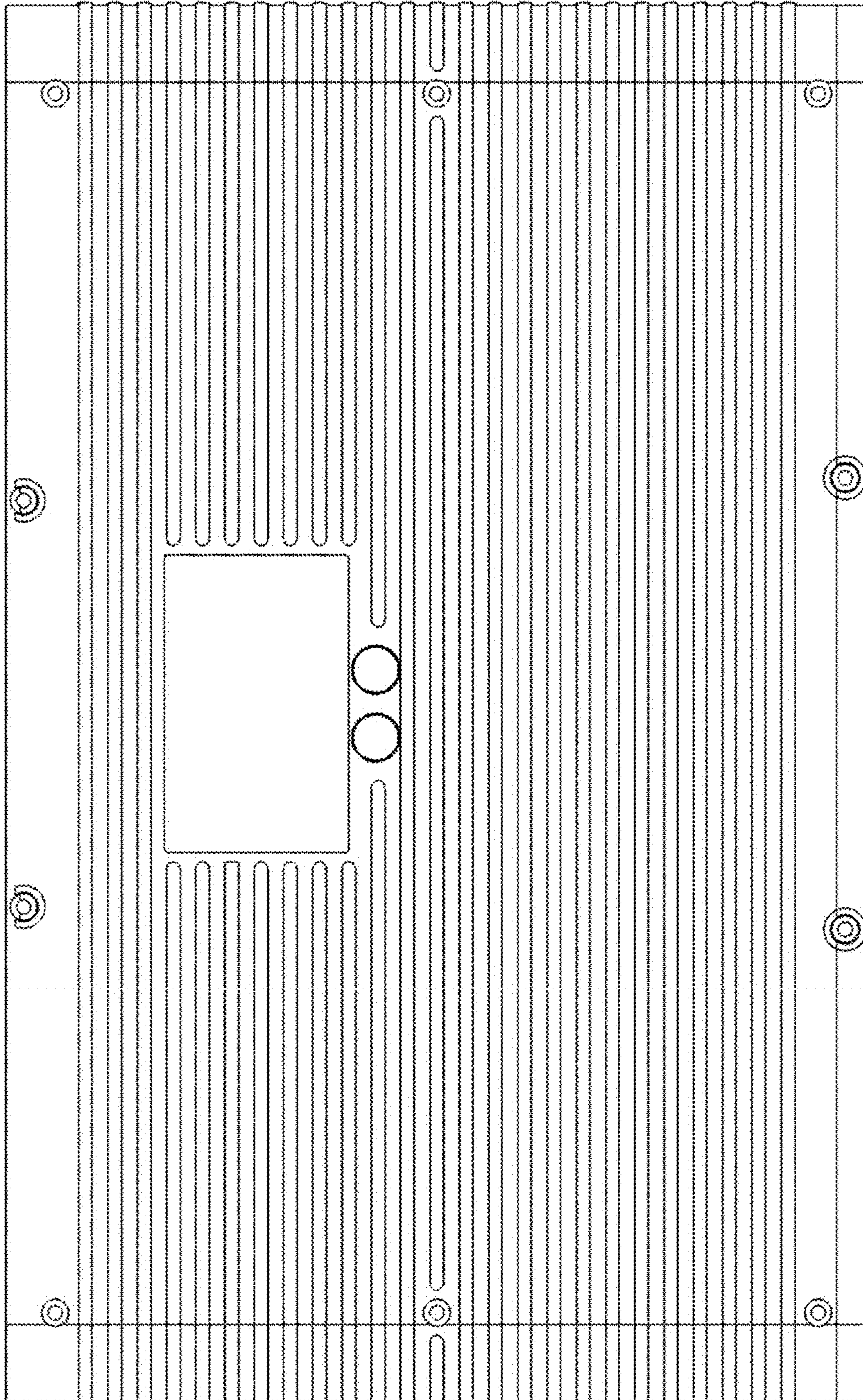
1 Claim, 5 Drawing Sheets



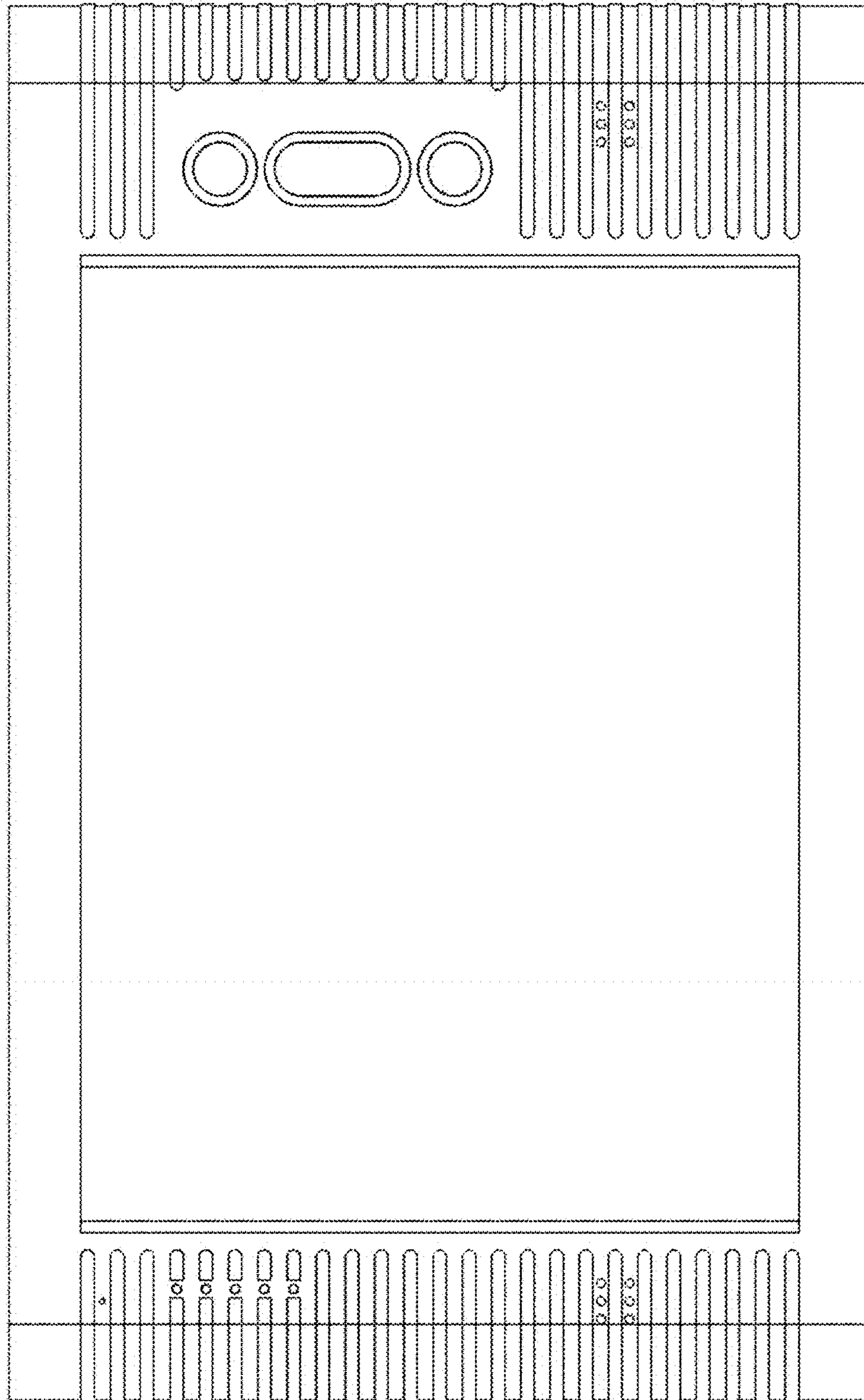
1.1



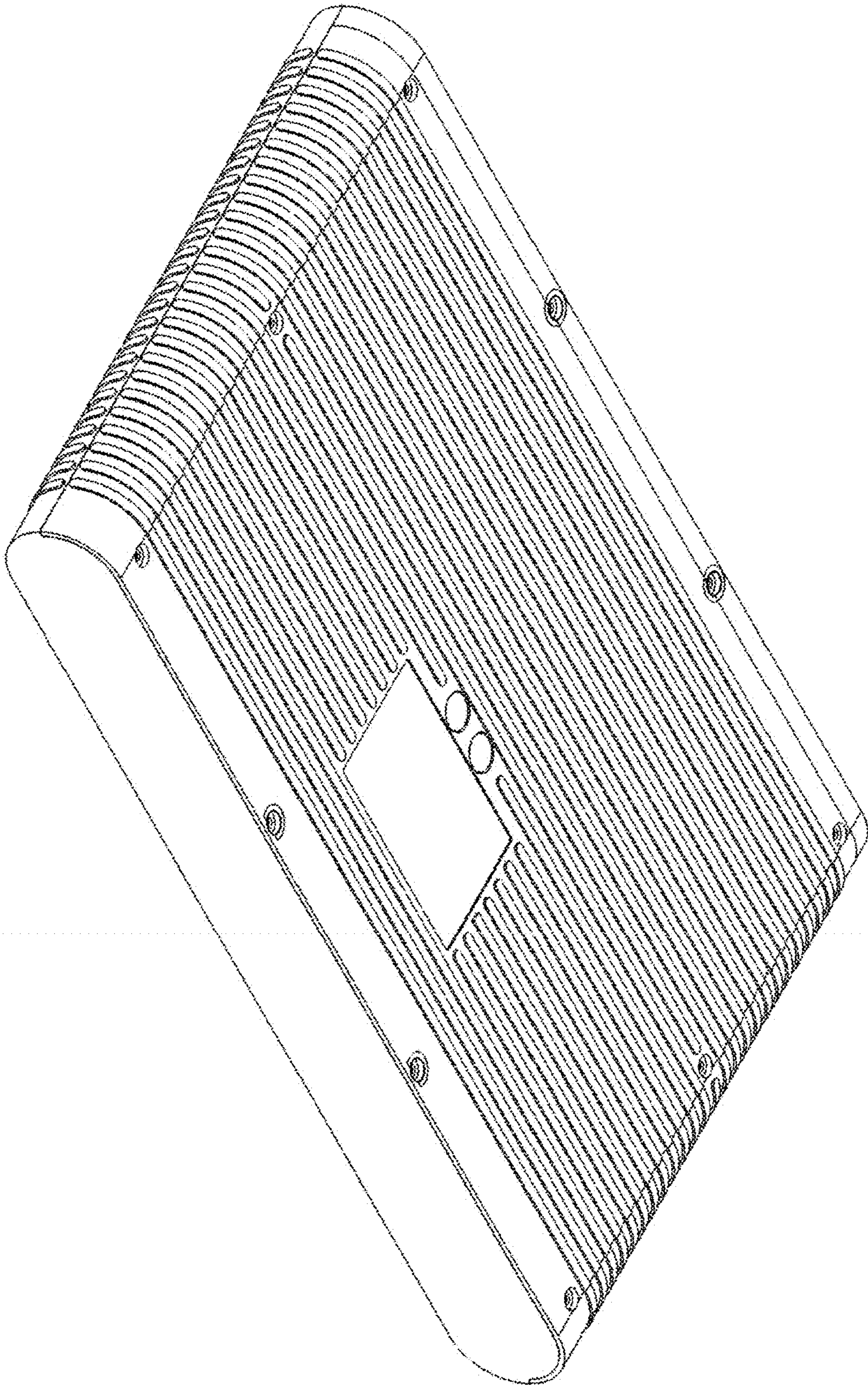
1.2



1.3



1.4



1.5

