



US00D928776S

(12) **United States Design Patent**
Seok et al.

(10) **Patent No.:** **US D928,776 S**
(45) **Date of Patent:** **** Aug. 24, 2021**

(54) **ELECTRONIC DEVICE**

(71) Applicant: **SAMSUNG ELECTRONICS CO., LTD.**, Suwon-si (KR)

(72) Inventors: **Tae-Won Seok**, Suwon-si (KR); **Sang Sik Park**, Suwon-si (KR)

(73) Assignee: **SAMSUNG ELECTRONICS CO., LTD.**, Gyeonggi-do (KR)

(**) Term: **15 Years**

(21) Appl. No.: **29/712,875**

(22) Filed: **Nov. 12, 2019**

(30) **Foreign Application Priority Data**

Sep. 19, 2019 (KR) 30-2019-0044991

(51) **LOC (13) Cl.** **14-02**

(52) **U.S. Cl.**
USPC **D14/341**

(58) **Field of Classification Search**
USPC D14/341, 388-389, 371, 374, 420, 426,
D14/129-130, 315-318, 342-347, 496;
D21/324, 329; D24/186; D10/104.4, 50,
D10/65, 74

CPC G06F 1/16; G06F 1/1632; G06F 1/1616;
G06F 1/1626; G06F 1/1658; G06F
1/1688; G06F 1/1613; G06F 2200/1633;
G06F 3/0488; G06F 3/04886; G06F
3/044; G06F 3/0412; G06F 3/0416;
H01M 10/44; F16M 11/10; F16M 11/02;
H05K 7/1465; A45C 2011/002; A45C
2011/003; H04B 1/3888; H04M 1/185

See application file for complete search history.

(56) **References Cited**

U.S. PATENT DOCUMENTS

D601,557 S 10/2009 Wesolek
D691,996 S * 10/2013 Ohshima D14/341

D694,751 S * 12/2013 Ju D14/341
D701,202 S * 3/2014 Choi D14/341
D716,799 S * 11/2014 Green D14/341
D719,151 S * 12/2014 Hirayama D14/341
D720,745 S * 1/2015 Yeo D14/341

(Continued)

FOREIGN PATENT DOCUMENTS

WO DM078939 3/2012

OTHER PUBLICATIONS

Samsung Galaxy Tab Active Pro Review, first available Jun. 25, 2020, hothardware.com, [online], [site visited Dec. 30, 2020], Available from internet URL: <https://hothardware.com/reviews/samsung-galaxy-tab-active-pro> (Year: 2020).*

(Continued)

Primary Examiner — Samantha Q Lawrence

Assistant Examiner — Holly M Rodriguez

(74) *Attorney, Agent, or Firm* — Cantor Colburn LLP

(57) **CLAIM**

The ornamental design for an electronic device, as shown and described.

DESCRIPTION

FIG. 1 is a front perspective view of an electronic device, showing our new design;

FIG. 2 is a front view thereof;

FIG. 3 is a rear view thereof;

FIG. 4 is a left-side view thereof;

FIG. 5 is a right-side view thereof;

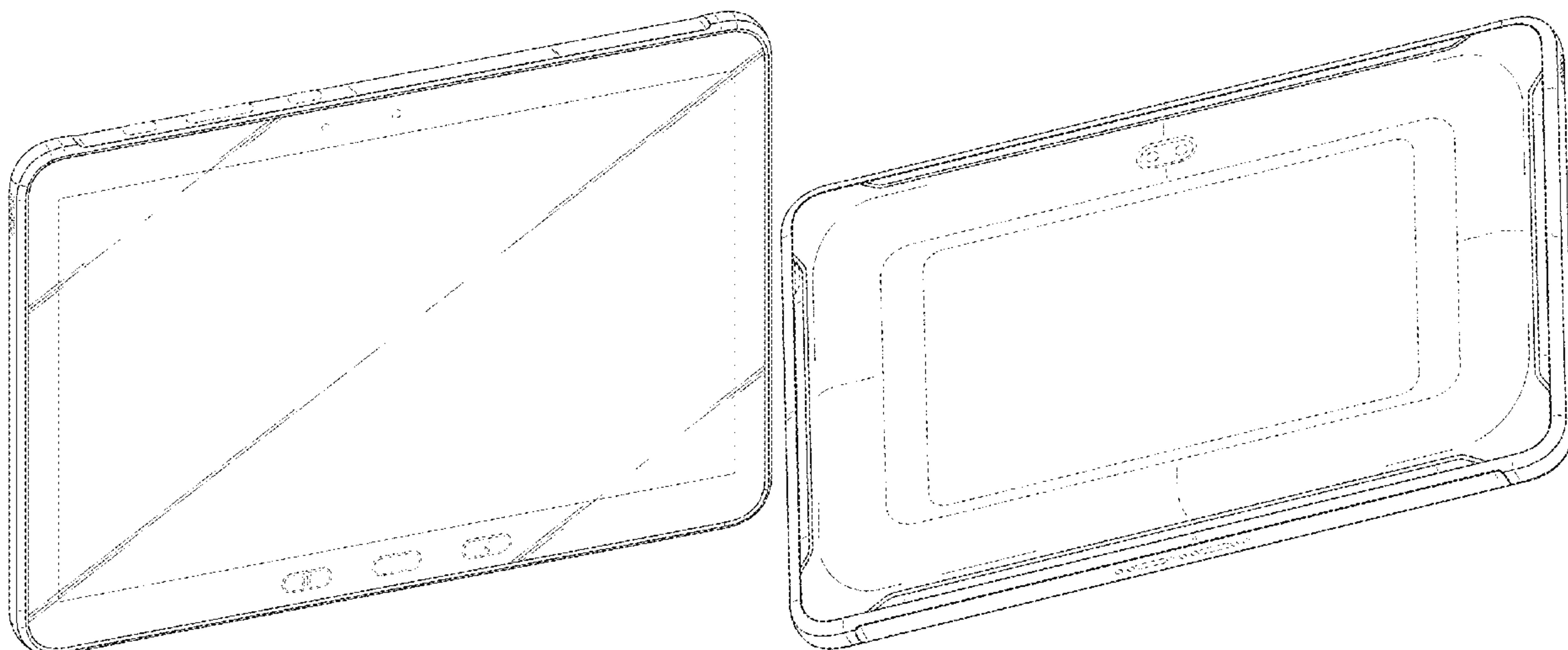
FIG. 6 is a top view thereof;

FIG. 7 is a bottom view thereof; and,

FIG. 8 is a rear perspective view thereof.

The broken lines in the figures depict portions of the electronic device and environmental subject matter that form no part of the claimed design.

1 Claim, 8 Drawing Sheets



(56)

References Cited

U.S. PATENT DOCUMENTS

D720,746 S	*	1/2015	Chung	D14/341
D736,203 S	*	8/2015	Kim	D14/341
D740,280 S		10/2015	Fujioka		
D743,959 S	*	11/2015	Landwehr	D14/341
D745,510 S	*	12/2015	Lee	D14/341
D747,312 S	*	1/2016	Kim	D14/341
D748,620 S	*	2/2016	Chung	D14/341
D807,348 S	*	1/2018	Wang	D14/341
D820,253 S	*	6/2018	Kim	D14/341
D825,554 S		8/2018	Nagai et al.		
D826,931 S	*	8/2018	Chang	D14/341
D878,376 S	*	3/2020	Claudepierre	D14/440

OTHER PUBLICATIONS

Samsung Galaxy Tab Active PRO 10.1, first available Oct. 9, 2019, amazon.com, [online], [site visited Dec. 30, 2020], Available from internet URL: <https://www.amazon.com/Samsung-Galaxy-Active-Water-Resistant-Rugged/dp/B07YNJD8J3?th=1> (Year: 2019).*

Galaxy Tab Active PRO 10.1, samsung.com, [online], [site visited Dec. 30, 2020], Available from internet URL: <https://www.samsung.com/us/business/support/owners/product/galaxy-tab-active-pro-10-1-unlocked/#benefits> (Year: 2020).*

* cited by examiner

FIG. 1

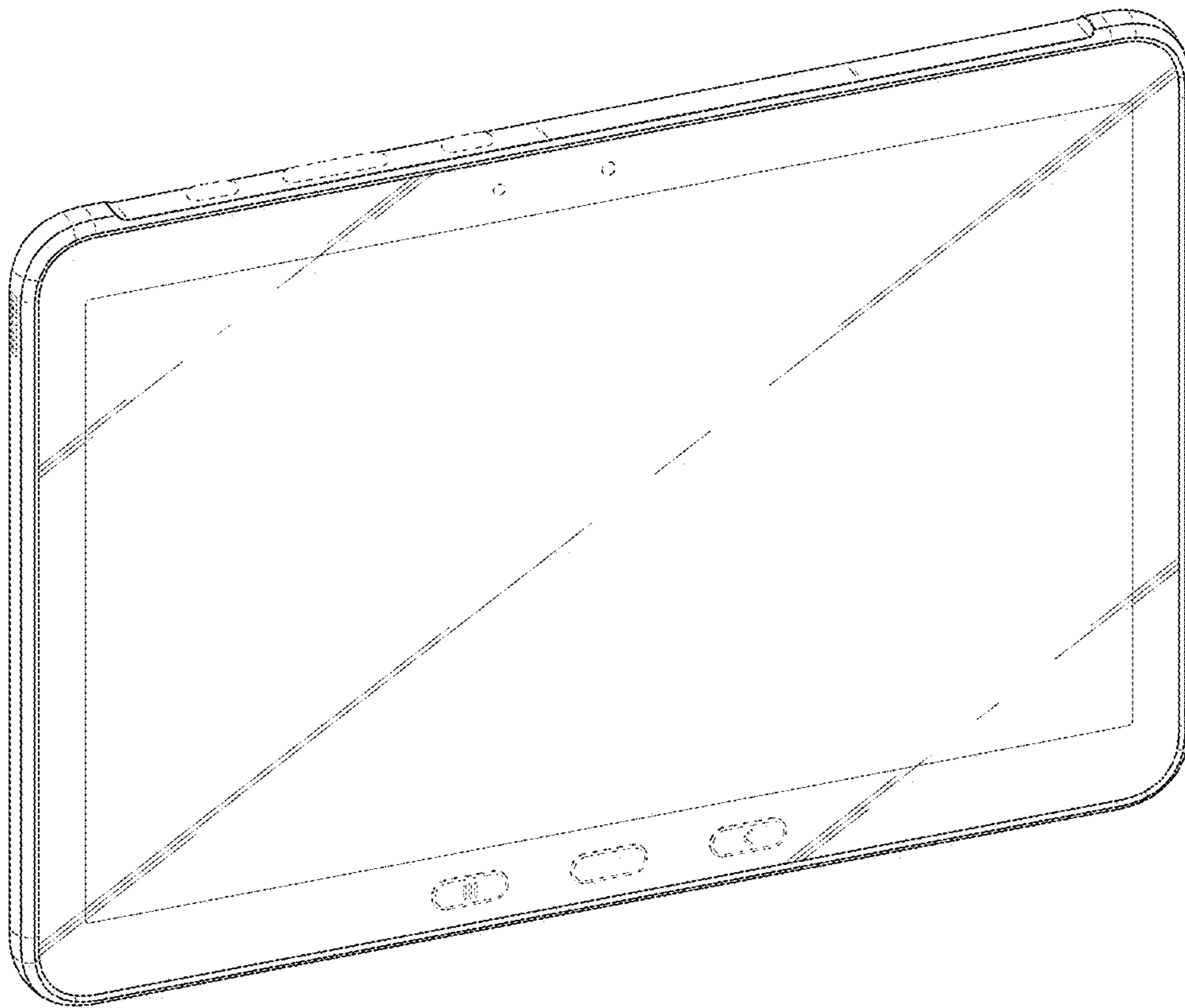


FIG. 2

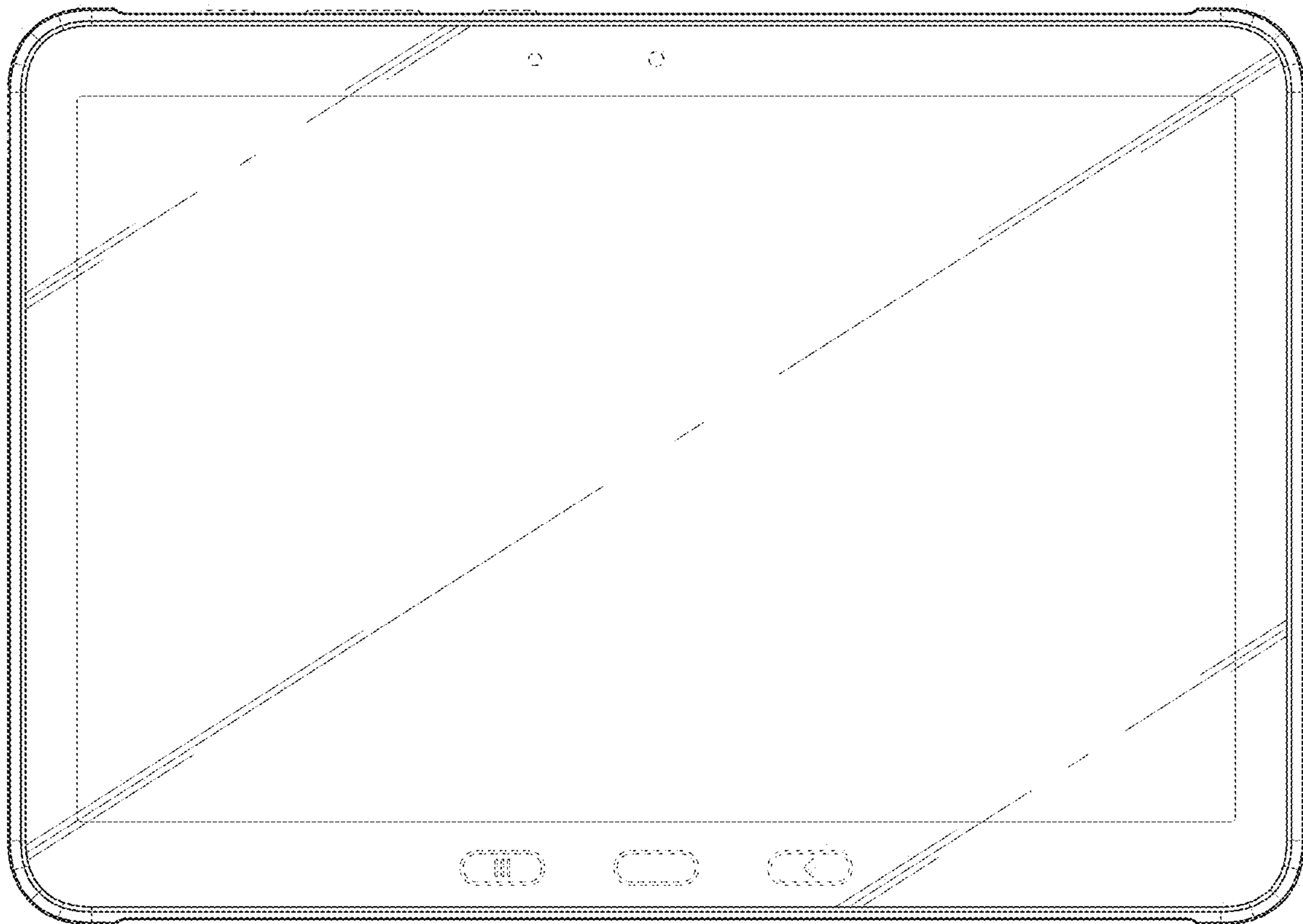


FIG. 3

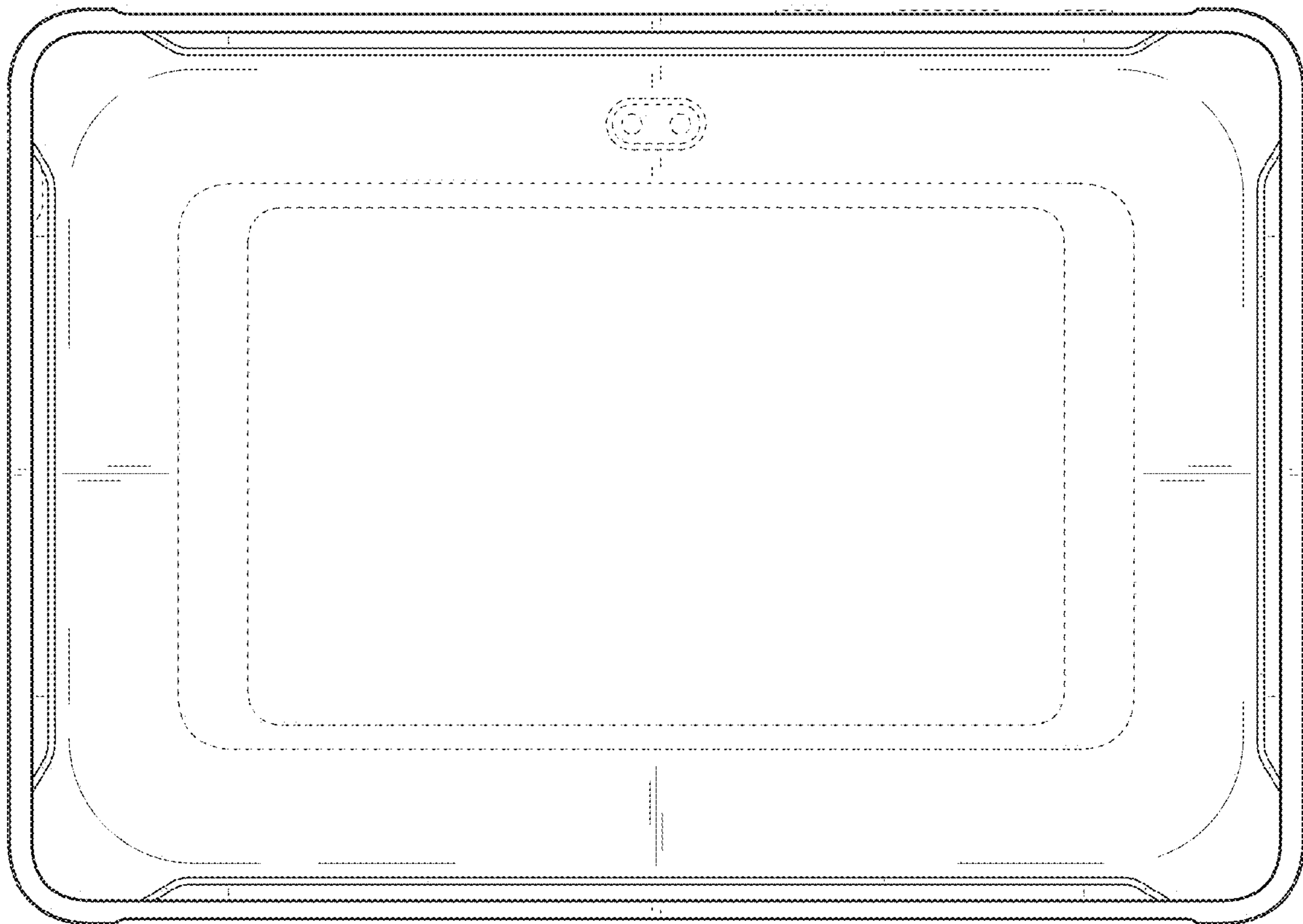


FIG. 4



FIG. 5



FIG. 6



FIG. 7

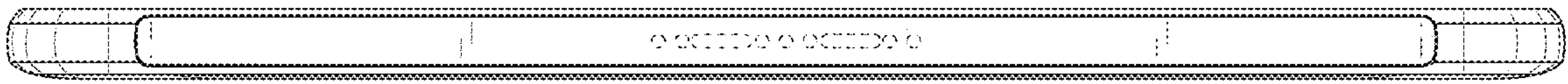


FIG. 8

