



US00D928773S

(12) **United States Design Patent**
Lam et al.

(10) **Patent No.:** **US D928,773 S**
(45) **Date of Patent:** **** Aug. 24, 2021**

(54) **CLOSED LAPTOP COMPUTER**

(71) Applicant: **Google LLC**, Mountain View, CA (US)

(72) Inventors: **Lawrence Lam**, San Jose, CA (US);
Sungyun Kim, Sunnyvale, CA (US);
Bernardo Núñez Rojas, San Francisco, CA (US); **Christophe Koch**, Santa Cruz, CA (US)

(73) Assignee: **GOOGLE LLC**, Mountain View, CA (US)

(**) Term: **15 Years**

(21) Appl. No.: **29/666,151**

(22) Filed: **Oct. 10, 2018**

Related U.S. Application Data

(63) Continuation of application No. 29/611,587, filed on Jul. 24, 2017, now abandoned.

(51) **LOC (13) Cl.** **14-02**

(52) **U.S. Cl.**
USPC **D14/327**

(58) **Field of Classification Search**
USPC D14/315-327, 331, 334-336, 339-340,
D14/371, 373-374; D18/1-2, 7, 11,
D18/12.2-12.3

(Continued)

(56) **References Cited**

U.S. PATENT DOCUMENTS

D347,214 S * 5/1994 You-Chi D14/325
D354,048 S * 1/1995 Kimura D14/326
(Continued)

FOREIGN PATENT DOCUMENTS

JP 1498275 S 5/2014
WO WO-2010024826 A1 * 3/2010 G06F 1/169
WO WO-2014022035 A1 * 2/2014 G06F 1/1698

OTHER PUBLICATIONS

Yang et al.; LG Electronics Co Ltd., Korean design No. 301009887, published at Orbit, publication date Jun. 19, 2020. Site visited Aug. 7, 2020. Available from Internet. (Year: 2020).*

(Continued)

Primary Examiner — Kathleen L Jones
(74) *Attorney, Agent, or Firm* — Plumsea Law Group, LLC

(57) **CLAIM**

The ornamental design for a closed laptop computer, as shown and described.

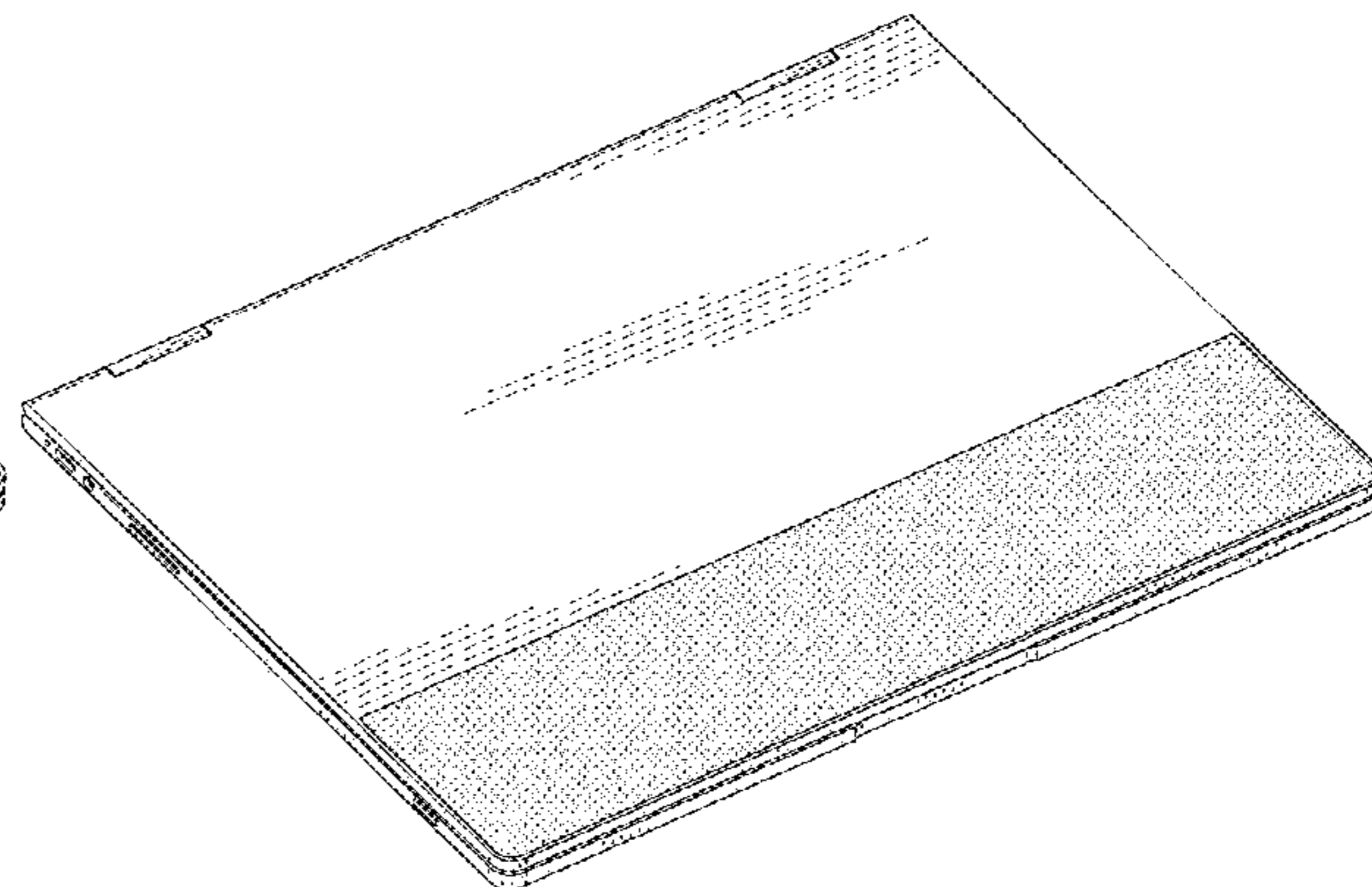
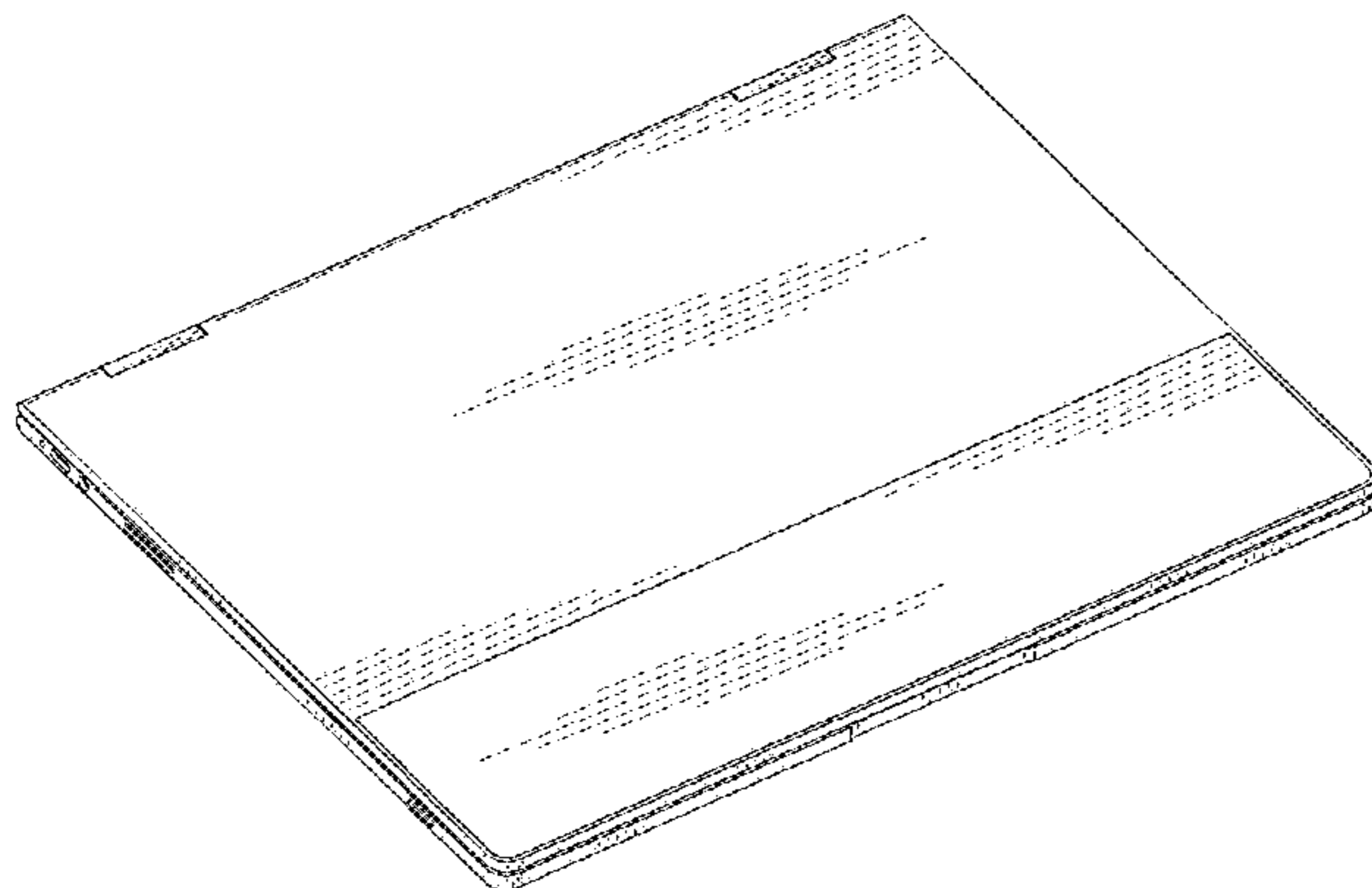
DESCRIPTION

The present application is related to U.S. Design patent application Ser. No. 29/611,586, entitled Open Laptop Computer, and to U.S. Design patent application Ser. No. 29/611,591, entitled Tablet Computer, the entire disclosures of which are incorporated herein by reference.

FIG. 1 is a front perspective view of a closed laptop computer according to a first embodiment of our design; FIG. 2 is a front elevation view thereof; FIG. 3 is a rear elevation view thereof; FIG. 4 is a right side elevation view thereof; FIG. 5 is a left side elevation view thereof; FIG. 6 is a top elevation view thereof; FIG. 7 is a bottom elevation view thereof; FIG. 8 is a rear perspective view thereof; FIG. 9 is front perspective view of a closed laptop computer according to a second embodiment of our design; FIG. 10 is a front elevation view thereof; FIG. 11 is a rear elevation view thereof; FIG. 12 is a right side elevation view thereof; FIG. 13 is a left side elevation view thereof; FIG. 14 is a top elevation view thereof; FIG. 15 is a bottom elevation view thereof; and, FIG. 16 is a rear perspective view thereof.

The broken lines showing portions of the closed laptop computer illustrate portions of the article and form no part

(Continued)



of the claimed design. The stippling shown on portions of the closed laptop computer illustrates a contrast in appearance.

1 Claim, 12 Drawing Sheets

(58) **Field of Classification Search**

CPC G06F 1/1618; G06F 1/166; G06F 1/1613; G06F 1/1616; G06F 1/162; G06F 1/1622; G06F 1/1624; G06F 1/1633; G06F 1/1615; G06F 1/1643; G06F 1/1654; G06F 1/1656; G06F 1/1669; G06F 1/203; G06F 1/1688; G06F 1/1601; G06F 1/1637; G06F 1/181; G06F 1/1647; G06F 1/1649; G06F 1/165; G06F 1/1662; G06F 1/1671; G06F 1/169; G06F 1/1692; H05K 5/0047; H05K 5/0052

See application file for complete search history.

(56) **References Cited**

U.S. PATENT DOCUMENTS

D411,518	S	*	6/1999	Shirasu	D14/318
D516,552	S	*	3/2006	Iseki	D14/318
D586,796	S	*	2/2009	Lee	D14/315
D600,687	S	*	9/2009	Smith	D14/315
D614,616	S	*	4/2010	Denhez	D14/315
7,898,525	B2		3/2011	Imamura		
D649,545	S	*	11/2011	Kim	D14/327
D649,546	S	*	11/2011	Kim	D14/327
D659,134	S	*	5/2012	Ahn	D14/318
D671,111	S	*	11/2012	Kim	D14/315
D671,538	S	*	11/2012	Kim	D14/318
D671,539	S	*	11/2012	Kim	D14/318
8,471,809	B2		6/2013	Seki et al.		
D686,613	S		7/2013	Bowers et al.		
D688,237	S	*	8/2013	Paulhac	D14/315
D705,772	S		5/2014	Bowers et al.		
D709,491	S	*	7/2014	Kurimoto	D14/320
D717,296	S		11/2014	Oh et al.		
D717,789	S	*	11/2014	Lim	D14/315
D717,790	S	*	11/2014	Kim	D14/315
D717,792	S	*	11/2014	Ji	D14/316
D719,148	S	*	12/2014	Kim	D14/315
D719,564	S	*	12/2014	Ji	D14/315
D724,074	S	*	3/2015	Lee	D14/315
D724,075	S	*	3/2015	Sohn	D14/315
D727,892	S		4/2015	Bowers et al.		
D729,227	S	*	5/2015	Fukuoka	D14/318
D729,228	S		5/2015	Kawai		
D729,231	S		5/2015	Lam et al.		
D729,792	S	*	5/2015	Kurimoto	D14/320
D735,187	S	*	7/2015	Hsu	D14/315
D743,958	S		11/2015	Goh et al.		
D746,808	S		1/2016	Matsuoka		
D750,616	S		3/2016	Liang		
D756,350	S		5/2016	Sun et al.		
D758,359	S	*	6/2016	Reed	D14/315
9,367,088	B2		6/2016	Chang et al.		

D766,233	S	*	9/2016	Lam	D14/315
D791,120	S		7/2017	Leonard et al.		
D811,389	S	*	2/2018	Kim	D14/345
D813,859	S	*	3/2018	Oakley	D14/315
9,977,594	B2		5/2018	Huh		
9,996,112	B2		6/2018	Chang et al.		
D838,714	S	*	1/2019	Lin	D14/318
D842,856	S	*	3/2019	Lam	D14/345
D888,709	S	*	6/2020	Kang	D14/327
D895,609	S	*	9/2020	Berry	D14/315
D898,733	S	*	10/2020	Zhang	D14/315
D904,397	S	*	12/2020	Tseng	D14/315
D909,367	S	*	2/2021	Lee	D14/315
D914,010	S	*	3/2021	Yeh	D14/318
D914,012	S	*	3/2021	Lam	D14/327
2015/0277496	A1	*	10/2015	Reeves	G06F 3/1438 345/1.2
2016/0202727	A1	*	7/2016	Lin	G06F 1/1681 361/679.27
2019/0258298	A1	*	8/2019	Arima	G06F 3/1423

OTHER PUBLICATIONS

Bakhyeongsin, Samsung electronics Co Ltd., Korean design No. 300659368, published at Orbit, publication date Oct. 25, 2013. Site visited Aug. 7, 2020. Available from Internet. (Year: 2013).*

Bader, Daniel, Google Pixelbook hands-on: Who wants this?, posted at Android Central, posting date Oct. 4, 2017. Site visited Aug. 7, 2020. URL: <<https://www.androidcentral.com/google-pixelbook-preview>> (Year: 2017).*

Ngo, Allen, Sony Vaio Flip 14A SVF14N13CXB, posted at NotebookCheck.net Reviews, posting date May 28, 2014. Site visited Aug. 7, 2020. URL: <<https://www.notebookcheck.net/Sony-Vaio-Flip-14A-SVF14N13CXB-Convertible-Review.117055.0.html>> (Year: 2014).*

Savov, Vlad, Ultra-thin laptops aren't what we need, but we want them anyway, posted at The Verge, posting date Jan. 6, 2016. Site visited Aug. 7, 2020. URL: <<https://www.theverge.com/2016/1/6/10723526/samsung-hp-thin-laptops-ultrabook-ces-2016>> (Year: 2016).*

Dell Passive Stylus for Inspiron 13. Dell, Inc. Published in 2016. 4 pages.

Flash: New and Notable Product Design. Design News. May 1, 2009. No. 1, vol. 64, p. 22.

HP Spectre X360 13-4193DX 2-in-1 13.3" QHD Touch Screen Laptop Intel Core i7-6500U 256GB SSD 8GB DDR3L Windows 10—Black/Gold (Certified Refurbished). Amazon.com. Published in 2016. 8 pages.

Huawei MateBook, p. 6. Cited in Notice of Grant dated Jul. 10, 2018 for Japanese Design Patent Application No. 2017-027183.

Nichiei Intec Barcode System, p. A-2. Cited in Notice of Grant dated Jul. 10, 2018 for Japanese Design Patent Application No. 2017-027183.

Notice of Allowance for Japanese Design Patent Application No. 2017-27489, dated Sep. 7, 2018.

Notice of Allowance for Japanese Design Patent Application No. 2017-27490, dated Sep. 7, 2018.

Notice of Allowance for Japanese Design Patent Application No. 2017-27491, dated Sep. 7, 2018.

Sony VAIO Fit 15A Debut. VIAO Standard Specification Model Catalog. Consumer Products Catalogs (Published in 2013). 4 pages.

* cited by examiner

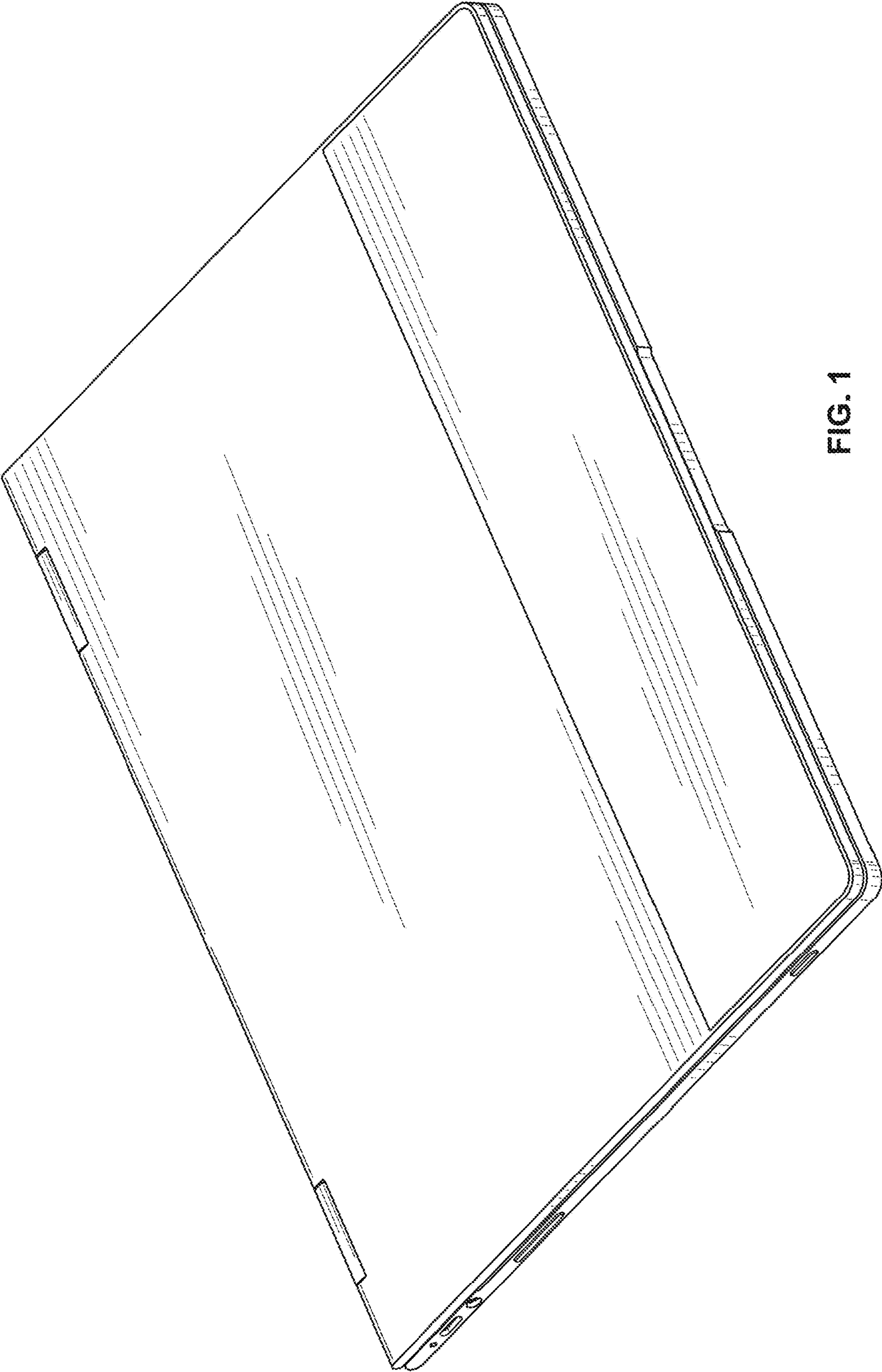


FIG. 1

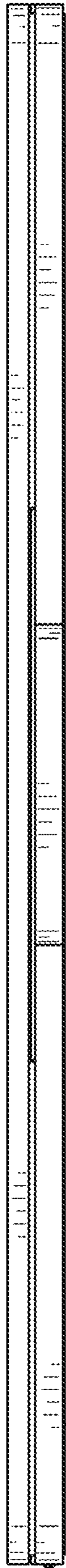


FIG. 2



FIG. 3

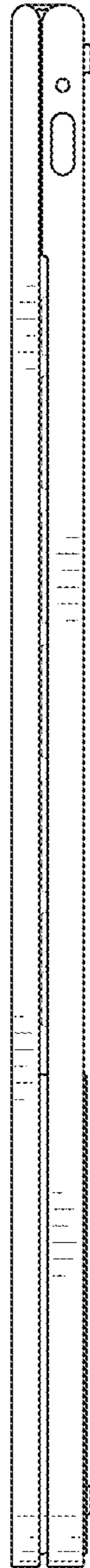


FIG. 4

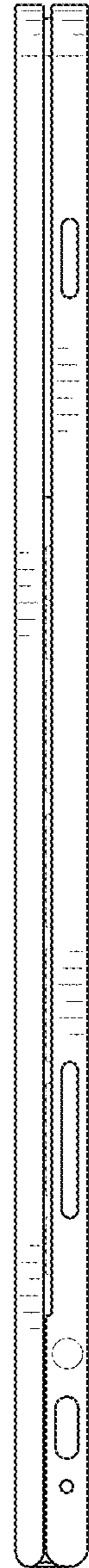


FIG. 5

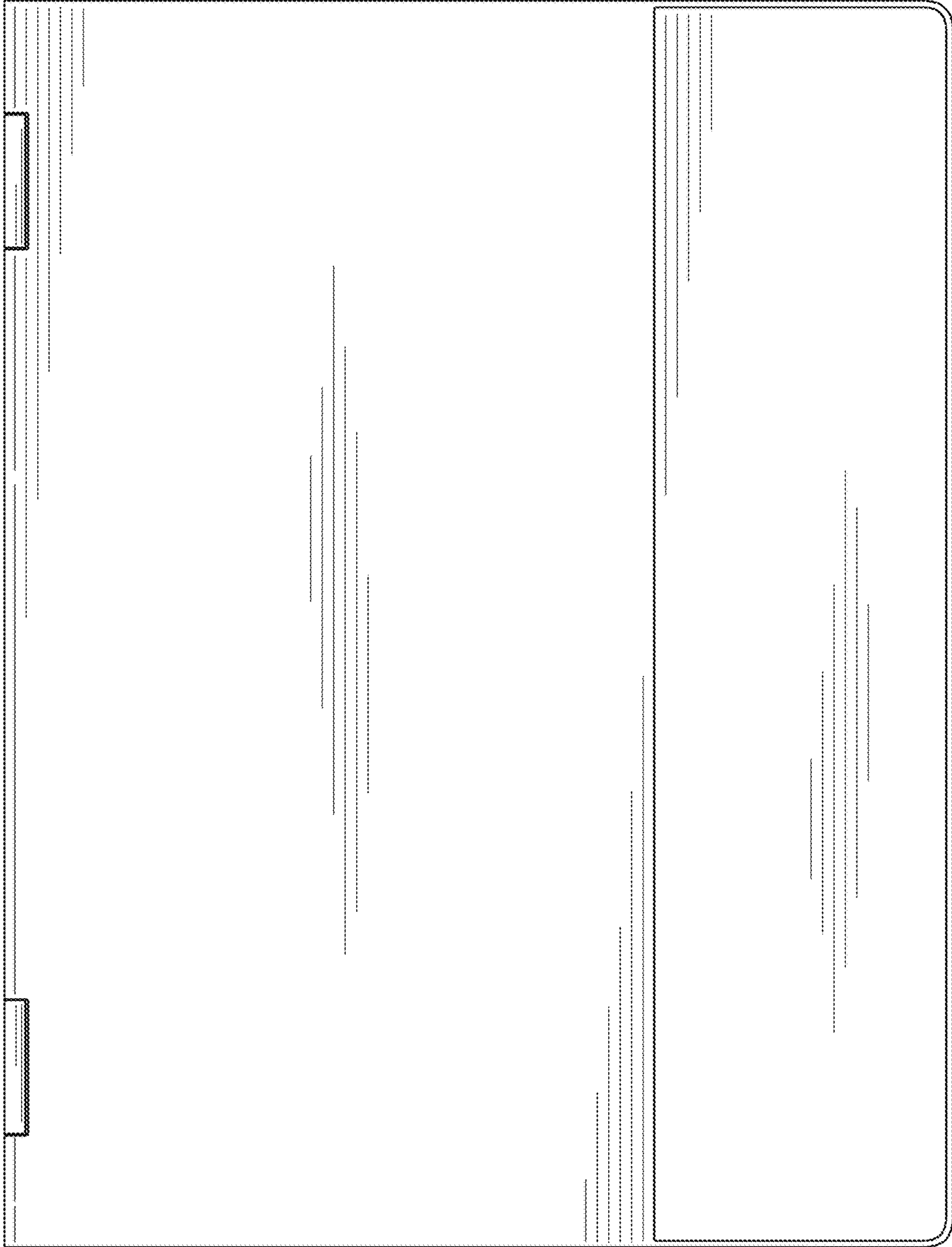


FIG. 6

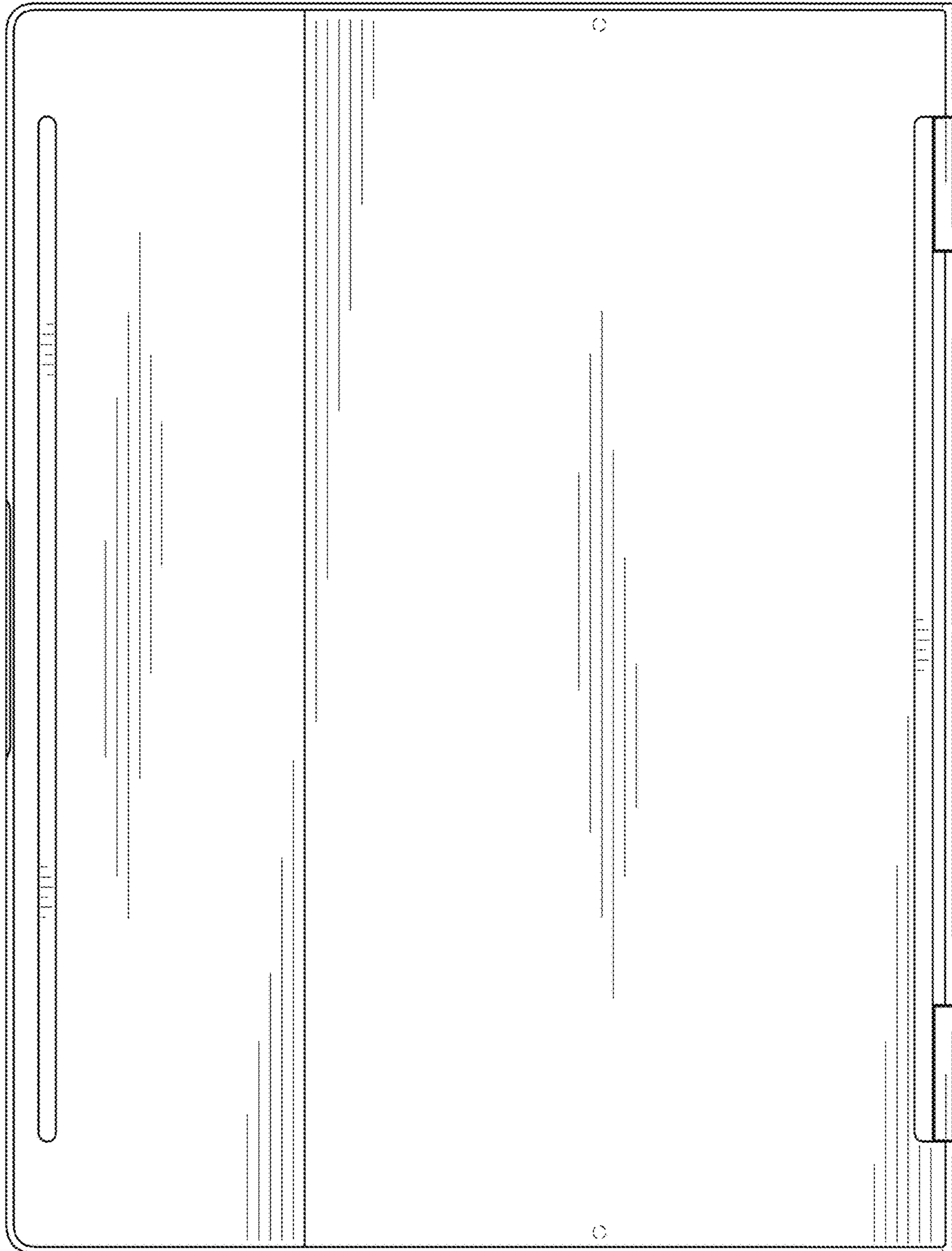


FIG. 7

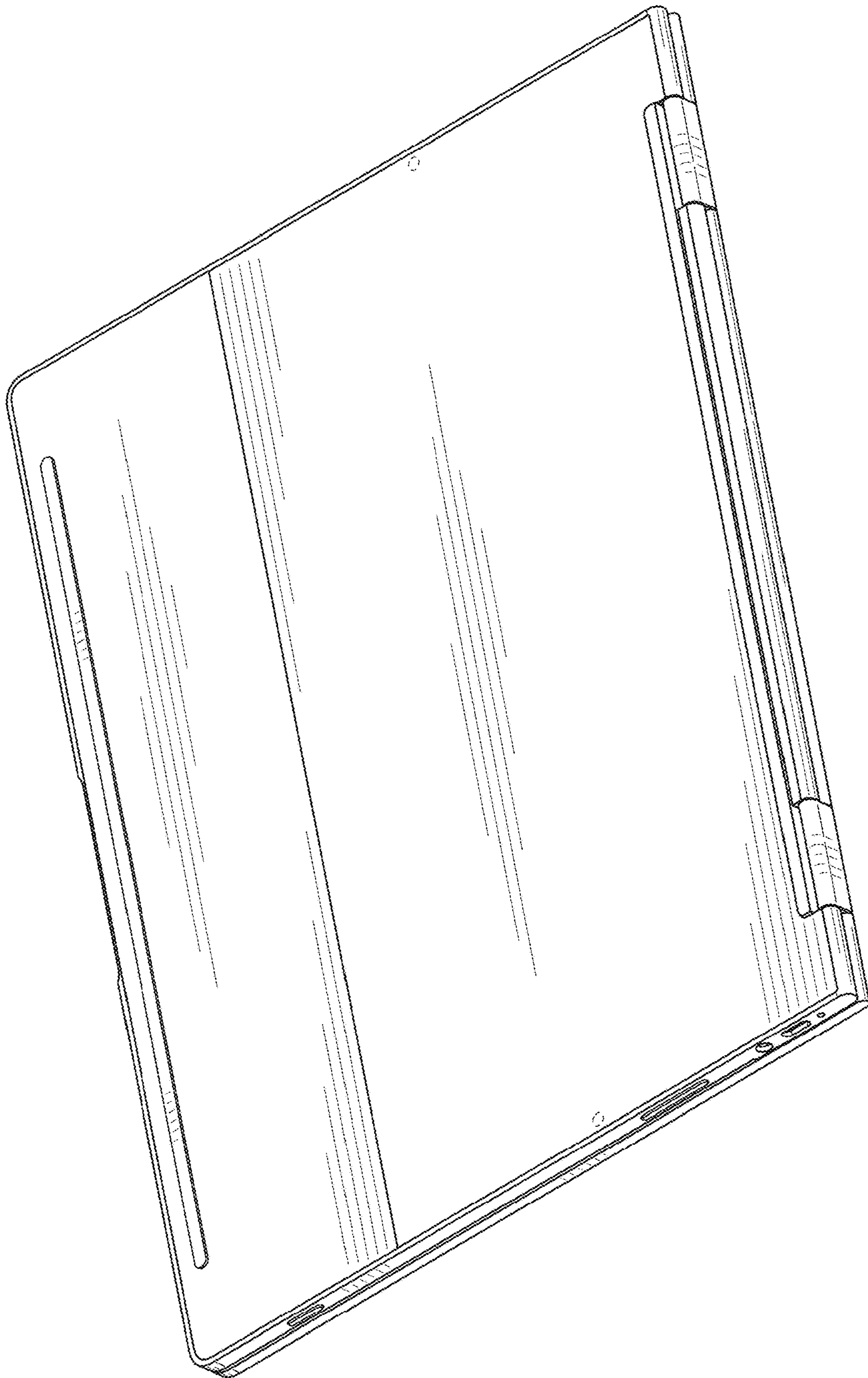


FIG. 8

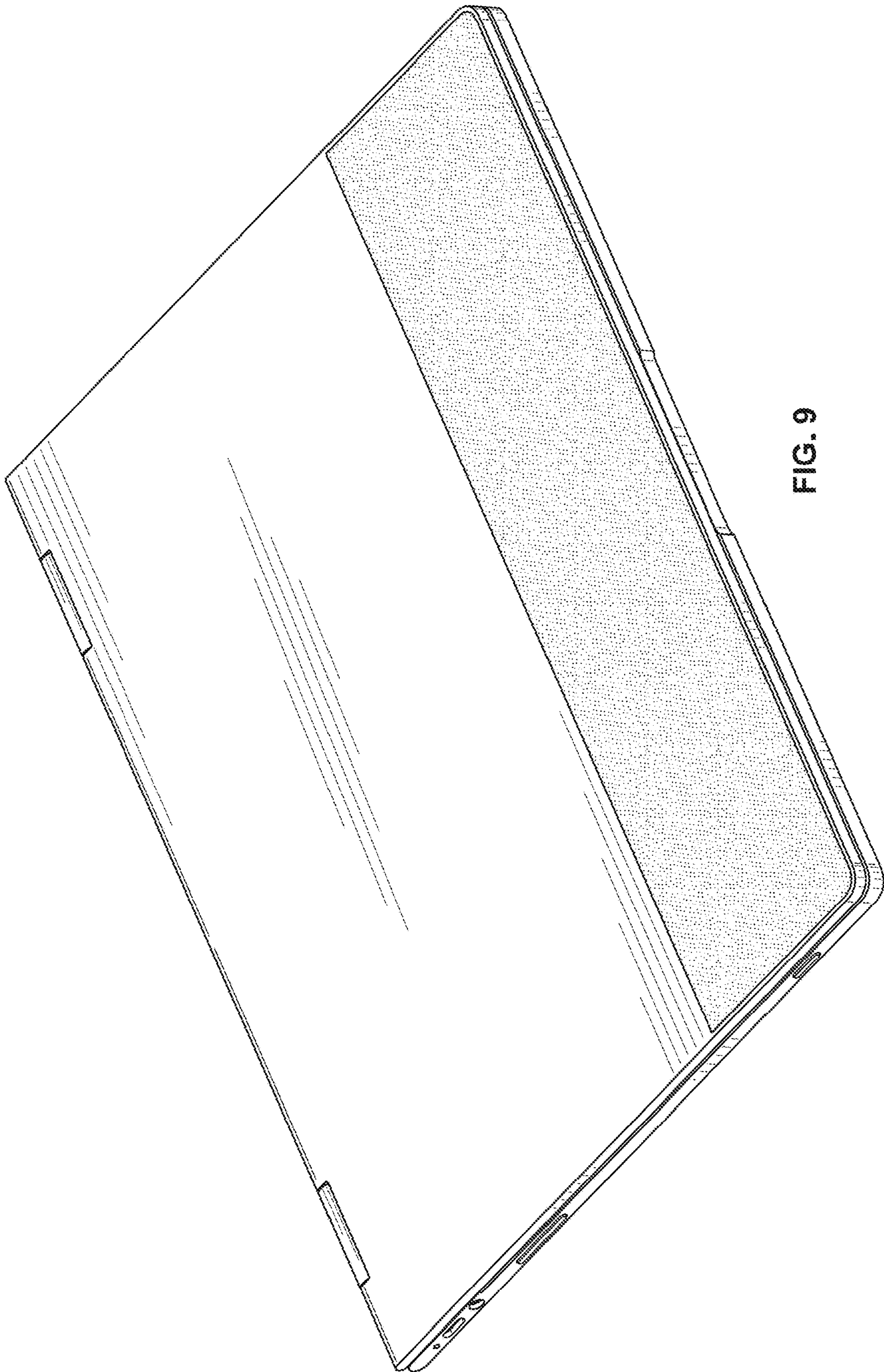


FIG. 9



FIG. 10

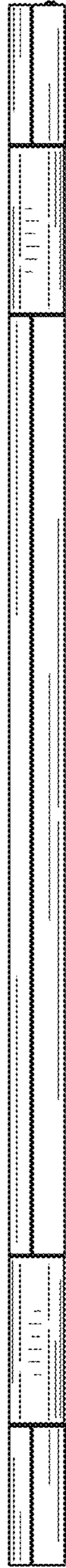


FIG. 11

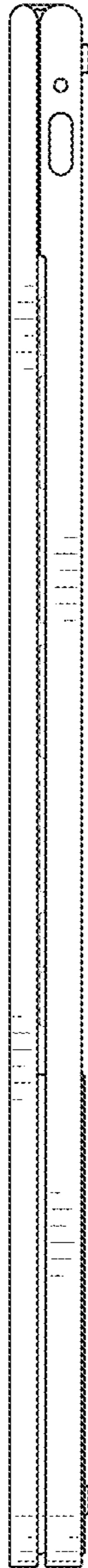


FIG. 12

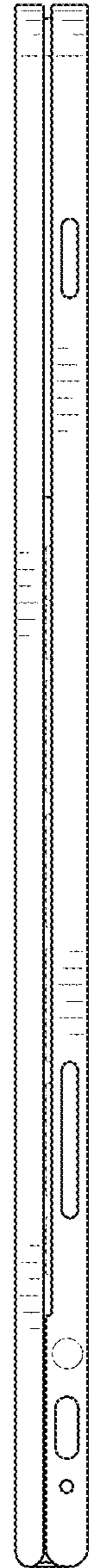


FIG. 13

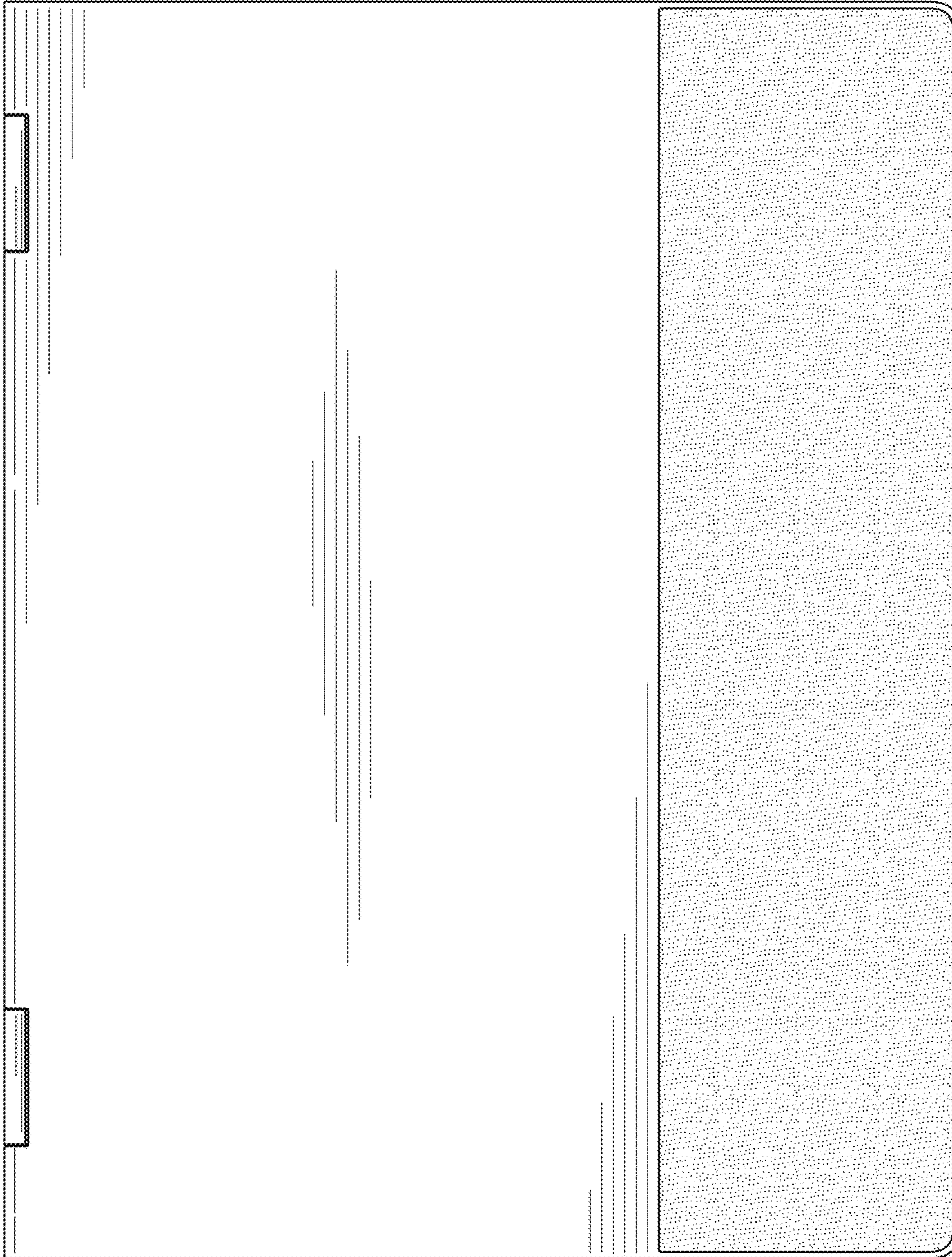


FIG. 14

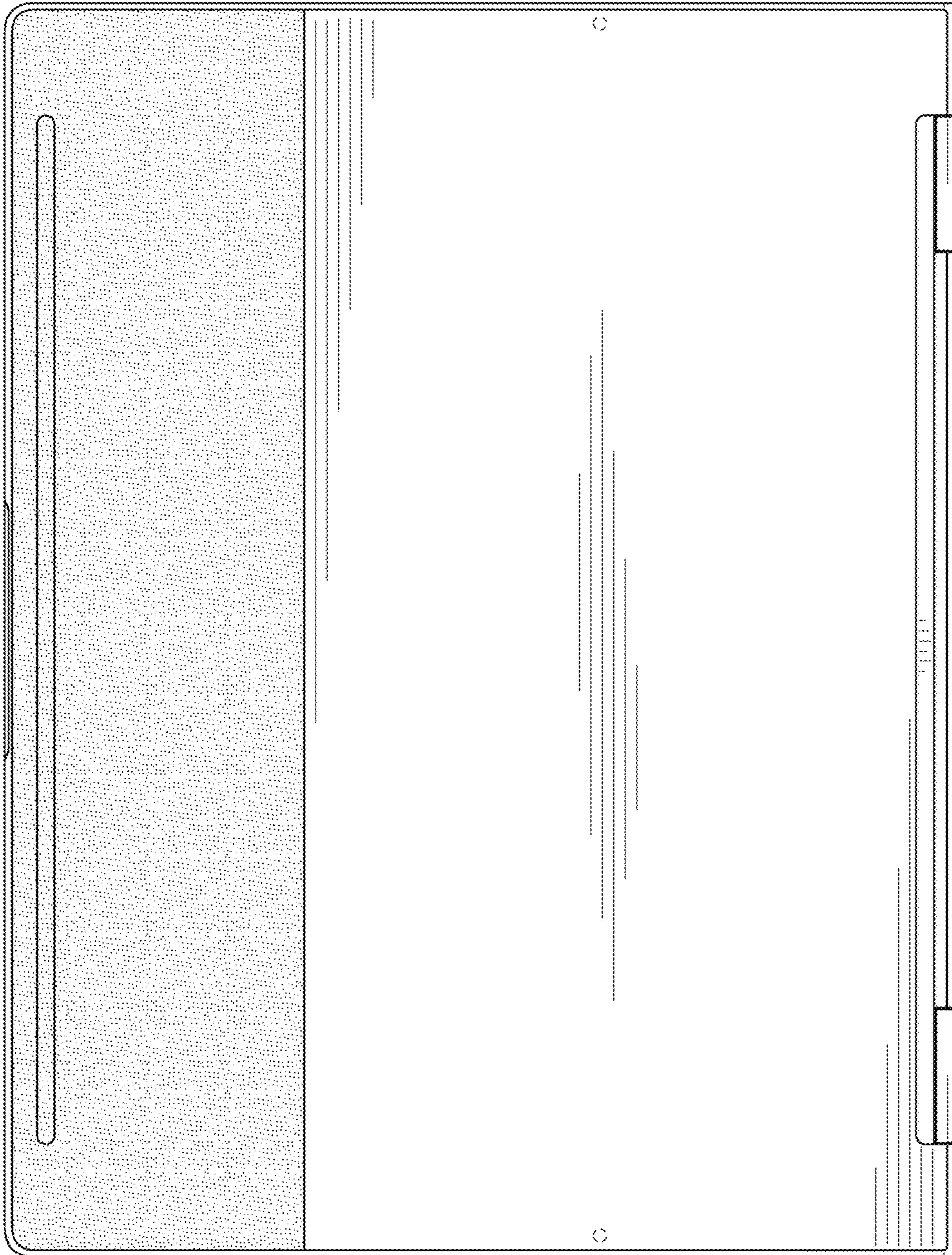


FIG. 15

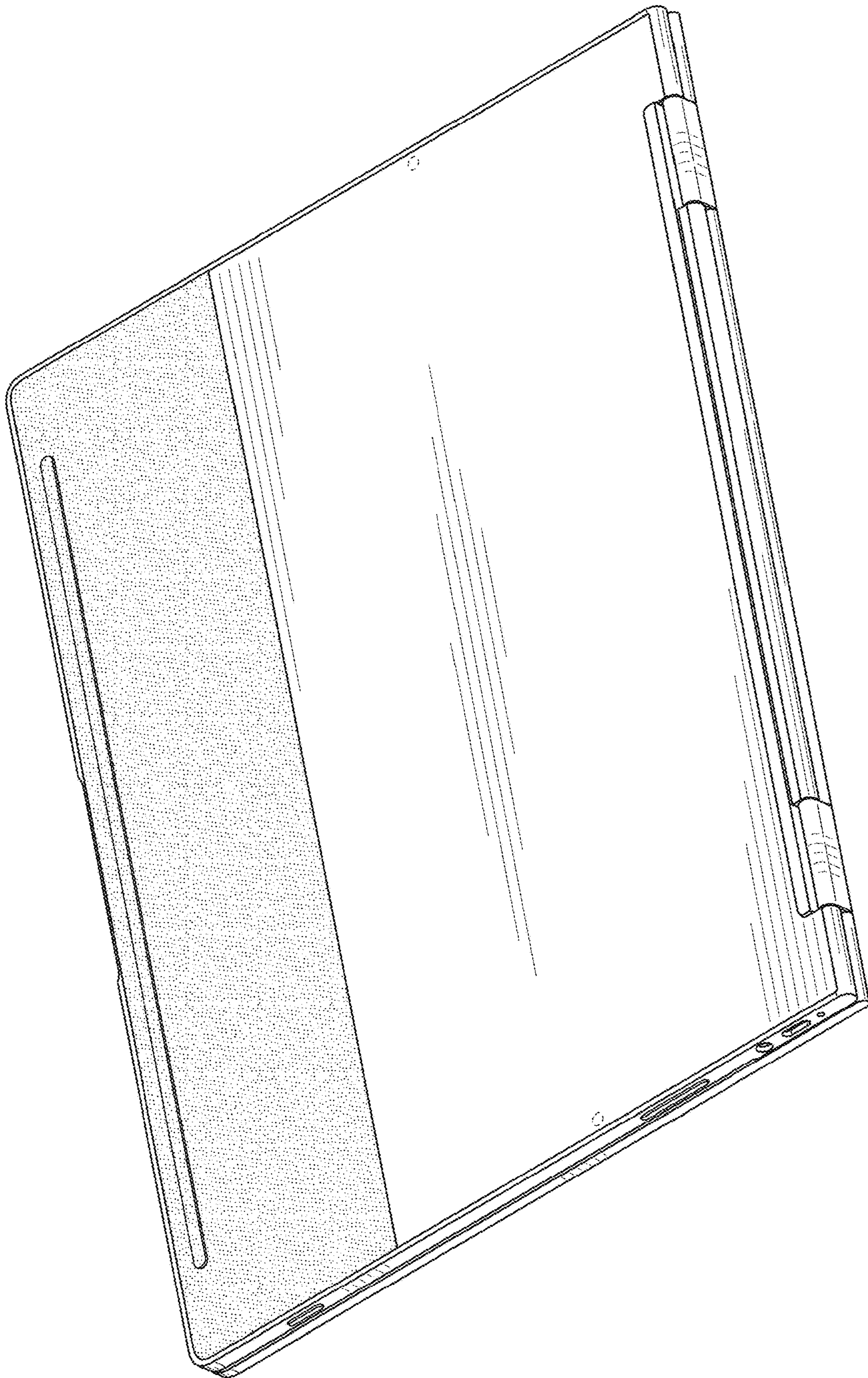


FIG. 16