



US00D928772S

(12) **United States Design Patent** (10) **Patent No.:** **US D928,772 S**  
**Ahn et al.** (45) **Date of Patent:** **\*\* Aug. 24, 2021**

(54) **INFORMATION CONSOLE OR PORTION THEREOF**

(71) Applicant: **WAYMO LLC**, Mountain View, CA (US)

(72) Inventors: **YooJung Ahn**, Mountain View, CA (US); **Joshua Newby**, San Francisco, CA (US); **Albert Shane**, Berkeley, CA (US)

(73) Assignee: **Waymo LLC**, Mountain View, CA (US)

(\*\*) Term: **15 Years**

(21) Appl. No.: **29/769,509**

(22) Filed: **Feb. 5, 2021**

**Related U.S. Application Data**

(62) Division of application No. 29/688,952, filed on Apr. 25, 2019, now Pat. No. Des. 912,655.

(51) **LOC (13) Cl.** ..... **14-02**

(52) **U.S. Cl.**  
USPC ..... **D14/307**

(58) **Field of Classification Search**  
USPC ..... D14/302-307, 900-902; D13/163; D20/10; D21/332, 325, 369, 370; D99/28; D6/397, 466; 194/206; 361/679.01, 679.02, 679.04, 679.21, 361/679.57, 725  
CPC ..... G06Q 20/18; G06Q 20/10; G06Q 20/123; G06Q 20/20; G06Q 30/02; G06Q 30/06; A47F 9/047

See application file for complete search history.

(56) **References Cited**

**U.S. PATENT DOCUMENTS**

D712,396 S 9/2014 Johnson et al.  
D732,521 S 6/2015 Chadbourne et al.

D734,314 S 7/2015 Swaine et al.  
D806,698 S 1/2018 Thompson  
D827,008 S \* 8/2018 Okada ..... D16/131  
D829,704 S 10/2018 Oross et al.  
D829,705 S 10/2018 Oross et al.  
D836,625 S 12/2018 Szeredi et al.  
D842,296 S 3/2019 Oross et al.  
D854,538 S 7/2019 Szeredi et al.  
D856,410 S \* 8/2019 Lee ..... D18/4.4  
D857,791 S \* 8/2019 Luo ..... D18/4.4  
D864,193 S 10/2019 Oosawa et al.  
D872,171 S \* 1/2020 Luo ..... D18/4.4  
D881,258 S \* 4/2020 Lindquist ..... D16/215  
D888,705 S \* 6/2020 Saito ..... D14/307

(Continued)

*Primary Examiner* — Austin Murphy

(74) *Attorney, Agent, or Firm* — Banner & Witcoff, Ltd.

(57) **CLAIM**

The ornamental design for an information console or portion thereof, as shown and described.

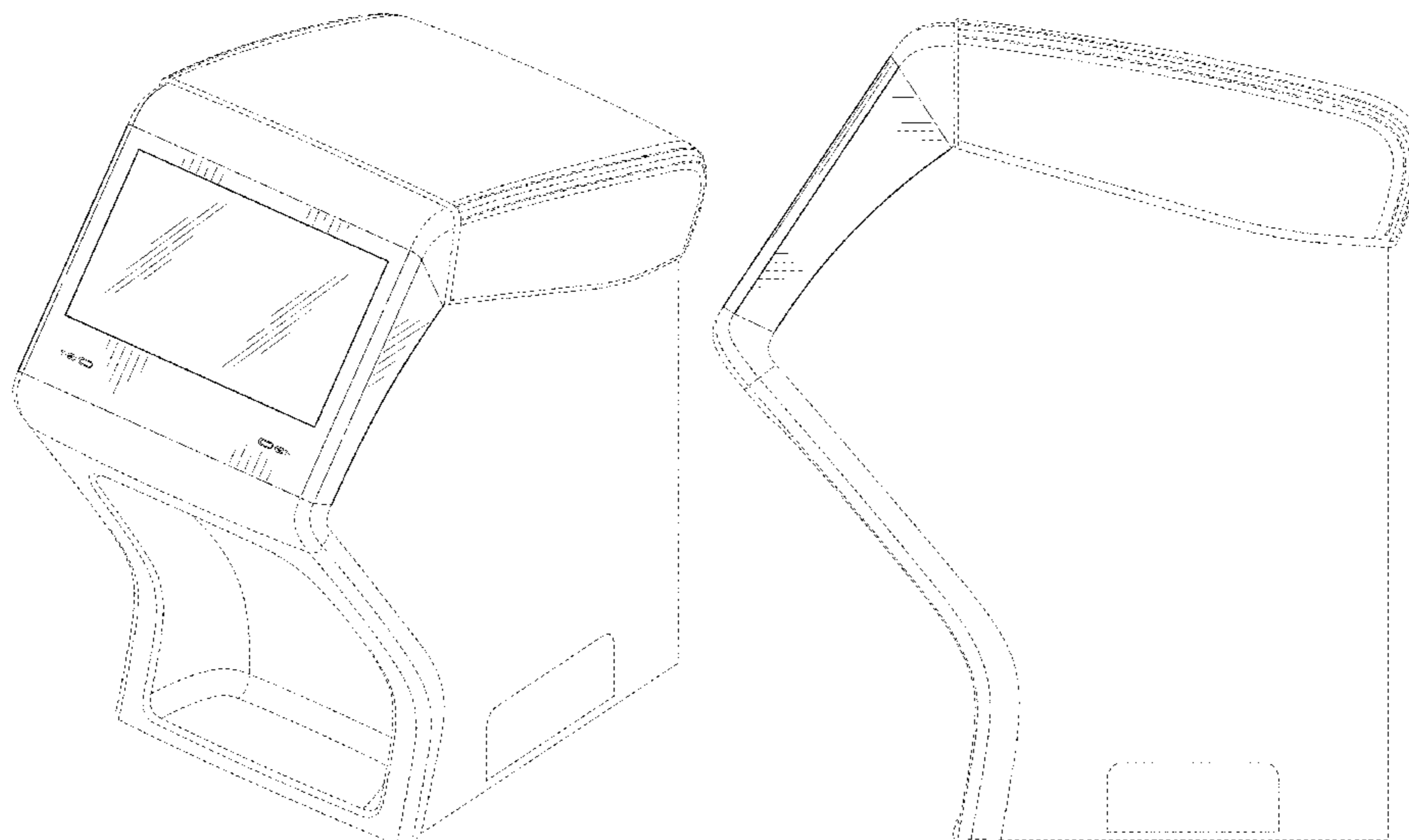
**DESCRIPTION**

FIG. 1 is a front perspective view of an information console or portion thereof according to our design; FIG. 2 is a front elevation view thereof; FIG. 3 is a back elevation view thereof; FIG. 4 is a right side elevation view thereof; FIG. 5 is a left side elevation view thereof; FIG. 6 is a top plan view thereof; and, FIG. 7 is a bottom plan view thereof.

The broken lines in the figures illustrate portions of the information console or portion thereof that form no part of the claimed design.

The dash-dot broken lines illustrate boundaries of the information console or portion thereof. The dash-dot lines themselves form no part of the claimed design. Portions of the information console falling outside the dash-dot broken lines form no part of the claimed design.

**1 Claim, 7 Drawing Sheets**



(56)

**References Cited**

U.S. PATENT DOCUMENTS

D900,804 S	*	11/2020	Mugica	.....	D14/307
D900,814 S	*	11/2020	Lee	.....	D14/371
D902,297 S	*	11/2020	Cathala	.....	D18/4.5
D902,918 S	*	11/2020	Friedli	.....	D14/307
D904,394 S	*	12/2020	Friedli	.....	D14/307
D912,655 S	*	3/2021	Ahn	.....	D14/307
2013/0320177 A1	*	12/2013	Chen	.....	F16M 11/10 248/371

\* cited by examiner

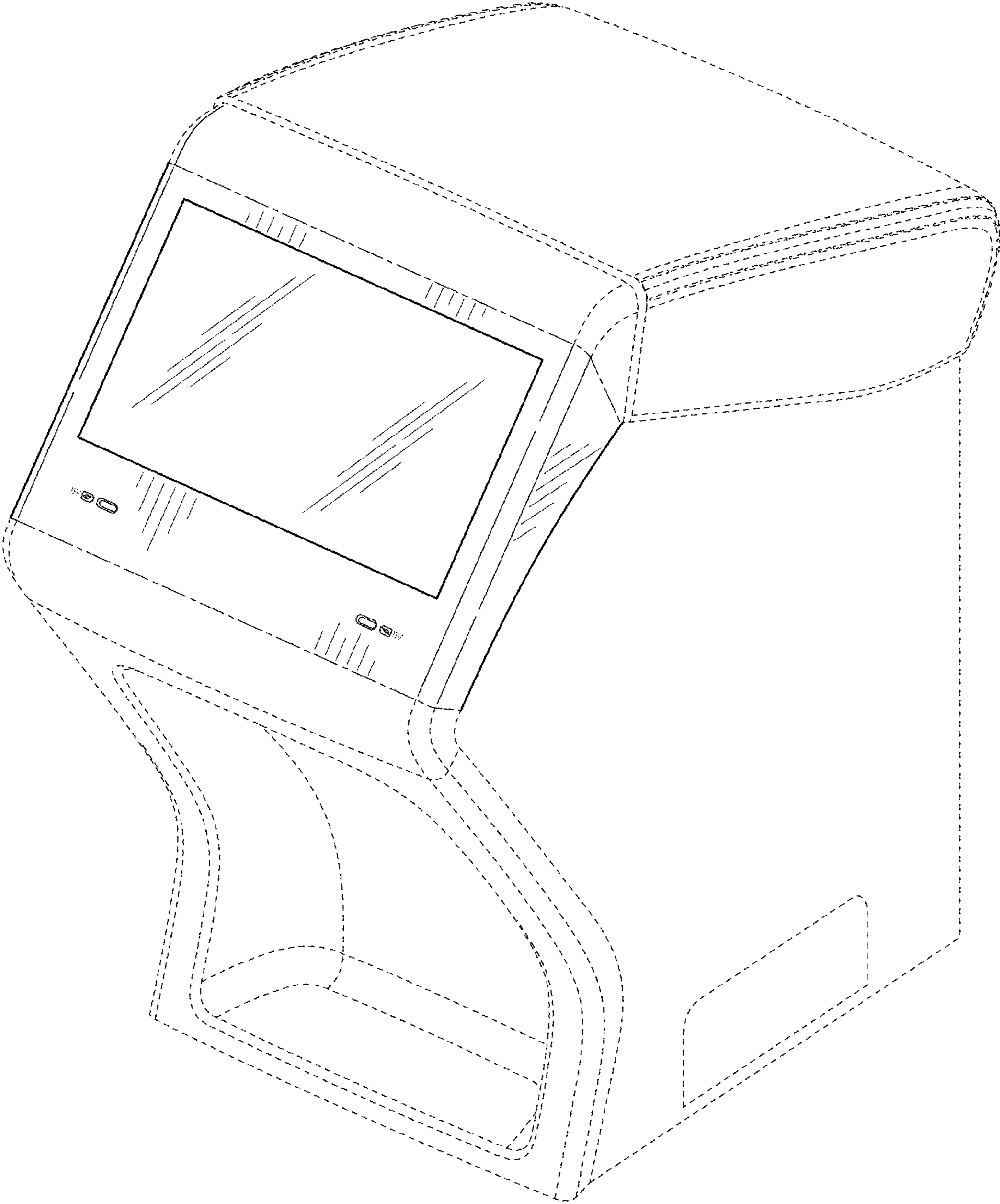


FIG. 1

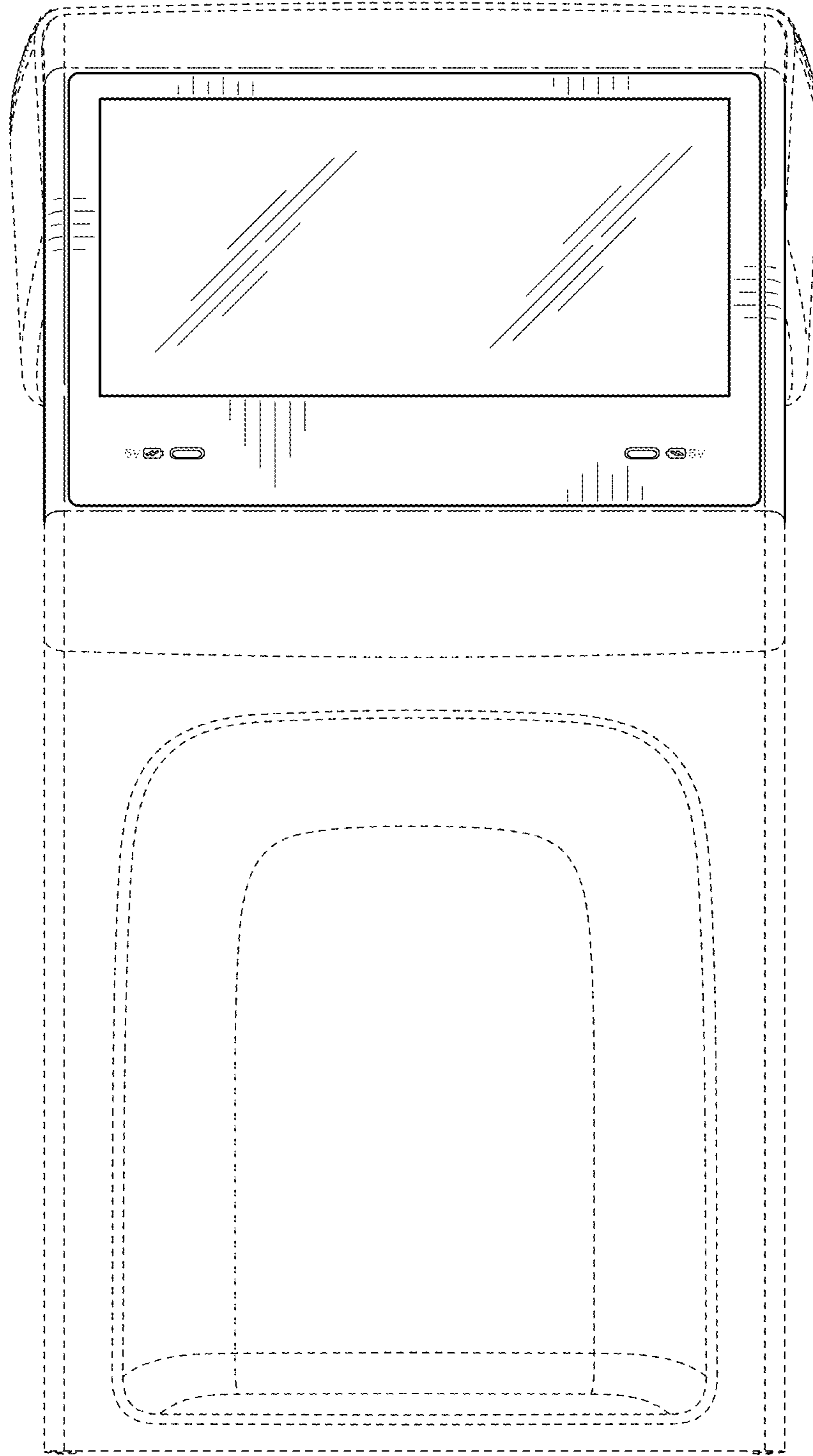


FIG. 2

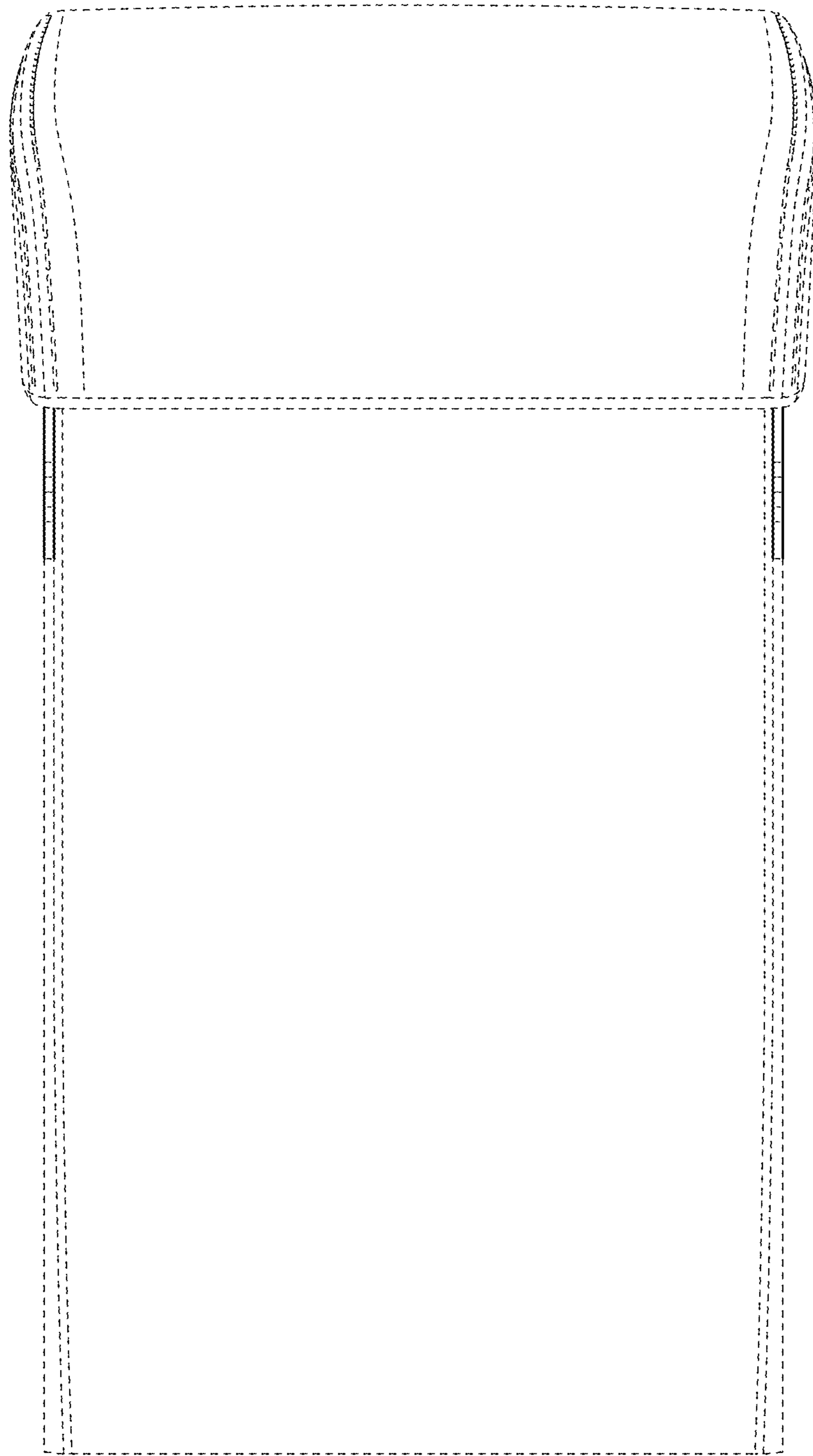


FIG. 3

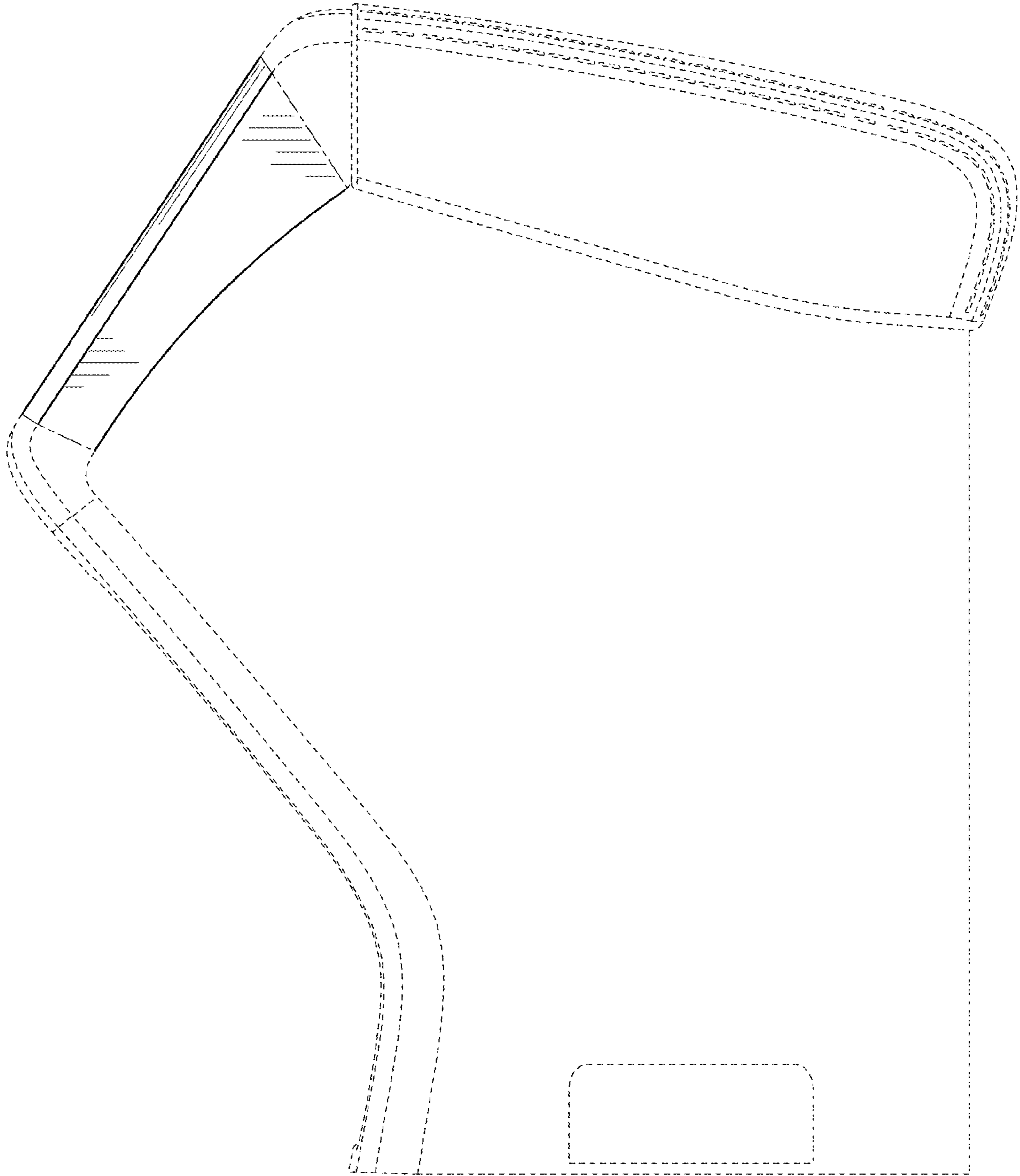


FIG. 4



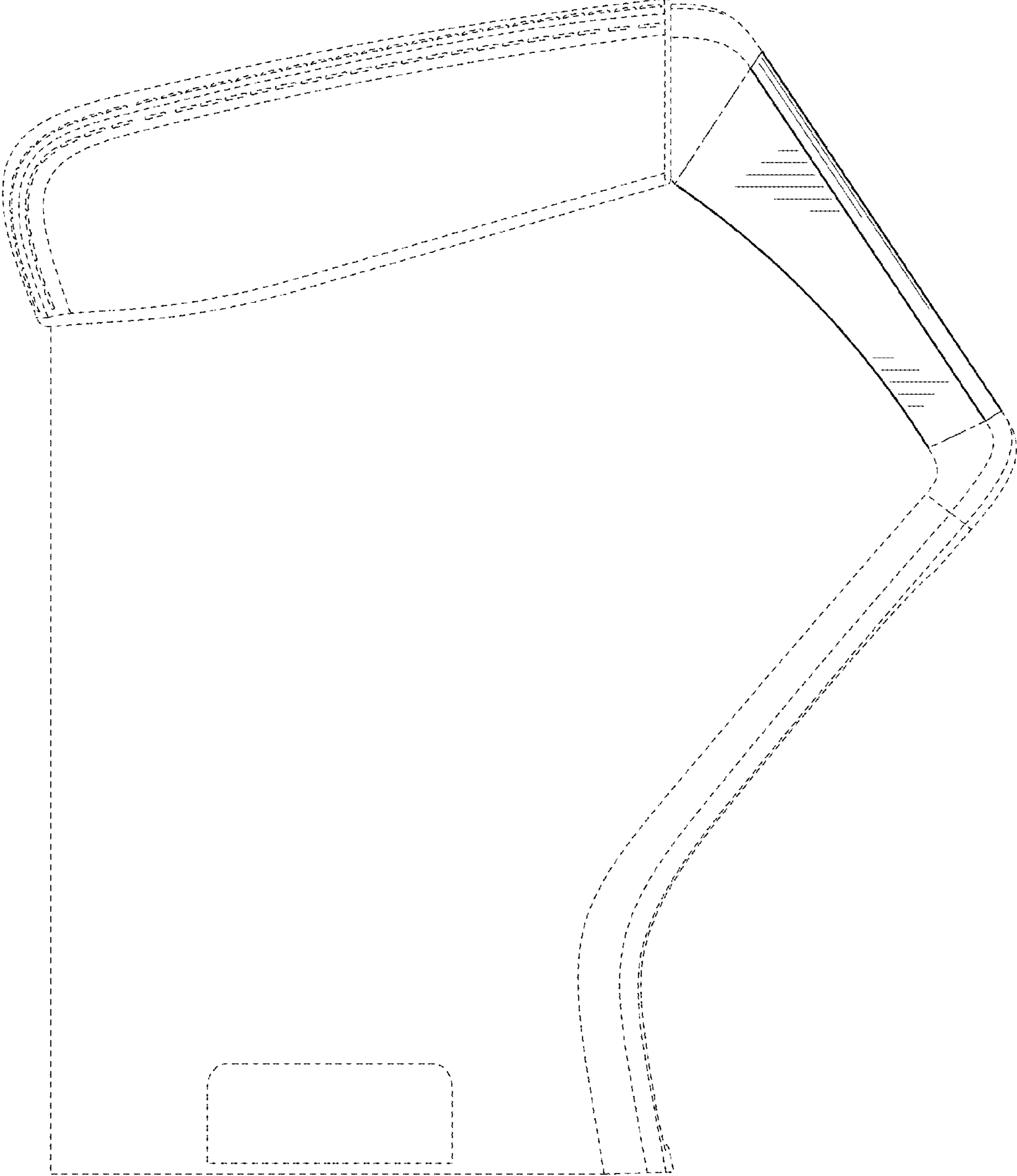


FIG. 5

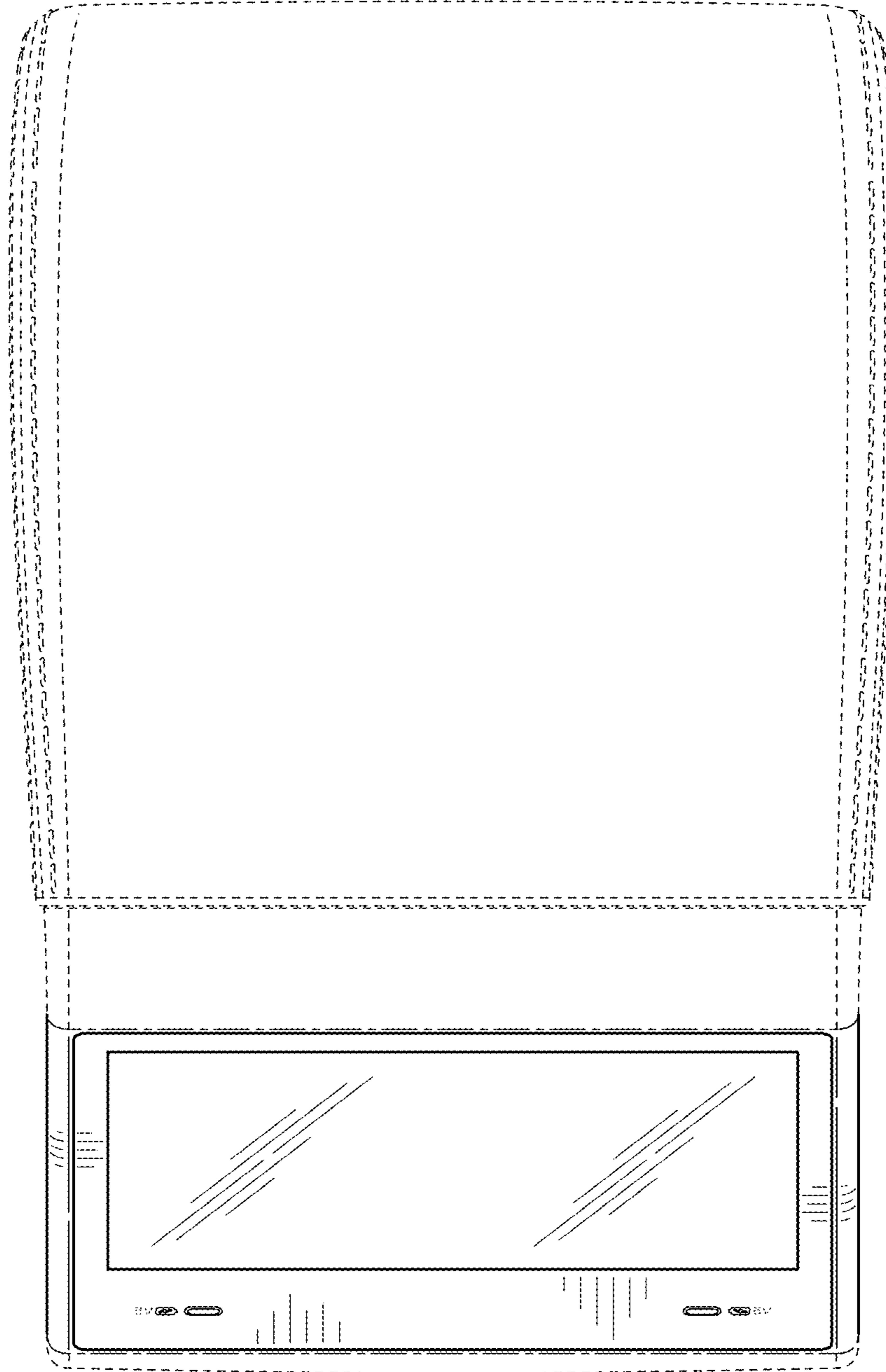


FIG. 6



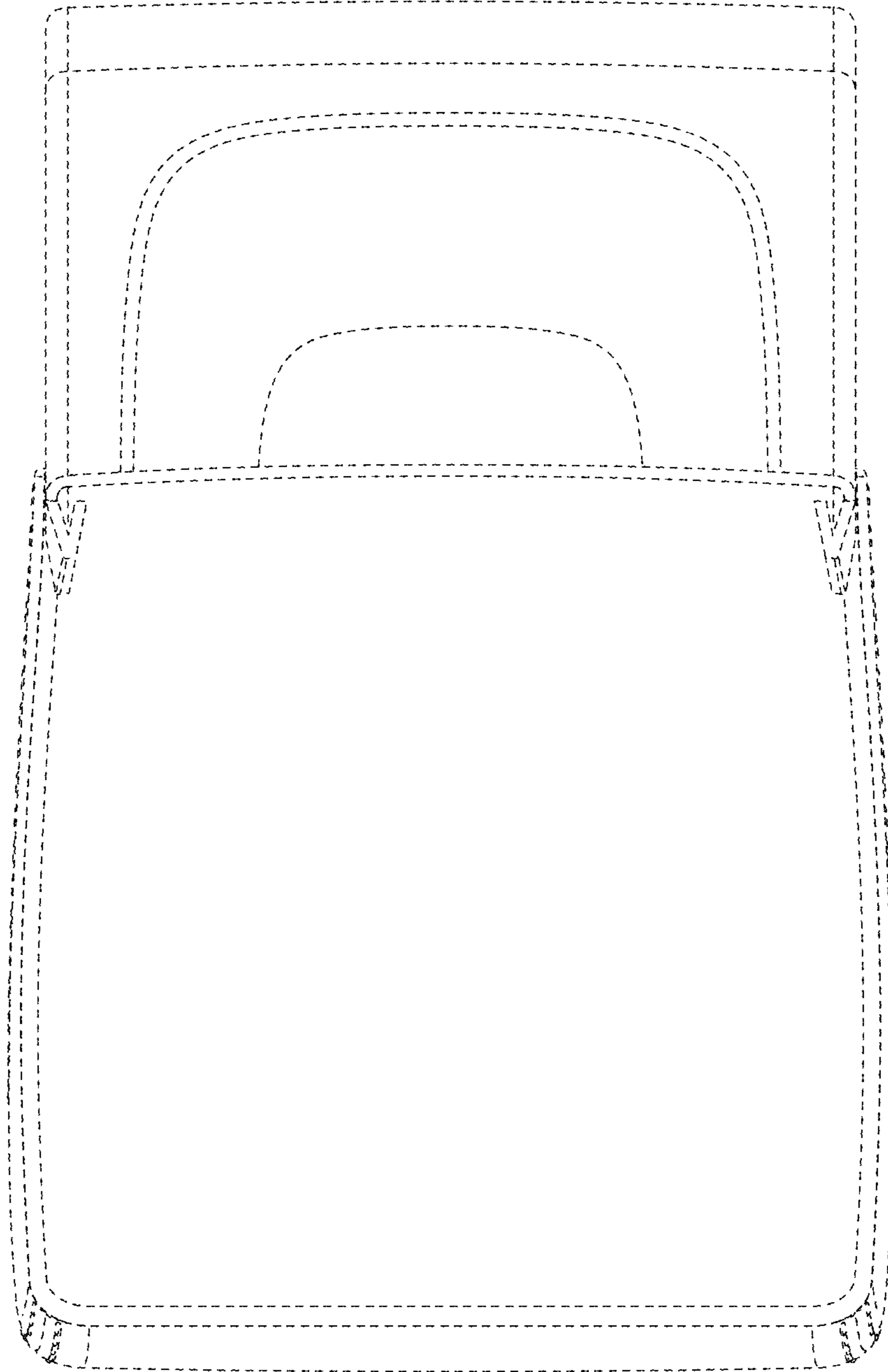


FIG. 7