



US00D928771S

(12) **United States Design Patent**  
**Barnett**

(10) **Patent No.:** **US D928,771 S**

(45) **Date of Patent:** **\*\* Aug. 24, 2021**

(54) **GRIP AND STAND ACCESSORY FOR PERSONAL ELECTRONIC DEVICE**

3,758,198 A 9/1973 Kanie et al.  
3,781,922 A 1/1974 Ericson  
3,796,984 A 3/1974 Selinko

(Continued)

(71) Applicant: **POPSOCKETS LLC**, Boulder, CO (US)

FOREIGN PATENT DOCUMENTS

(72) Inventor: **David B. Barnett**, Boulder, CO (US)

CN 101087317 A 12/2007  
CN 101090617 A 12/2007

(73) Assignee: **POPSOCKETS LLC**, Boulder, CO (US)

(Continued)

(\*\*) Term: **15 Years**

*Primary Examiner* — Catherine R Oliver-Garcia  
(74) *Attorney, Agent, or Firm* — Holland & Hart LLP

(21) Appl. No.: **29/675,903**

(57) **CLAIM**

(22) Filed: **Jan. 7, 2019**

The ornamental design for a grip and stand accessory for a personal electronic device, as shown and described.

(51) **LOC (13) Cl.** ..... **14-03**

(52) **U.S. Cl.**  
USPC ..... **D14/251; D3/218**

**DESCRIPTION**

(58) **Field of Classification Search**  
USPC ..... D3/218; D14/140, 142, 148–149, 217, D14/250–253, 451–452, 440, 434, 447, D14/458, 432, 439, 457, 460  
CPC ..... A45C 2200/15; A45F 5/10; F16M 11/10; F16M 11/40; F16M 11/105; F16M 13/00; G06F 1/1626; G06F 2200/1633; H04M 1/04; H04M 1/6075; H04M 1/72569; H04M 1/72577; H04M 17/026; H04M 1/006; H04M 1/0214; H04M 1/0233; H04M 1/0254; H04M 1/0264; H04M 1/0279; H04M 1/18; H04M 1/6091; H04M 1/723; H04M 1/725; H04M 2207/206; H04M 2250/16

FIG. 1 is a perspective view showing a new design for a grip and stand accessory for a personal electronic device;  
FIG. 2 is a front view of FIG. 1;  
FIG. 3 is a rear view of FIG. 1;  
FIG. 4 is a left-side view of FIG. 1;  
FIG. 5 is a right-side view of FIG. 1;  
FIG. 6 is a top view of FIG. 1;  
FIG. 7 is a bottom view of FIG. 1;  
FIG. 8 is a perspective view showing a first alternative new design for a grip and stand accessory for a personal electronic device;  
FIG. 9 is a front view of FIG. 8;  
FIG. 10 is a rear view of FIG. 8;  
FIG. 11 is a left-side view of FIG. 8;  
FIG. 12 is a right-side view of FIG. 8;  
FIG. 13 is a top view of FIG. 8; and  
FIG. 14 is a bottom view of FIG. 8.

See application file for complete search history.

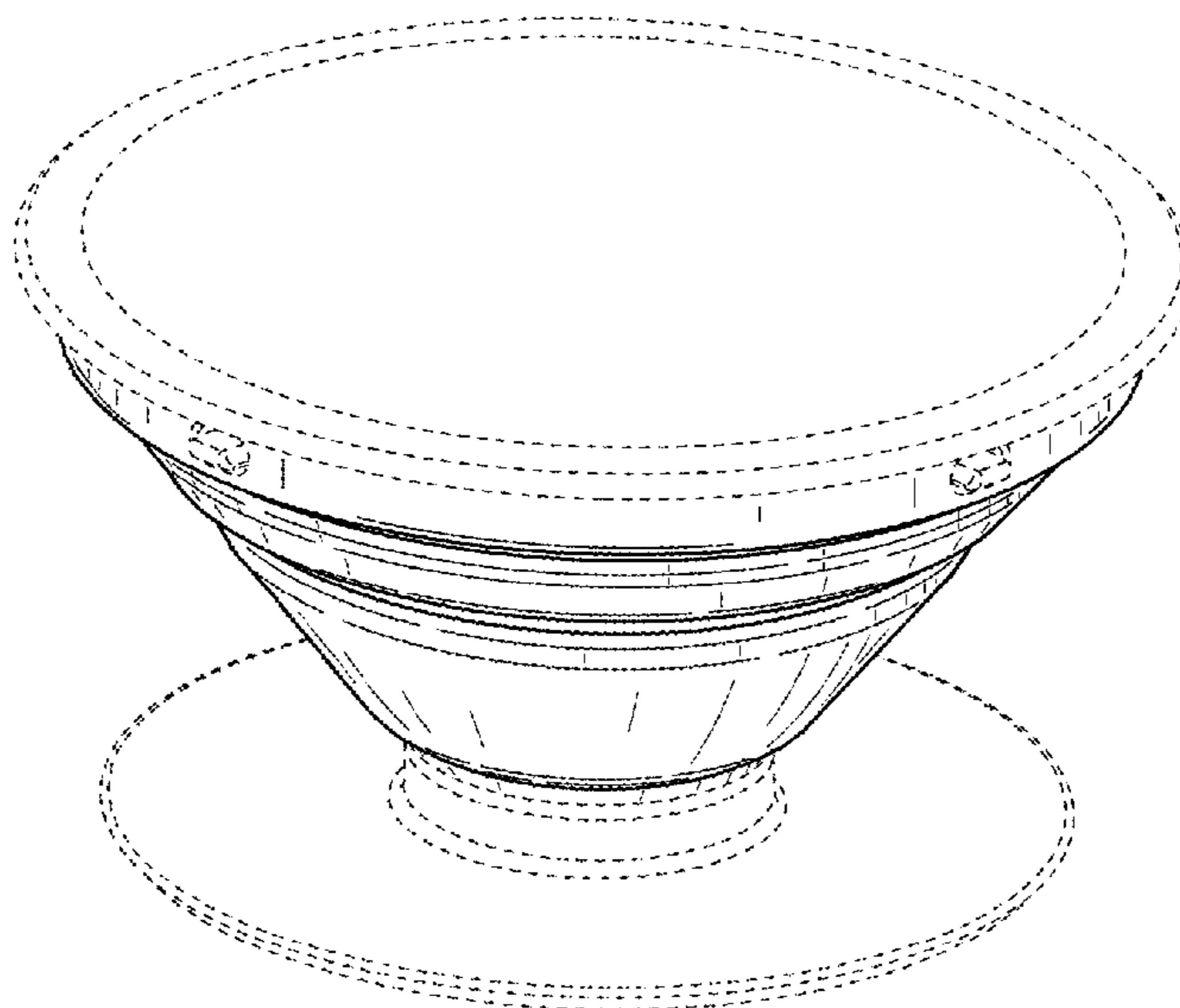
The broken lines showing portions of the grip and stand accessory for a personal electronic device are included for the purpose of illustrating environment and form no part of the claimed design.

(56) **References Cited**

U.S. PATENT DOCUMENTS

1,590,823 A 6/1926 Hewitt  
2,876,979 A 3/1959 Barbera  
2,880,902 A 4/1959 Owsen  
3,298,071 A 1/1967 Flora

**1 Claim, 8 Drawing Sheets**



(56)

References Cited

U.S. PATENT DOCUMENTS

4,326,102 A	4/1982	Culp et al.	D656,927 S	4/2012	Jones, III et al.
4,392,279 A	7/1983	Schwager	D656,928 S	4/2012	Jones, III et al.
4,846,510 A	7/1989	Mikol	D658,164 S	4/2012	Chan
4,878,863 A	11/1989	Swengel, Jr. et al.	D660,306 S	5/2012	Voorhees
4,912,609 A	3/1990	Gillette	8,186,642 B2	5/2012	Weiss-Vons
4,927,191 A	5/1990	Mikol	8,317,046 B2	11/2012	Vanderberg et al.
4,955,493 A	9/1990	Touzani	D681,020 S	4/2013	Magness et al.
4,983,034 A	1/1991	Spillman, Jr.	D681,812 S	5/2013	Farris et al.
5,233,650 A	8/1993	Chan	8,560,031 B2	10/2013	Barnett et al.
5,568,549 A	10/1996	Wang	8,737,066 B1	5/2014	Block
5,610,979 A	3/1997	Yu	8,830,663 B2	9/2014	Child et al.
5,694,292 A	12/1997	Paulsel et al.	8,844,098 B2	9/2014	Karmatz
5,807,144 A	9/1998	Sivard	8,887,902 B1	11/2014	Liu
5,852,545 A	12/1998	Pan-Ratzlaff	8,986,033 B2	3/2015	Berger
5,979,724 A	11/1999	Loewenthal, Jr. et al.	9,118,750 B2	8/2015	Vossoughi et al.
6,166,695 A	12/2000	Witczak et al.	9,136,259 B2	9/2015	Pratt
6,196,850 B1	3/2001	Dietz et al.	9,160,189 B2	10/2015	Glanzer
6,305,588 B1	10/2001	Michel et al.	9,243,739 B2	1/2016	Peters
6,357,936 B1	3/2002	Elberbaum	9,367,090 B2	6/2016	Barnett et al.
D471,547 S	3/2003	Ruohonen	9,596,393 B2	3/2017	Barros et al.
D475,696 S	6/2003	Hussaini et al.	9,663,976 B2	5/2017	Evans et al.
6,665,909 B2	12/2003	Collins et al.	9,699,285 B1	7/2017	Lundsgaard et al.
D489,051 S	4/2004	Shiraki et al.	D794,607 S	8/2017	Srouf
6,736,285 B2	5/2004	Stewart-Stand	D799,468 S *	10/2017	Chen ..... D14/253
D492,944 S	7/2004	Drakoulis et al.	9,781,319 B2	10/2017	Barros et al.
6,776,660 B1	8/2004	Kubota et al.	9,787,348 B2	10/2017	Srouf
6,844,988 B2	1/2005	Sasaki et al.	9,804,636 B2	10/2017	Barnett et al.
6,957,978 B2	10/2005	Zoller	9,843,133 B2	12/2017	Kashani et al.
D516,577 S	3/2006	Matsuoka	9,850,926 B2	12/2017	Buchanan
D521,499 S	5/2006	Takita et al.	9,872,544 B2	1/2018	Ho
7,076,270 B2	7/2006	Jaggers et al.	9,897,818 B2	2/2018	Haymond
7,093,742 B2	8/2006	Steven, III et al.	9,958,107 B1	5/2018	Hobbs et al.
D531,618 S	11/2006	Kennemer et al.	9,970,589 B2	5/2018	Hobbs et al.
D532,004 S	11/2006	Kettula et al.	10,019,034 B2	7/2018	Barnett et al.
D560,116 S	1/2008	Brassard	10,030,807 B1	7/2018	Hobbs et al.
7,324,156 B2	1/2008	Lohr et al.	10,054,259 B2	8/2018	Hobbs et al.
7,354,304 B2	4/2008	Livingston	10,060,573 B2	8/2018	Hobbs et al.
7,374,142 B2	5/2008	Carnevali	10,463,116 B2 *	11/2019	Barnett ..... A45F 5/00
D570,593 S	6/2008	Justiss	10,686,481 B2 *	6/2020	Barnett ..... H04B 1/3877
7,422,486 B2	9/2008	Hoff et al.	10,694,835 B2 *	6/2020	Peterson ..... A45C 11/00
7,508,932 B1	3/2009	Bergh	10,721,343 B2 *	7/2020	Nahum ..... F16M 11/041
D590,238 S	4/2009	Richter	10,806,552 B1 *	10/2020	Demoss ..... A61C 15/043
7,540,788 B2	6/2009	Murphy et al.	D904,386 S *	12/2020	Luo ..... D14/253
D601,366 S	10/2009	Barabas et al.	2002/0069582 A1	6/2002	Weder
D605,188 S	12/2009	Martinez	2002/0176571 A1	11/2002	Louh
7,635,112 B2	12/2009	Lin	2003/0008680 A1	1/2003	Huh
7,644,895 B2	1/2010	Tseng	2003/0102341 A1	6/2003	Iitsuka
7,661,567 B2	2/2010	Myers	2003/0160055 A1	8/2003	Stewart-Stand
7,678,271 B2	3/2010	Curtin	2003/0214131 A1	11/2003	Kanao
D618,692 S	6/2010	Deutsch et al.	2004/0172162 A1	9/2004	Bonney
D619,559 S	7/2010	Voorhees	2005/0040192 A1	2/2005	Steven et al.
7,782,610 B2	8/2010	Diebel et al.	2005/0243522 A1	11/2005	Nilsen et al.
7,822,448 B2	10/2010	Lin et al.	2006/0214757 A1	9/2006	Vom Schloss
D626,935 S	11/2010	Ohtani et al.	2007/0010821 A1	1/2007	Wilkinson et al.
D627,330 S	11/2010	Otsuka	2007/0093786 A1	4/2007	Goldsmith et al.
7,850,484 B2	12/2010	Hayashi et al.	2007/0164036 A1	7/2007	Brandenburg
D633,477 S	3/2011	Lorenzo	2007/0225031 A1	9/2007	Bodkin et al.
D637,583 S	5/2011	Beal et al.	2007/0287514 A1	12/2007	Lin et al.
7,960,658 B2	6/2011	Mock	2007/0293288 A1	12/2007	Lin et al.
7,983,034 B1	7/2011	Mohoney	2008/0053770 A1	3/2008	Tynyk
7,987,148 B2	7/2011	Hangartner et al.	2008/0090443 A1	4/2008	Ackloo
D647,085 S	10/2011	Chung et al.	2008/0123287 A1	5/2008	Rossell et al.
D647,881 S	11/2011	Warner	2008/0146958 A1	6/2008	Guillory et al.
D647,892 S	11/2011	Ragde, Jr.	2008/0183275 A1	7/2008	Schmid et al.
D650,371 S	12/2011	Wibby et al.	2008/0221404 A1	9/2008	Tso
8,078,224 B2	12/2011	Fadell et al.	2008/0268916 A1	10/2008	Lin
8,080,975 B2	12/2011	Bessa et al.	2008/0273297 A1	11/2008	Kumar
D652,825 S	1/2012	Bau	2009/0115367 A1	5/2009	Kidakam
D652,836 S	1/2012	Voorhees	2009/0240297 A1	9/2009	Shavit et al.
D654,054 S	2/2012	Kohte et al.	2009/0284391 A1	11/2009	Berkobin et al.
8,112,037 B2	2/2012	Ketari	2010/0155550 A1	6/2010	Weiss-Vons
D655,692 S	3/2012	Silverman et al.	2011/0015496 A1	1/2011	Sherman et al.
D656,135 S	3/2012	Swartz et al.	2011/0016494 A1	1/2011	Linhardt
8,137,192 B2	3/2012	Thomas	2011/0024470 A1	2/2011	Hajarian
D656,926 S	4/2012	Jones, III et al.	2011/0036876 A1	2/2011	Fathollahi
			2011/0084081 A1	4/2011	Chung et al.
			2011/0117974 A1	5/2011	Spitalnik et al.
			2011/0252839 A1	10/2011	Stevens
			2011/0284547 A1	11/2011	McElligott et al.



(56)

**References Cited**

U.S. PATENT DOCUMENTS

2011/0297566	A1	12/2011	Gallagher et al.
2011/0301439	A1	12/2011	Albert et al.
2011/0306226	A1	12/2011	Montena
2011/0311335	A1	12/2011	Wike
2012/0042476	A1	2/2012	Karmatz
2012/0190406	A1	7/2012	Chen
2012/0329534	A1	12/2012	Barnett et al.
2013/0069381	A1	3/2013	Sakamoto
2013/0126691	A1	5/2013	Miklas
2013/0198867	A1	8/2013	Ricci et al.
2014/0317329	A1	10/2014	Barnett et al.
2015/0072555	A1	3/2015	Riddiford
2015/0077927	A1	3/2015	Barnett et al.
2015/0301566	A1	10/2015	Santiago
2016/0209733	A1	7/2016	Akai et al.
2016/0282907	A1	9/2016	Barnett et al.
2017/0195000	A1	7/2017	Srour
2018/0051851	A1	2/2018	Hobbs et al.
2018/0092534	A1	4/2018	Nabhan
2018/0101197	A1	4/2018	Barnett et al.
2018/0173275	A1	6/2018	Barnett et al.

2018/0187823	A1	7/2018	Hobbs et al.
2018/0283600	A1	10/2018	Hobbs et al.
2018/0288204	A1	10/2018	Nahum et al.
2019/0245960	A1*	8/2019	Nahum ..... F16M 11/046
2020/0037737	A1*	2/2020	Cantoli-Alves ..... A45F 5/00
2020/0253362	A1*	8/2020	Ruddy ..... A45F 5/00

FOREIGN PATENT DOCUMENTS

DE	202011105790	U1	12/2011
DE	202017001222	U1	5/2017
EP	2760139		7/2014
GB	2316263	A	2/1998
GB	2508622	A	6/2014
KR	200396216	Y1	9/2005
RU	2059399	C1	5/1996
WO	WO-02/072221		9/2002
WO	WO-2005/019536	A2	3/2005
WO	WO-2005/044413		5/2005
WO	WO-2009/019811		2/2009
WO	WO-2012/125690		9/2012
WO	WO-2013/138500		9/2013

\* cited by examiner

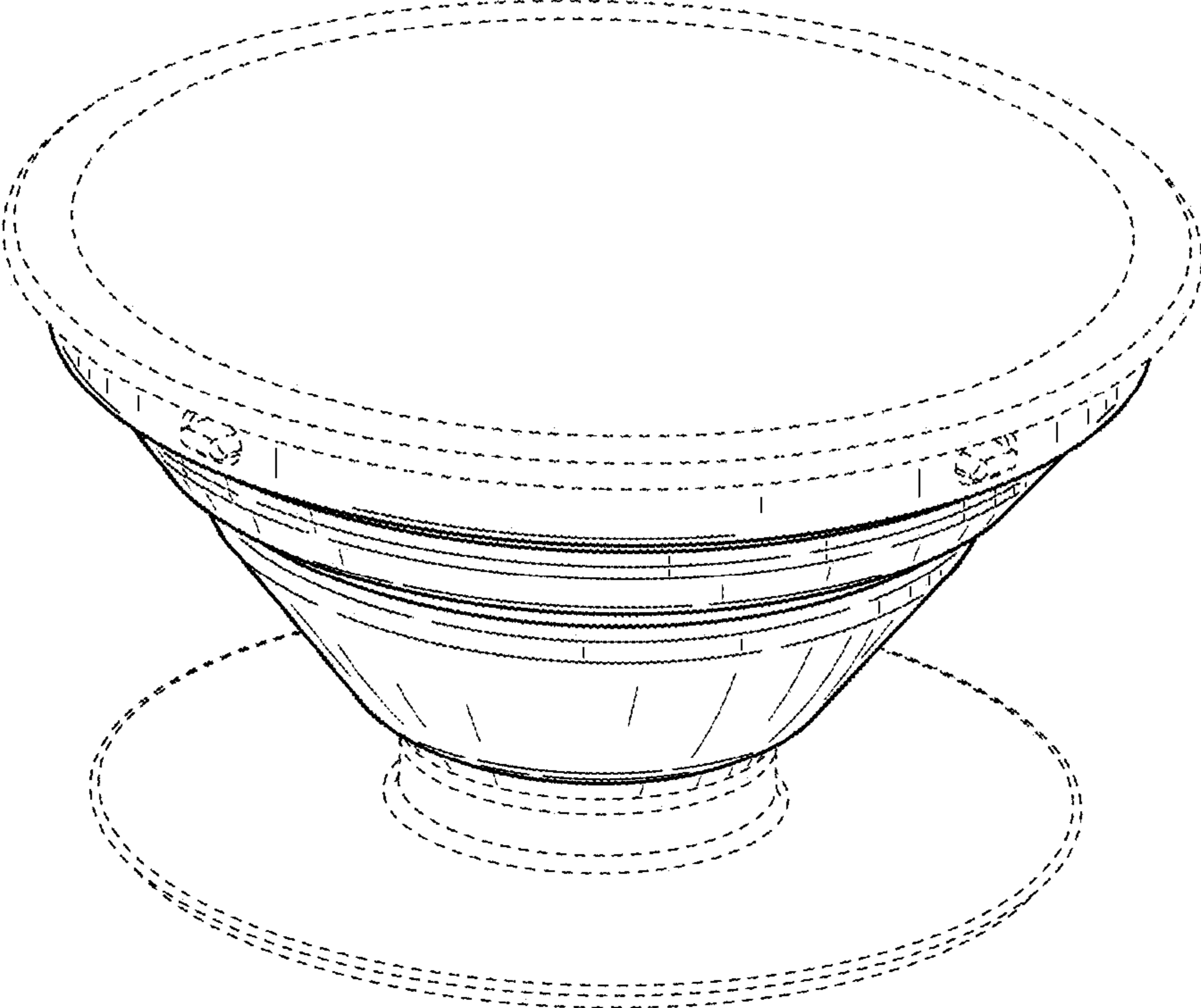


FIG. 1

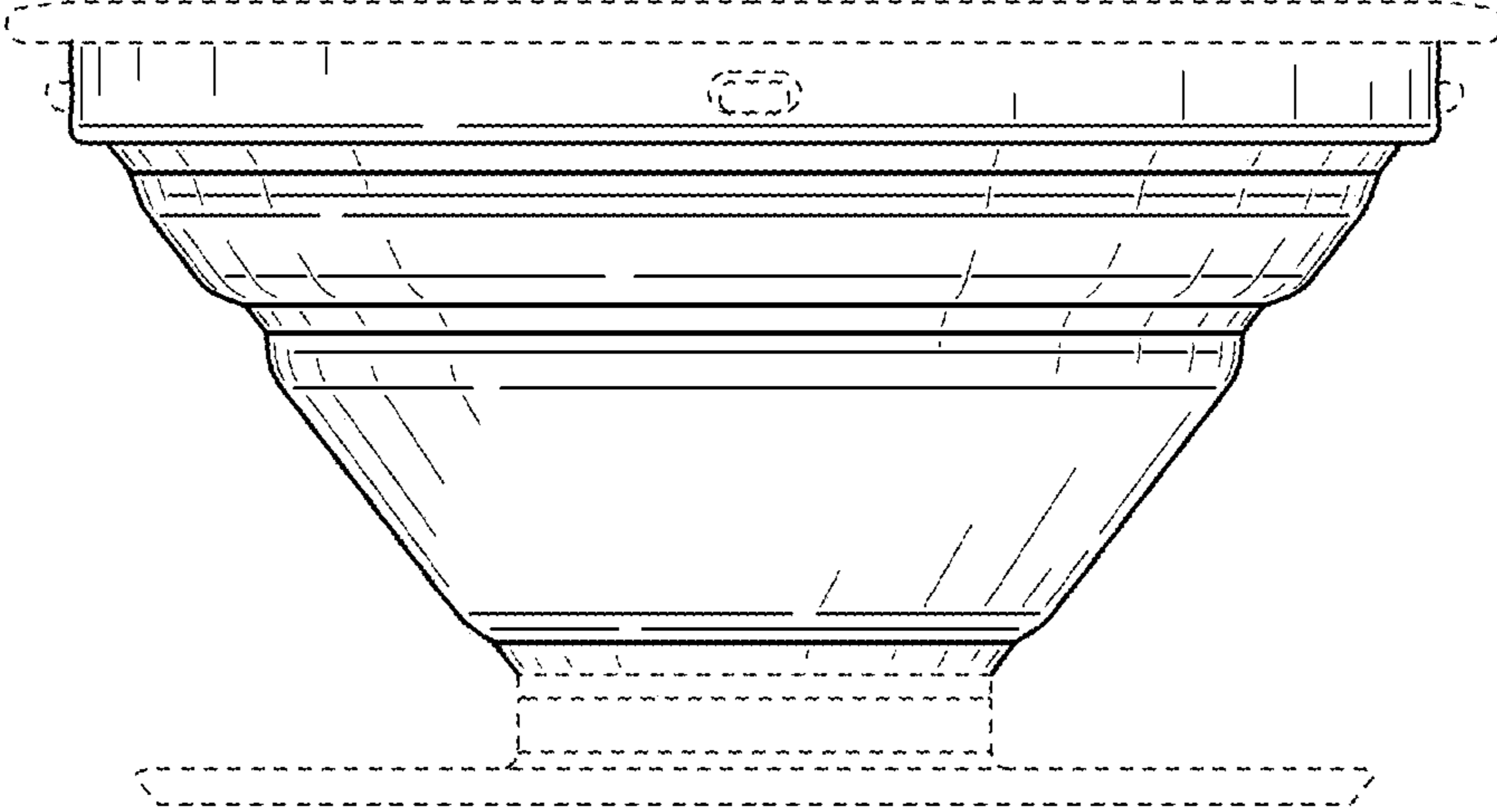


FIG. 2

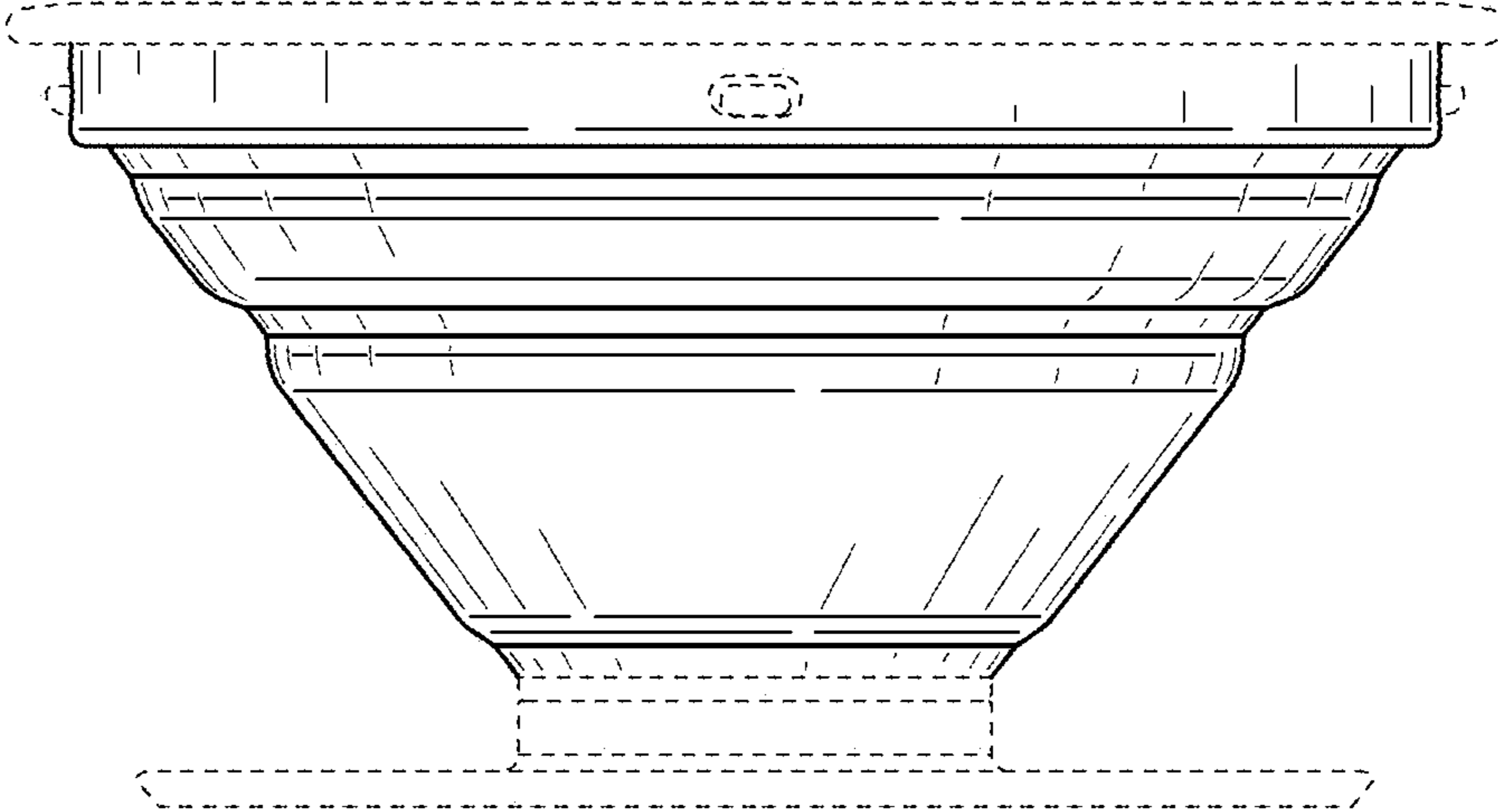


FIG. 3

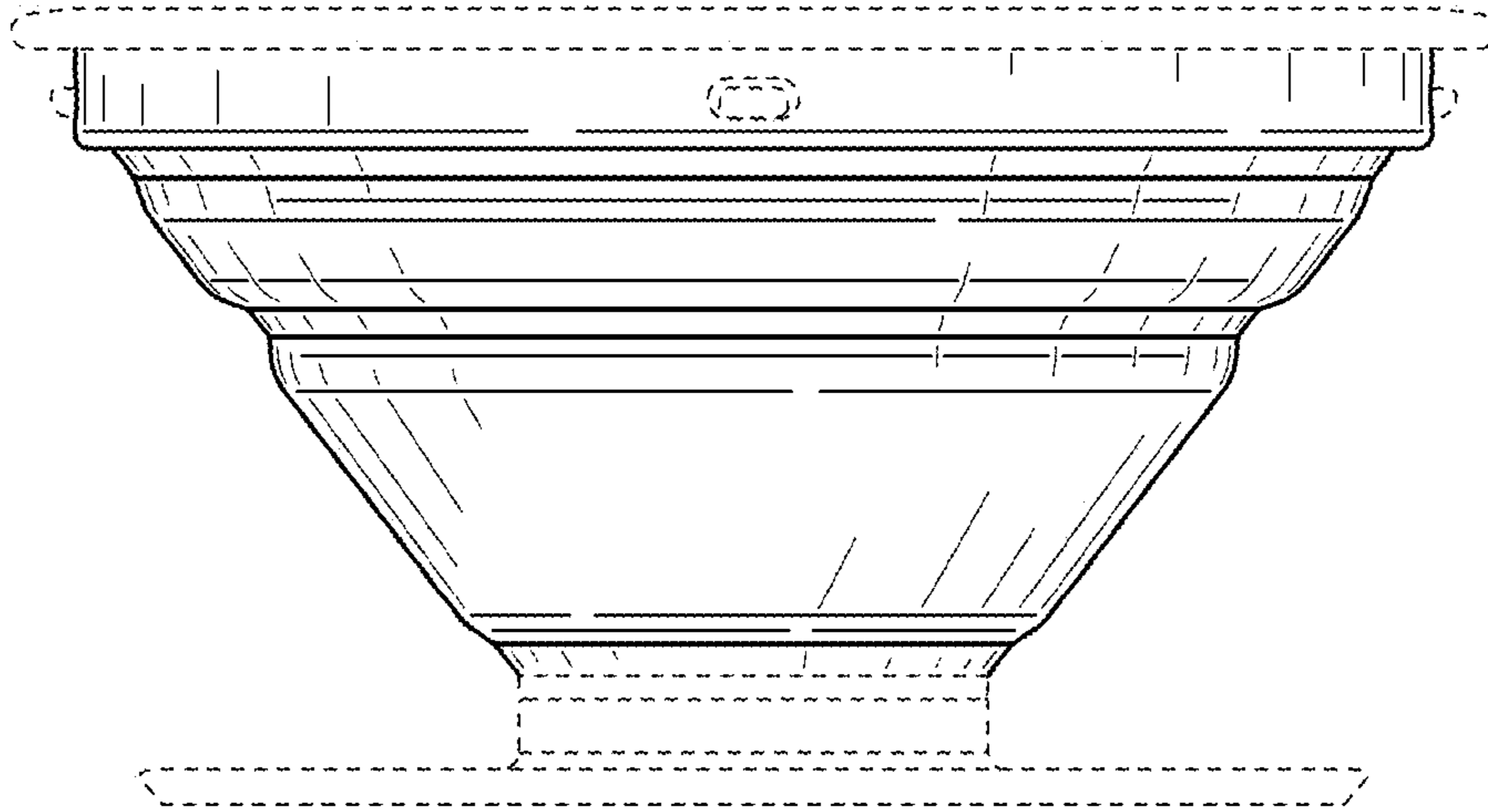


FIG. 4

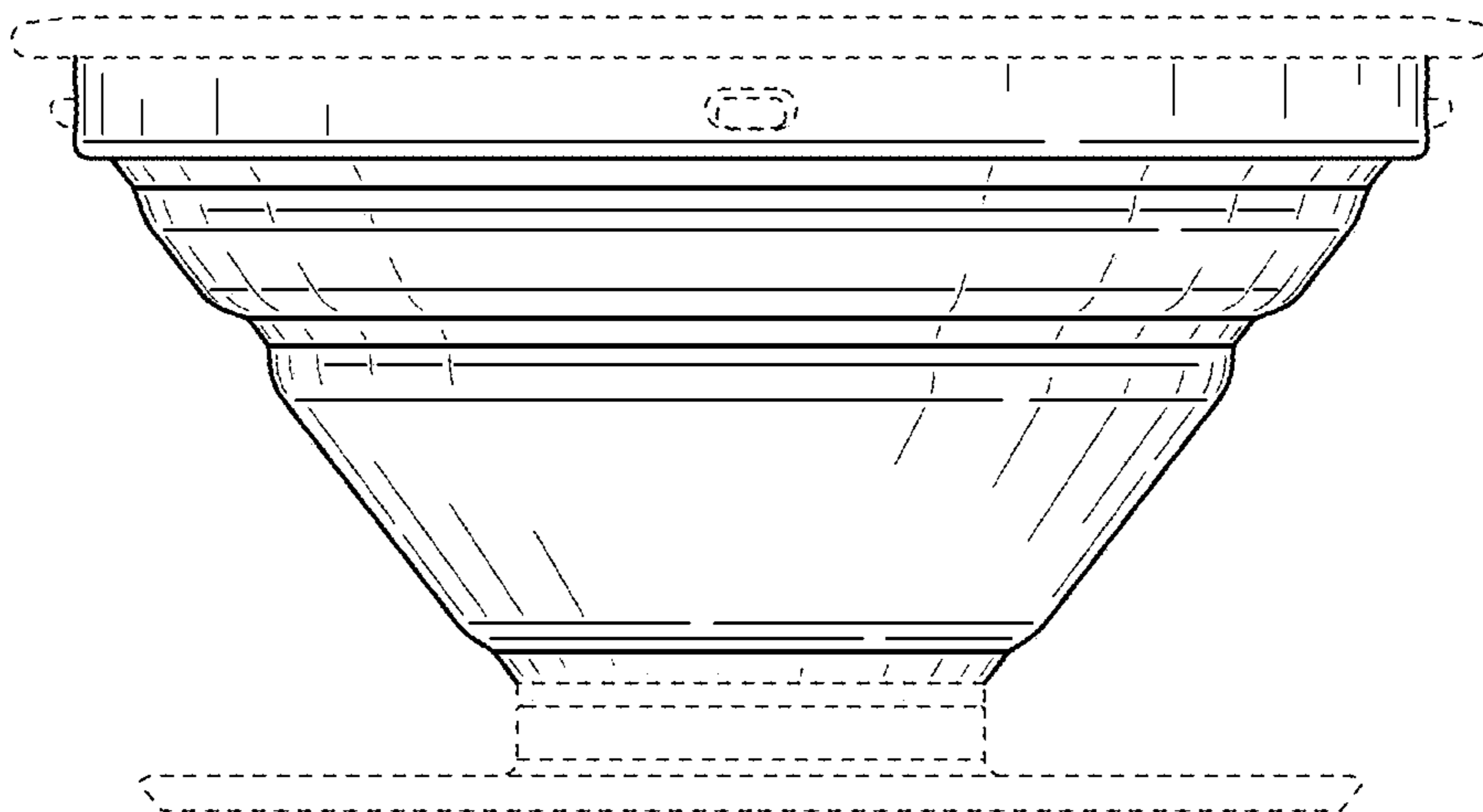
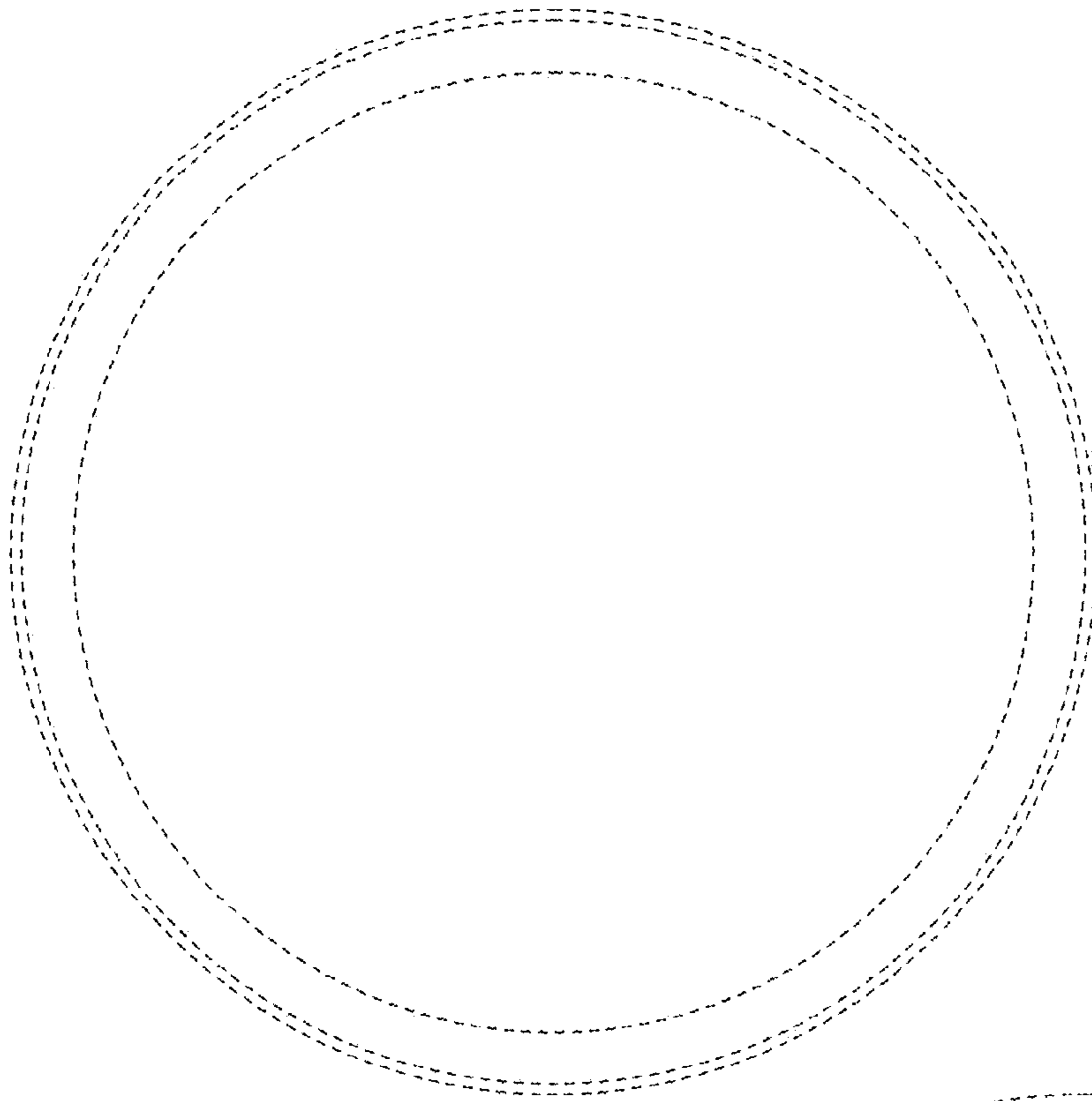
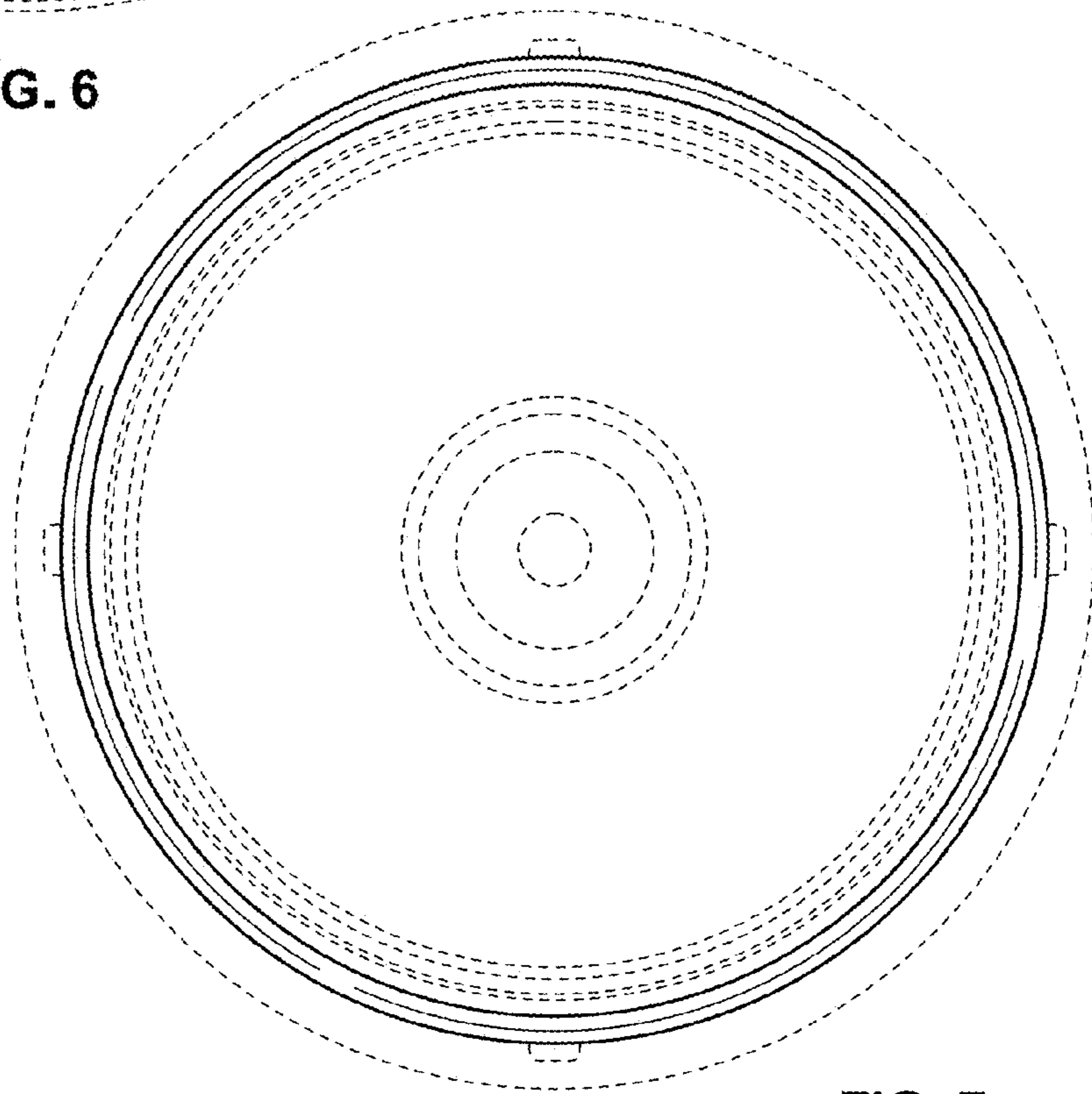


FIG. 5



**FIG. 6**



**FIG. 7**

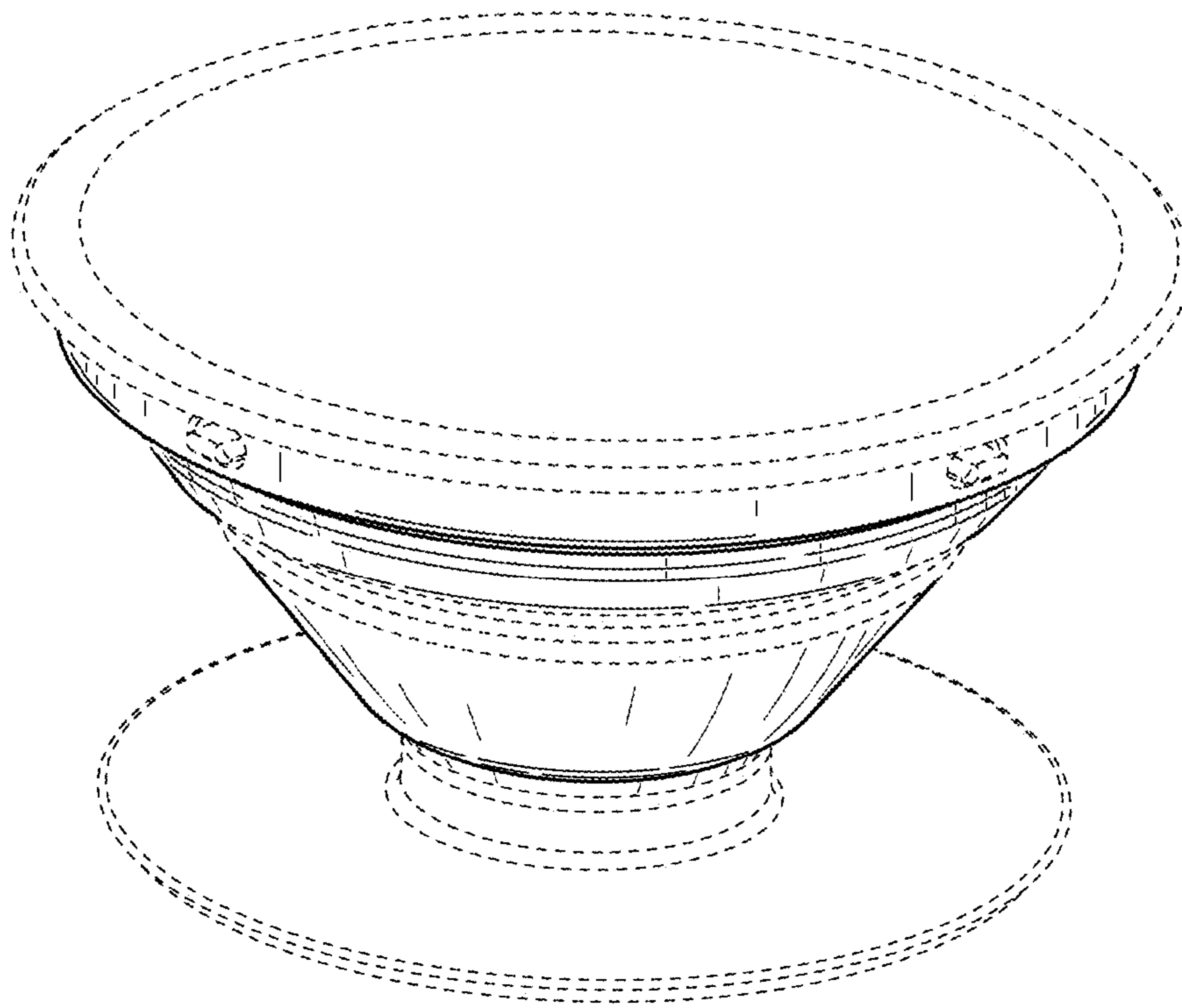


FIG. 8



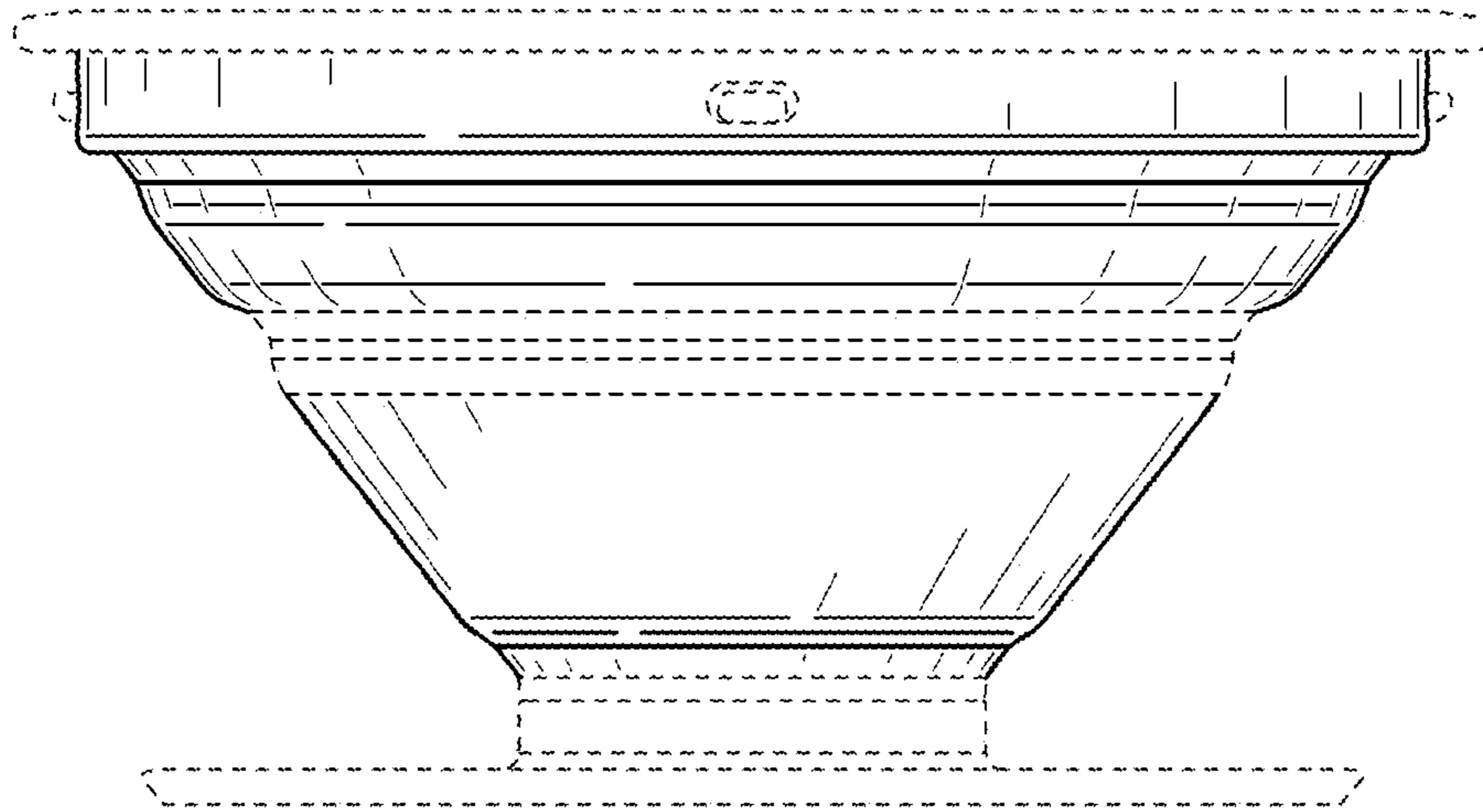


FIG. 9

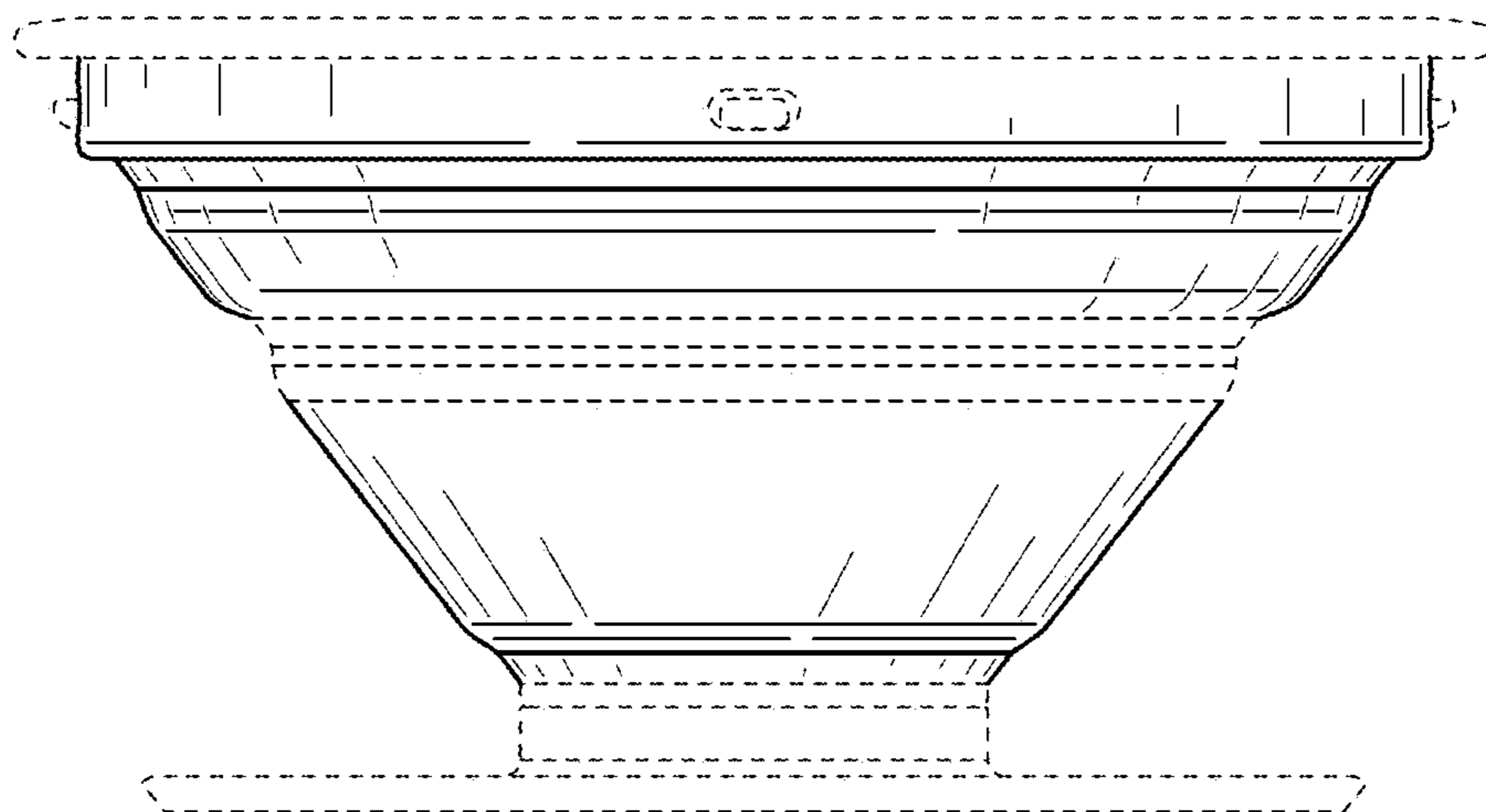


FIG. 10

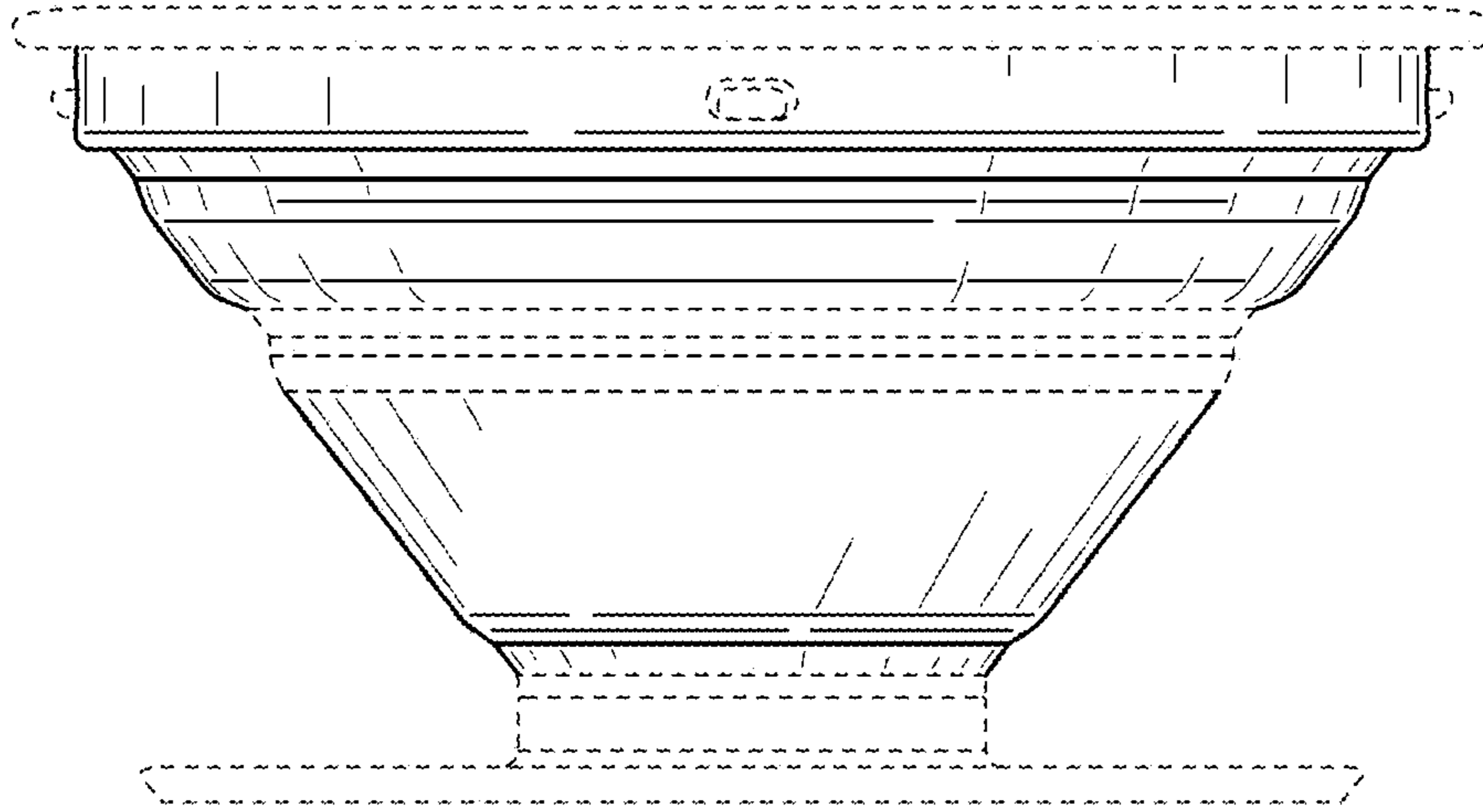


FIG. 11

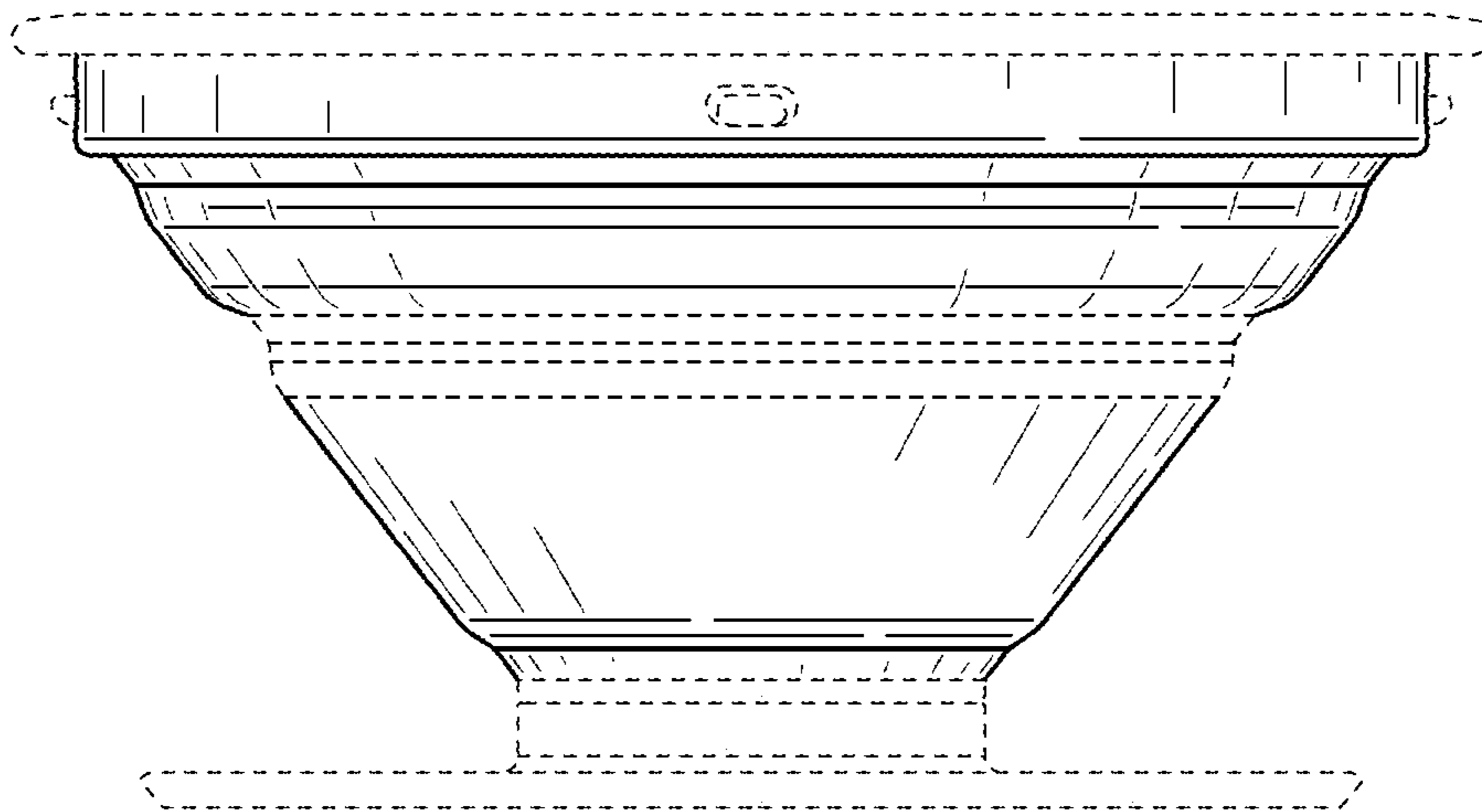


FIG. 12

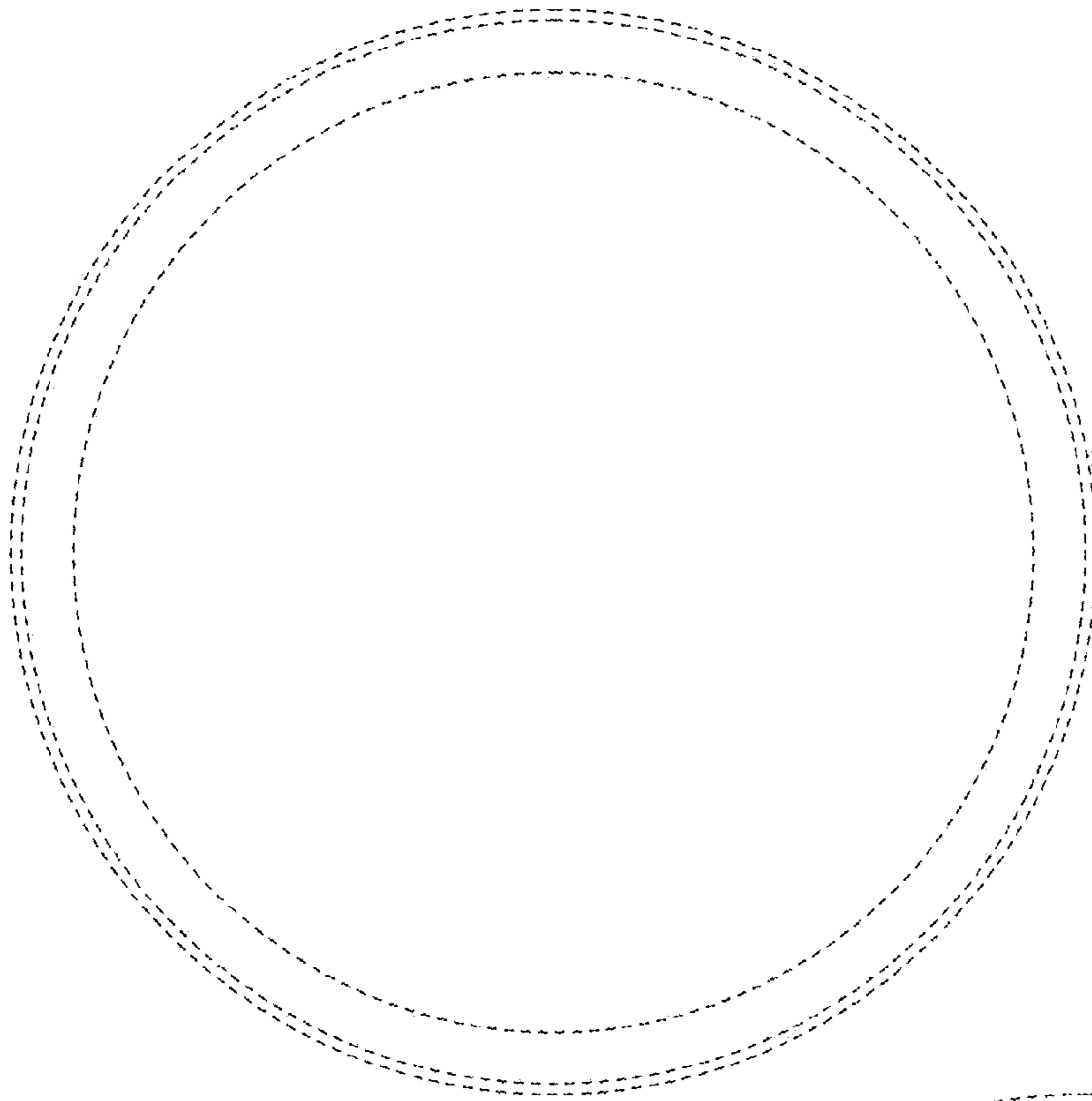


FIG. 13

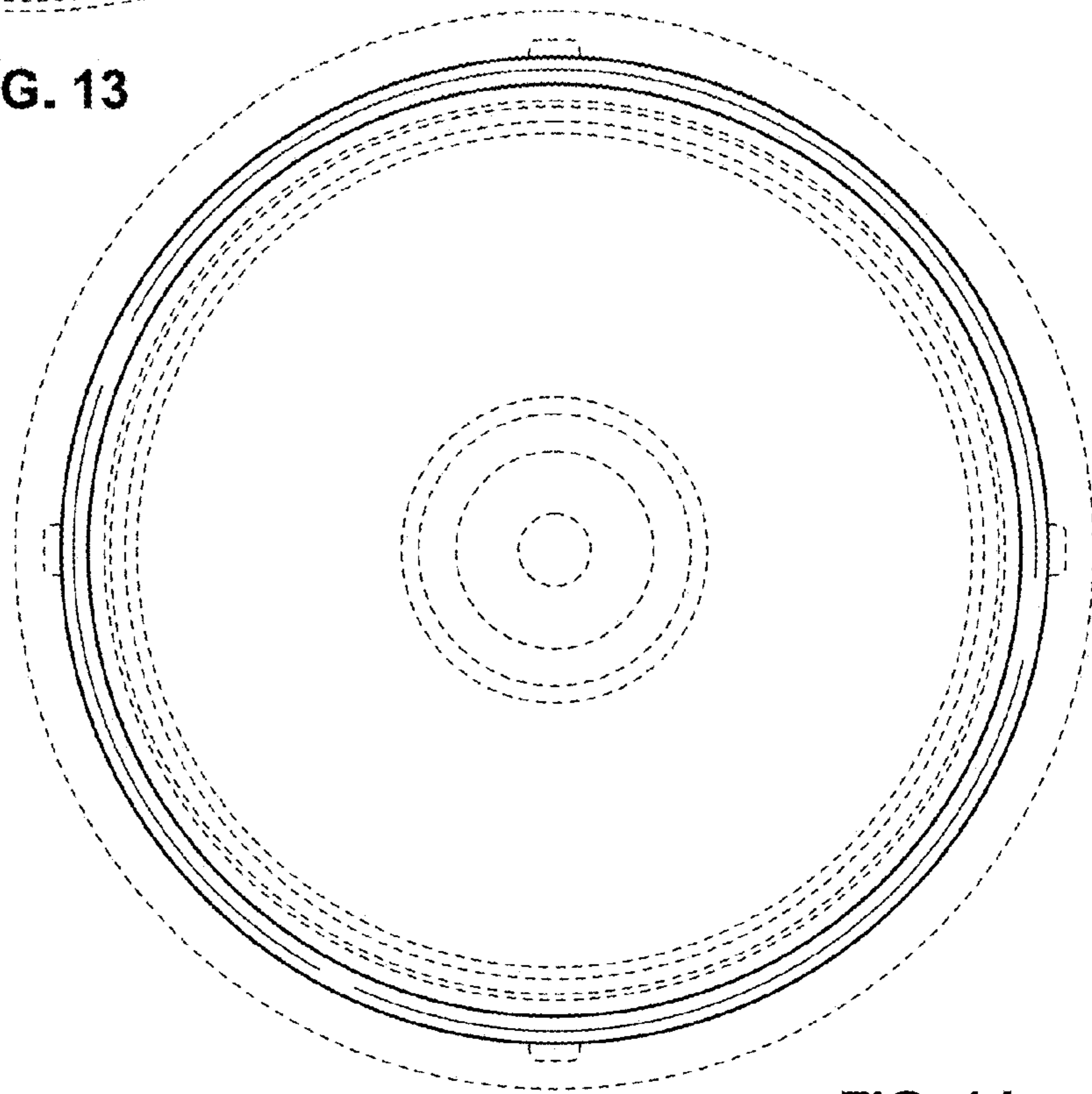


FIG. 14