



US00D928768S

(12) **United States Design Patent** (10) **Patent No.:** **US D928,768 S**
Chung et al. (45) **Date of Patent:** **** Aug. 24, 2021**

(54) **CASE FOR ELECTRONIC COMMUNICATIONS DEVICE**

(71) Applicant: **Samsung Electronics Co., Ltd.**,
Suwon-si (KR)

(72) Inventors: **Chong-Yoon Chung**, Suwon-si (KR);
Bum-Soo Park, Suwon-si (KR);
Hyun-Keun Son, Suwon-si (KR)

(73) Assignee: **SAMSUNG ELECTRONICS CO., LTD.**, Suwon-si (KR)

(**) Term: **15 Years**

(21) Appl. No.: **29/729,140**

(22) Filed: **Mar. 24, 2020**

(30) **Foreign Application Priority Data**

Sep. 26, 2019 (KR) 30-2019-0046180

(51) **LOC (13) Cl.** **14-03**

(52) **U.S. Cl.**
USPC **D14/250**

(58) **Field of Classification Search**

USPC D14/203.3–203.7, 439, 251–253, 447,
D14/217, 240, 238.1, 250, 440, 248;
(Continued)

(56) **References Cited**

U.S. PATENT DOCUMENTS

D648,332 S * 11/2011 Kim D14/248
D659,691 S * 5/2012 Kim D14/250
(Continued)

Primary Examiner — Carla J Wright

(74) *Attorney, Agent, or Firm* — McAndrews Held & Malloy, Ltd.

(57) **CLAIM**

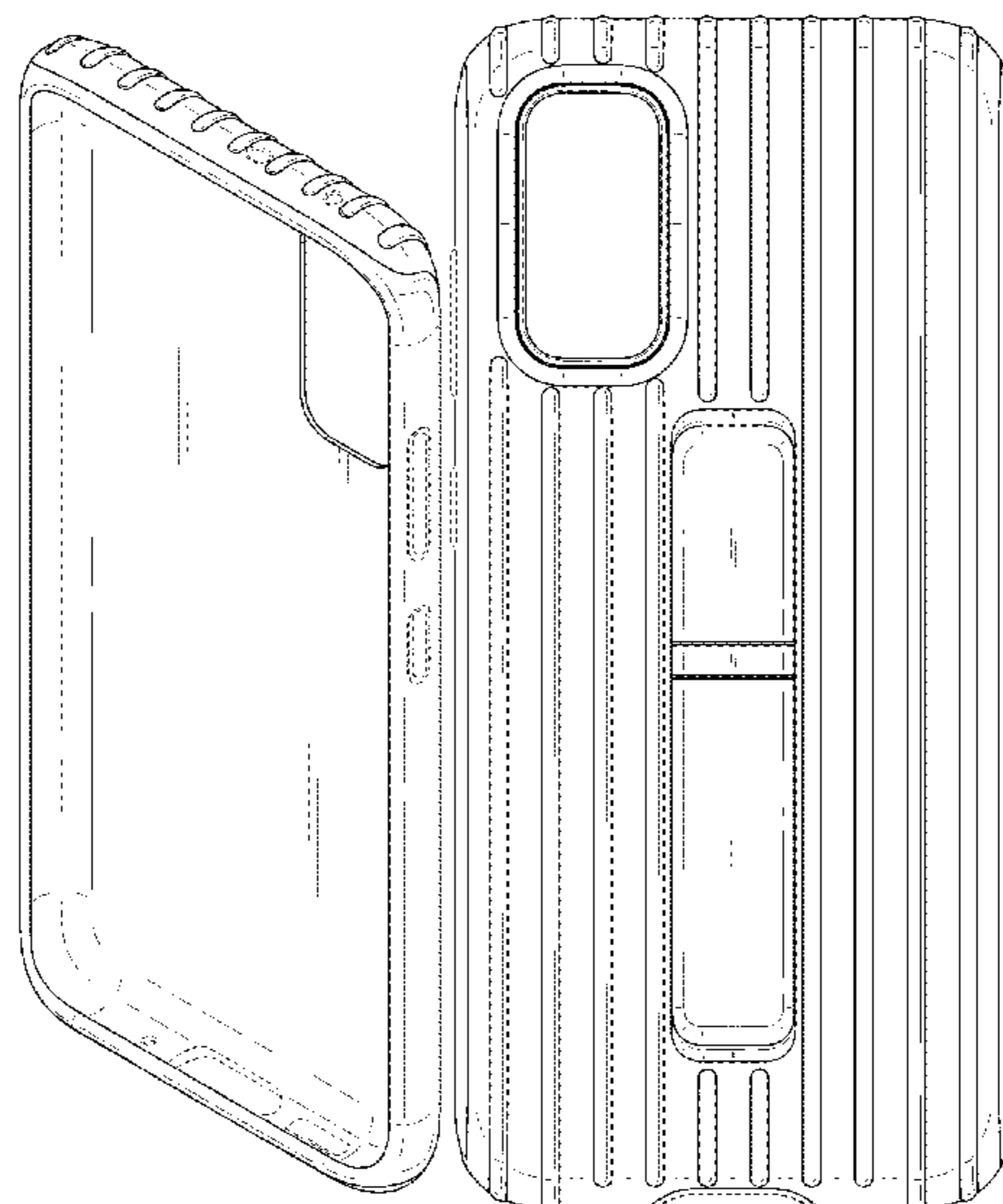
The ornamental design for a case for electronic communications device, as shown and described.

DESCRIPTION

FIG. 1 is a front, right-side, and top perspective view of a case for electronic communications device showing our new design according to a first embodiment; FIG. 2 is a front elevation view thereof; FIG. 3 is a rear elevation view thereof; FIG. 4 is a left side elevation view thereof; FIG. 5 is a right side elevation view thereof; FIG. 6 is a top plan view thereof; FIG. 7 is a bottom plan view thereof; FIG. 8 is a rear, left-side, and bottom perspective view thereof; FIG. 9 is a front, right-side, and top perspective view of a case for electronic communications device showing our new design according to a second embodiment; FIG. 10 is a front elevation view thereof; FIG. 11 is a rear elevation view thereof; FIG. 12 is a left side elevation view thereof; FIG. 13 is a right side elevation view thereof; FIG. 14 is a top plan view thereof; FIG. 15 is a bottom plan view thereof; FIG. 16 is a rear, left-side, and bottom perspective view; FIG. 17 is a front, right-side, and top perspective view of a case for electronic communications device showing our new design according to a third embodiment; FIG. 18 is a front elevation view thereof; FIG. 19 is a rear elevation view thereof; FIG. 20 is a left side elevation view thereof; FIG. 21 is a right side elevation view thereof; FIG. 22 is a top plan view thereof; FIG. 23 is a bottom plan view thereof; and, FIG. 24 is a rear, left-side, and bottom perspective view thereof.

The evenly dashed broken lines in the drawings illustrate portions of the case for electronic communications device that form no part of the embodiment of the claimed design in which the broken lines are shown.

1 Claim, 24 Drawing Sheets



(58) **Field of Classification Search**

USPC D13/107-108, 103, 119; D3/201, 218,
 D3/247, 249, 269, 273, 301, 303
 CPC . H04B 1/3888; A45C 13/02; A45C 2011/002;
 A45C 1/06; A45C 11/00; A45F 2005/026;
 A45F 2200/0525; A45F 2200/0516;
 H04M 1/0283; H04M 1/0202

See application file for complete search history.

(56) **References Cited**

U.S. PATENT DOCUMENTS

D691,123 S *	10/2013	Lay	D14/250
D705,721 S *	5/2014	Huang	D13/103
D709,484 S *	7/2014	Yoo	D14/250
D712,351 S *	9/2014	Zeng	D13/108
D762,204 S *	7/2016	Armstrong	D14/250
D776,105 S *	1/2017	Han	D14/250
D789,347 S *	6/2017	Zamudio	D14/250
D860,933 S *	9/2019	Sun	D13/108
D861,665 S *	10/2019	Li	D14/250
D889,433 S *	7/2020	Yu	D14/214
D898,667 S *	10/2020	Liu	D13/108
D902,912 S *	11/2020	Kim	D14/250
D912,035 S *	3/2021	Lee	D14/250
D915,371 S *	4/2021	Cho	D14/250
2012/0006950 A1 *	1/2012	Vandiver	F16M 11/105 248/176.3
2016/0278492 A1 *	9/2016	Morszeck	A45C 5/02
2018/0041237 A1 *	2/2018	Mody	H04B 1/3877
2019/0216195 A1 *	7/2019	Stagge	H04B 1/3888
2021/0059370 A1 *	3/2021	Del Toro	F16M 13/00

* cited by examiner

FIG. 1

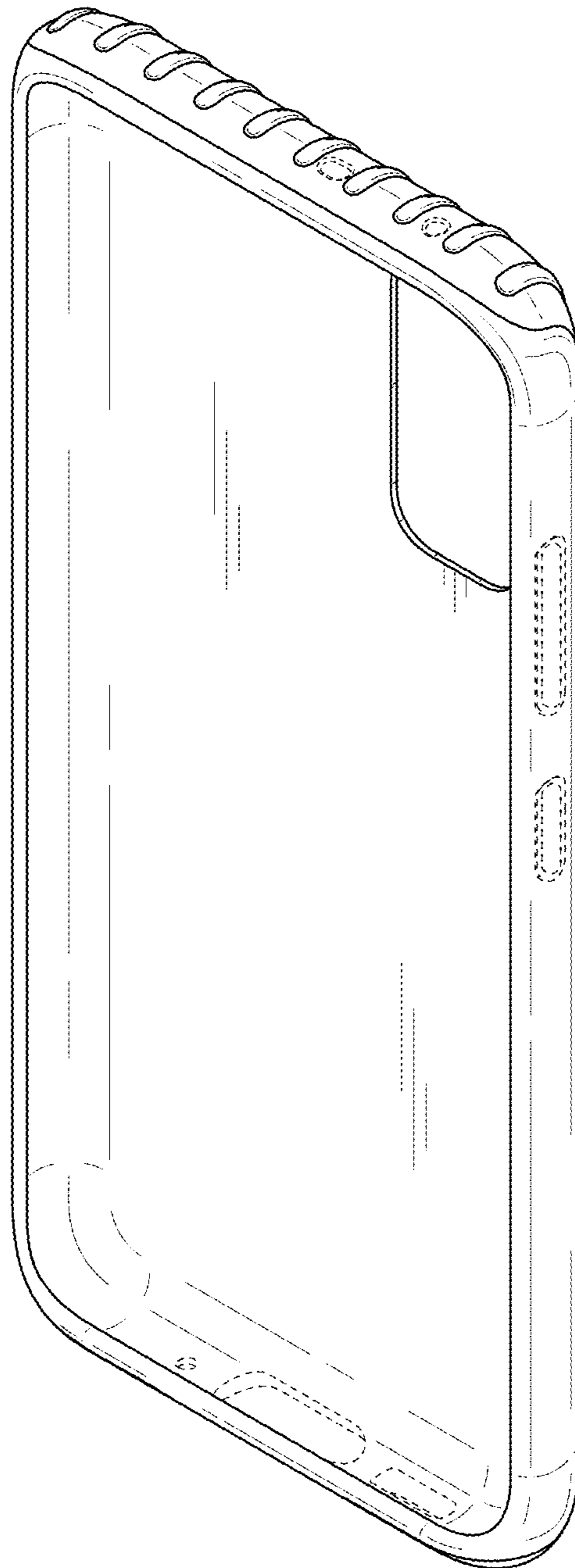


FIG. 2

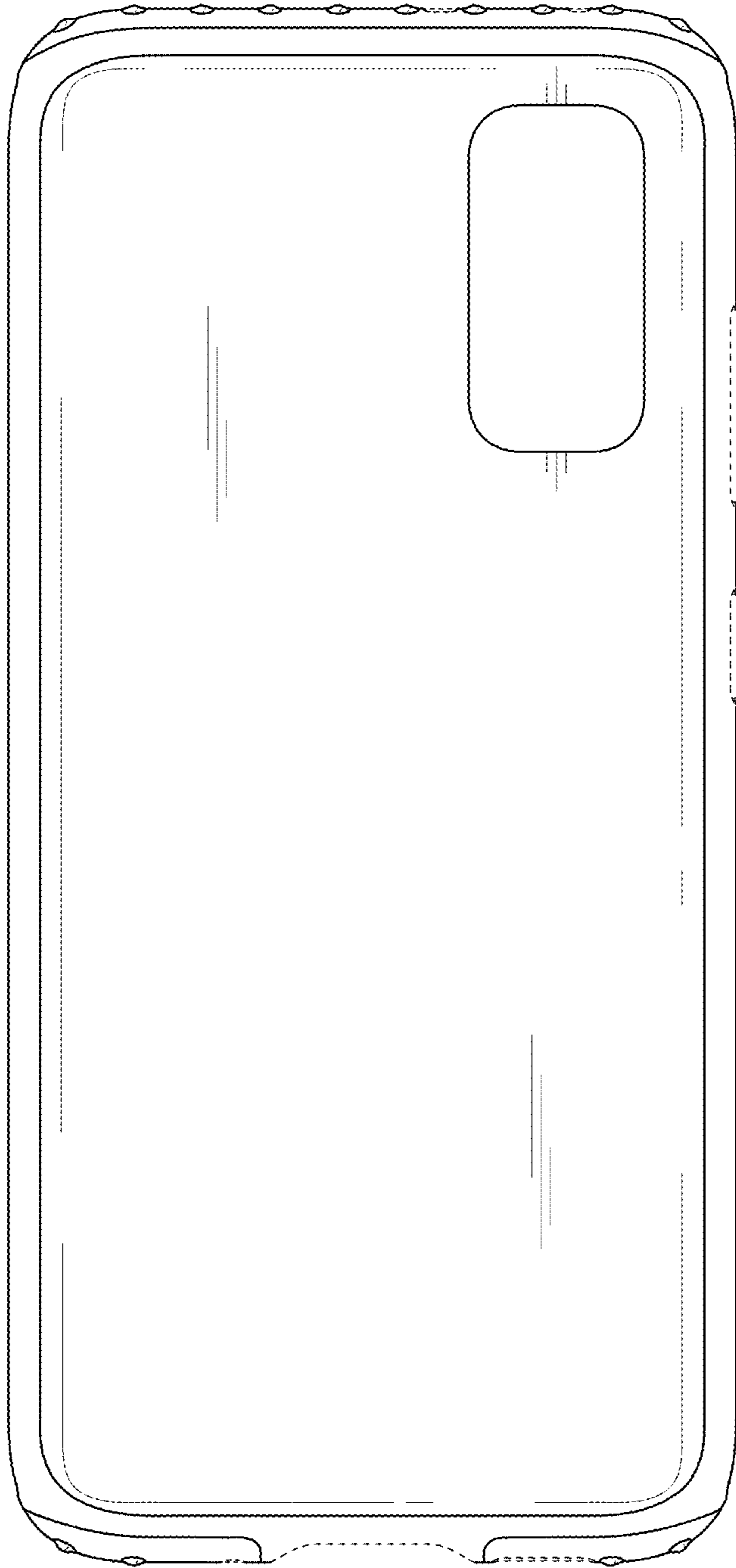


FIG. 3

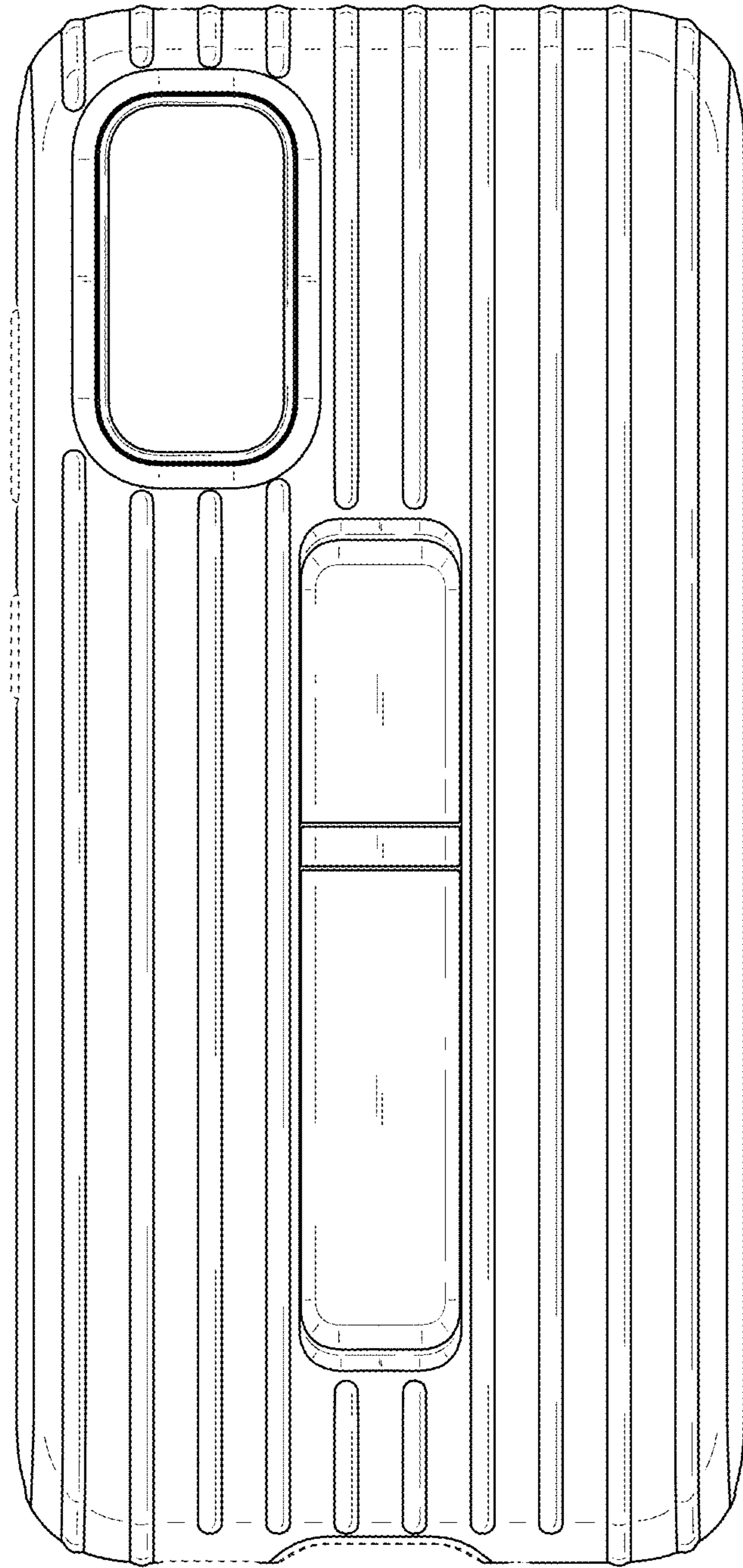


FIG. 4

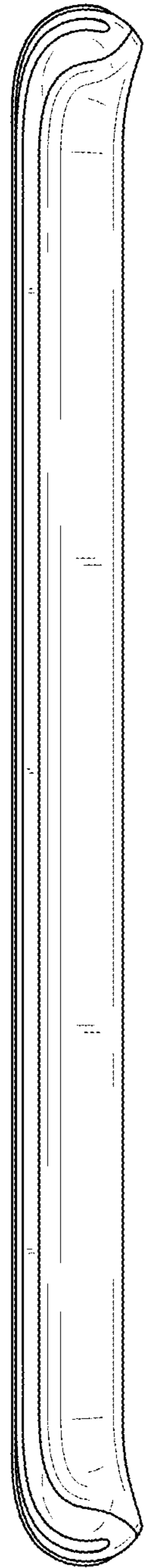


FIG. 5

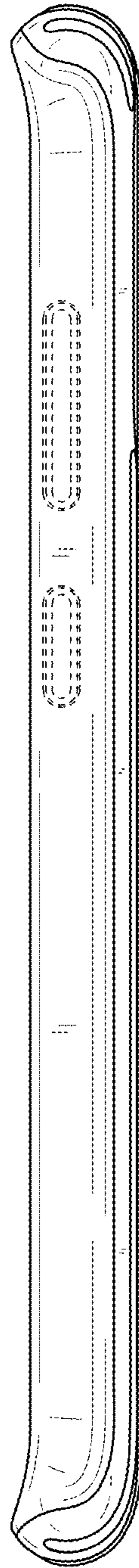


FIG. 6

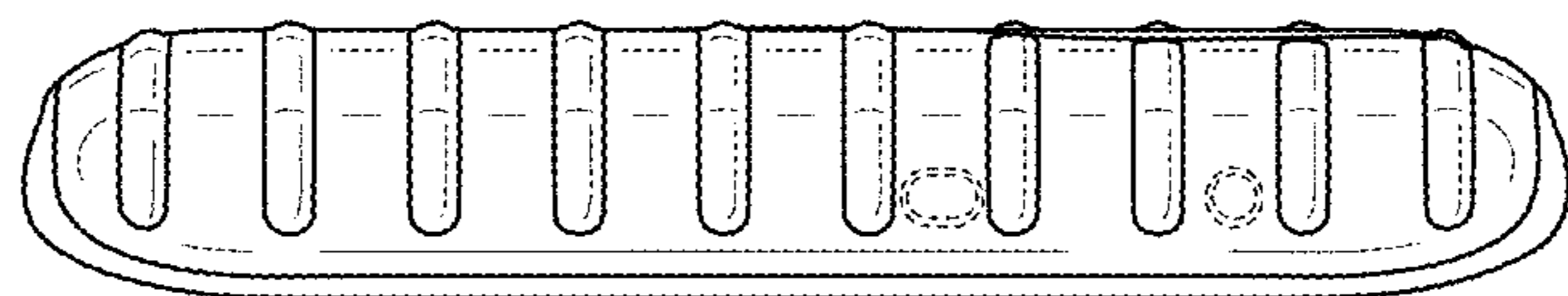


FIG. 7

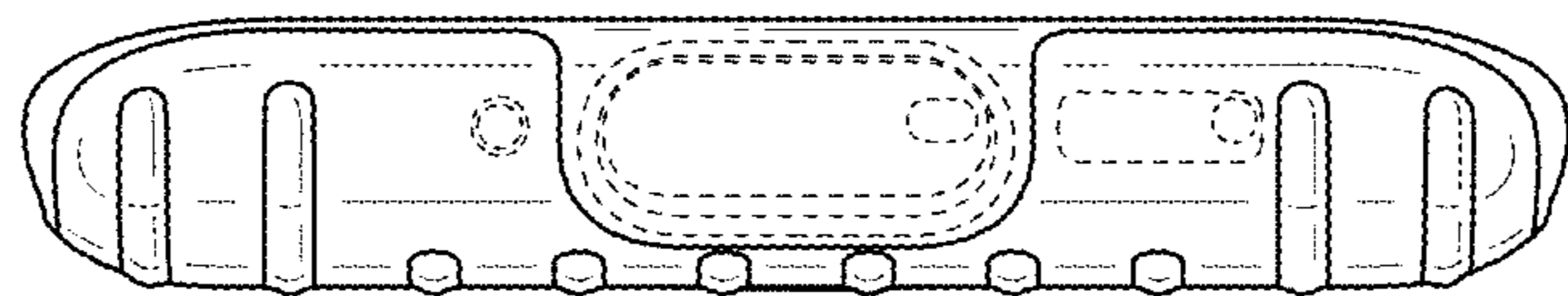


FIG. 8

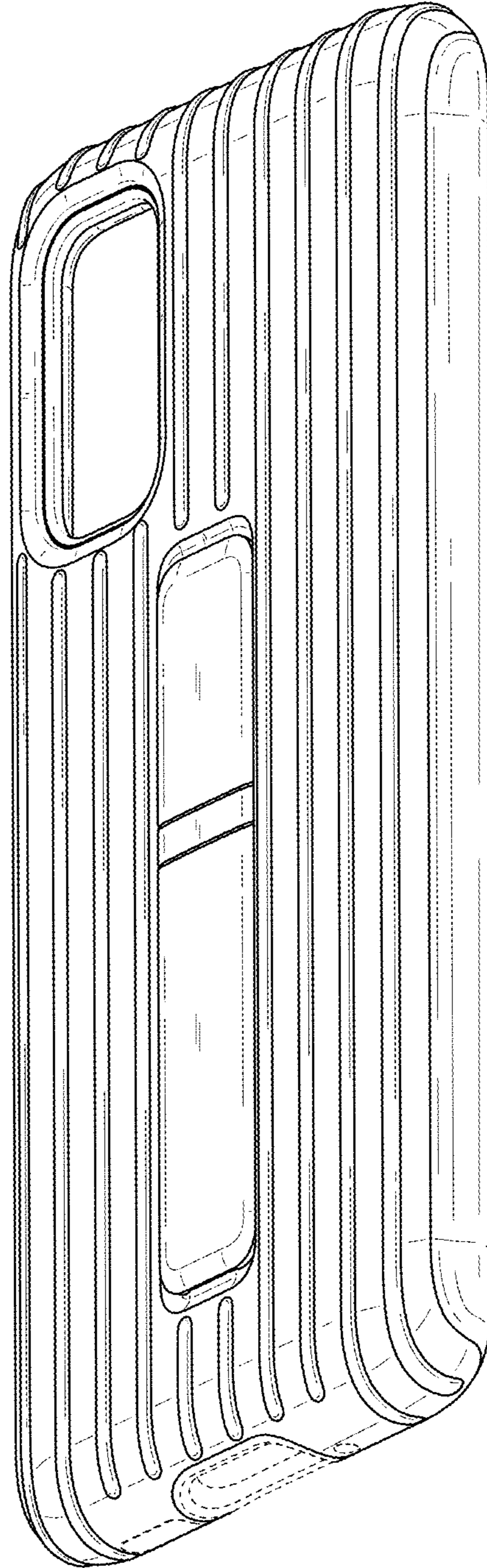


FIG. 9

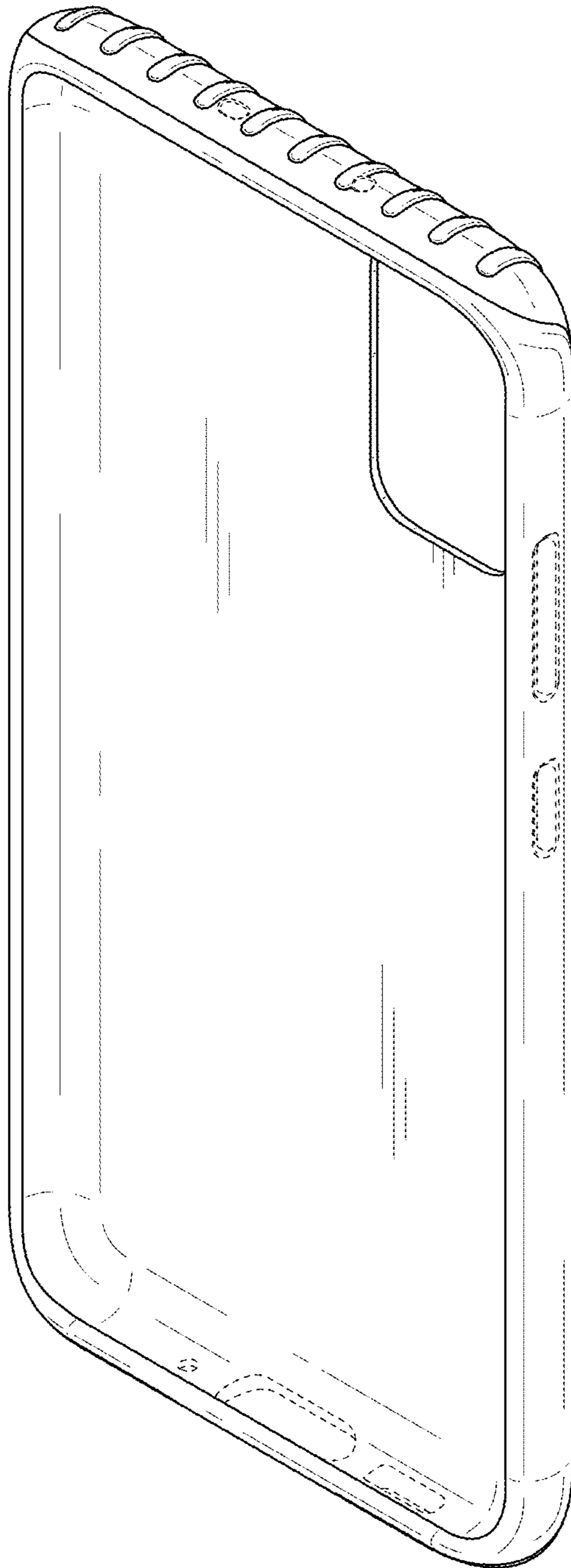


FIG. 10

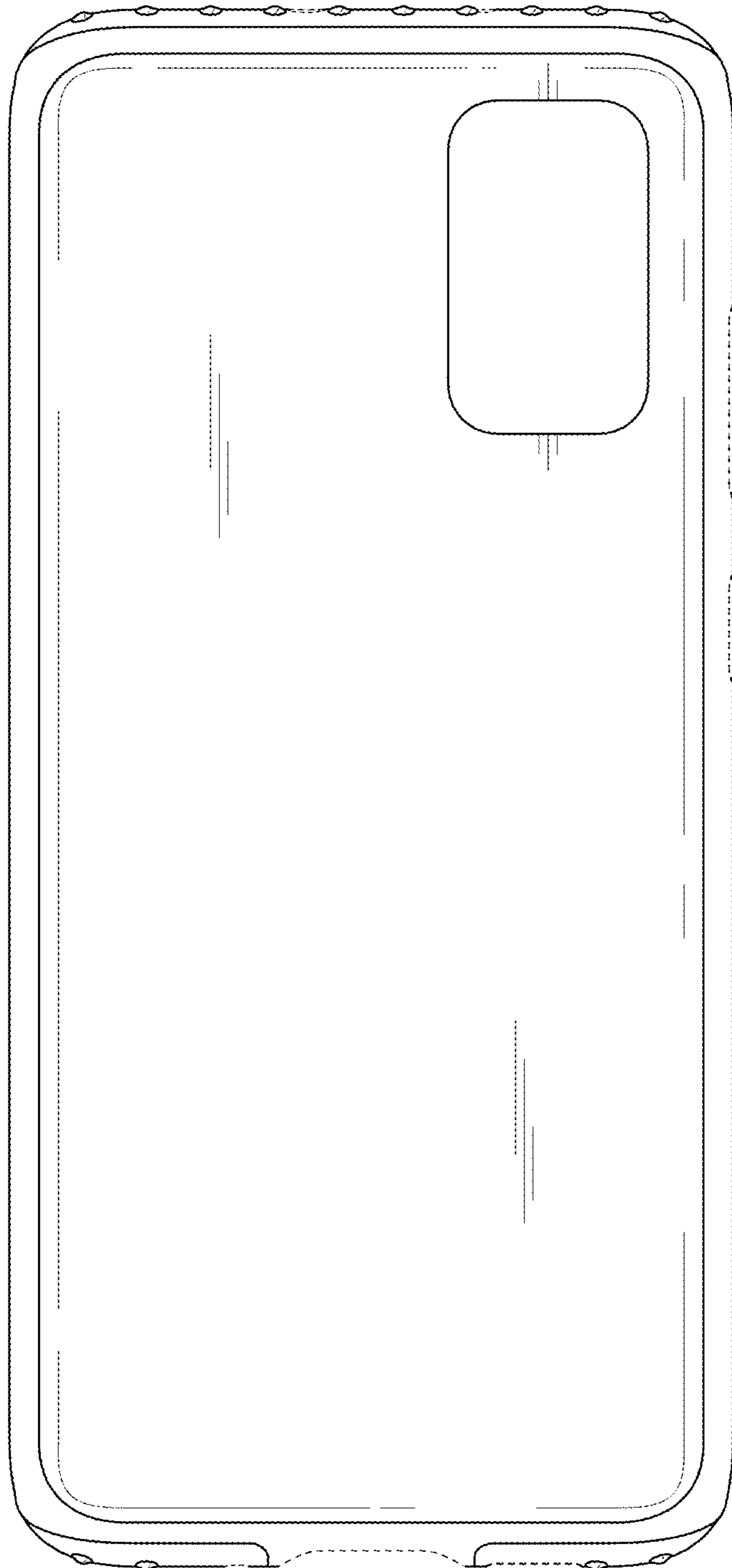


FIG. 11

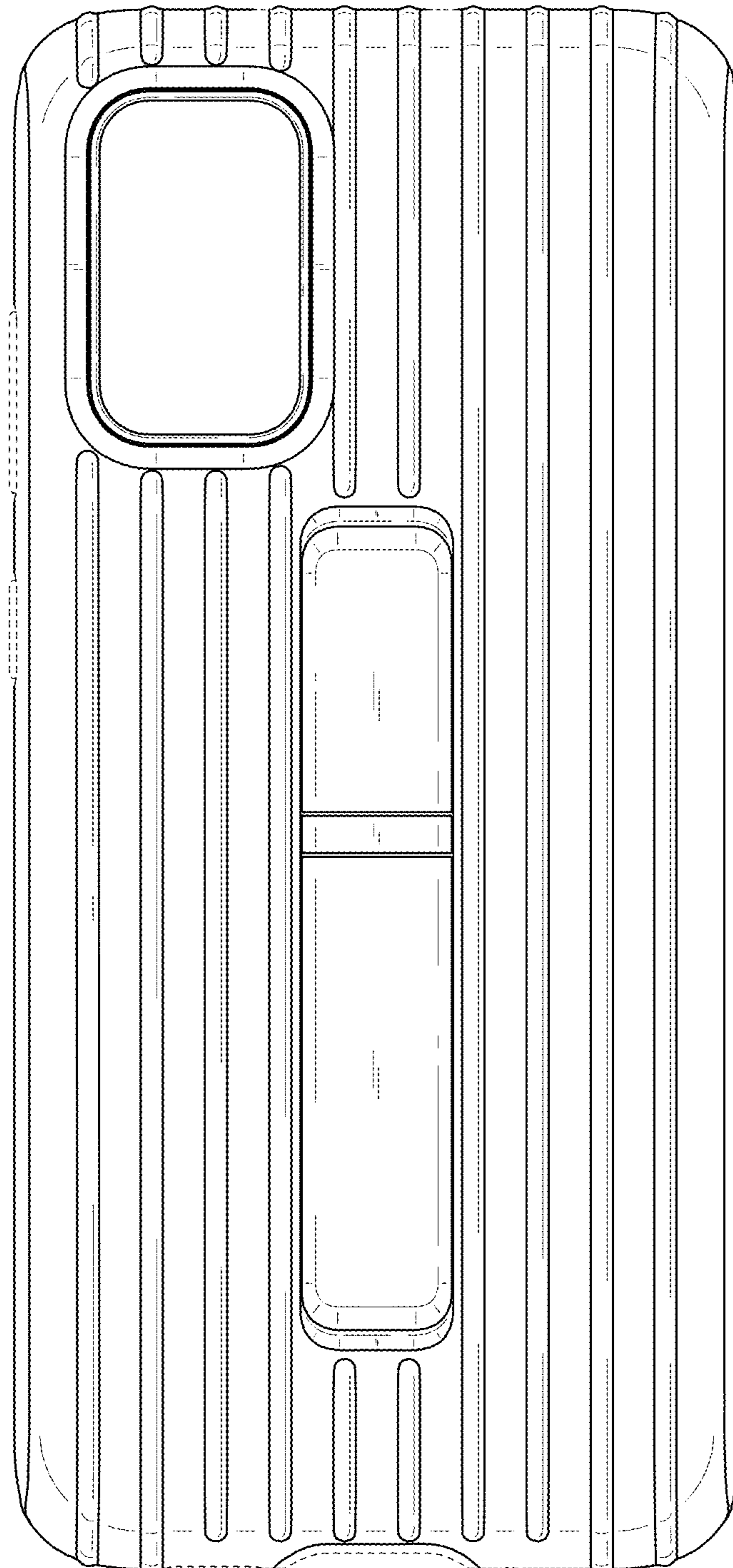


FIG. 12

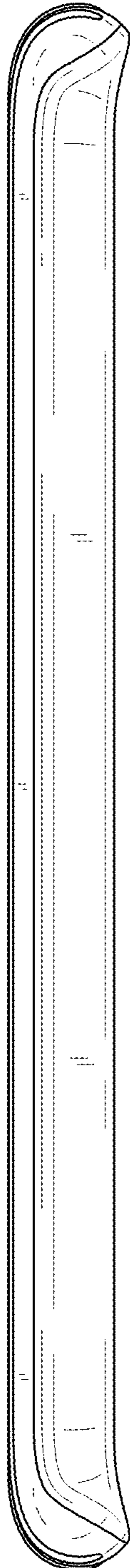


FIG. 13

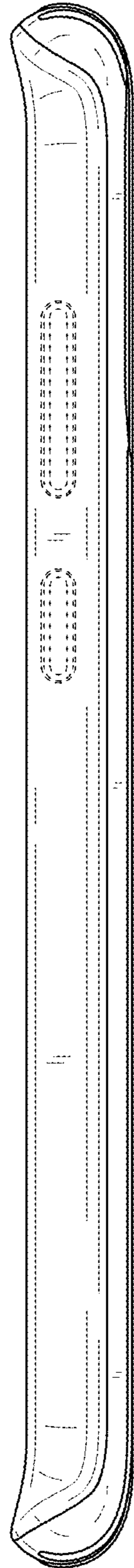


FIG. 14

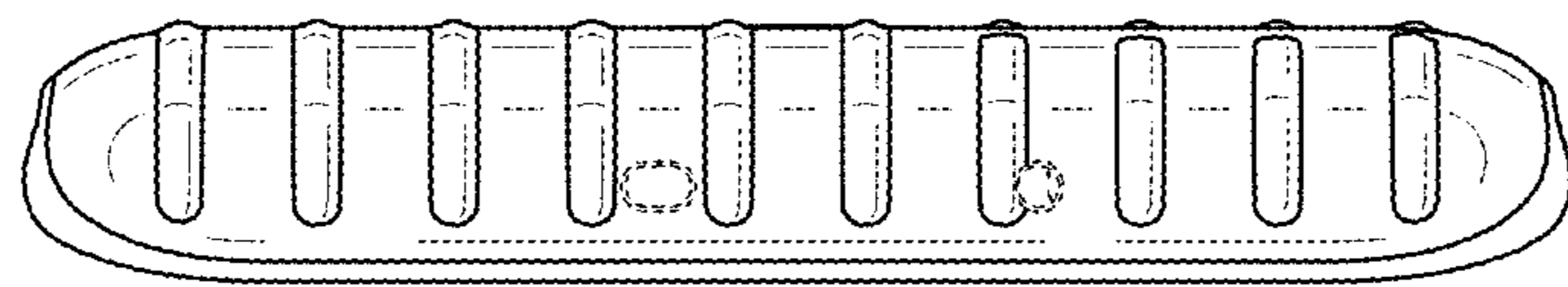


FIG. 15

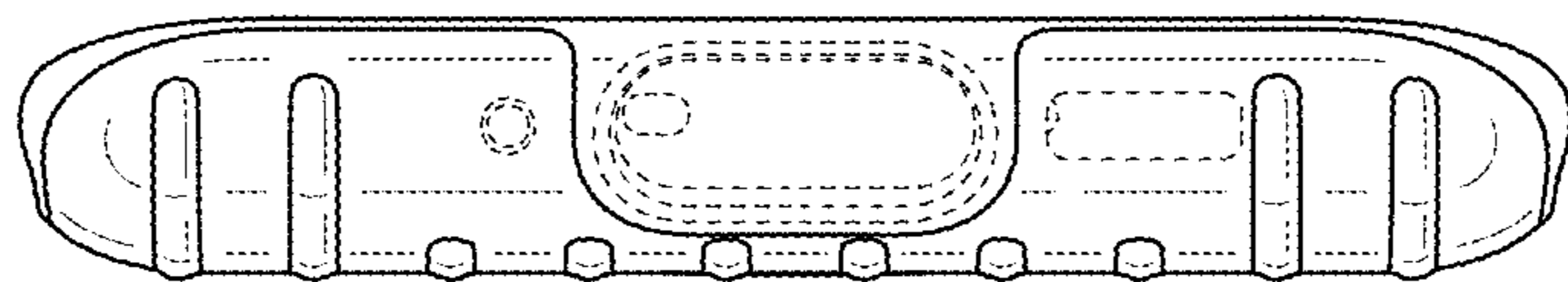


FIG. 16

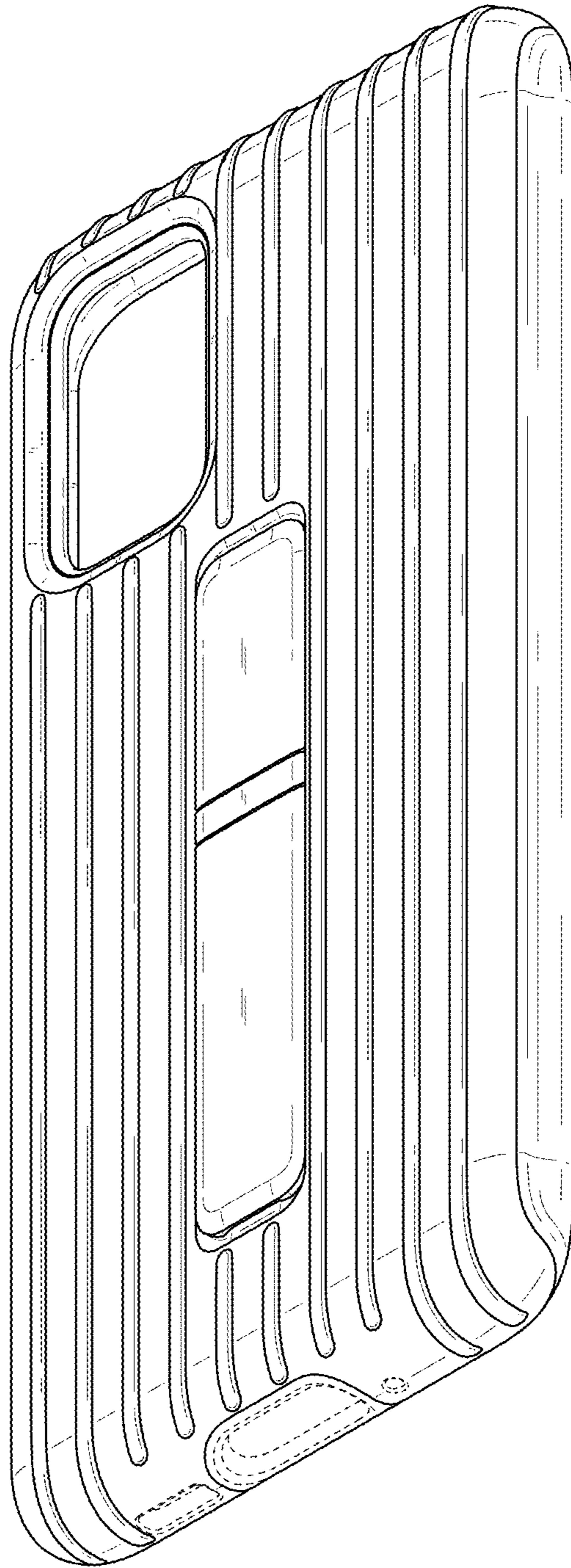


FIG. 17

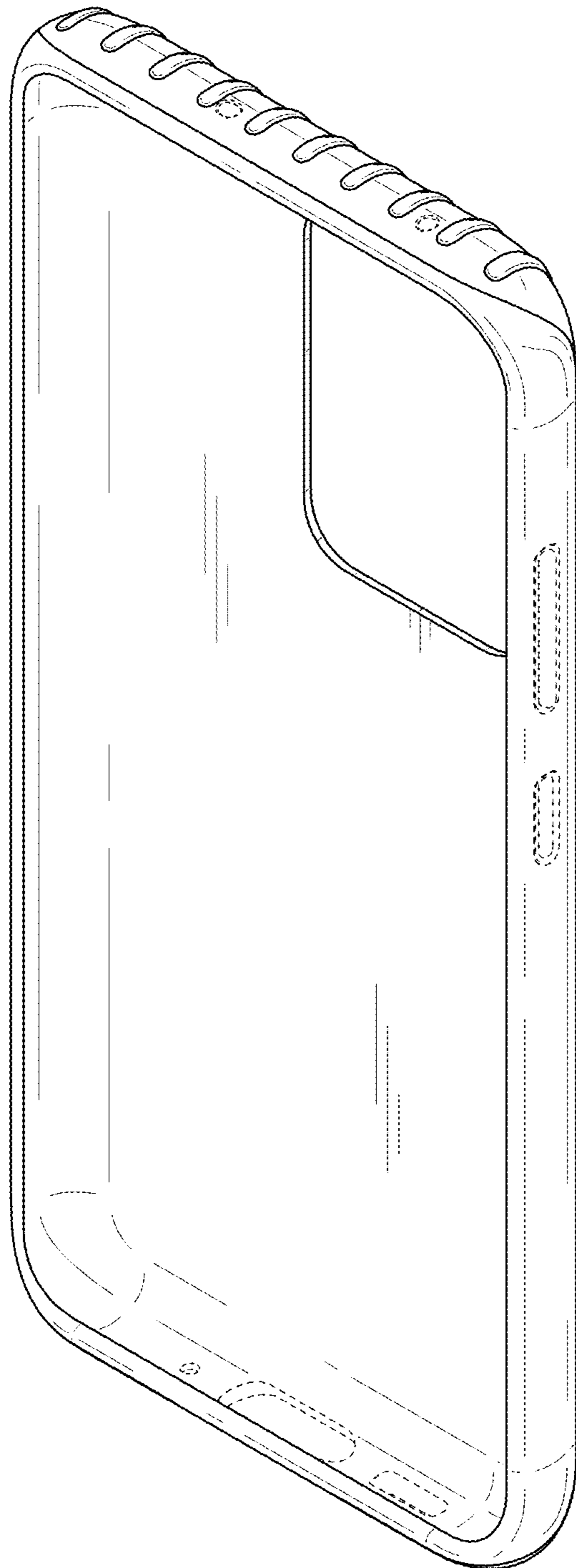


FIG. 18

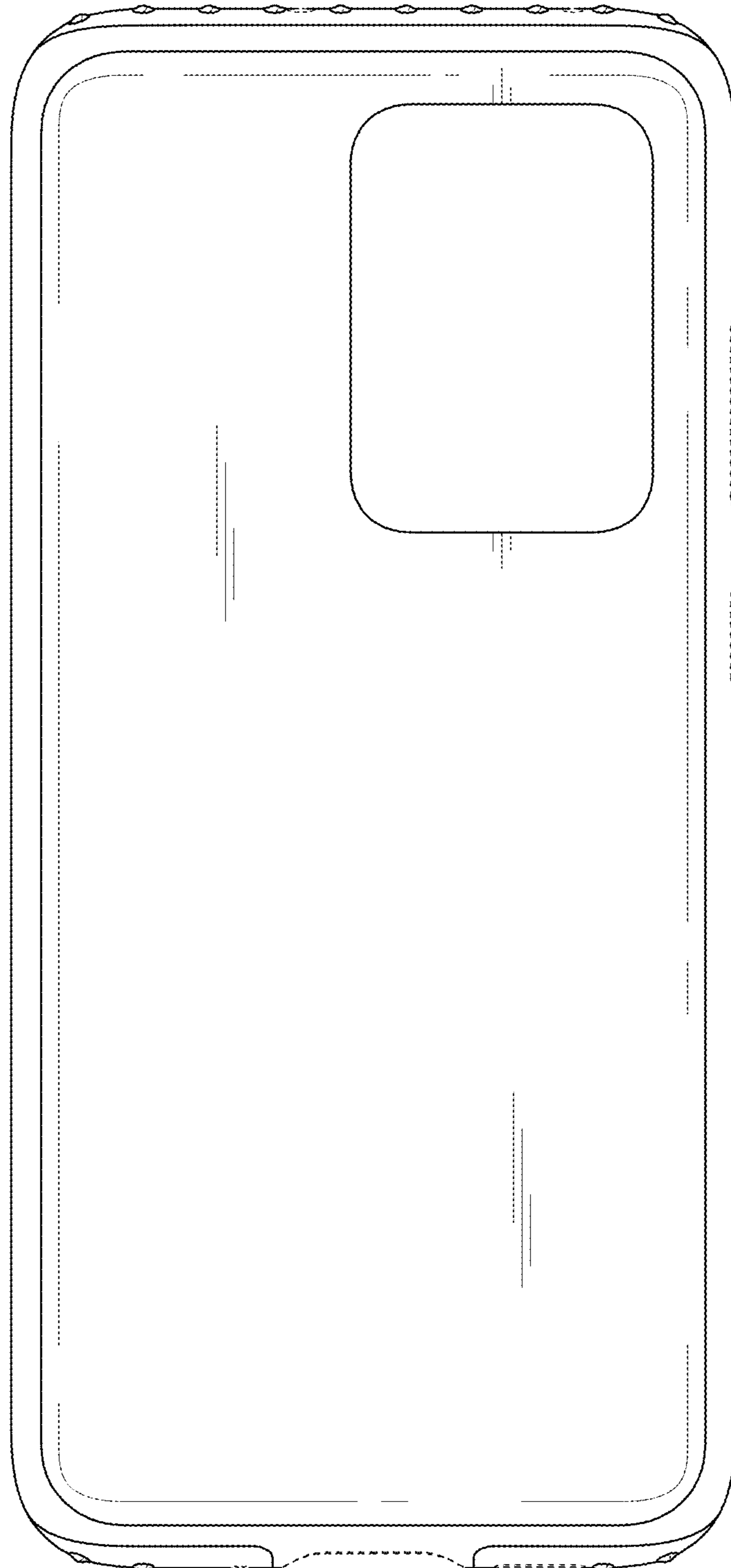


FIG. 19

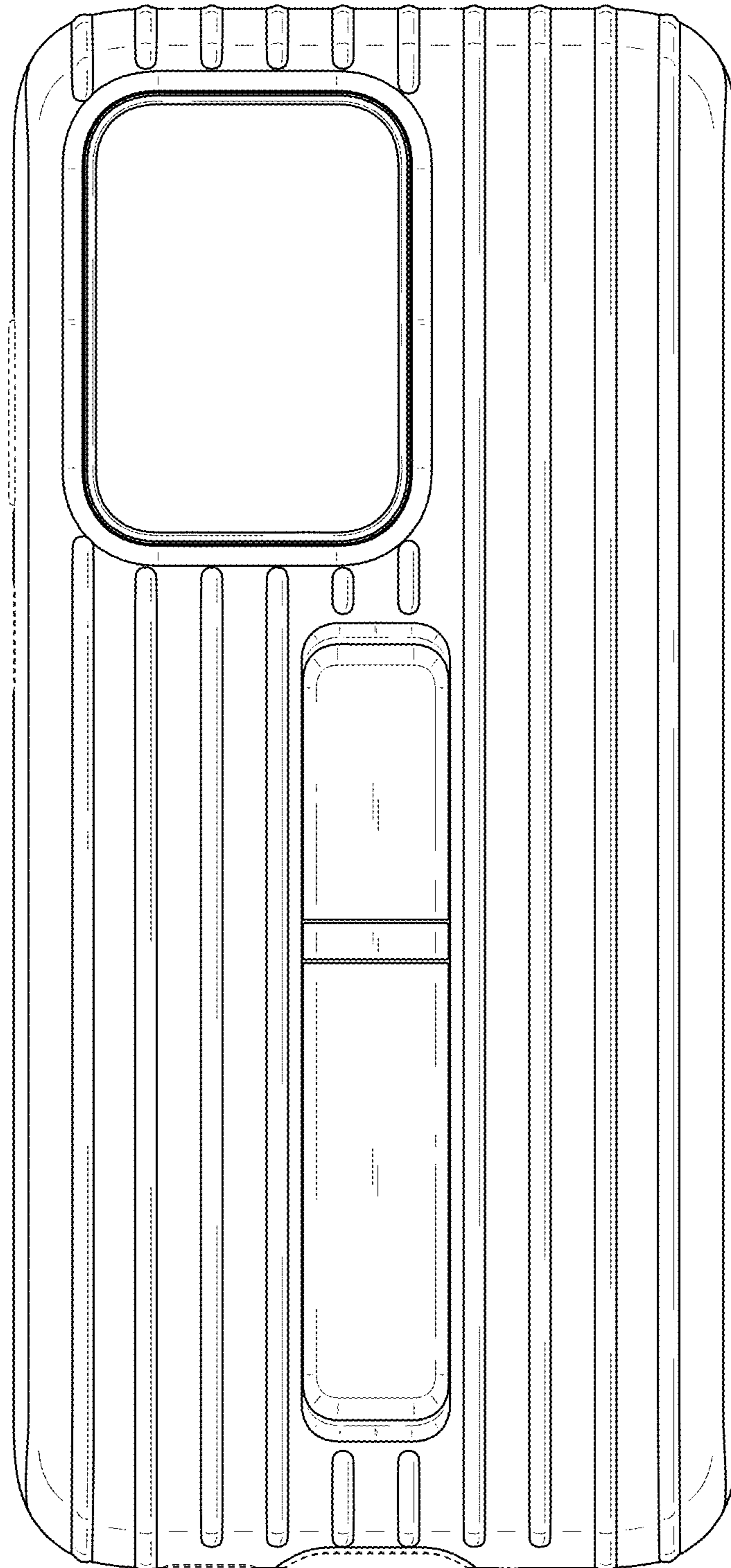


FIG. 20

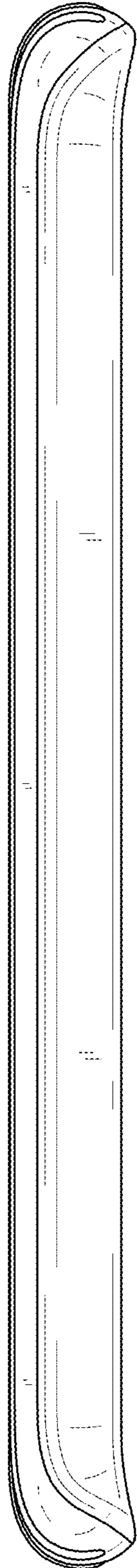


FIG. 21

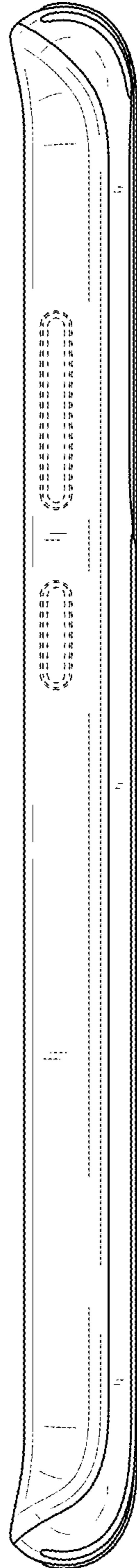


FIG. 22

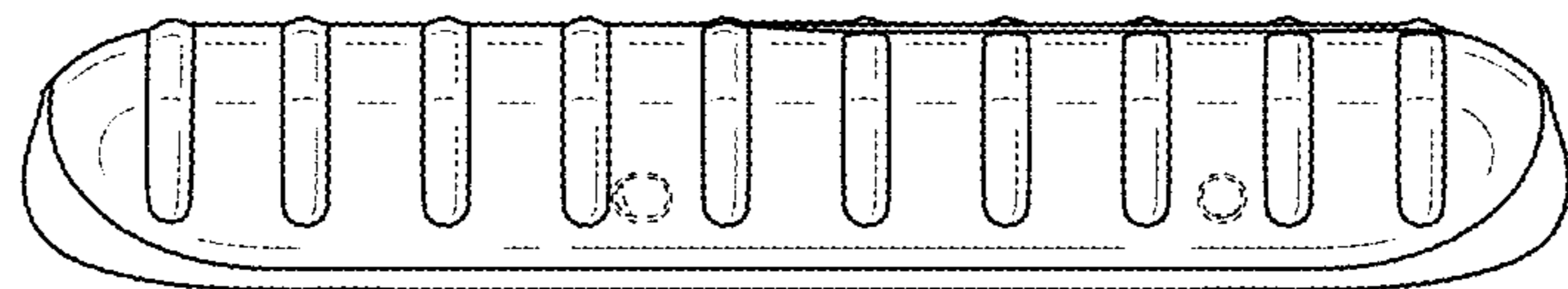


FIG. 23

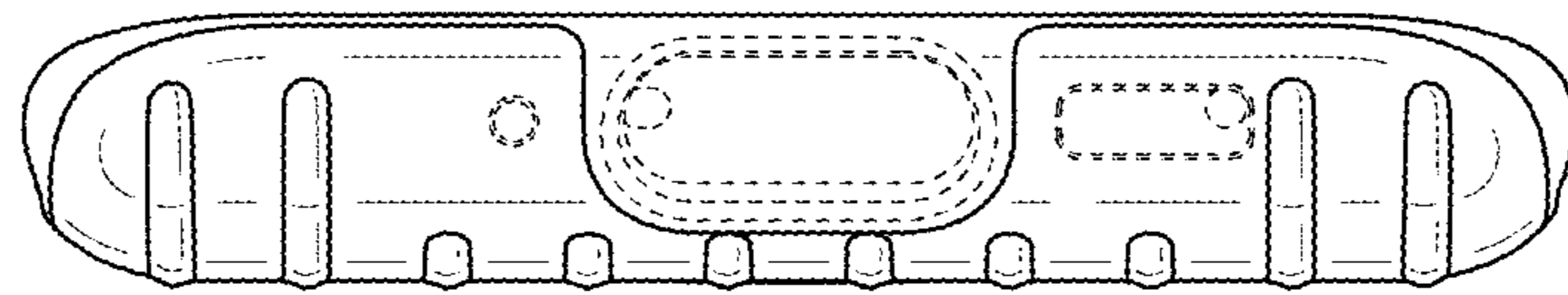


FIG. 24

