



US00D928764S

(12) **United States Design Patent** (10) **Patent No.:** **US D928,764 S**  
**Yeo** (45) **Date of Patent:** **\*\* Aug. 24, 2021**

(54) **PORTABLE DEVICE HOLDER**

(71) Applicant: **Changki Yeo**, Incheon (KR)

(72) Inventor: **Changki Yeo**, Incheon (KR)

(\*\*) Term: **15 Years**

(21) Appl. No.: **29/714,439**

(22) Filed: **Nov. 22, 2019**

(30) **Foreign Application Priority Data**

Nov. 8, 2019 (KR) ..... 30-2019-0053481

(51) **LOC (13) Cl.** ..... **14-03**

(52) **U.S. Cl.**

USPC ..... **D14/250**; D14/251

(58) **Field of Classification Search**

USPC ..... D14/251-253, 447, 452, 432-434, 440, D14/439, 254, 217, 224, 224.1, 238.1, D14/299, 451, 483, 250, 458; D12/415-426, 426.1, 114, 223; D03/218, D03/215, 201, 207, 208, 212, 247, 232; D16/242, 245, 208, 206, 218, 219, 243, D16/237; D8/349, 363, 306, 307, 352, D8/401; D2/624, 625, 627, 635, 632, D2/999; D7/620, 619.1, 602, 701; D6/553, 512

CPC ... A45C 11/00; A45F 5/00; A45F 5/10; A45F 5/02; A45F 2200/0516; A45F 2200/0525; A45F 2200/0533; A45F 2200/0508; A45F 2005/008; A47G 23/0216; B60R 11/00; B60R 11/02; B60R 11/0241; B60R 11/0252; B60R 2011/0005; B60R 2011/0008; F16B 2/06; F16M 11/00; F16M 11/04; F16M 11/06; F16M 11/2021; F16M 11/38; F16M 11/046; F16M 11/08; F16M 11/16; F16M 11/041; F16M 11/2014; F16M 11/2007; F16M 13/00; F16C 11/045; G03B

(Continued)

(56) **References Cited**

U.S. PATENT DOCUMENTS

D383,055 S \* 9/1997 Dautzenberg ..... D8/395  
D721,373 S \* 1/2015 Logereau ..... D14/432

(Continued)

*Primary Examiner* — Ramzi Almatrahi

*Assistant Examiner* — Charles Cunningham

(57) **CLAIM**

The ornamental design for a portable device holder, as shown and described.

**DESCRIPTION**

FIG. 1 is a front perspective view of a portable device holder showing my new design;

FIG. 2 is a front elevational view thereof;

FIG. 3 is a rear elevational view thereof;

FIG. 4 is a left side elevational view thereof, the right side elevational view being a mirror image thereof;

FIG. 5 is a top plan view thereof, the bottom plan view being a mirror image thereof;

FIG. 6 is a front perspective view thereof, shown with the portable device holder in an extended position;

FIG. 7 is a front perspective view thereof, shown with the portable device holder in a retracted position and in condition of use with a portable device disclosed in broken lines to illustrate an environment;

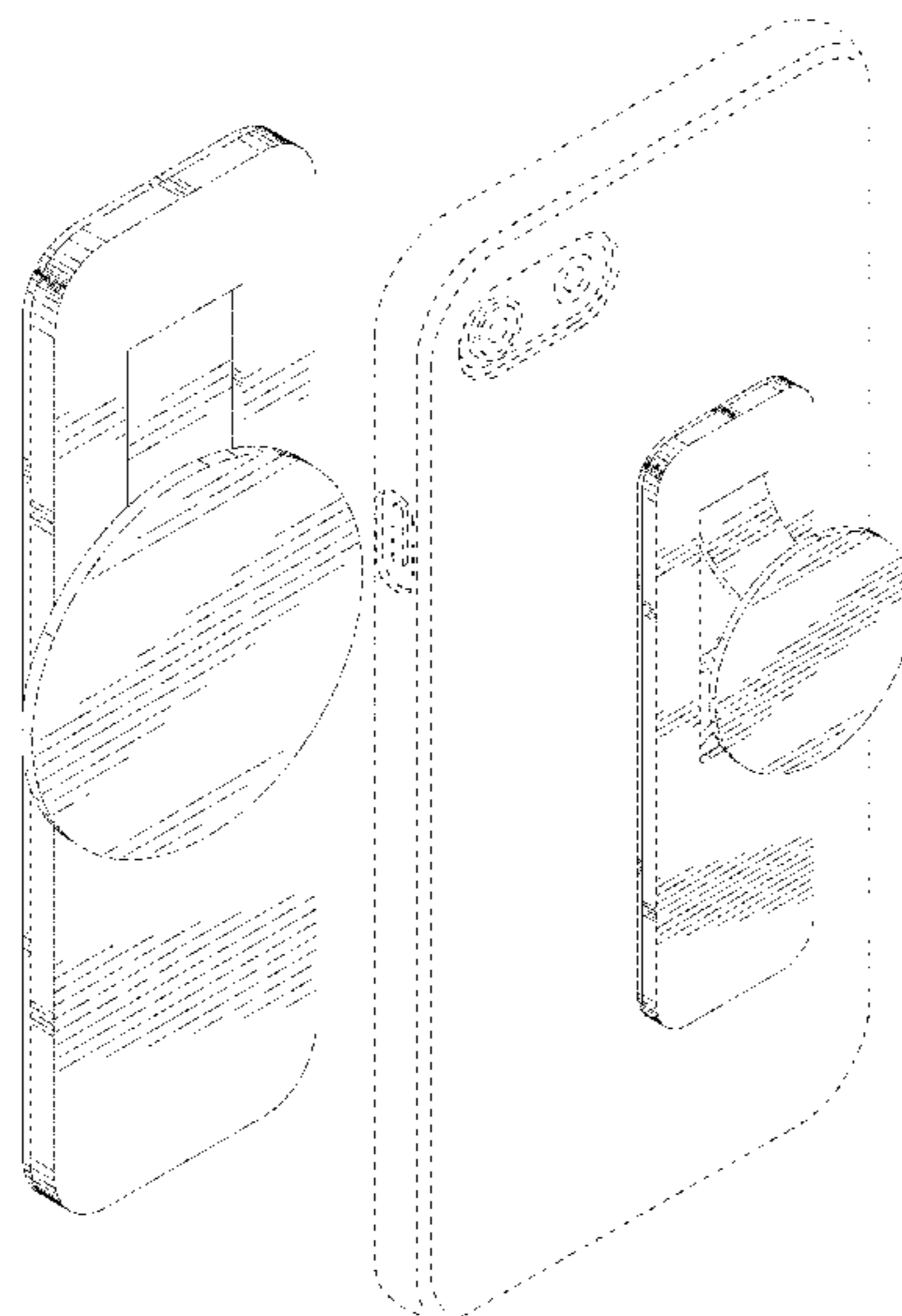
FIG. 8 is a front perspective view thereof, shown with the portable device holder in an extended position;

FIG. 9 is a front perspective view thereof, shown with a human hand disclosed in broken lines to illustrate an environment; and,

FIG. 10 is a top plan view thereof, shown with a substrate disclosed in broken lines to illustrate an environment.

The broken lines showing a portable device, a human hand and a substrate in FIGS. 7-10 represent environmental structure and form no part of the claimed design.

**1 Claim, 10 Drawing Sheets**



(58) **Field of Classification Search**

CPC .... 17/561; G03B 17/563; H04M 1/02; H04M  
1/04; H04M 1/11; H04M 1/15; H04M  
1/026; H04M 1/0266; H04M 1/0281;  
H04M 1/0202; H04M 1/6041; H04B  
1/3877; H04B 1/3888; H04B 1/385;  
H01F 7/0252; H05K 5/0204; H04R  
1/1033; E05D 3/02

See application file for complete search history.

(56) **References Cited**

U.S. PATENT DOCUMENTS

D847,805	S *	5/2019	Lederer	.....	D14/250
D879,109	S *	3/2020	Lederer	.....	D14/447
D883,273	S *	5/2020	Chen	.....	D14/253
10,724,280	B1 *	7/2020	Srour	.....	E05D 3/02
D894,889	S *	9/2020	Feller	.....	D14/251
10,774,871	B1 *	9/2020	Srour	.....	F16C 11/045
2017/0195000	A1 *	7/2017	Srour	.....	H04B 1/3888
2019/0055062	A1 *	2/2019	Winn	.....	H04B 1/3888
2019/0208871	A1 *	7/2019	Barnett	.....	A45F 5/10
2019/0211966	A1 *	7/2019	Nahum	.....	F16M 11/38
2020/0063915	A1 *	2/2020	Lederer	.....	F16M 11/2007

\* cited by examiner

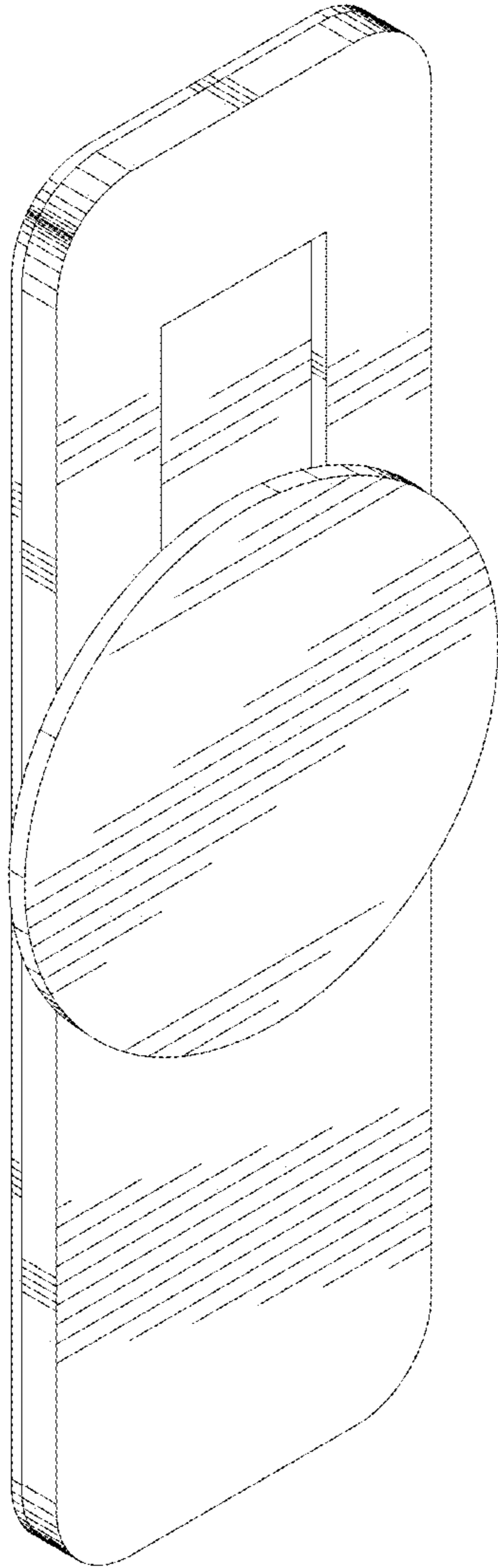


FIG. 1

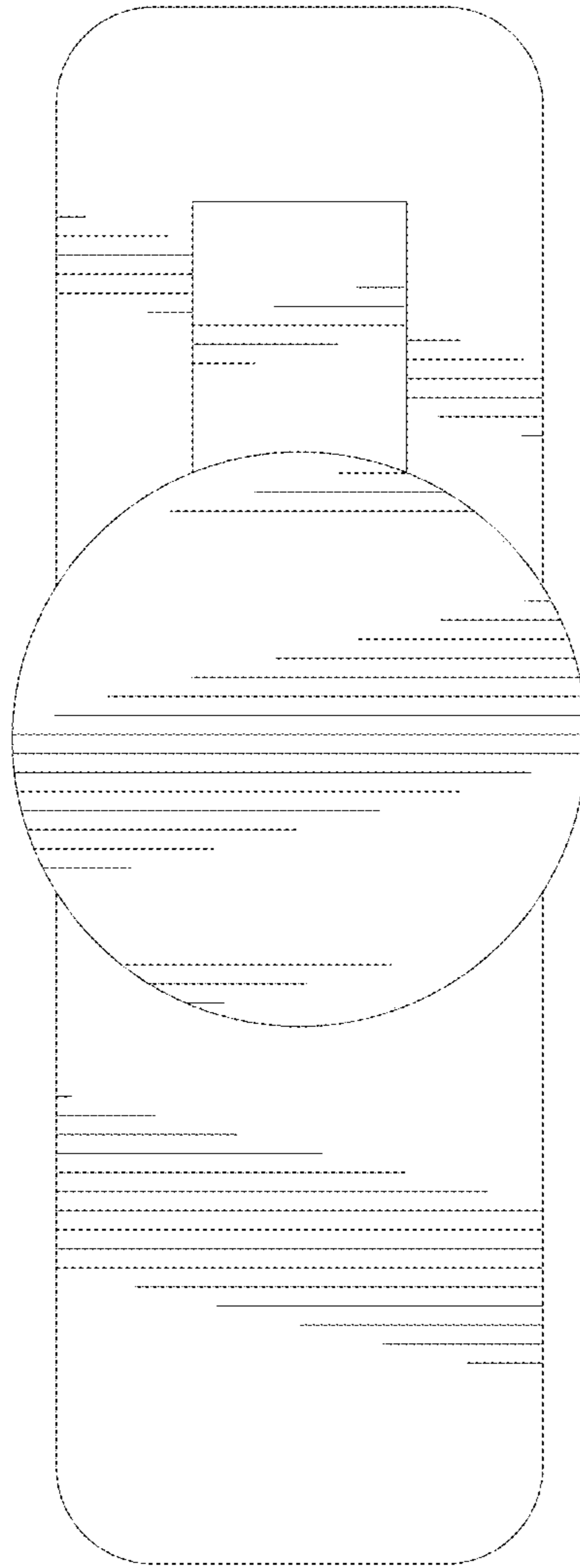


FIG. 2

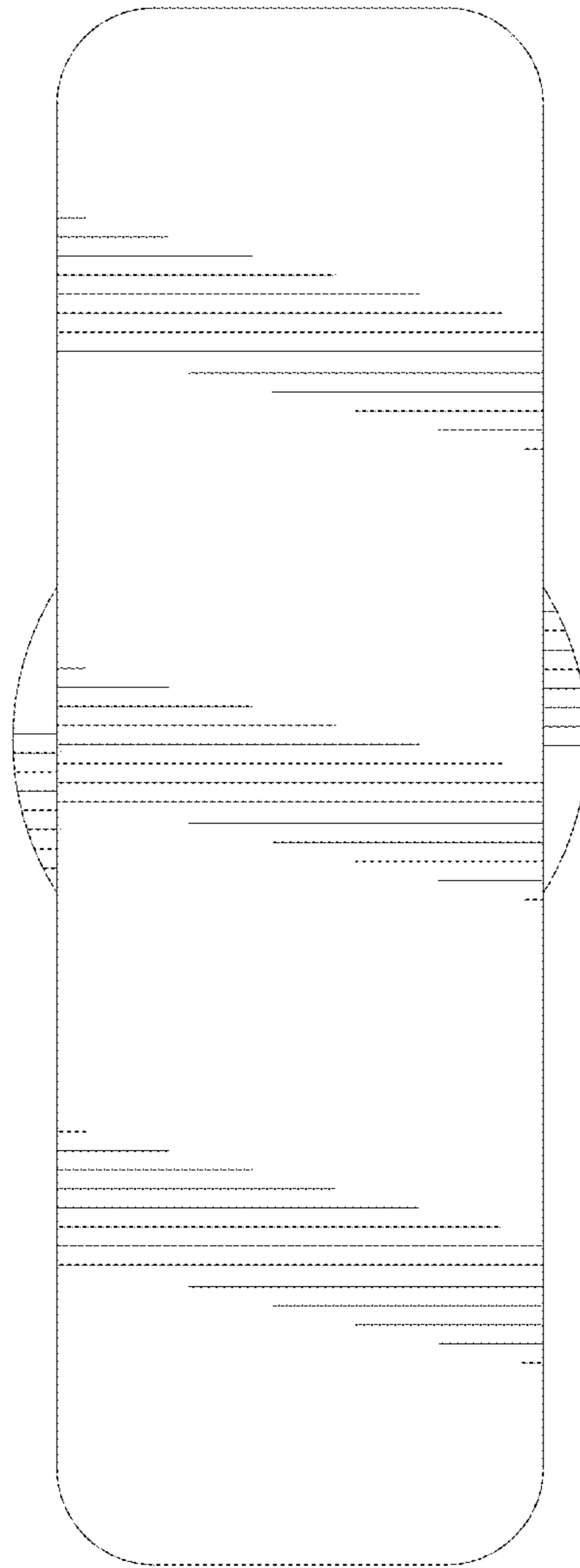


FIG. 3

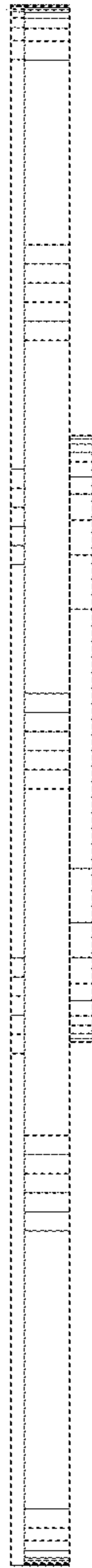


FIG. 4

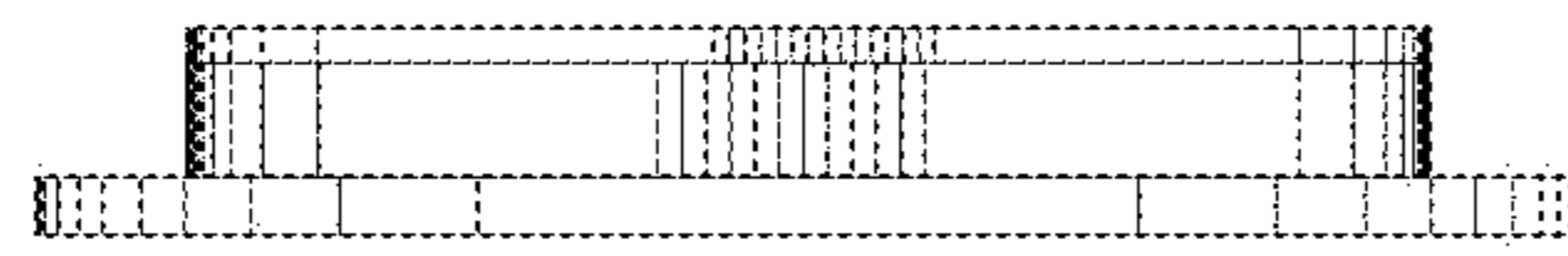


FIG. 5

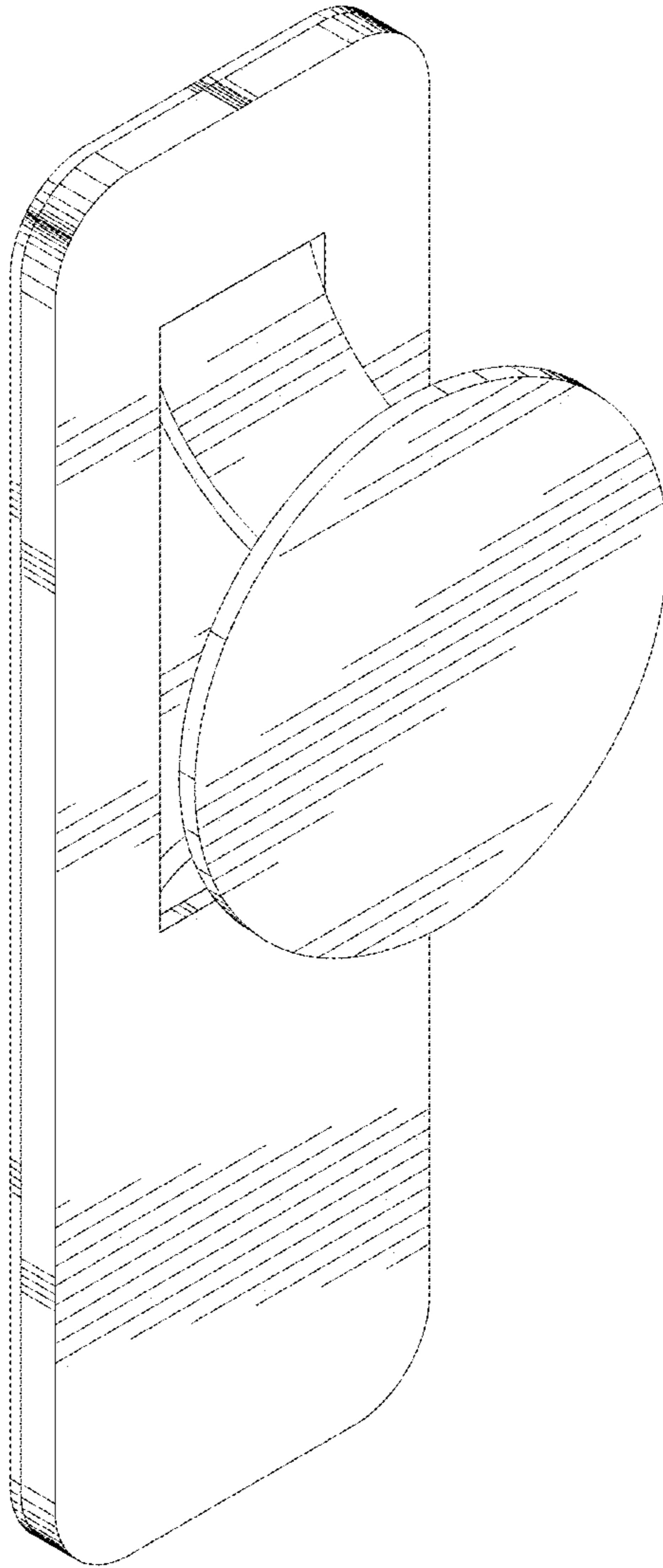


FIG. 6



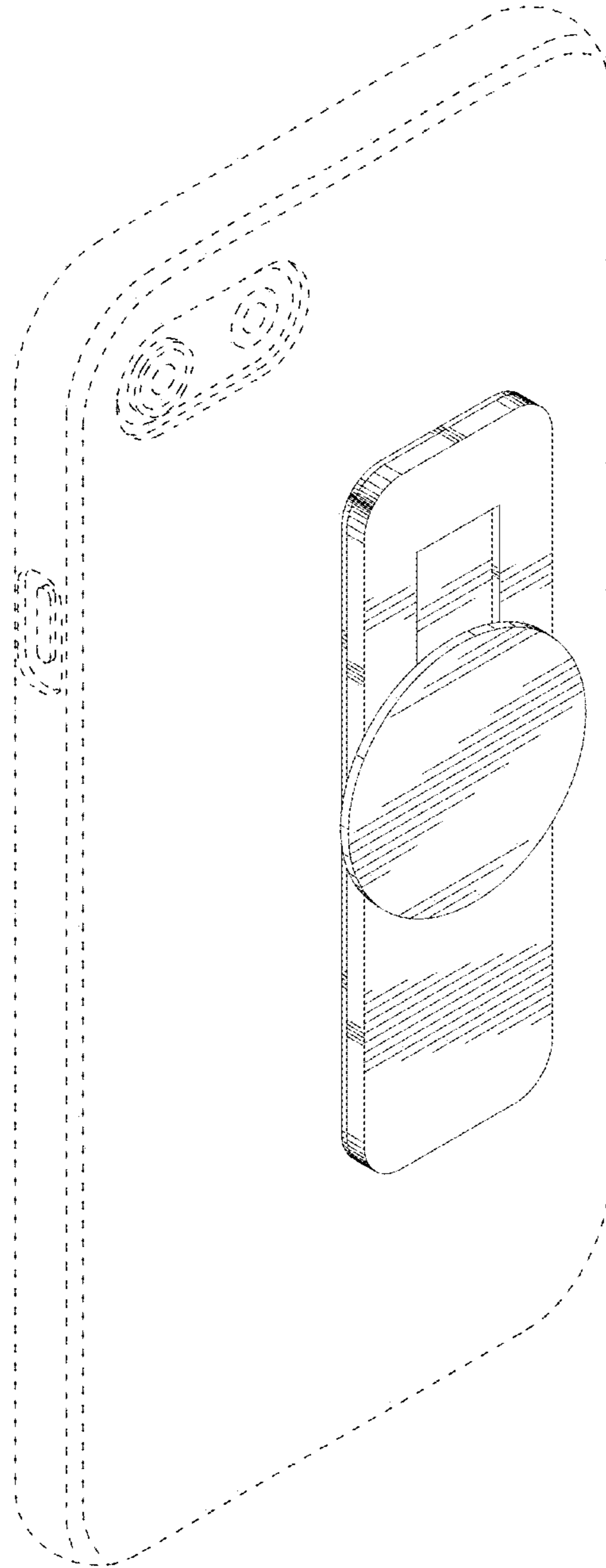


FIG. 7

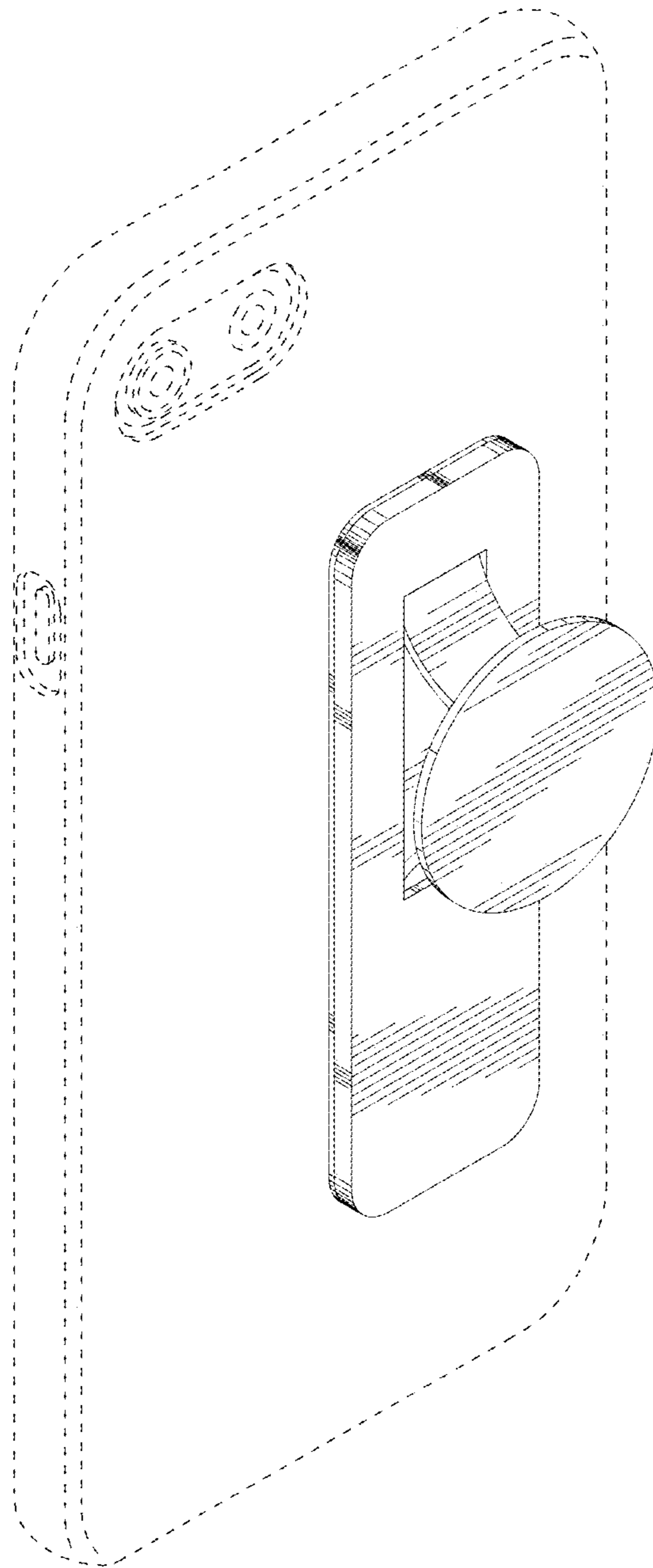


FIG. 8

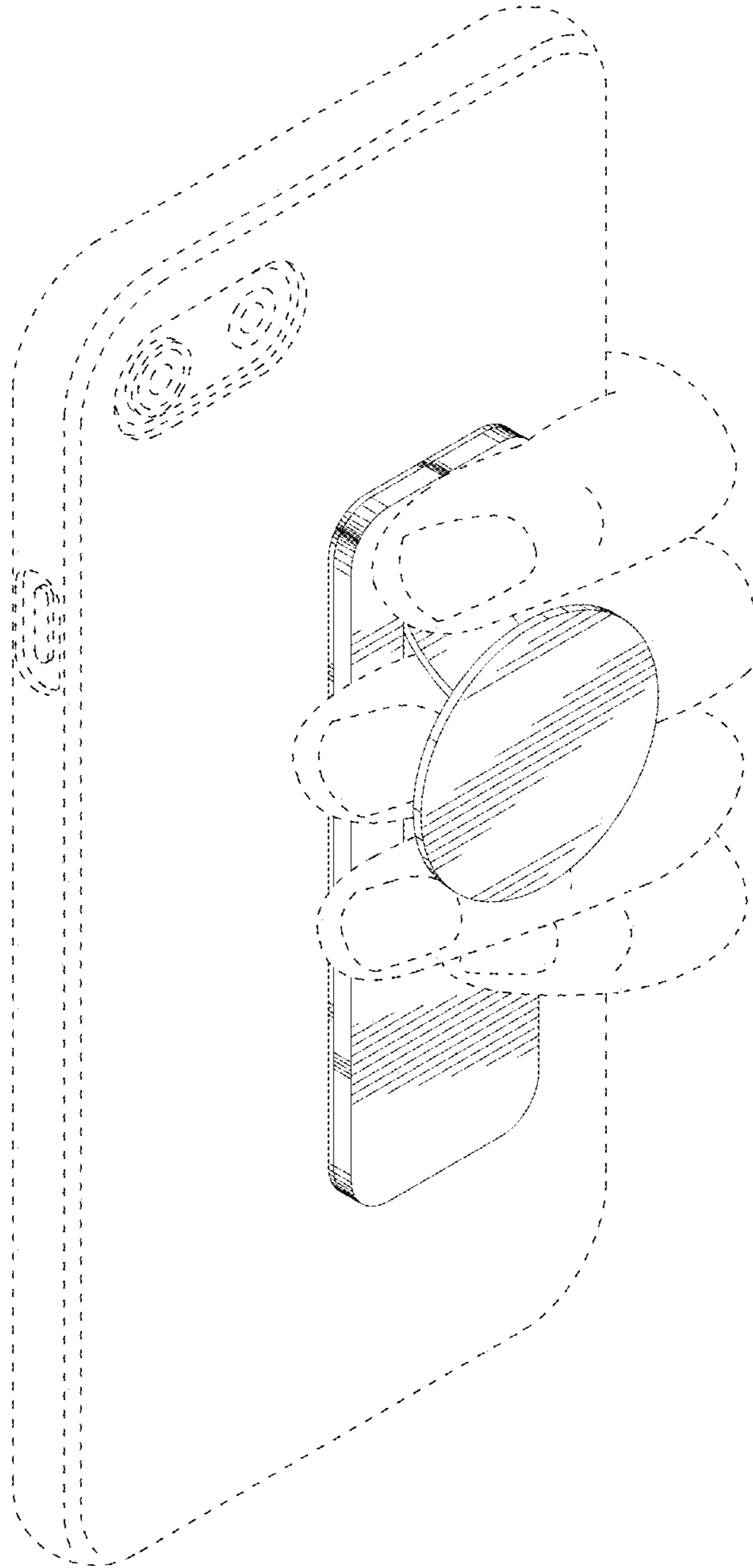


FIG. 9

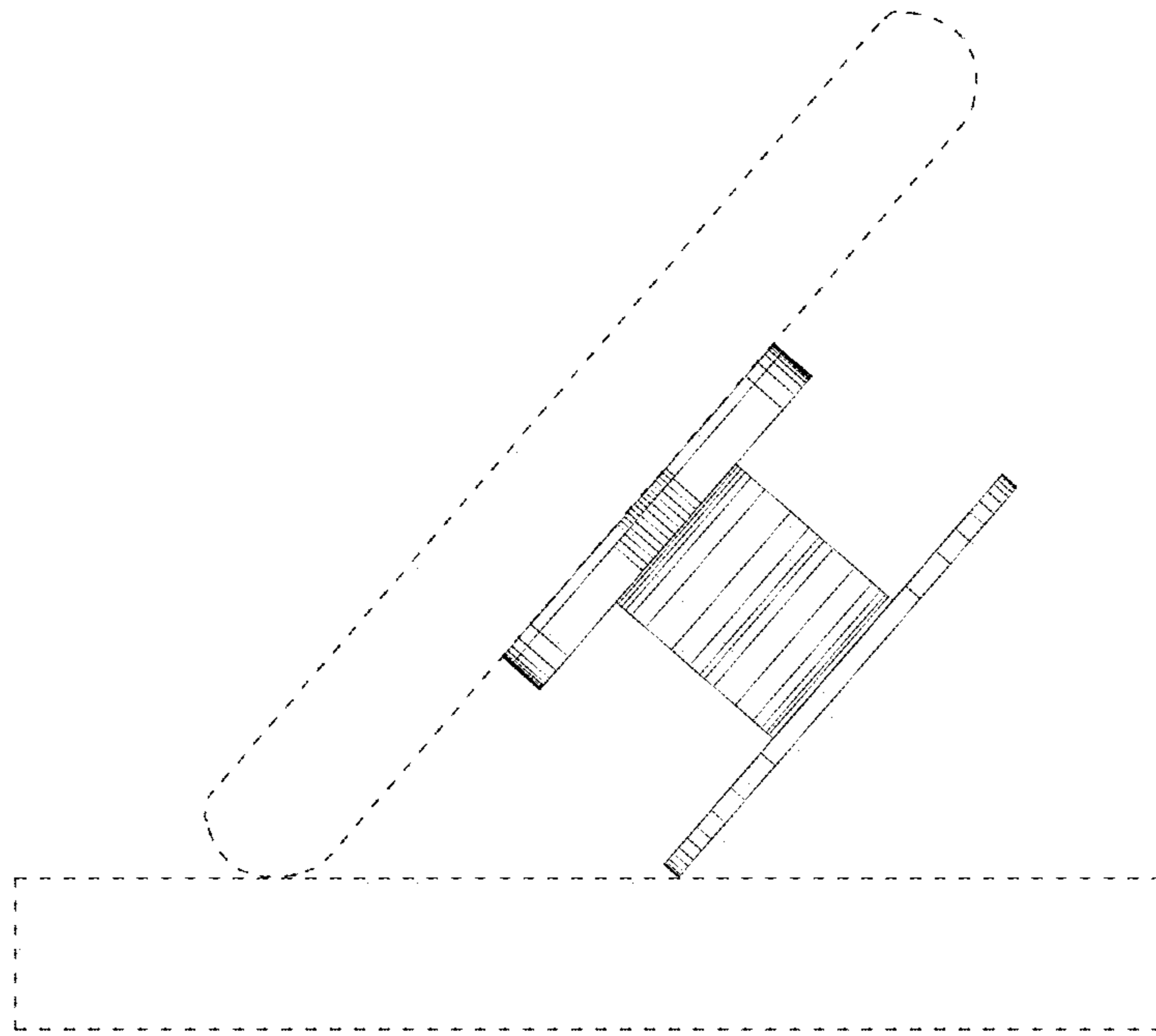


FIG. 10