



US00D928763S

(12) **United States Design Patent** (10) **Patent No.:** **US D928,763 S**  
**Ma** (45) **Date of Patent:** **\*\* Aug. 24, 2021**

(54) **MOBILE PHONE PROTECTION CASE**

(71) Applicant: **Xingzao Ma**, Shantou (CN)

(72) Inventor: **Xingzao Ma**, Shantou (CN)

(\*\*) Term: **15 Years**

(21) Appl. No.: **29/663,919**

(22) Filed: **Sep. 20, 2018**

(51) **LOC (13) Cl.** ..... **14-03**

(52) **U.S. Cl.**  
USPC ..... **D14/250**

(58) **Field of Classification Search**  
USPC ..... D3/201, 212, 218, 226, 227, 247, 249,  
D3/250, 269, 303; D13/103, 107, 108,  
D13/119; D14/128–130, 137, 138 R,  
D14/138 AA, 138 C, 138 G, 172, 192,  
D14/203.3–203.7, 217, 238.1, 247, 248,  
D14/250–253, 345, 420, 426, 427, 434,  
D14/440, 447, 496; D21/332  
CPC ..... H04B 1/3888; H04M 1/0283;  
H04M 1/0202; A45C 1/06; A45C  
2011/002; A45C 11/00; A45F 2005/028;  
A45F 2200/0525

See application file for complete search history.

(56) **References Cited**

**U.S. PATENT DOCUMENTS**

- D712,892 S \* 9/2014 Hong ..... D14/250
- D721,360 S \* 1/2015 Laffon de Mazieres .... D14/250
- D754,652 S \* 4/2016 Roberts ..... D14/250
- D756,344 S \* 5/2016 Roberts ..... D14/250
- D773,445 S \* 12/2016 Witter ..... D14/250
- 9,774,713 B2 \* 9/2017 Guerdrum ..... A45F 5/021
- D800,105 S \* 10/2017 Roberts ..... D14/250

- D808,377 S \* 1/2018 Witter ..... D14/250
- D809,496 S \* 2/2018 Kim ..... D14/250
- D814,453 S \* 4/2018 Chiang ..... D14/250
- D819,622 S \* 6/2018 Wright ..... D14/250
- D820,246 S \* 6/2018 Li ..... D14/250
- D820,822 S \* 6/2018 Wright ..... D14/250
- D823,295 S \* 7/2018 Kim ..... D14/250
- D843,995 S \* 3/2019 Skovsted ..... D14/250
- D851,081 S \* 6/2019 Fitzgerald ..... D14/250
- D855,046 S \* 7/2019 Wei ..... D14/250
- D860,980 S \* 9/2019 Kim ..... D14/250
- D861,667 S \* 10/2019 Mao ..... D14/250
- D878,345 S \* 3/2020 Kim ..... D14/250
- D905,672 S \* 12/2020 Fitzgerald ..... D14/250
- 2015/0119118 A1 \* 4/2015 Ashley ..... H04M 1/04  
455/575.8

**FOREIGN PATENT DOCUMENTS**

CN 201830238322 \* 5/2018

\* cited by examiner

*Primary Examiner* — L. A. Grabenstetter

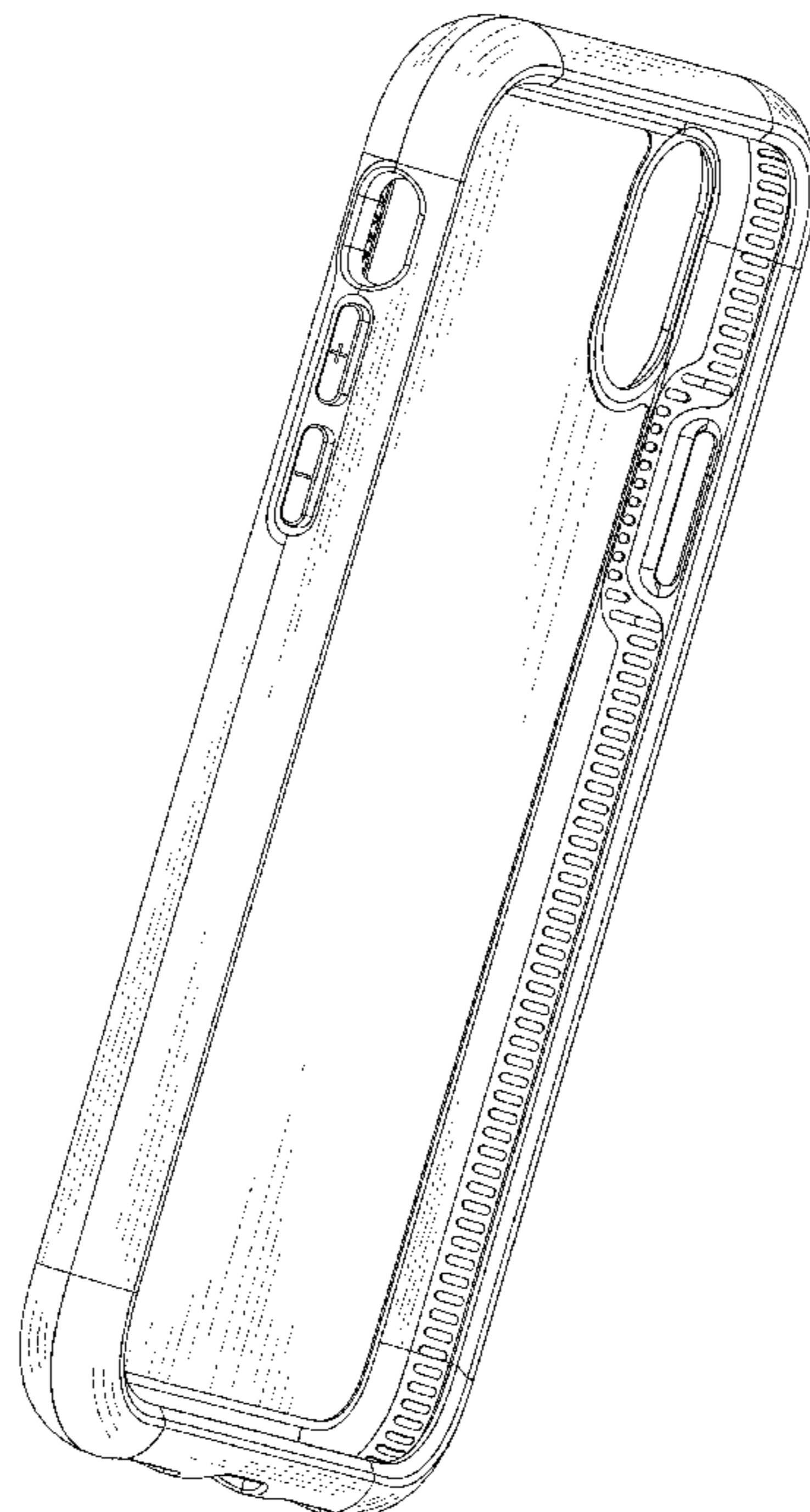
(57) **CLAIM**

The ornamental design for a mobile phone protection case, as shown and described.

**DESCRIPTION**

FIG. 1 is a front elevation view of a mobile phone protection case showing my new design;  
FIG. 2 is a rear elevation view thereof;  
FIG. 3 is a right side elevation view thereof;  
FIG. 4 is a left side elevation view thereof;  
FIG. 5 is a top plan view thereof;  
FIG. 6 is a bottom plan view thereof; and,  
FIG. 7 is a left, front perspective view thereof.

**1 Claim, 7 Drawing Sheets**



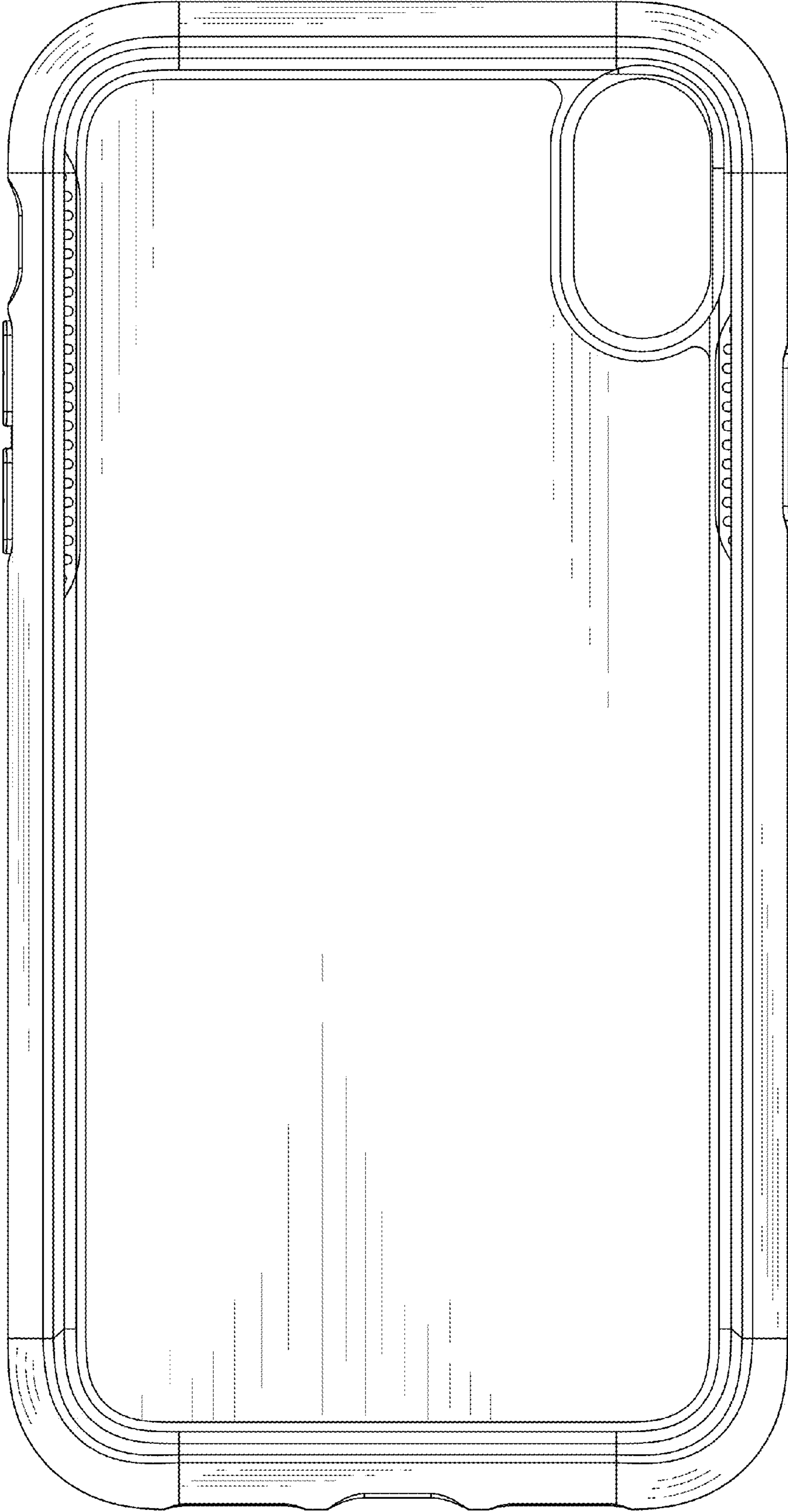


FIG.1

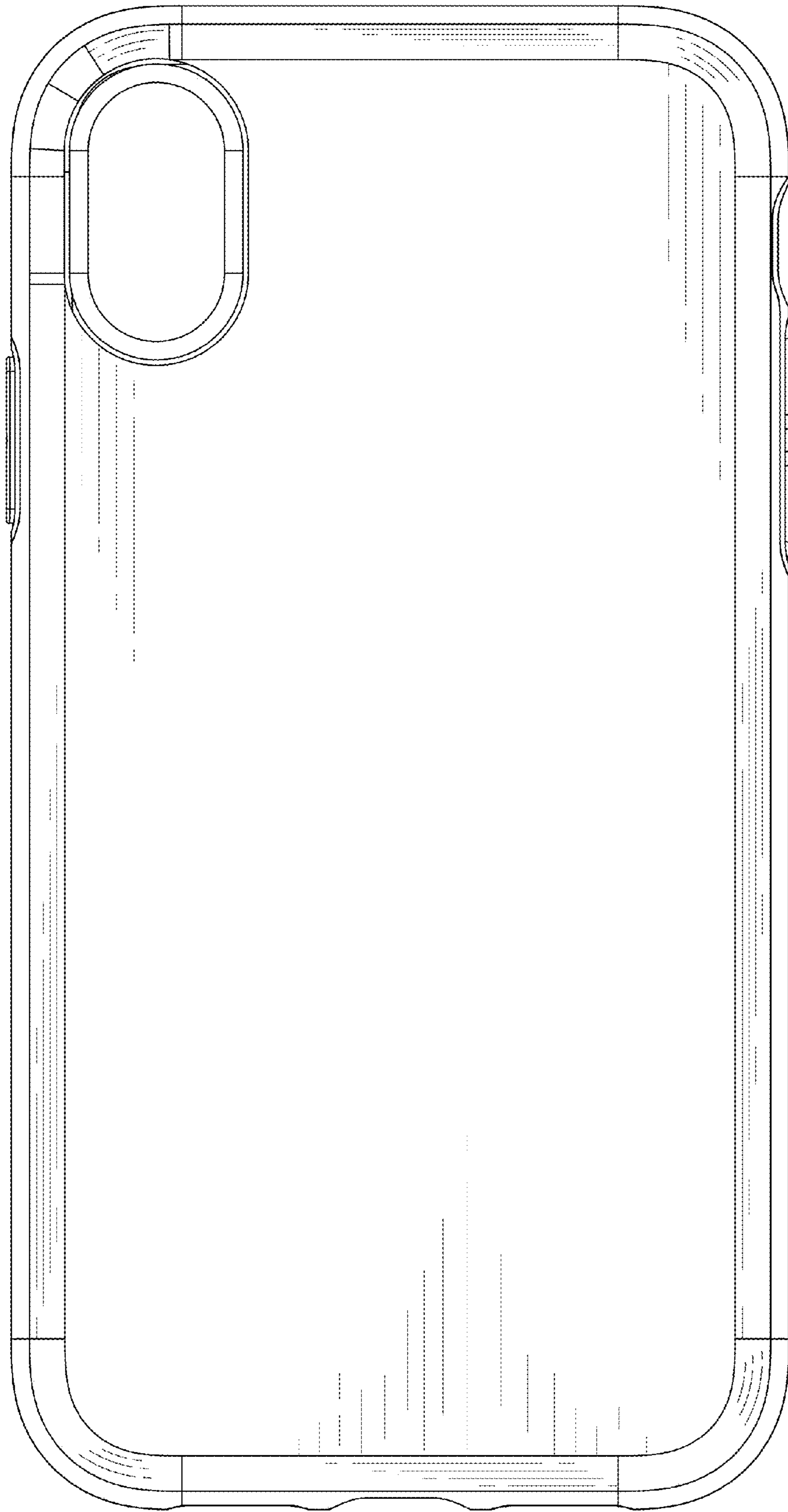


FIG.2

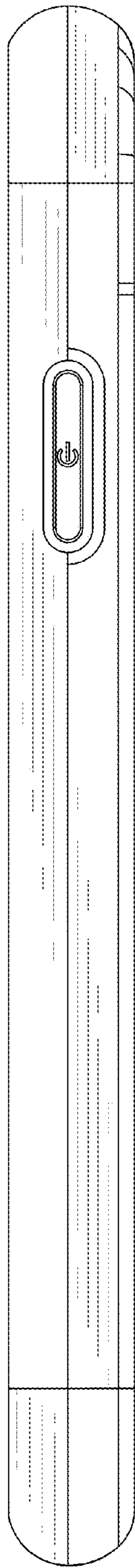


FIG.3

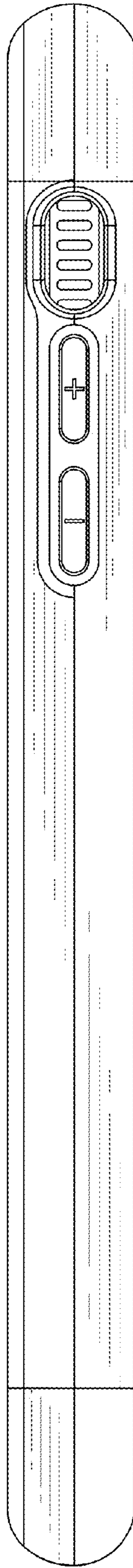


FIG.4

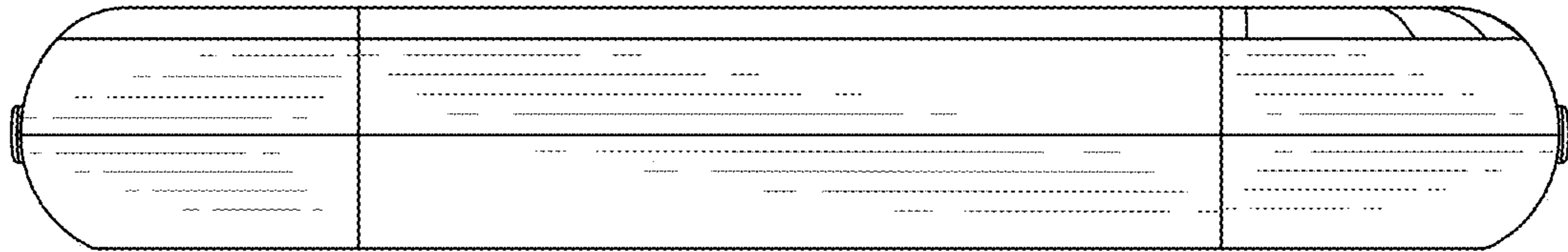


FIG.5



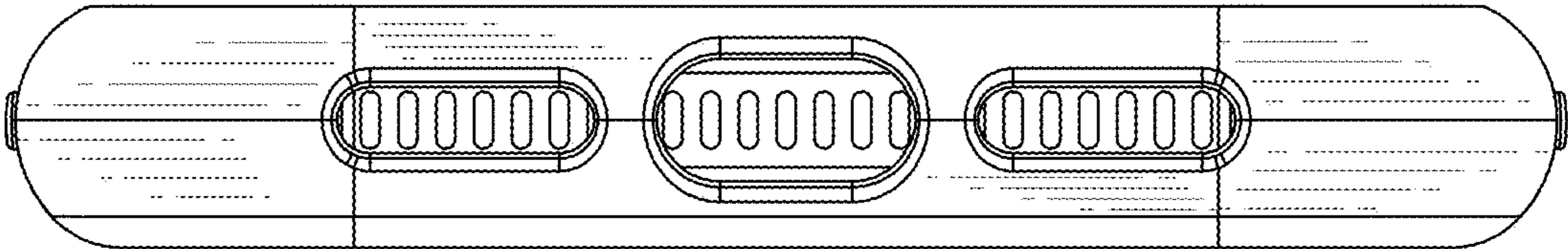


FIG.6

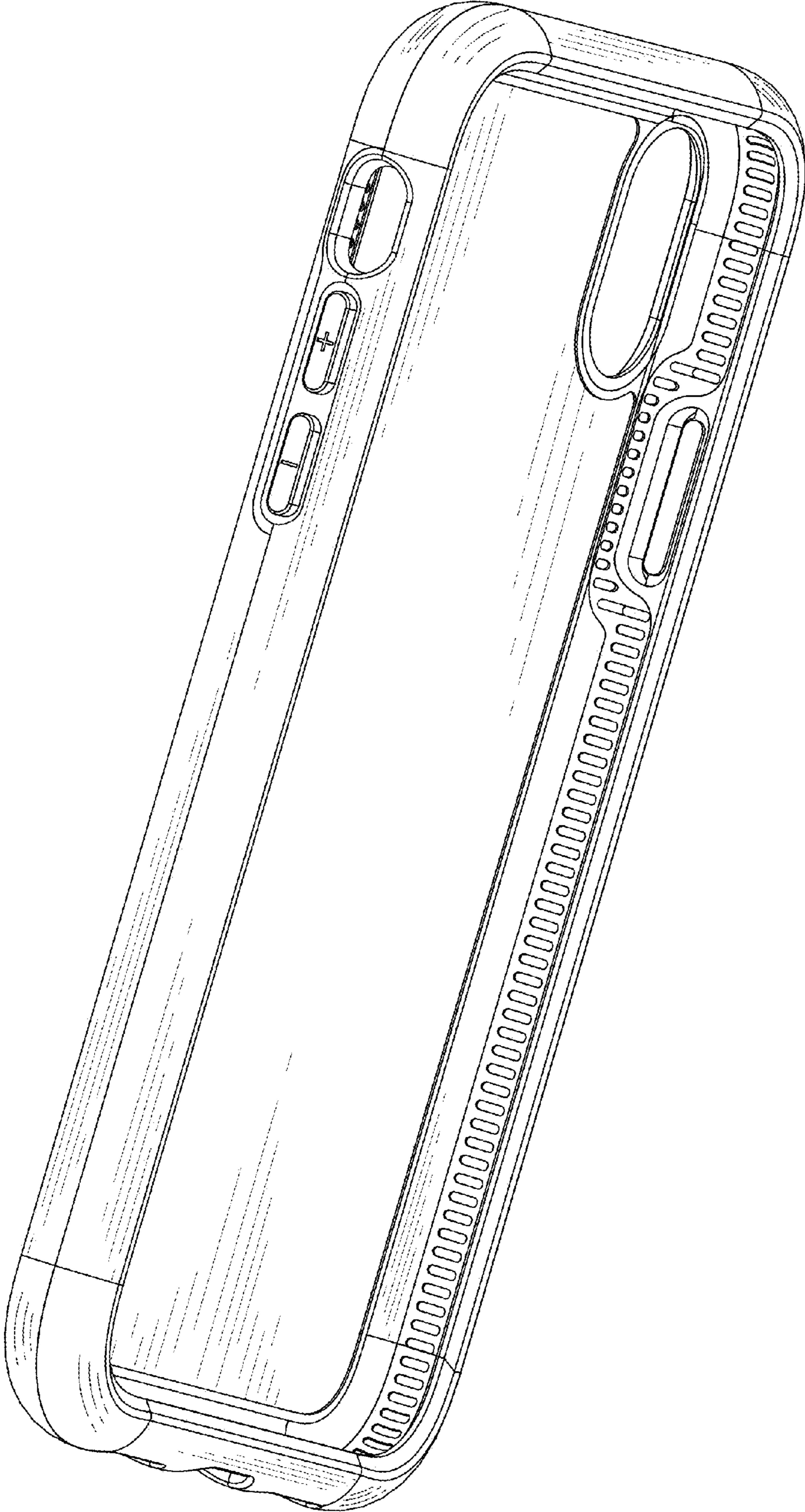


FIG.7