

US00D928759S

(12) **United States Design Patent** (10) **Patent No.:** **US D928,759 S**
Siminoff et al. (45) **Date of Patent:** **** Aug. 24, 2021**

(54) **RANGE EXTENDER DEVICE**
(71) Applicant: **Amazon Technologies, Inc.**, Seattle, WA (US)
(72) Inventors: **James Siminoff**, Pacific Palisades, CA (US); **Mark D. Siminoff**, Mountain View, CA (US); **Wen-Yo Lu**, Pasadena, CA (US); **Christopher Loew**, Palo Alto, CA (US); **Jia Li**, Nutley, NJ (US); **Wei-Chung Wang**, New Taipei (TW); **Gregory Berlin**, Spring City, PA (US); **Andrew Louis Russell**, Havertown, PA (US)

(73) Assignee: **Amazon Technologies, Inc.**, Seattle, WA (US)

(**) Term: **15 Years**

(21) Appl. No.: **29/711,507**

(22) Filed: **Oct. 31, 2019**

(51) **LOC (13) Cl.** **14-03**

(52) **U.S. Cl.**
USPC **D14/242**

(58) **Field of Classification Search**
USPC D14/240, 242, 357, 358, 140-140.9, 155, D14/125, 137, 139, 243, 348, 349, 351, D14/354, 355
CPC H04L 12/00; H03K 17/00; H04W 88/00; H04W 88/005; H04W 88/02; H04W 88/08; H04W 88/085; H04W 88/10; H04W 88/12; H04W 88/14; H04B 1/38
See application file for complete search history.

(56) **References Cited**

U.S. PATENT DOCUMENTS

D513,617 S * 1/2006 Tierney D14/496
D565,036 S * 3/2008 Ju D14/240

D575,775 S * 8/2008 Sekine D13/137.3
D626,951 S * 11/2010 Ding D14/240
D630,198 S * 1/2011 Wilkens D14/240
D639,789 S * 6/2011 Kim D14/242
D653,662 S * 2/2012 Park D14/358
D654,917 S * 2/2012 Chaturvedi D14/358
D661,698 S * 6/2012 Chaturvedi D14/358
D743,962 S * 11/2015 Ikeda D14/348
D782,476 S * 3/2017 Yamazaki D14/358
D812,590 S * 3/2018 Modestine D14/214
D813,212 S * 3/2018 Nangeroni D14/240
D839,225 S * 1/2019 Hammarstedt D14/125
10,334,701 B1 * 6/2019 Siminoff H05B 47/115
D853,355 S * 7/2019 Modestine D14/214
D857,012 S * 8/2019 Chen D14/358
D860,176 S * 9/2019 Siminoff D14/240
10,412,811 B1 * 9/2019 Siminoff G08B 15/00

(Continued)

FOREIGN PATENT DOCUMENTS

CN 306196802 * 11/2020

Primary Examiner — Bridget L Eland

(74) *Attorney, Agent, or Firm* — Lee & Hayes, P.C.

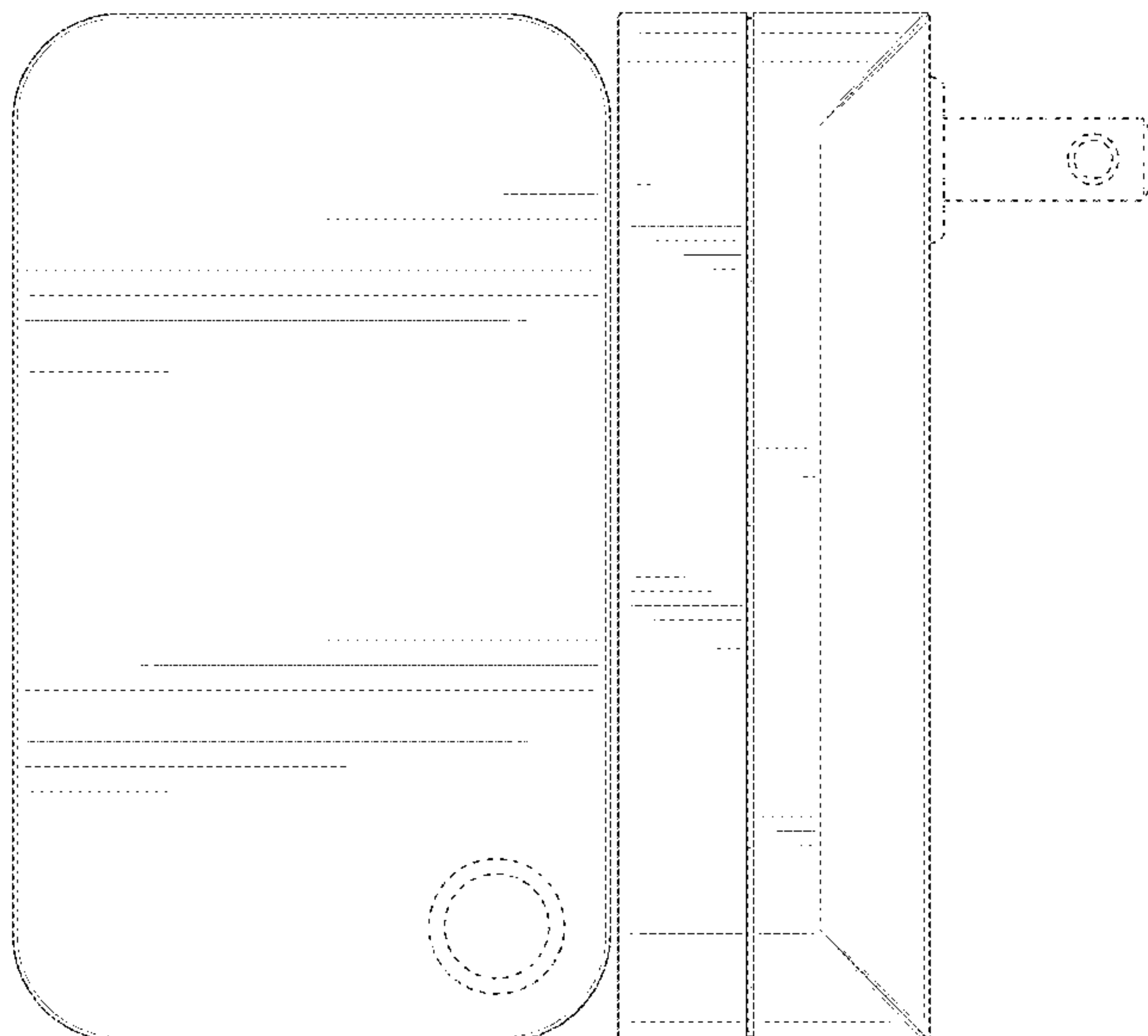
(57) **CLAIM**

The ornamental design for a range extender device, as shown and described.

DESCRIPTION

FIG. 1 is a front, top, right-side perspective view of a range extender device;
FIG. 2 is a back, bottom, left-side perspective view thereof;
FIG. 3 is a front elevation view thereof;
FIG. 4 is a back elevation view thereof;
FIG. 5 is a left-side elevation view thereof;
FIG. 6 is a right-side elevation view thereof;
FIG. 7 is a top plan view thereof; and,
FIG. 8 is a bottom plan view thereof.
The broken lines depict portions of the range extender device that form no part of the claimed design.

1 Claim, 8 Drawing Sheets



(56)

References Cited

U.S. PATENT DOCUMENTS

D864,161 S * 10/2019 Modestine D14/214
D873,820 S * 1/2020 Wei D14/348
D901,471 S * 11/2020 Siminoff D14/240
2016/0366373 A1 * 12/2016 Siminoff G08B 3/10

* cited by examiner

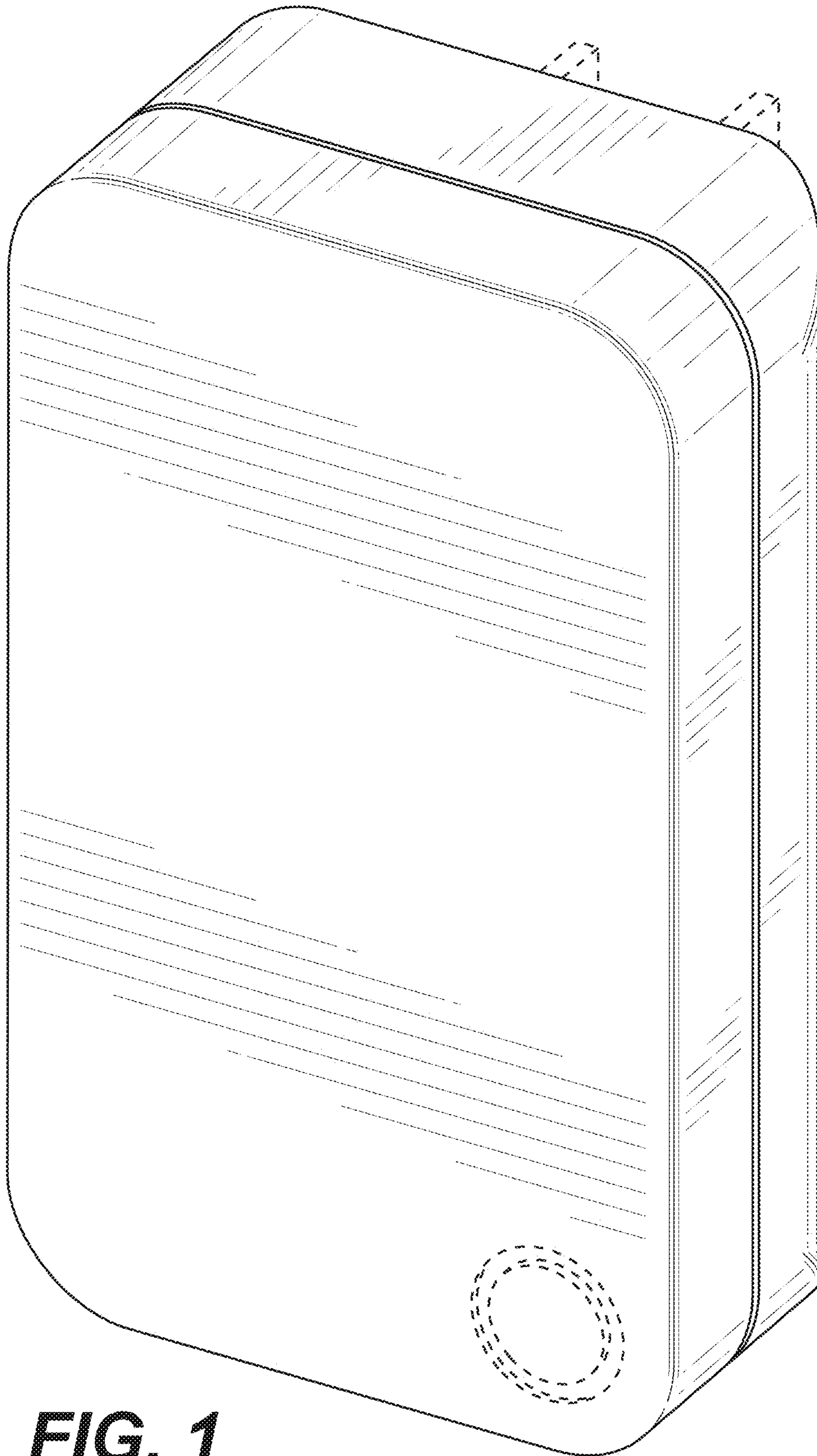


FIG. 1

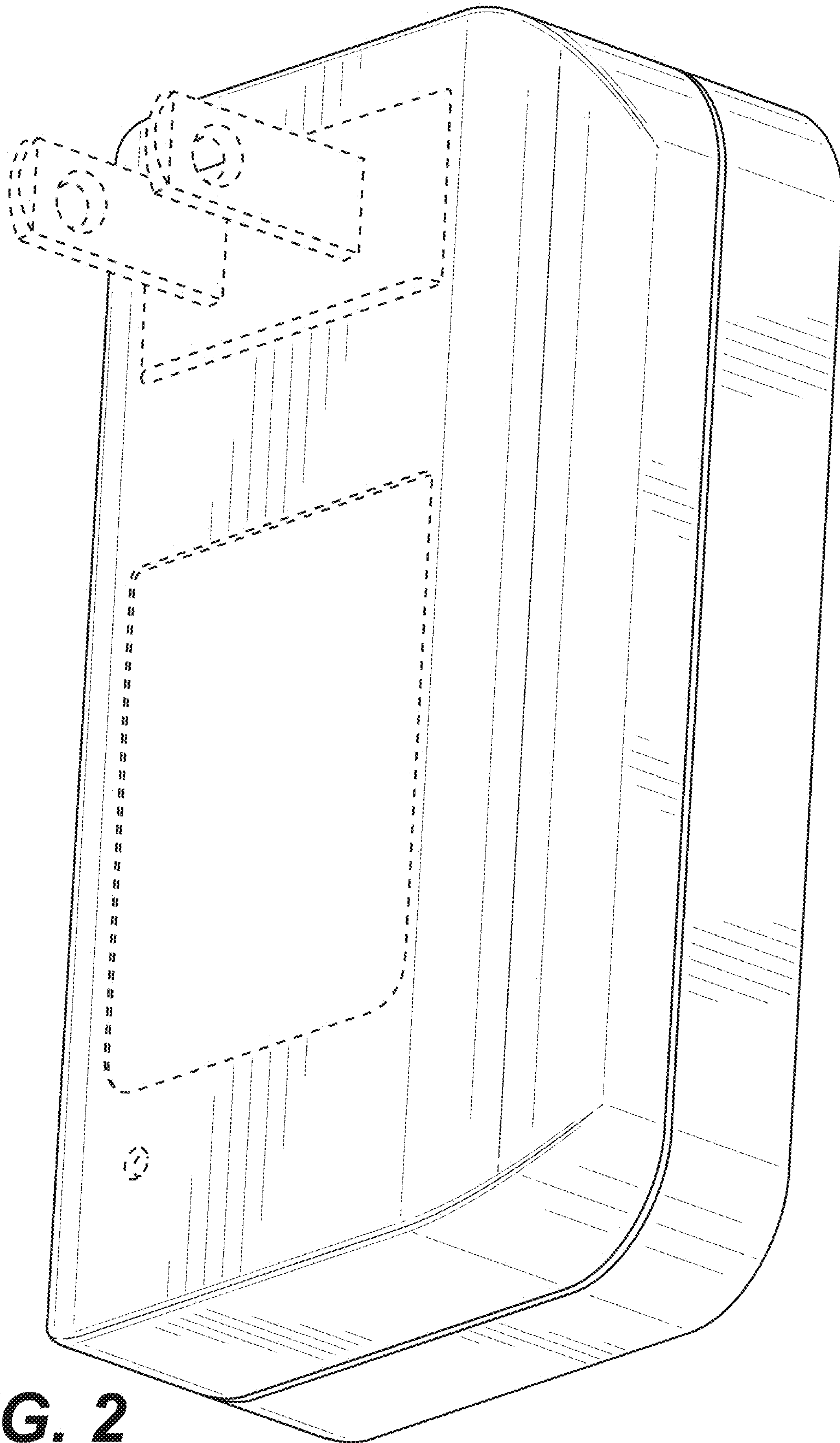


FIG. 2

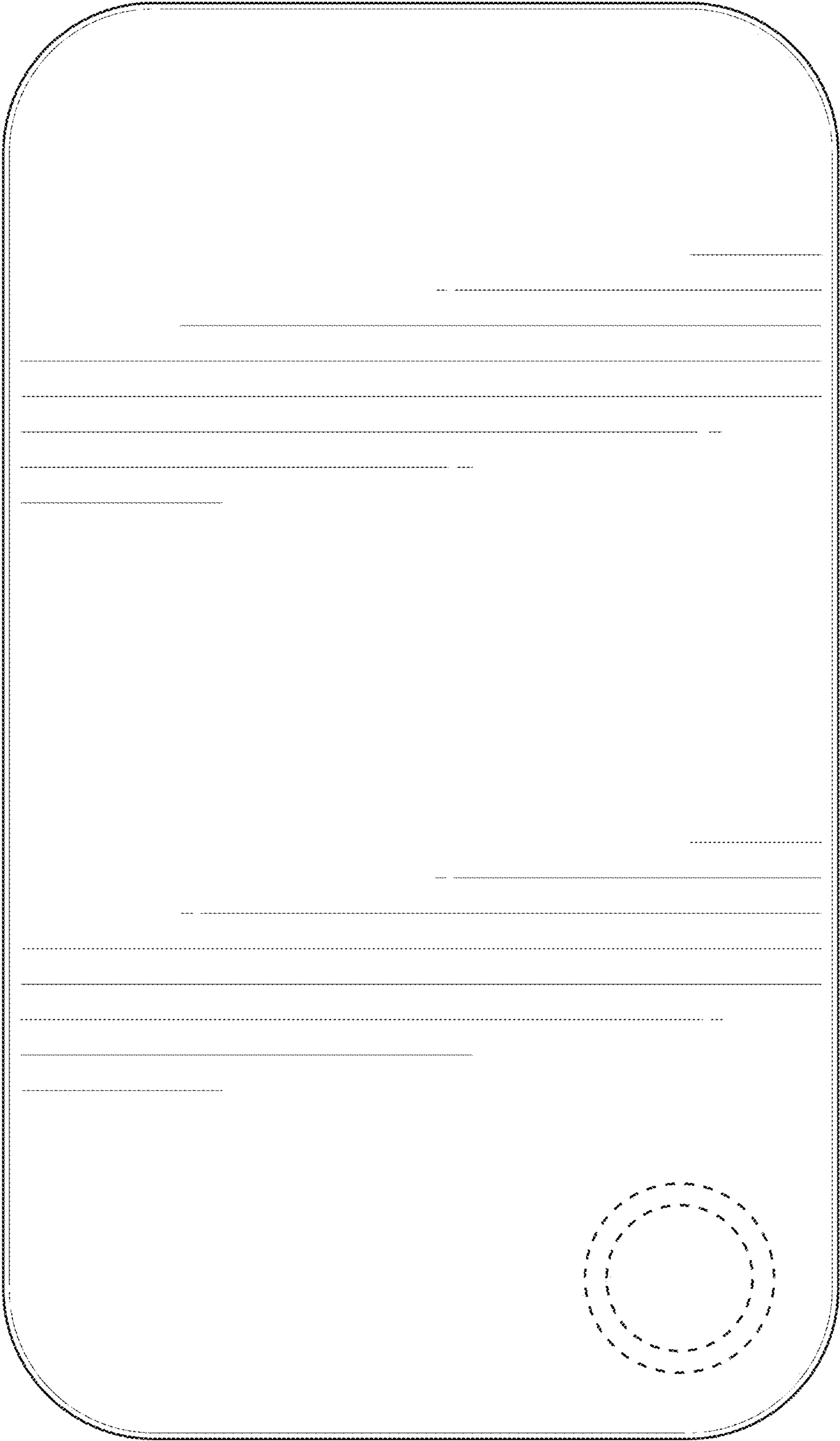


FIG. 3

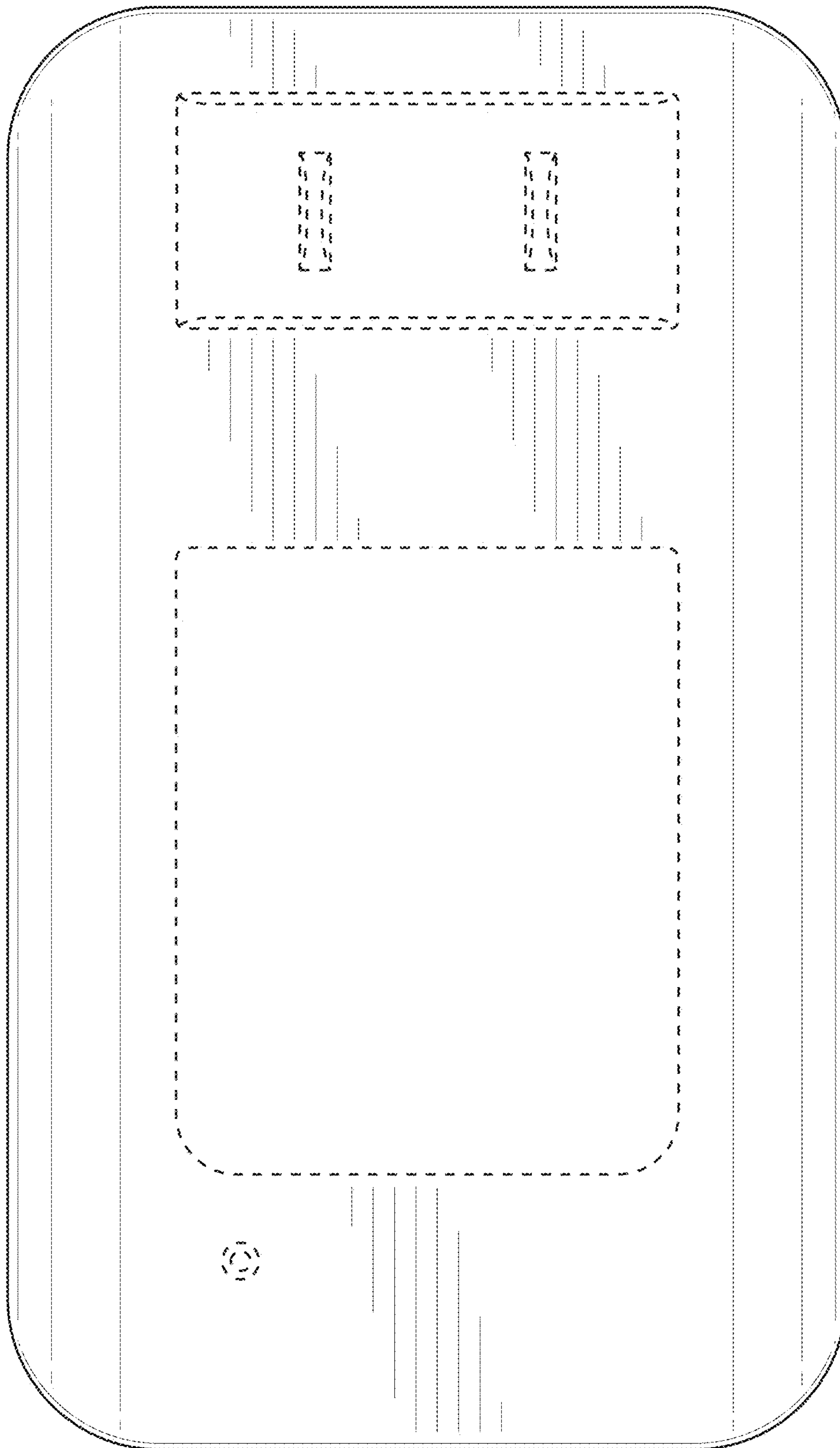


FIG. 4

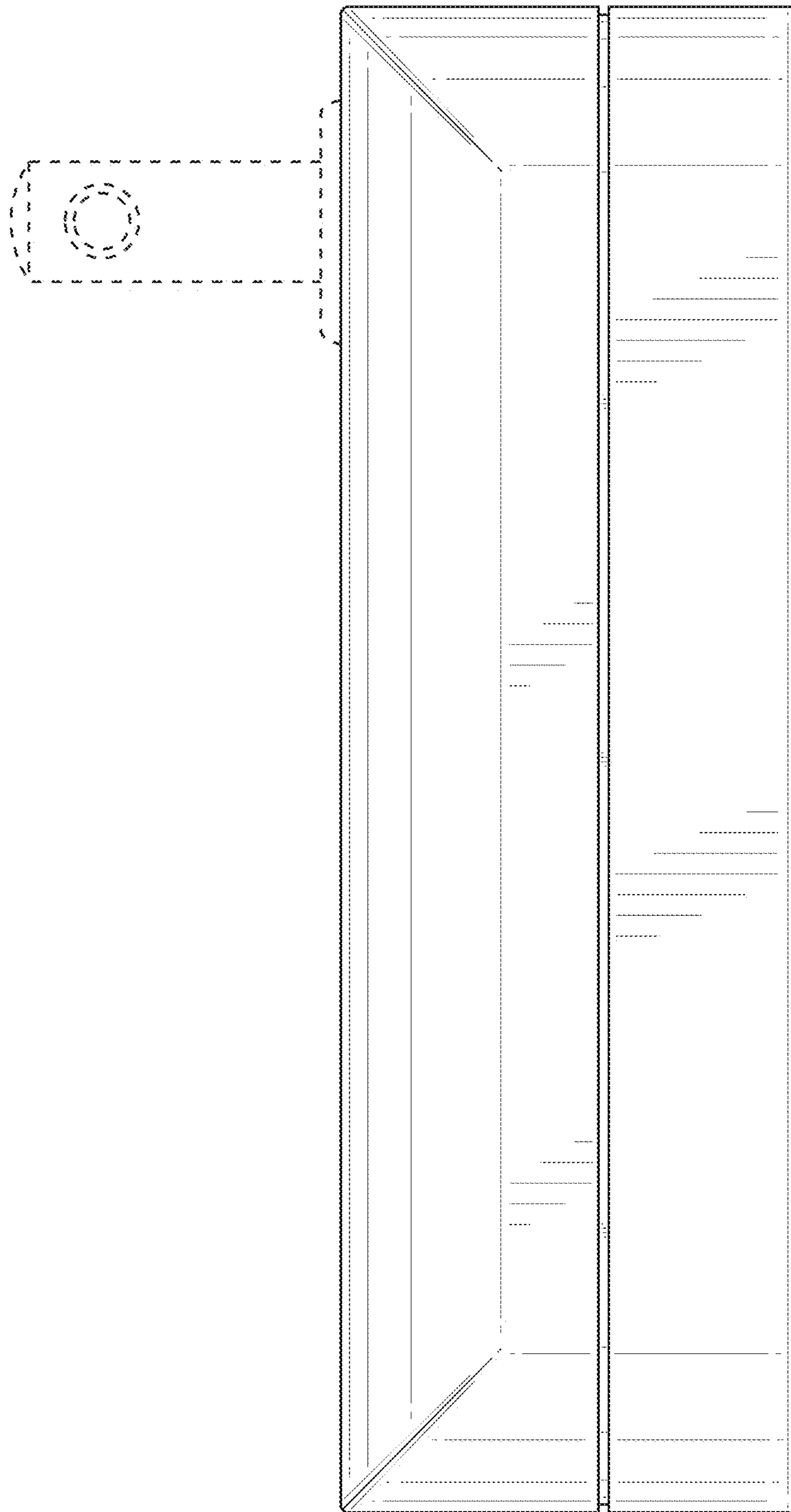


FIG. 5

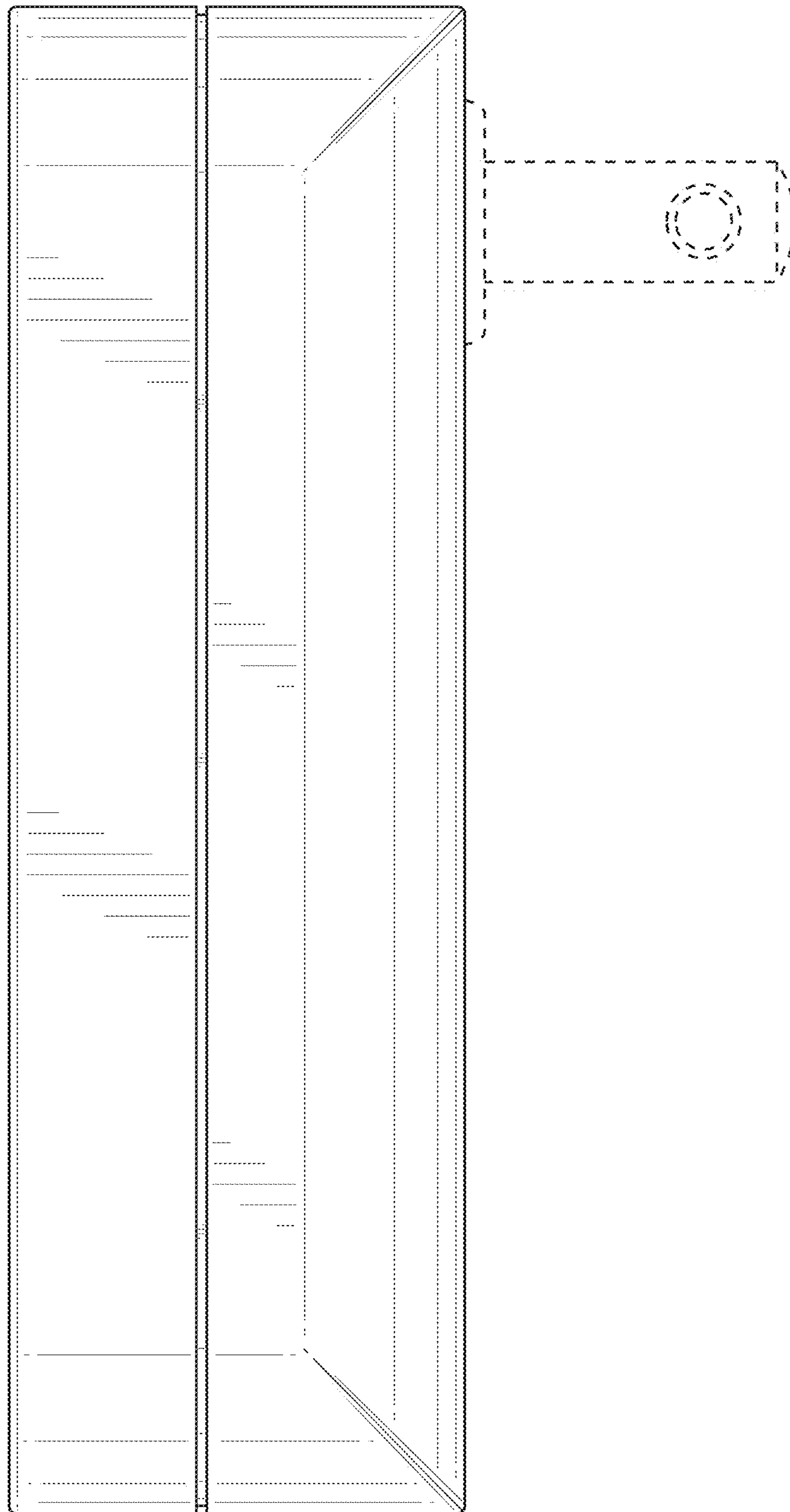


FIG. 6

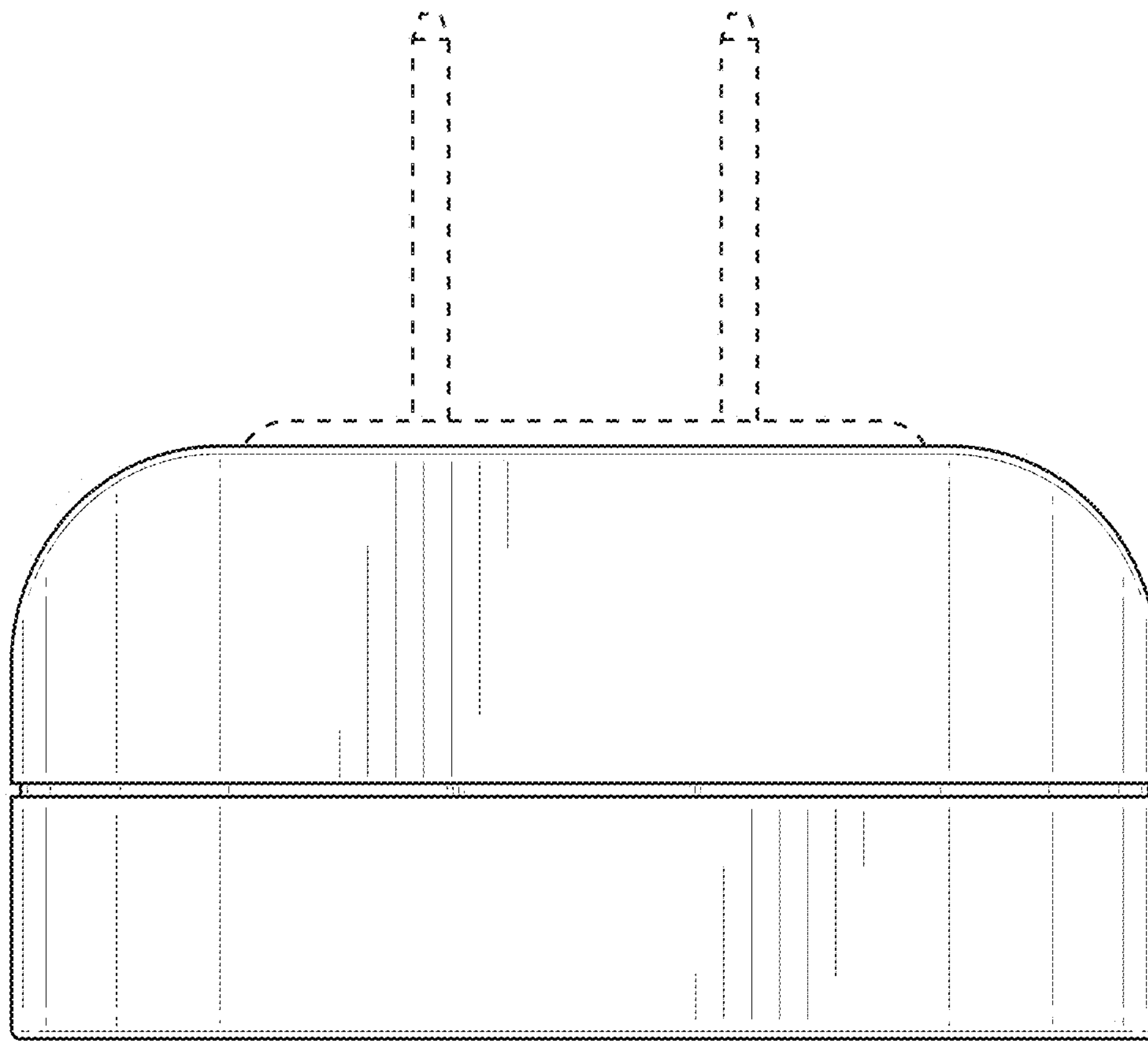


FIG. 7

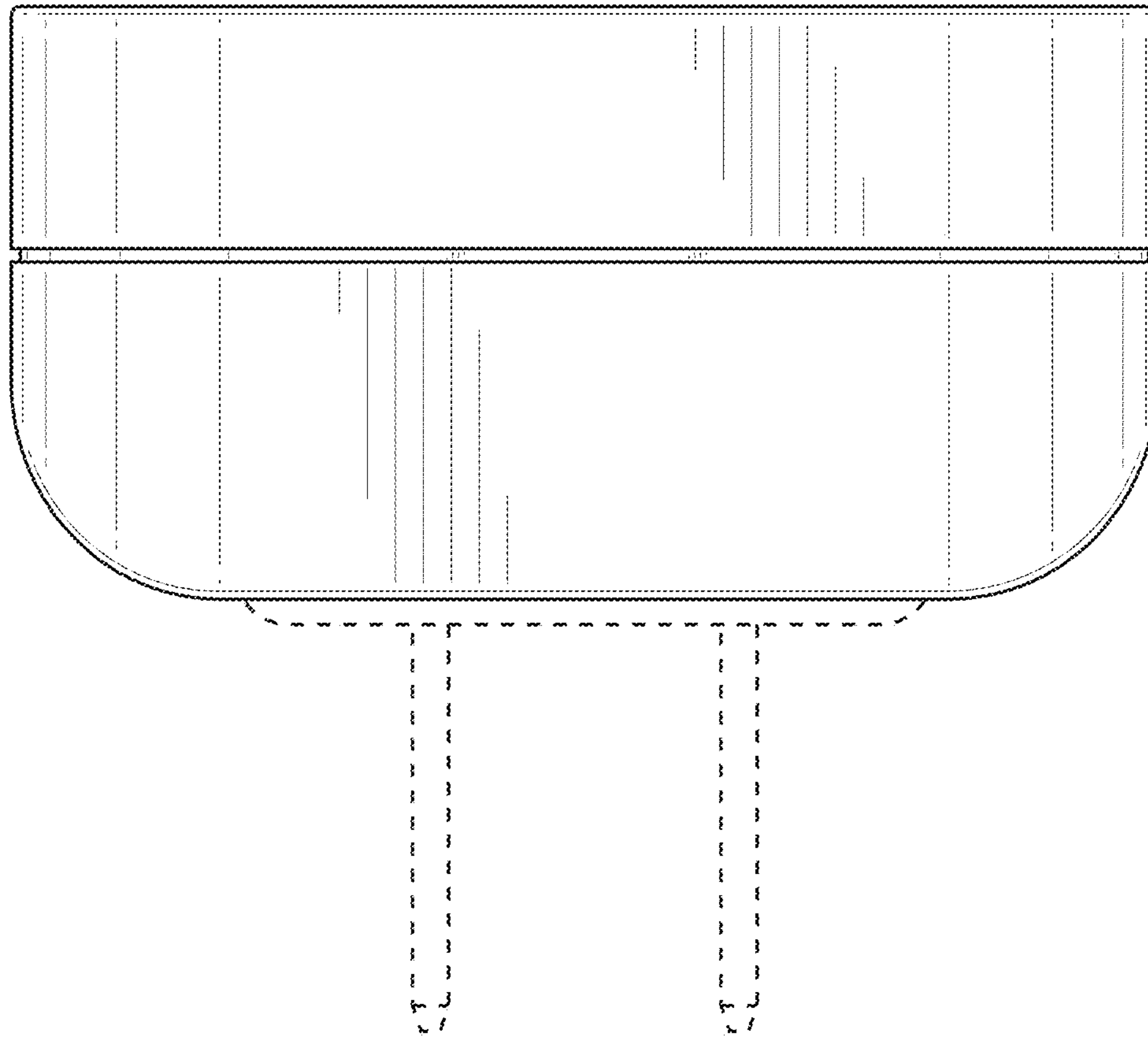


FIG. 8