



US00D928758S

(12) **United States Design Patent** (10) **Patent No.:** **US D928,758 S**
Schubert (45) **Date of Patent:** **** Aug. 24, 2021**

(54) **CONTROL UNIT FOR ROOM AUTOMATION**

(56)

References Cited

(71) Applicant: **Siemens Schweiz AG**, Zürich (CH)

U.S. PATENT DOCUMENTS

(72) Inventor: **Joscha Schubert**, Stuttgart (DE)

D256,016 S *	7/1980	Iwata	D14/155
D269,345 S *	6/1983	Payne, Jr.	D14/242
D300,428 S *	3/1989	Garmon	379/432
D300,624 S *	4/1989	Seymour	D13/123
D331,394 S *	12/1992	Kobayashi	D14/242
D336,302 S *	6/1993	Kwang	D14/140.4
D353,144 S *	12/1994	Brandt	D14/242
D355,196 S *	2/1995	Nakamura	D13/184
D355,658 S *	2/1995	Brandt	D14/242
D357,285 S *	4/1995	Feng	D21/324
D383,139 S *	9/1997	Hill	D14/242
D384,065 S *	9/1997	Bice	D14/149
D393,261 S *	4/1998	Muir	D14/146
D400,180 S *	10/1998	Shimizu	D13/162.1
D414,774 S *	10/1999	Gauffin	D13/184
D418,822 S *	1/2000	Worley	D13/162
D435,125 S *	12/2000	Boessel	D26/26
D454,873 S *	3/2002	Clark	D14/358

(73) Assignee: **SIEMENS SCHWEIZ AG**, Zurich (CH)

(**) Term: **15 Years**

(21) Appl. No.: **29/736,844**

(22) Filed: **Jun. 3, 2020**

Related U.S. Application Data

(62) Division of application No. 35/506,737, filed on Nov. 13, 2018 (U.S. filing date under 35 U.S.C. 384), and having an international filing date of Nov. 13, 2018, now Pat. No. Des. 919,608.

(51) **LOC (13) Cl.** **14-03**

(52) **U.S. Cl.**
USPC **D14/240**
CPC **H04L 12/00** (2013.01)

(58) **Field of Classification Search**
USPC D14/356, 357, 358, 367, 240, 254, 299, D14/140, 140.1, 140.6, 155, 168, 188, D14/195, 348, 351, 388, 433, 496, 142, D14/230; D13/103, 107, 108, 123, 152, D13/158, 162, 162.1, 163, 168, 184, 199, D13/146; D10/106.6, 116.1, 61, 64, 75, D10/106.9
CPC H04L 12/00; H04L 12/2834; H04L 43/02; H04L 2012/5618; H04L 12/66; H04L 65/102; H04M 1/00; H04W 88/16

See application file for complete search history.

(Continued)

Primary Examiner — Richard E Chilcot

(74) *Attorney, Agent, or Firm* — Slayden Grubert Beard PLLC

(57)

CLAIM

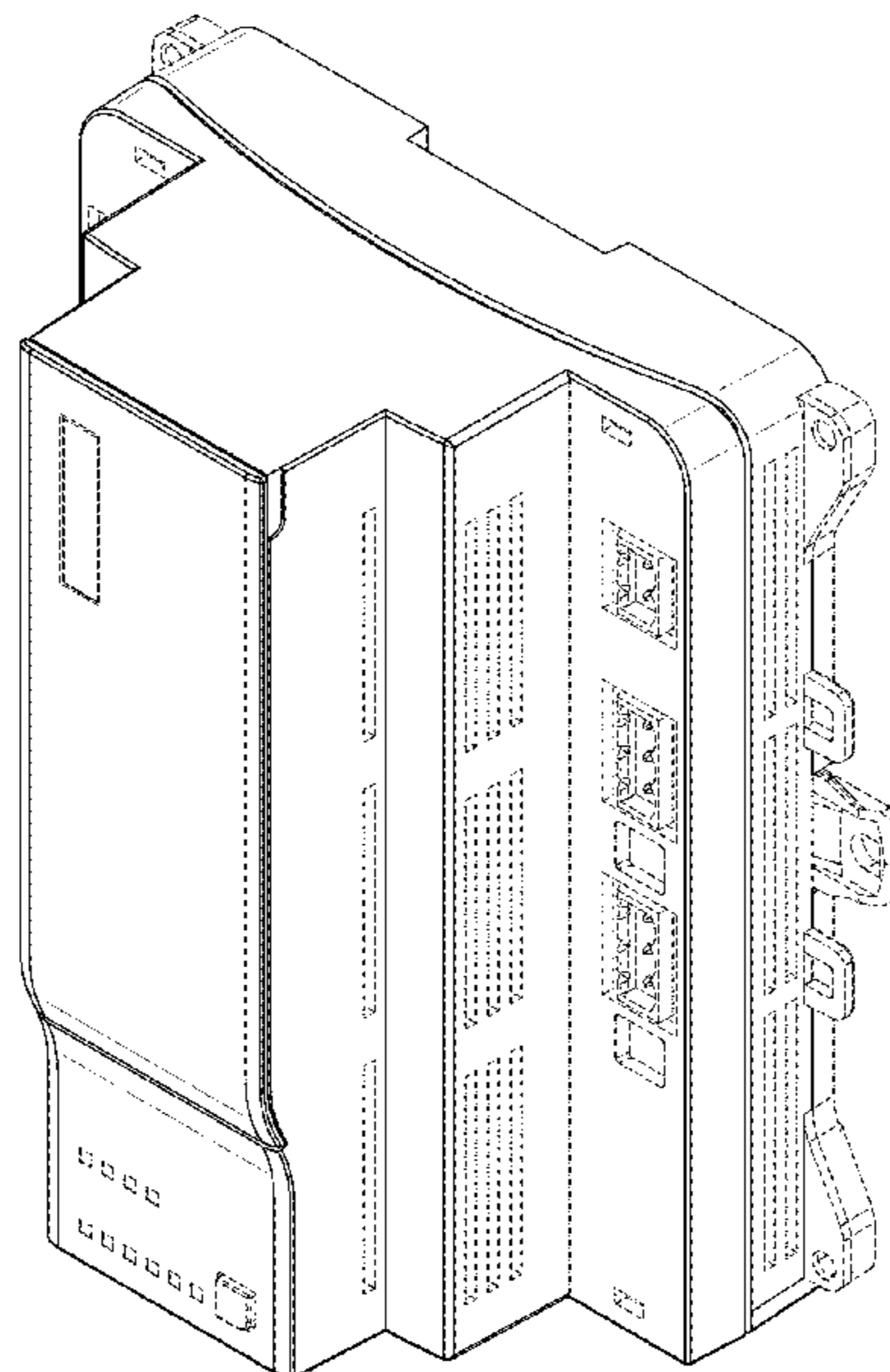
The ornamental design a control unit for room automation, as shown and described.

DESCRIPTION

FIG. 1 is a front view of a control unit for room automation. FIG. 2 is a back view of a control unit for room automation. FIG. 3 is a top view of a control unit for room automation. FIG. 4 is a bottom view of a control unit for room automation. FIG. 5 is a right view of a control unit for room automation. FIG. 6 is a left view of a control unit for room automation; and, FIG. 7 is an isometric view of a control unit for room automation.

Broken lines are not part of the claimed design.

1 Claim, 7 Drawing Sheets



(56)

References Cited

U.S. PATENT DOCUMENTS

D472,555	S	*	4/2003	Tomino	D13/133
D485,829	S	*	1/2004	Lee	D14/240
D489,337	S	*	5/2004	Murray	D13/162
D492,262	S	*	6/2004	Murray	D13/162
D499,074	S	*	11/2004	Cook	D13/179
D521,504	S	*	5/2006	Nagel	D14/240
D526,615	S	*	8/2006	Nakashima	D13/133
D565,036	S	*	3/2008	Ju	D14/240
D574,823	S	*	8/2008	Wung	D14/240
D575,775	S	*	8/2008	Sekine	D13/137.3
D585,838	S	*	2/2009	Tiedemann	D13/147
D594,456	S	*	6/2009	Huang	D14/358
D616,876	S	*	6/2010	MacCormac	D14/240
D623,636	S	*	9/2010	Luonsinen	D14/240
D652,036	S	*	1/2012	Huang	D14/358
D659,652	S	*	5/2012	Wong	D13/162.1
D694,223	S	*	11/2013	Wells	D14/242
D695,686	S	*	12/2013	Fukano	D13/146
D695,687	S	*	12/2013	Fukano	D13/146
D705,171	S	*	5/2014	Fukano	D13/146
D708,611	S	*	7/2014	Burmeister-Brown	D14/358
D714,753	S	*	10/2014	Lee	D14/140
D726,127	S	*	4/2015	Gole	D13/158
D733,069	S	*	6/2015	Engblom	D13/158
D733,070	S	*	6/2015	Engblom	D13/158
D733,071	S	*	6/2015	Engblom	D13/158
D758,365	S	*	6/2016	Shimano	D14/358
D768,585	S	*	10/2016	Moore	D13/184
D836,092	S	*	12/2018	Erbacher	D14/242
D846,538	S	*	4/2019	Wild	D14/240
D865,731	S	*	11/2019	Sun	D14/240
D877,112	S	*	3/2020	Washio	D14/188
D883,941	S	*	5/2020	Muramoto	D13/184

* cited by examiner

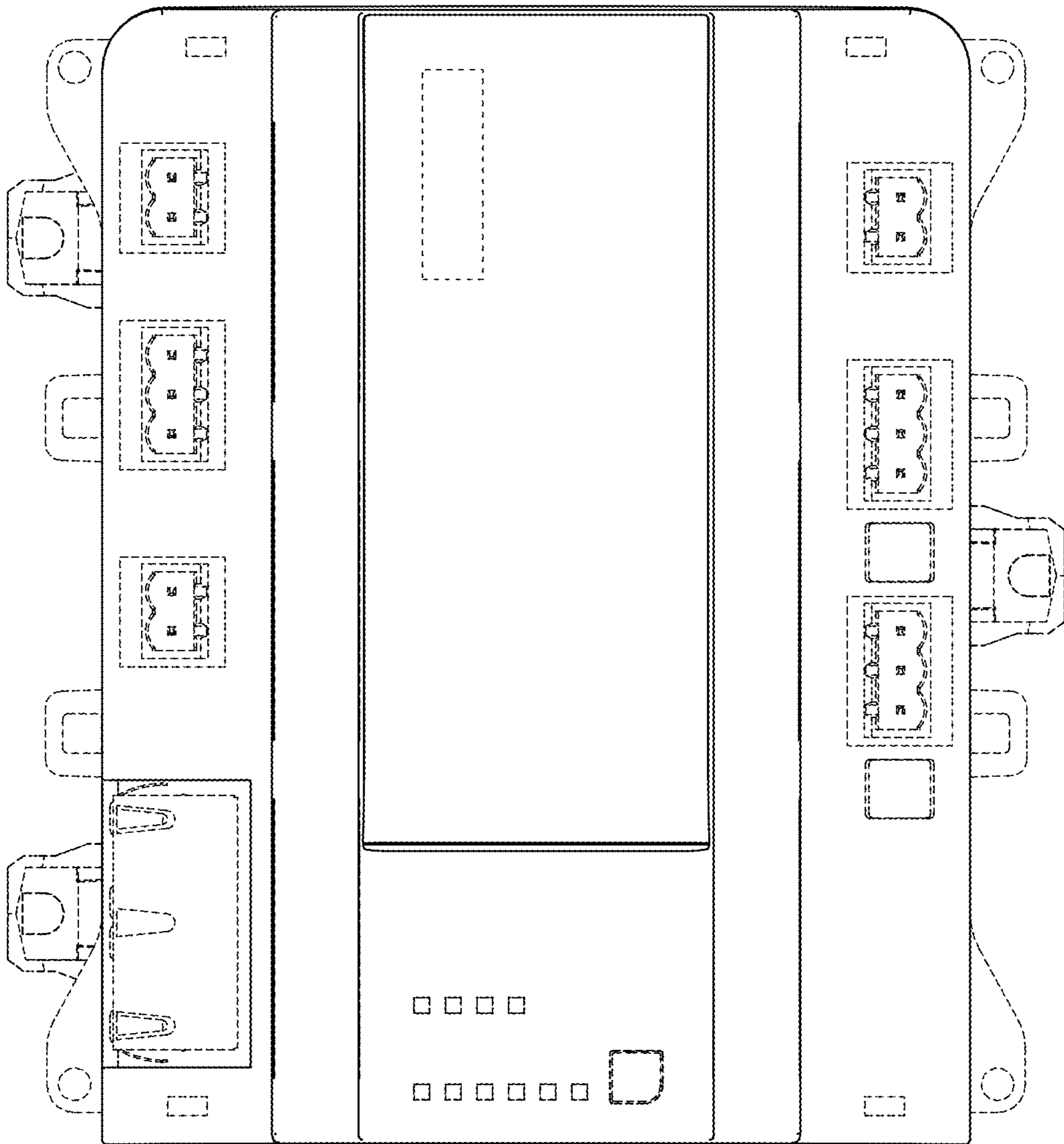


Fig. 1

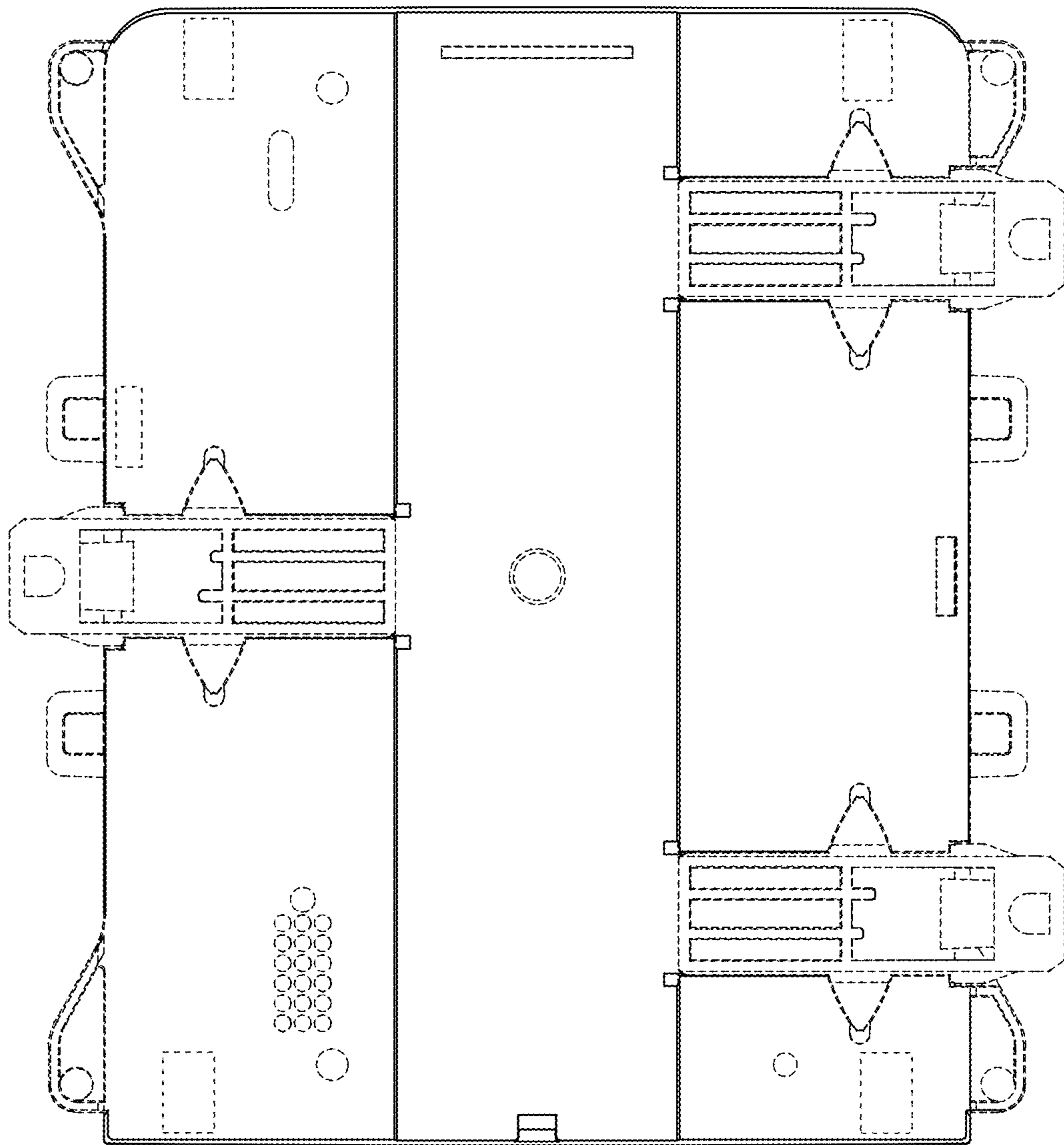


Fig. 2

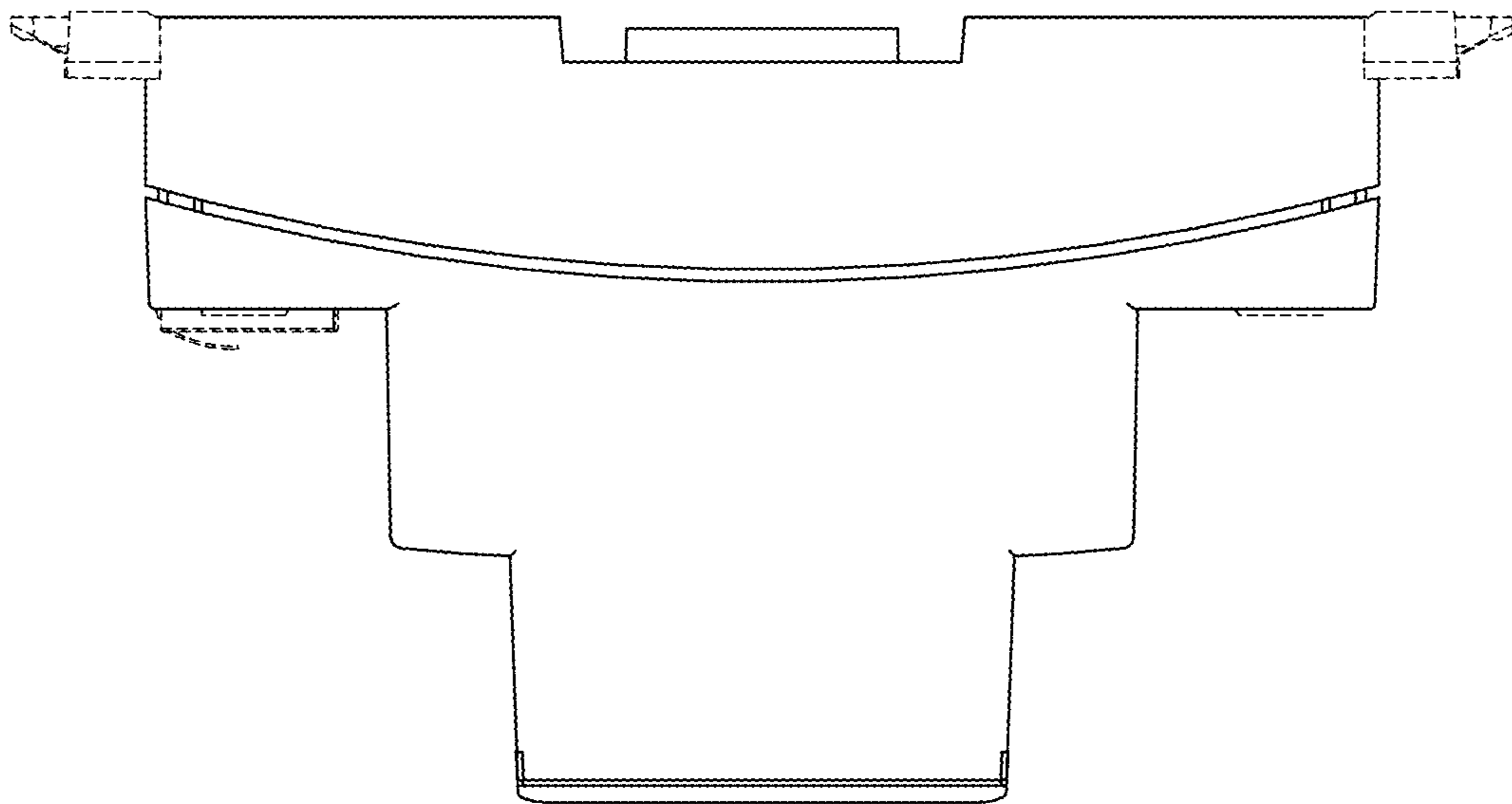


Fig. 3

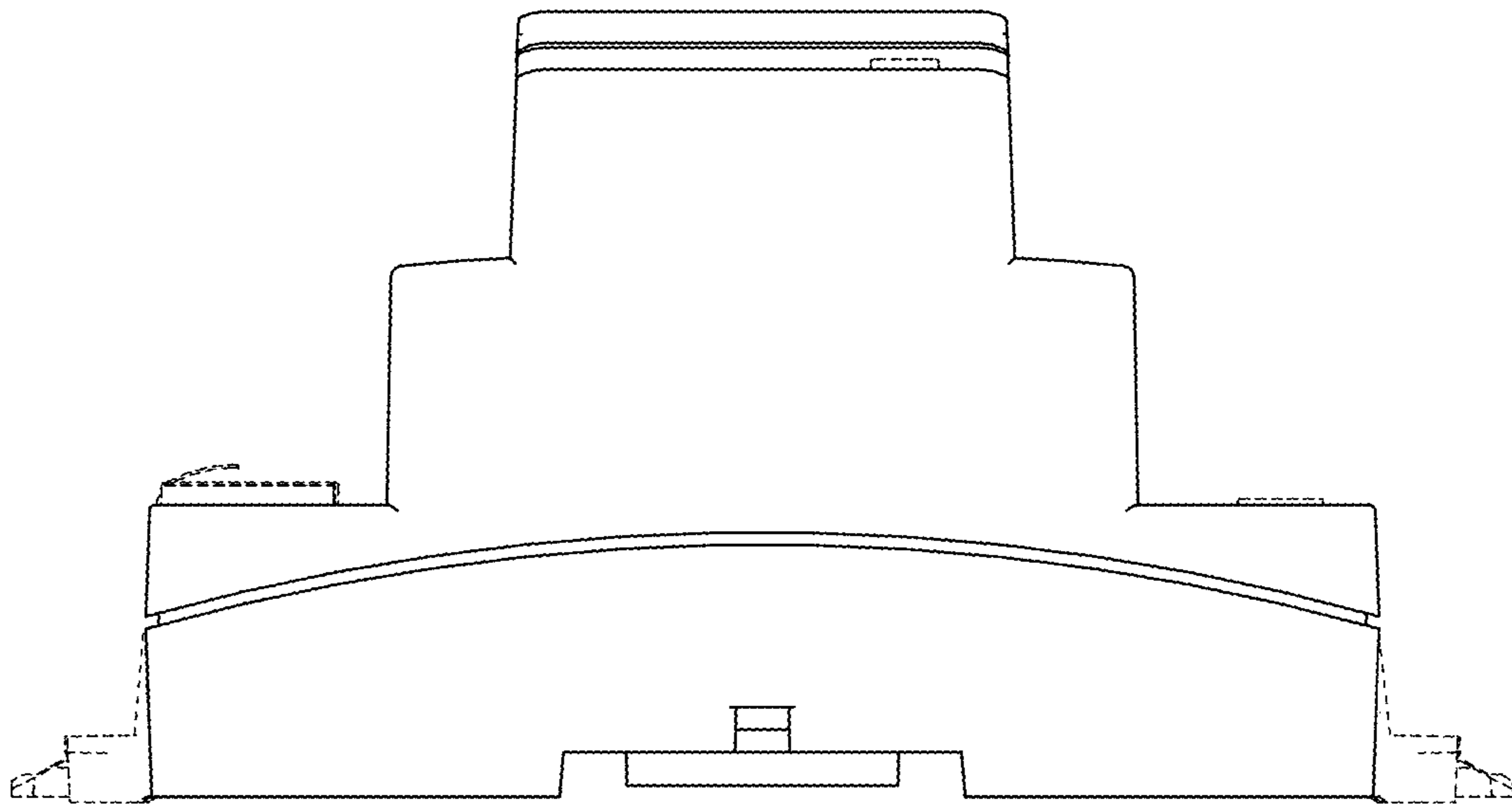


Fig. 4

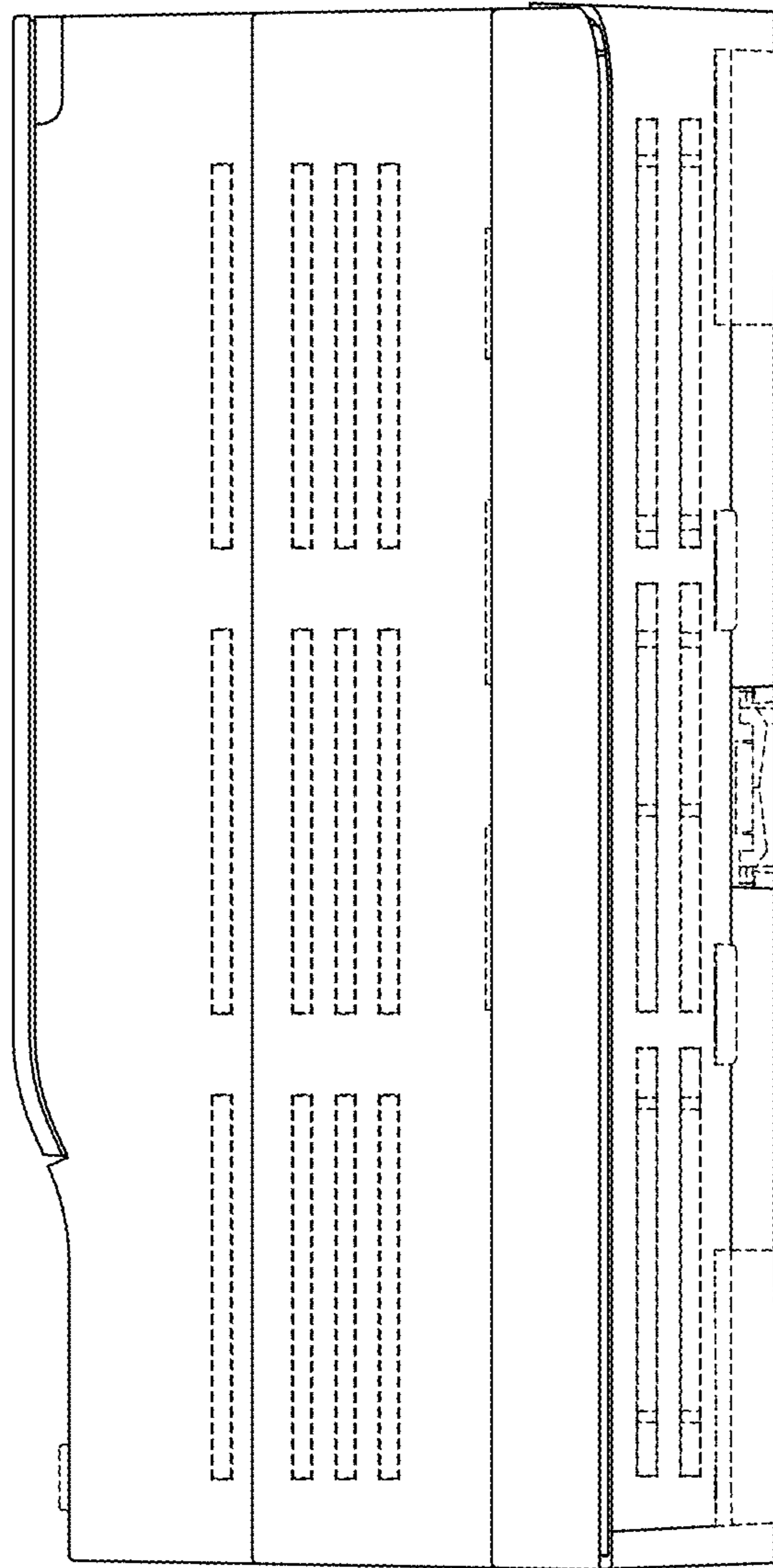


Fig. 5

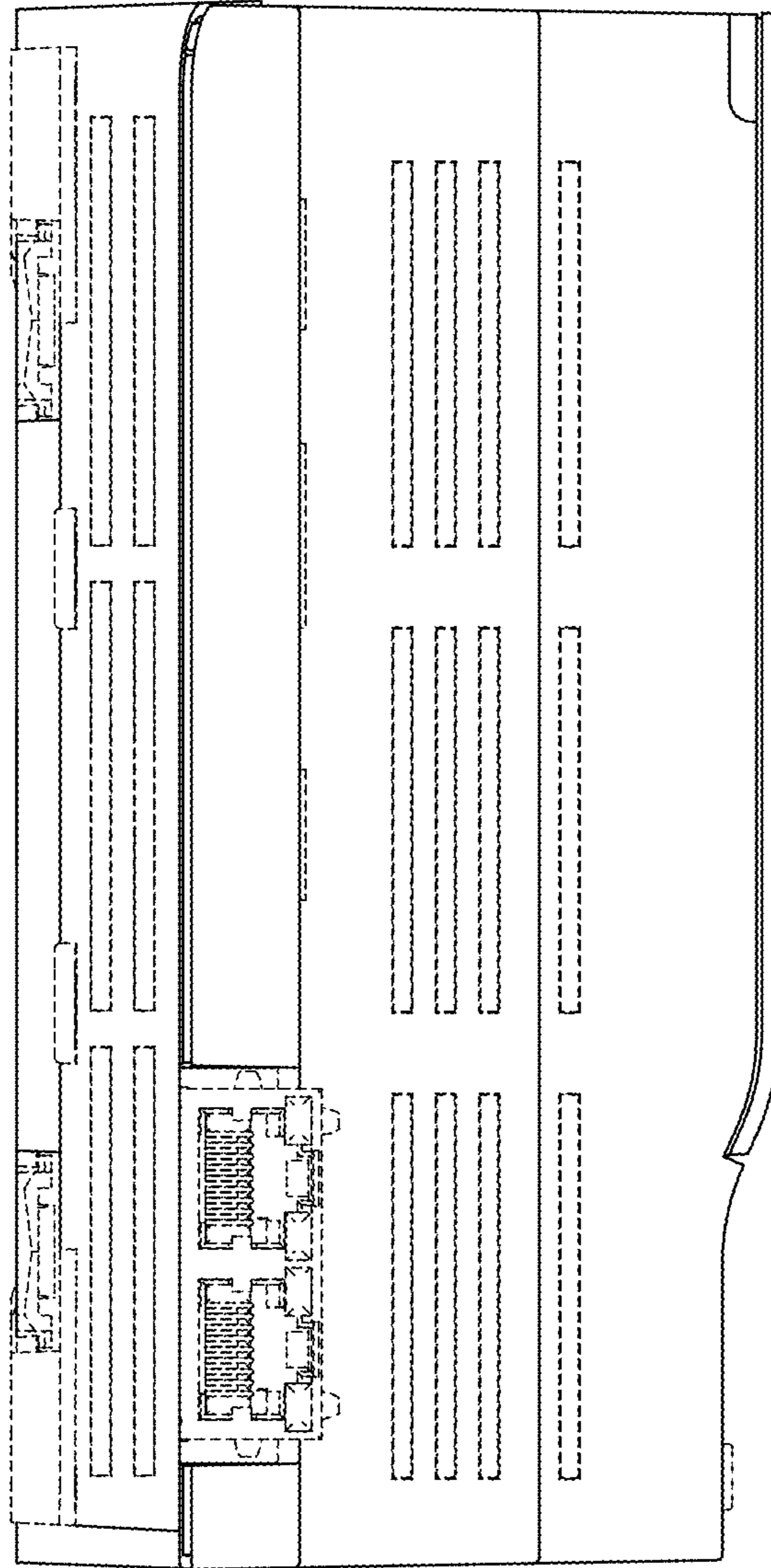


Fig. 6

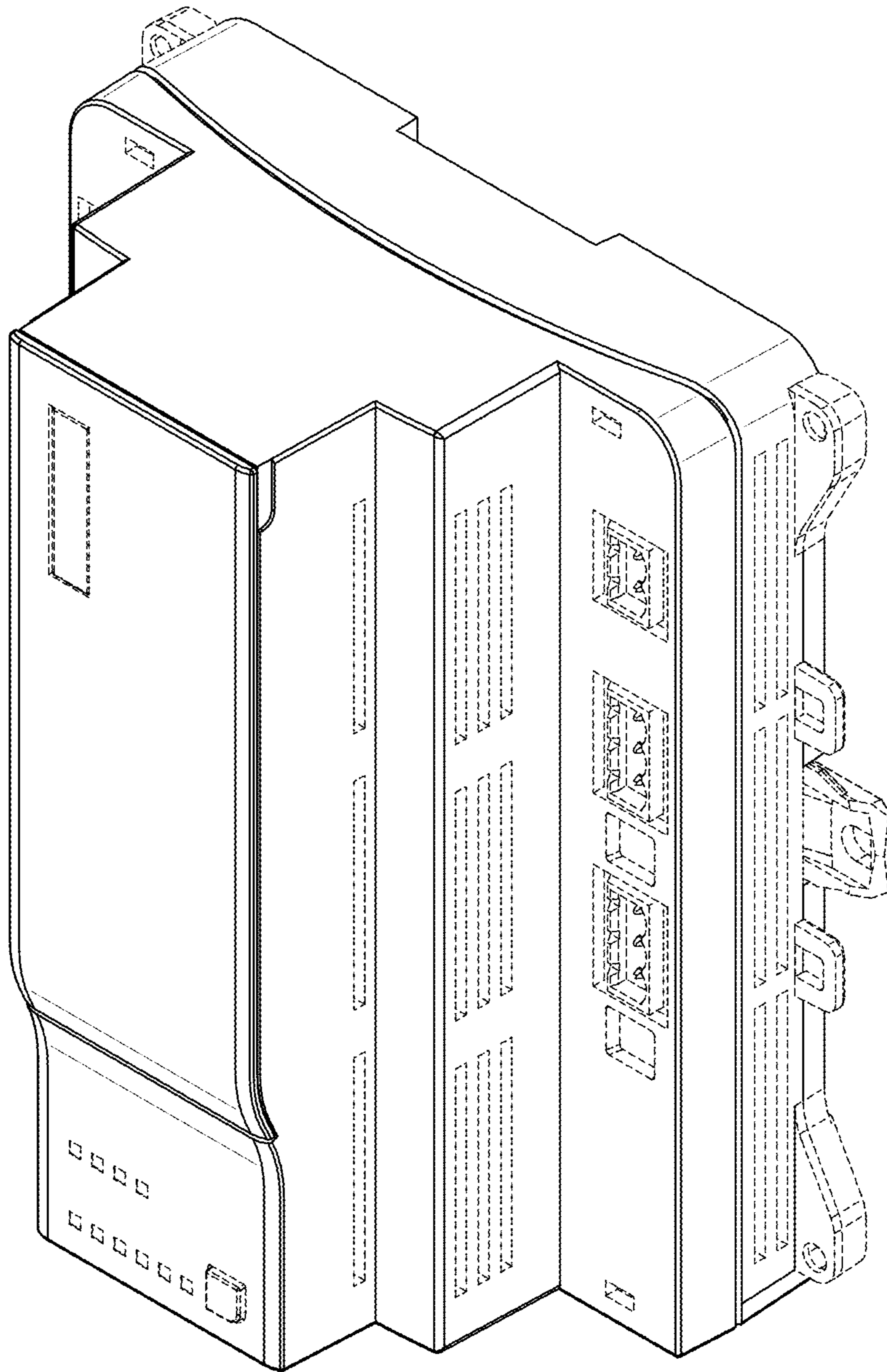


Fig. 7