



US00D928757S

(12) **United States Design Patent**
Lee

(10) **Patent No.:** **US D928,757 S**

(45) **Date of Patent:** **** Aug. 24, 2021**

(54) **ROUTER**

(71) Applicant: **MAKE GREAT SALES LIMITED,**
Wan Chai (HK)

(72) Inventor: **Kin Choi Lee,** Wan Chai (HK)

(73) Assignee: **MAKE GREAT SALES LIMITED,**
Hong Kong (HK)

(**) Term: **15 Years**

(21) Appl. No.: **29/716,650**

(22) Filed: **Dec. 11, 2019**

(51) **LOC (13) Cl.** **14-03**

(52) **U.S. Cl.**
USPC **D14/240**

(58) **Field of Classification Search**
USPC D14/240, 242, 357, 358, 140-140.9, 155,
D14/125, 137, 139, 243, 348, 349, 351,
D14/354, 355
CPC H04L 12/00; H03K 17/00; H04W 88/00;
H04W 88/005; H04W 88/02; H04W
88/08; H04W 88/085; H04W 88/10;
H04W 88/12; H04W 88/14; H04B 1/38
See application file for complete search history.

(56) **References Cited**

U.S. PATENT DOCUMENTS

D375,097 S	*	10/1996	Kovens	D10/106.1
D509,214 S	*	9/2005	Chung	D14/240
D532,000 S	*	11/2006	Morrow	D14/240
D540,315 S	*	4/2007	Morrow	D14/240
D541,792 S	*	5/2007	Liu	D14/240
D573,985 S	*	7/2008	Jeong	D14/240
D670,277 S	*	11/2012	Huang	D14/240
D677,223 S	*	3/2013	Cho	D13/110

D742,994 S	*	11/2015	Mackay	D22/122
D813,852 S	*	3/2018	Ni	D14/240
D822,651 S	*	7/2018	Gutteridge	D14/240
D823,844 S	*	7/2018	Ramones	D14/240
D897,326 S	*	9/2020	Araki	D14/240

OTHER PUBLICATIONS

TP-Link AC1200 WiFi Extender, Date First Available: Apr. 25, 2019, [online], [retrieved on Jun. 25, 2021], Retrieved from Internet, <URL: https://www.amazon.com/TP-Link-AC1200-WiFi-Range-Extender/dp/B07Q2WQWT7/ref=sr_1_50?dchild=1&keywords=range+extender%2C+network+switch%2C+network+hub%2C+network+router%2C+network+modem&qid=1624670036&sr=8-50>.*

* cited by examiner

Primary Examiner — Bridget L Eland

(74) *Attorney, Agent, or Firm* — Onello & Mello, LLP

(57) **CLAIM**

The ornamental design for a router, as shown and described.

DESCRIPTION

FIG. 1 is a front isometric view of a router, in accordance with my design;
FIG. 2 is a rear isometric view of the router of FIG. 1;
FIG. 3 is a front view of the router of FIG. 1;
FIG. 4 is a rear view of the router of FIG. 1;
FIG. 5 is a left side view of the router of FIG. 1;
FIG. 6 is a right side view of the router of FIG. 1;
FIG. 7 is a top view of the router of FIG. 1; and,
FIG. 8 is a bottom view of the router of FIG. 1.

1 Claim, 7 Drawing Sheets

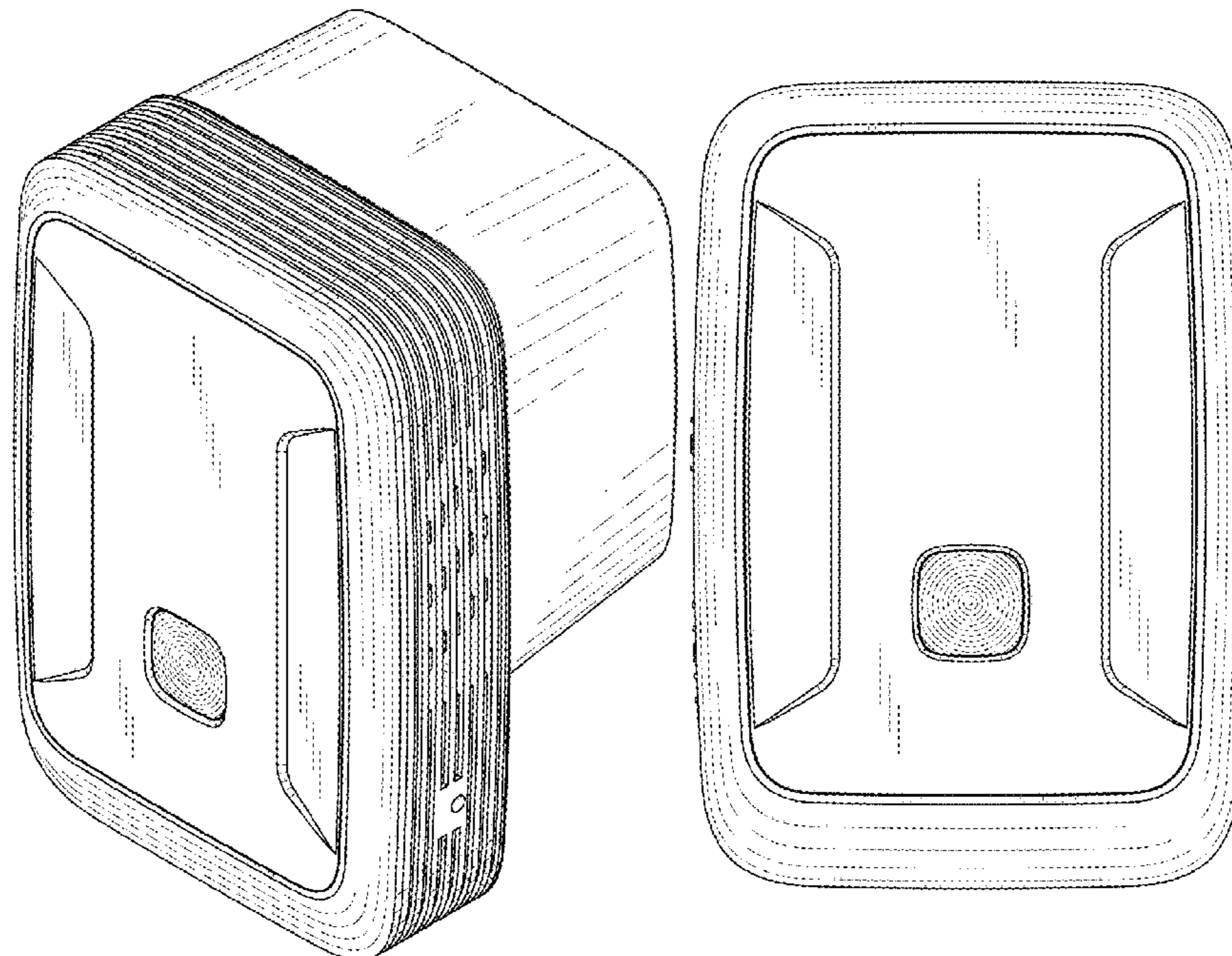


FIG. 1

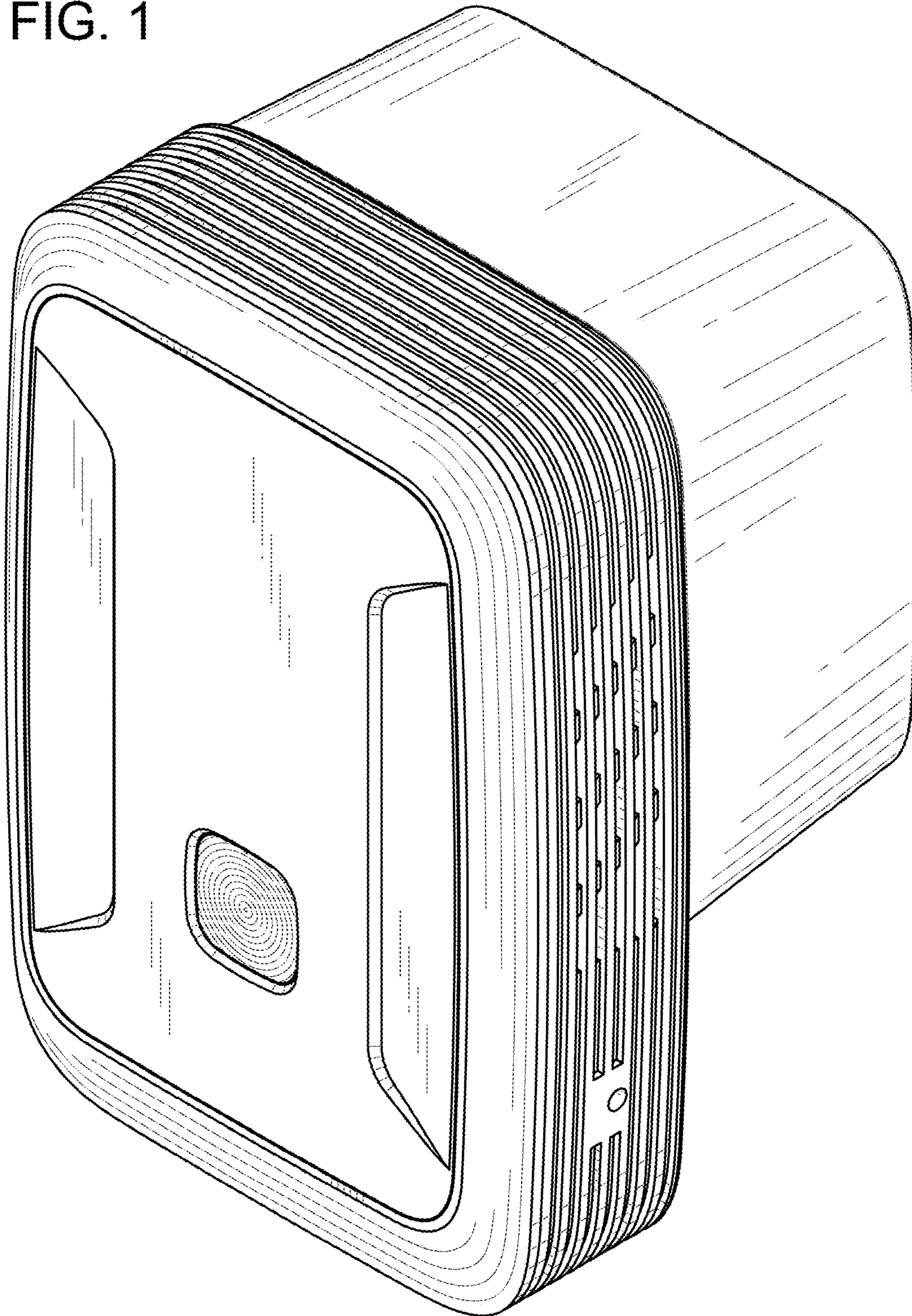
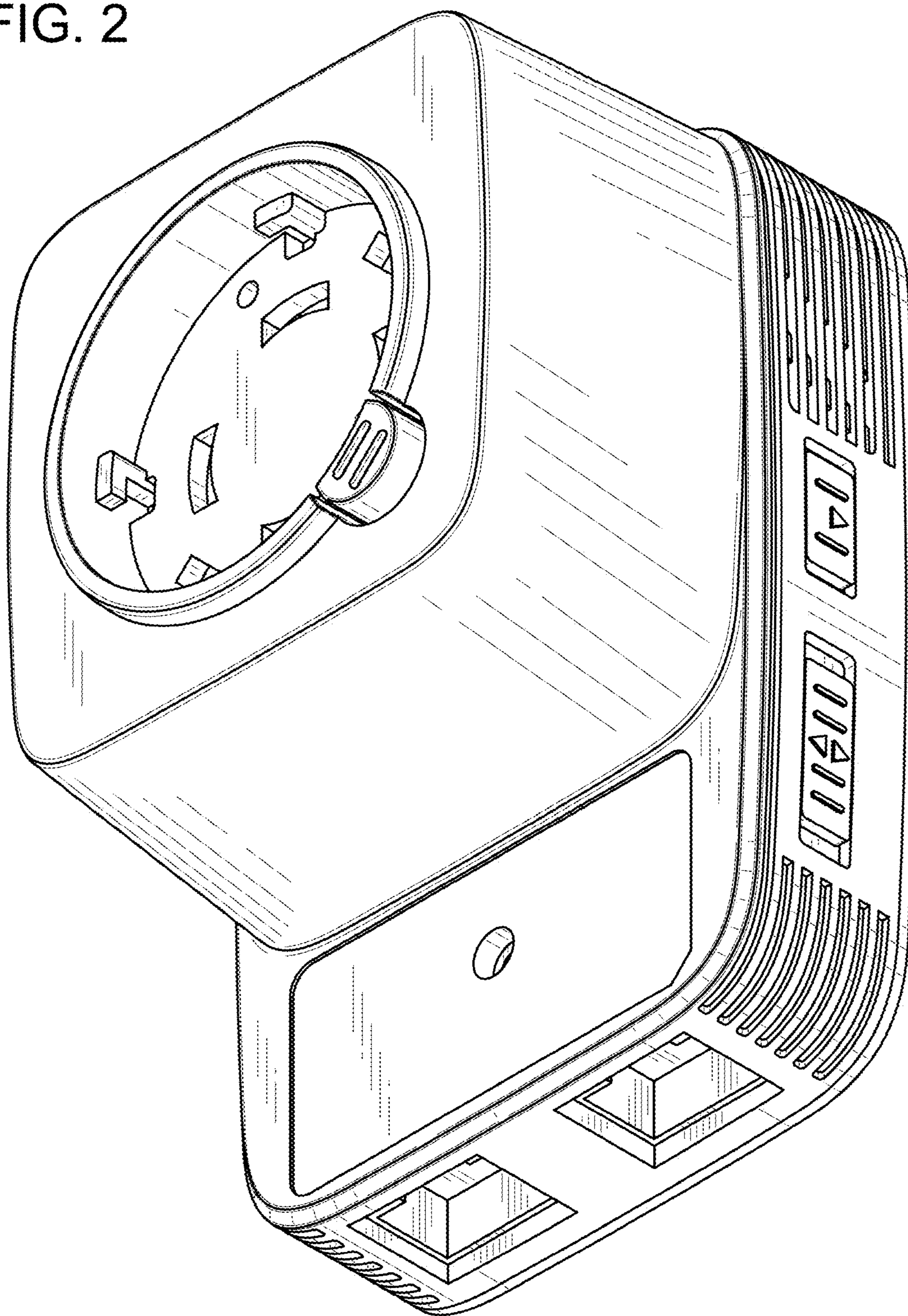


FIG. 2



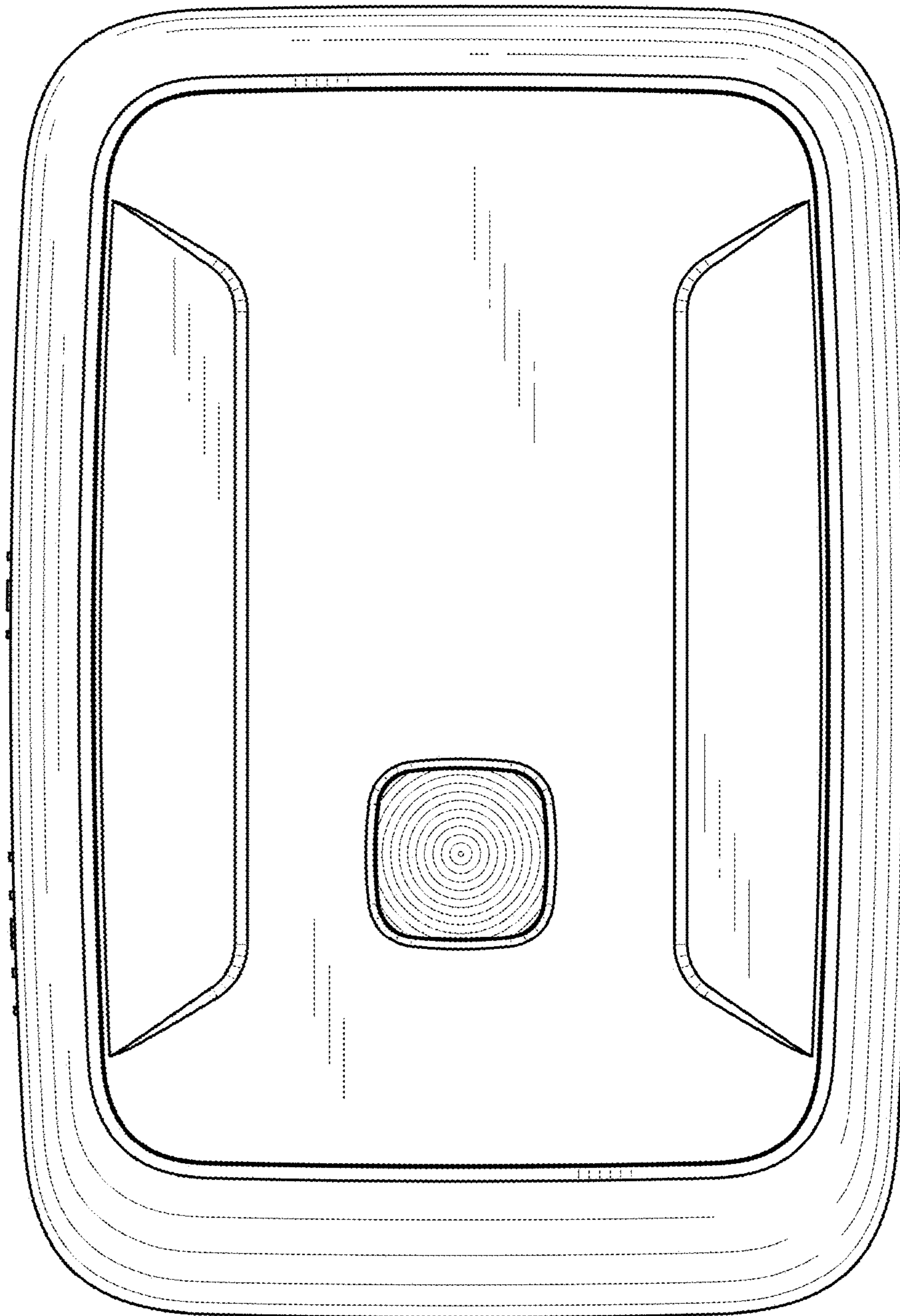


FIG. 3

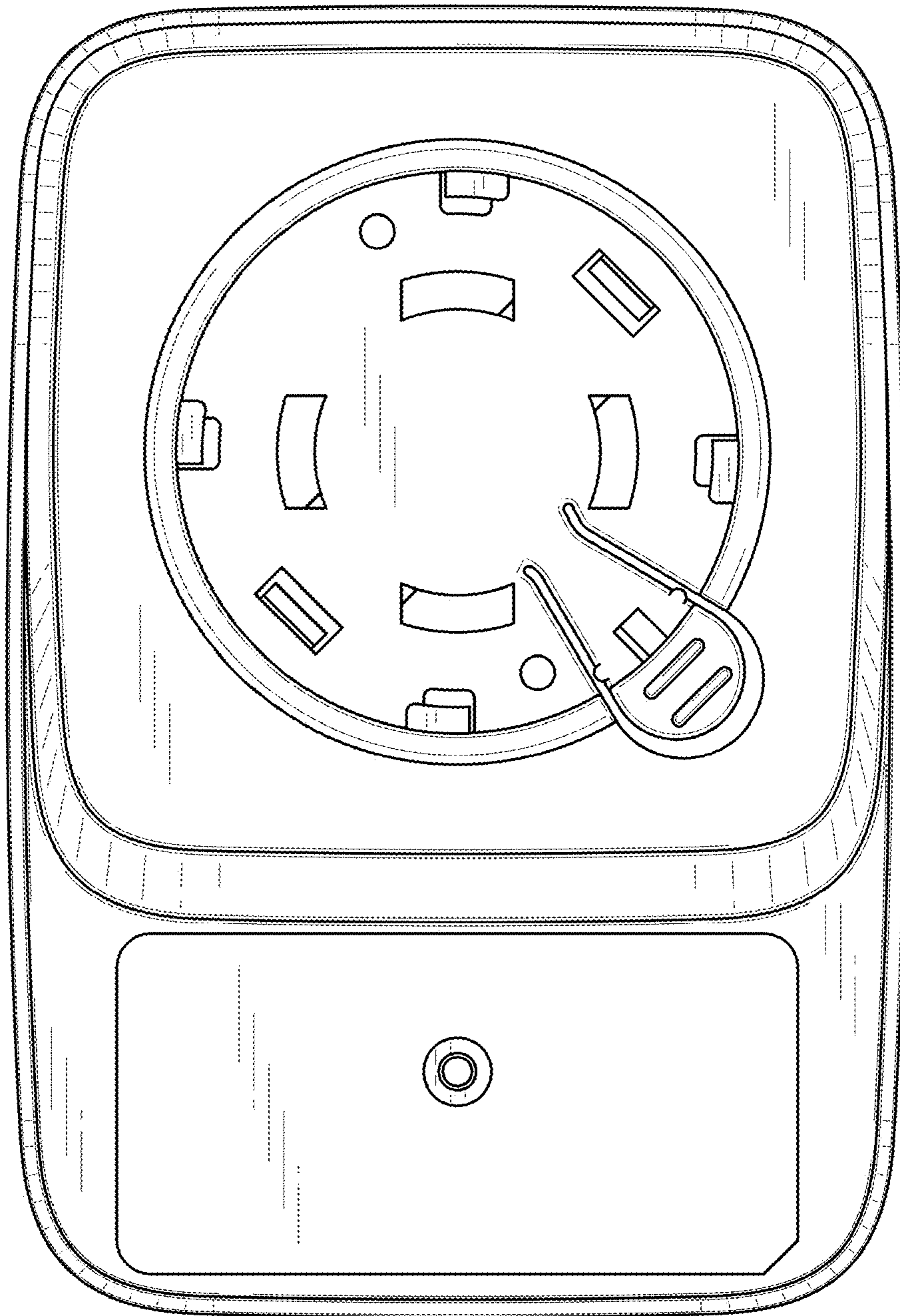


FIG. 4

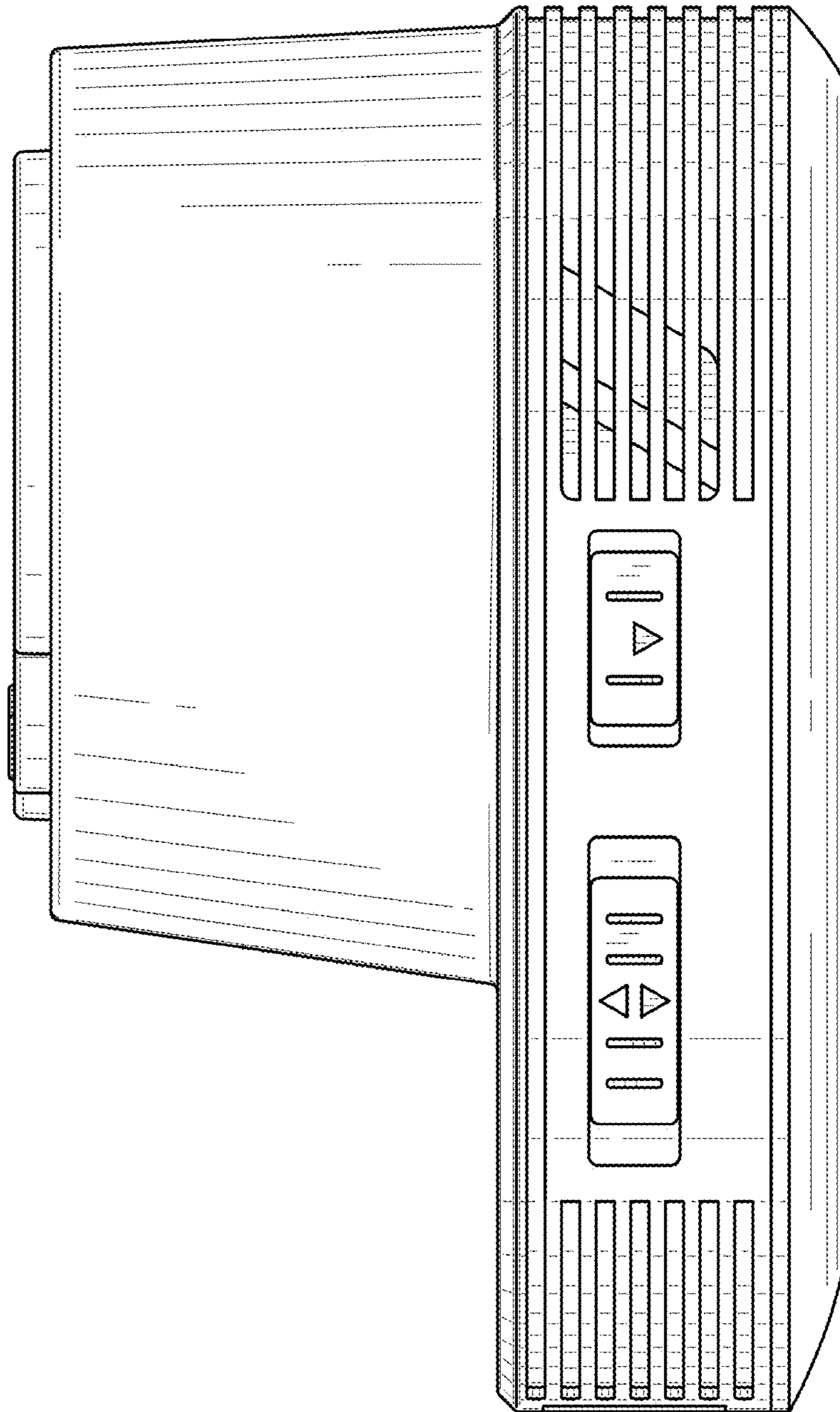


FIG. 5

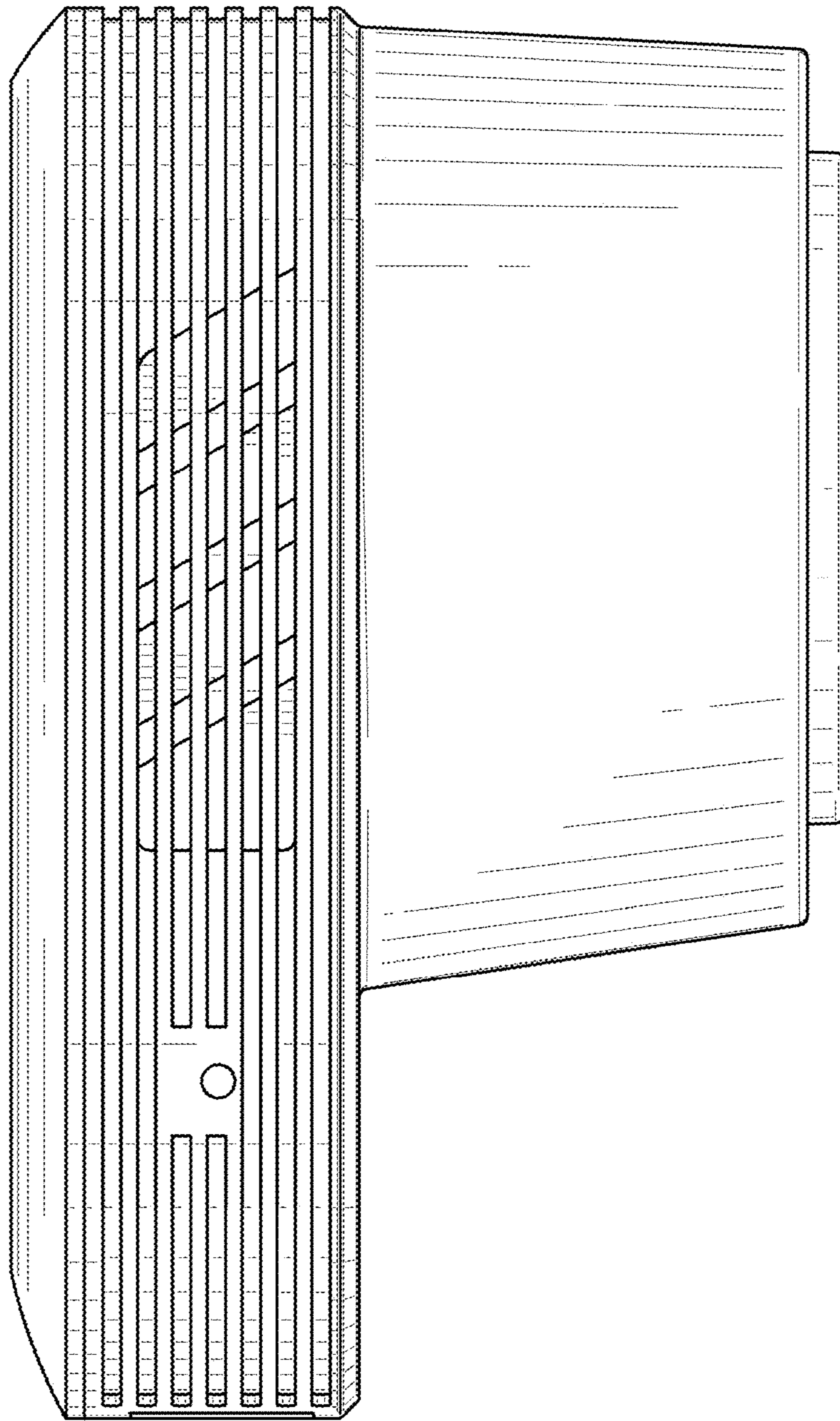


FIG. 6

FIG. 7

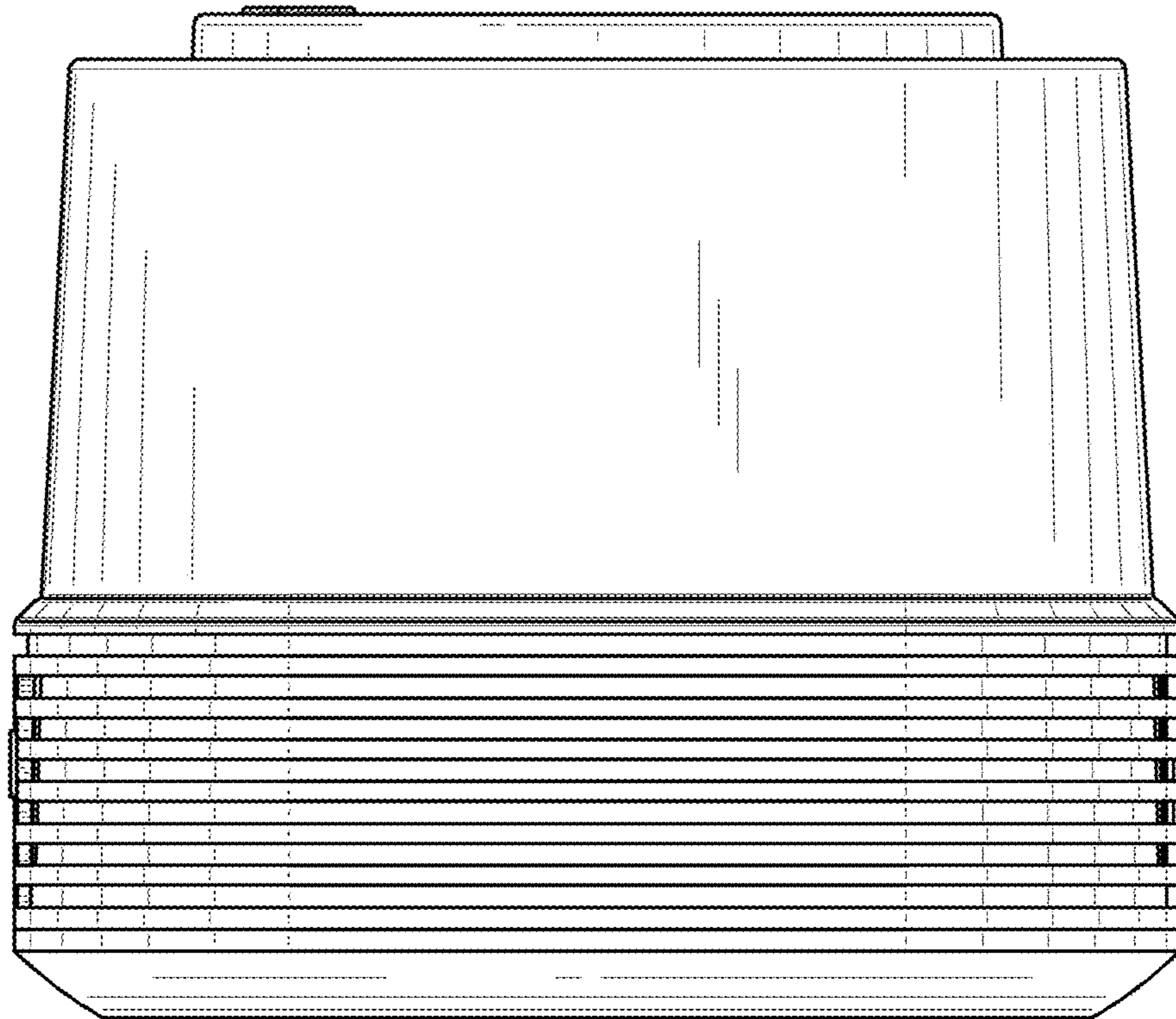


FIG. 8

