



US00D928754S

(12) **United States Design Patent**
Hjertberg et al.

(10) **Patent No.:** **US D928,754 S**

(45) **Date of Patent:** **** Aug. 24, 2021**

(54) **COMMUNICATIONS EQUIPMENT**

(71) Applicant: **3M INNOVATIVE PROPERTIES COMPANY**, St. Paul, MN (US)

(72) Inventors: **Tim S. Hjertberg**, Jönköping (SE);
Robert Karlsson, Bredaryd (SE)

(73) Assignee: **3M Innovative Properties Company**,
St. Paul, MN (US)

(**) Term: **15 Years**

(21) Appl. No.: **29/705,697**

(22) Filed: **Sep. 13, 2019**

(51) **LOC (13) Cl.** **14-03**

(52) **U.S. Cl.**
USPC **D14/240**

(58) **Field of Classification Search**
USPC D14/240, 242, 357, 358, 140-140.9, 155,
D14/125, 137, 139, 243, 348, 349, 351,
D14/354, 355

CPC H04L 12/00; H03K 17/00; H04W 88/00;
H04W 88/005; H04W 88/02; H04W
88/08; H04W 88/085; H04W 88/10;
H04W 88/12; H04W 88/14; H04B 1/38
See application file for complete search history.

(56) **References Cited**

U.S. PATENT DOCUMENTS

D330,704 S	*	11/1992	Wagner	D13/147
D364,618 S	*	11/1995	Somoza	D14/142
D622,710 S	*	8/2010	Goransson	D14/240
D630,198 S	*	1/2011	Wilkens	D14/240
D659,690 S	*	5/2012	Huang	D14/240

D661,698 S	*	6/2012	Chaturvedi	D14/358
D670,277 S	*	11/2012	Huang	D14/240
D711,848 S	*	8/2014	Liu	D14/155
D719,939 S	*	12/2014	Liang	D14/240
D738,347 S	*	9/2015	Reimer	D14/155
D823,311 S	*	7/2018	Oberpriller	D14/453
D883,242 S	*	5/2020	Wu	D14/125
D883,969 S	*	5/2020	Nogueira-Nine	D14/242
D894,162 S	*	8/2020	Carroll	D14/242
D897,326 S	*	9/2020	Araki	D14/240
D908,669 S	*	1/2021	Marti	D14/240

FOREIGN PATENT DOCUMENTS

EM 006312120 3/2019

* cited by examiner

Primary Examiner — Bridget L Eland

(74) *Attorney, Agent, or Firm* — Katherine M. Scholz

(57) **CLAIM**

The ornamental design for a communications equipment, as shown and described.

DESCRIPTION

FIG. 1 is a perspective view showing the new design for a communications equipment.

FIG. 2 is a first side view thereof;

FIG. 3 is a second side view thereof;

FIG. 4 is a front side view thereof;

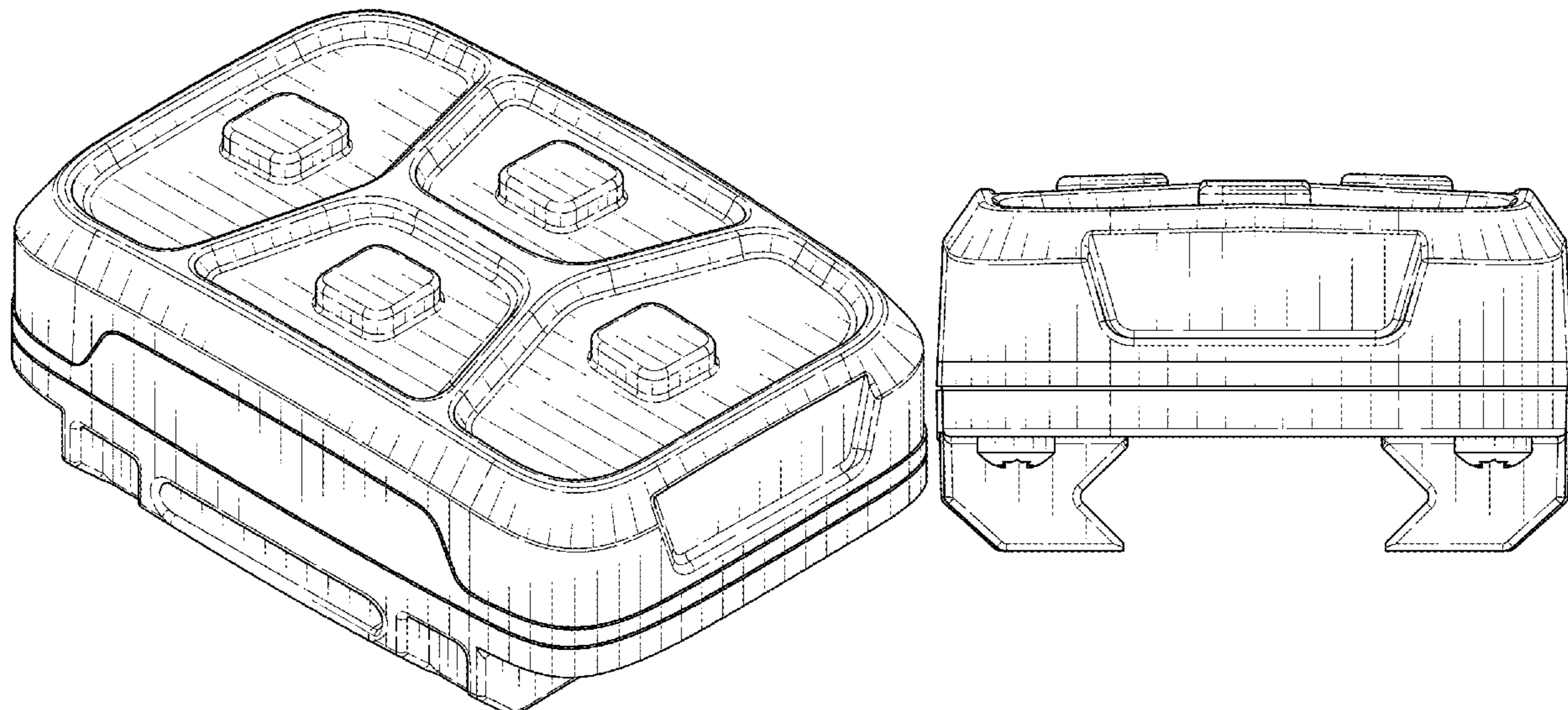
FIG. 5 is a rear side view thereof;

FIG. 6 is a top view thereof; and,

FIG. 7 is a bottom view thereof.

The broken lines in the drawings are for the purpose of illustrating portions of the communications equipment that form no part of the claimed design.

1 Claim, 5 Drawing Sheets



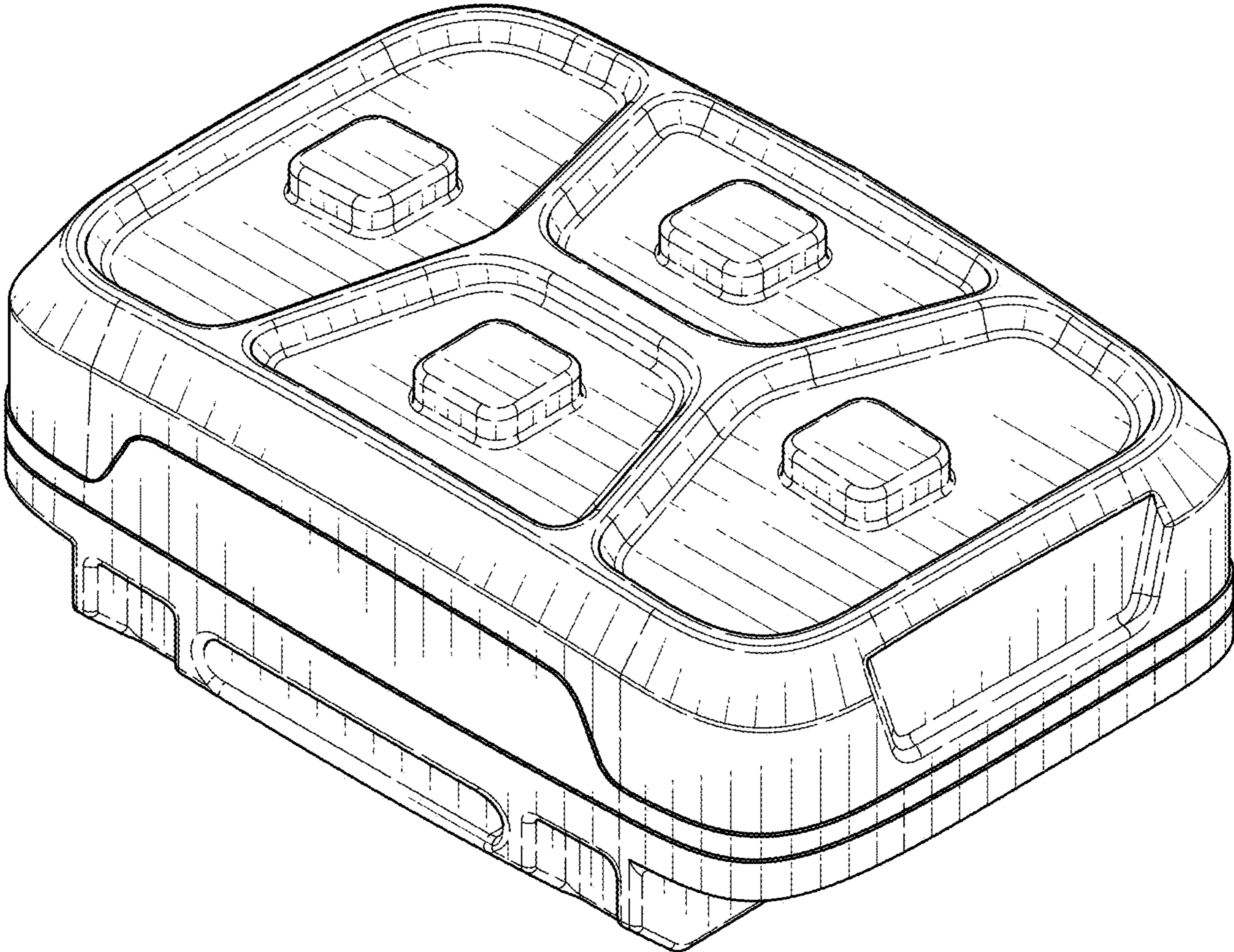


FIG. 1

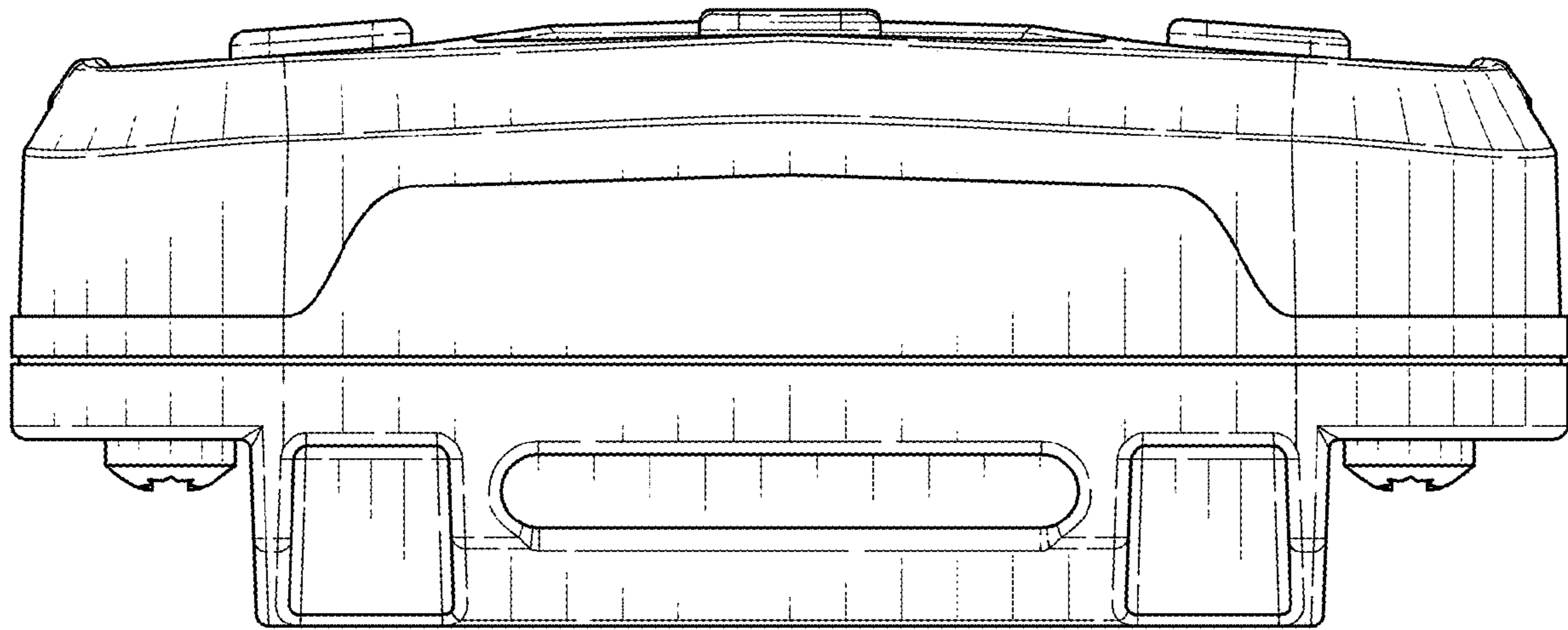


FIG. 2

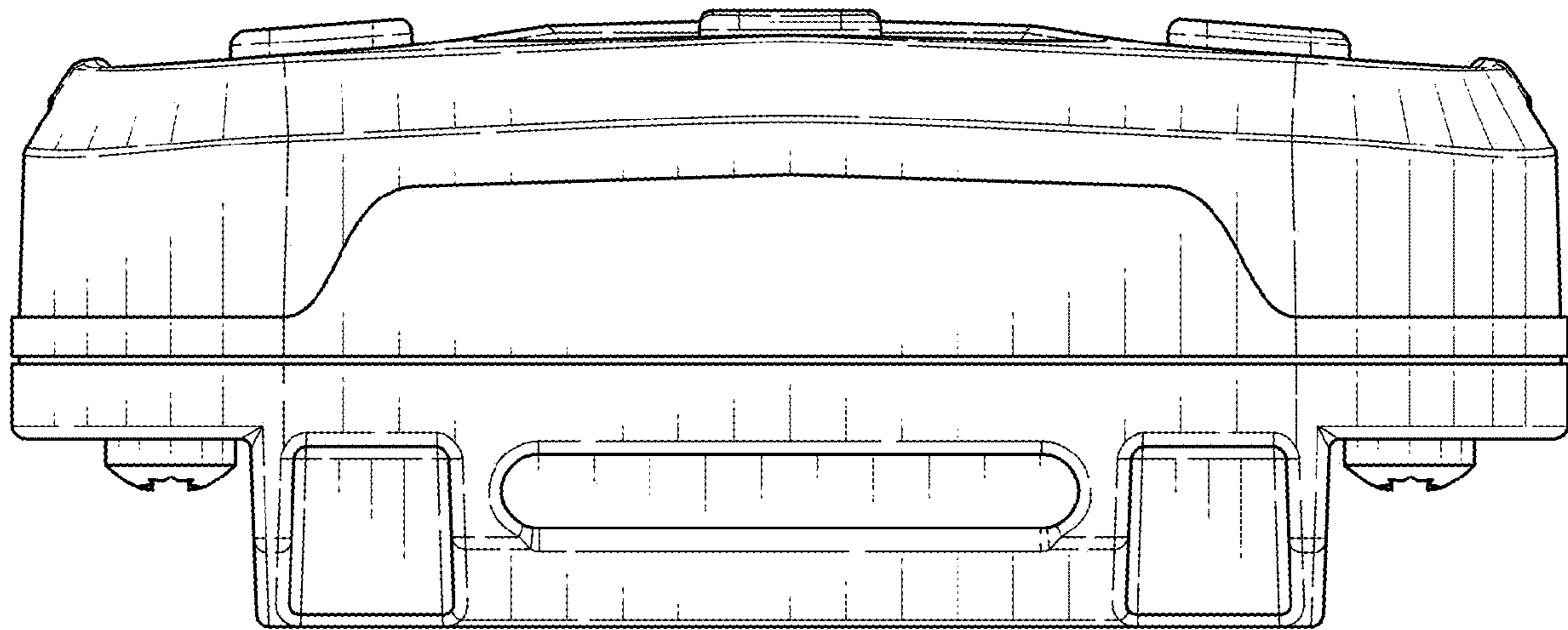


FIG. 3

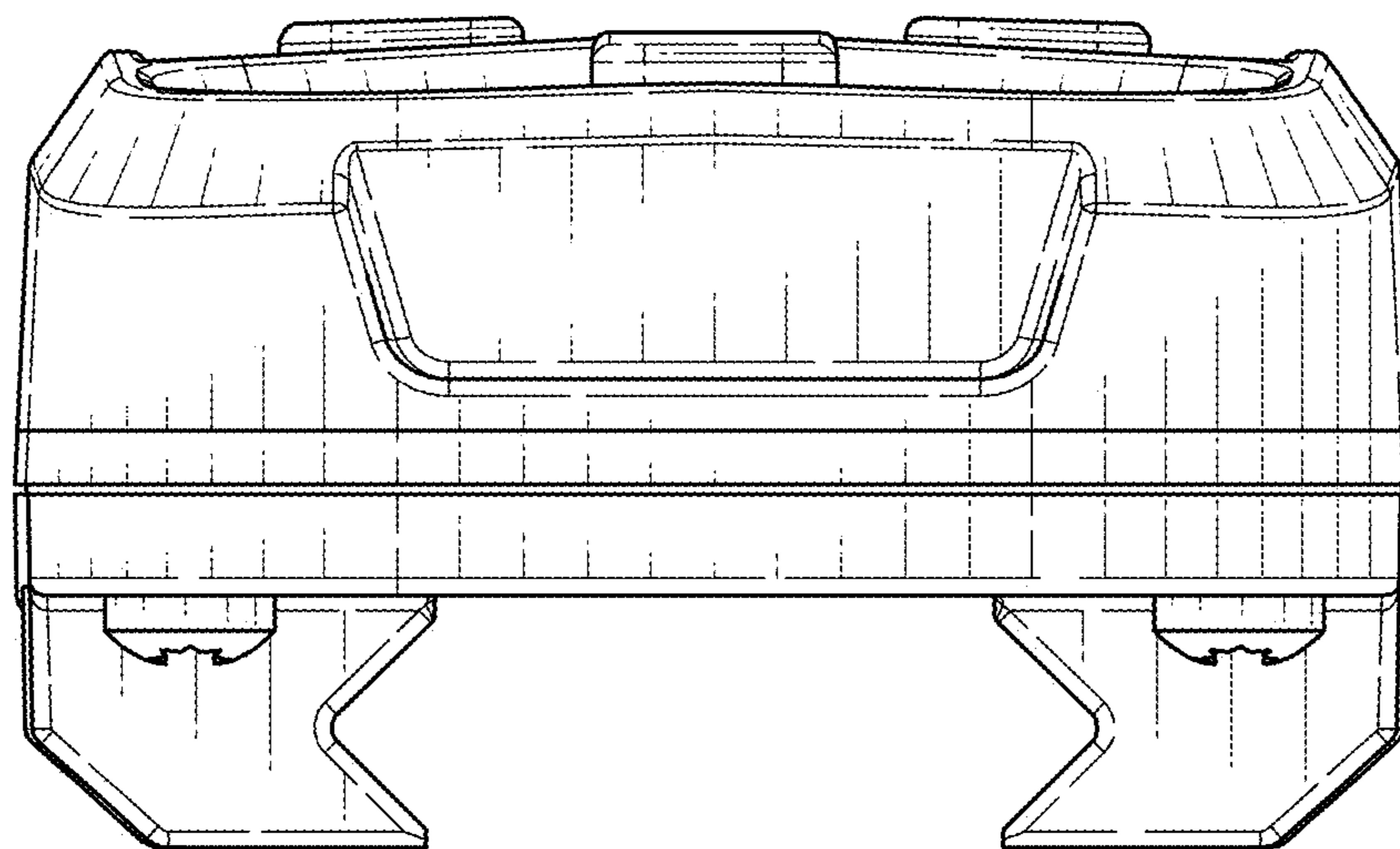


FIG. 4

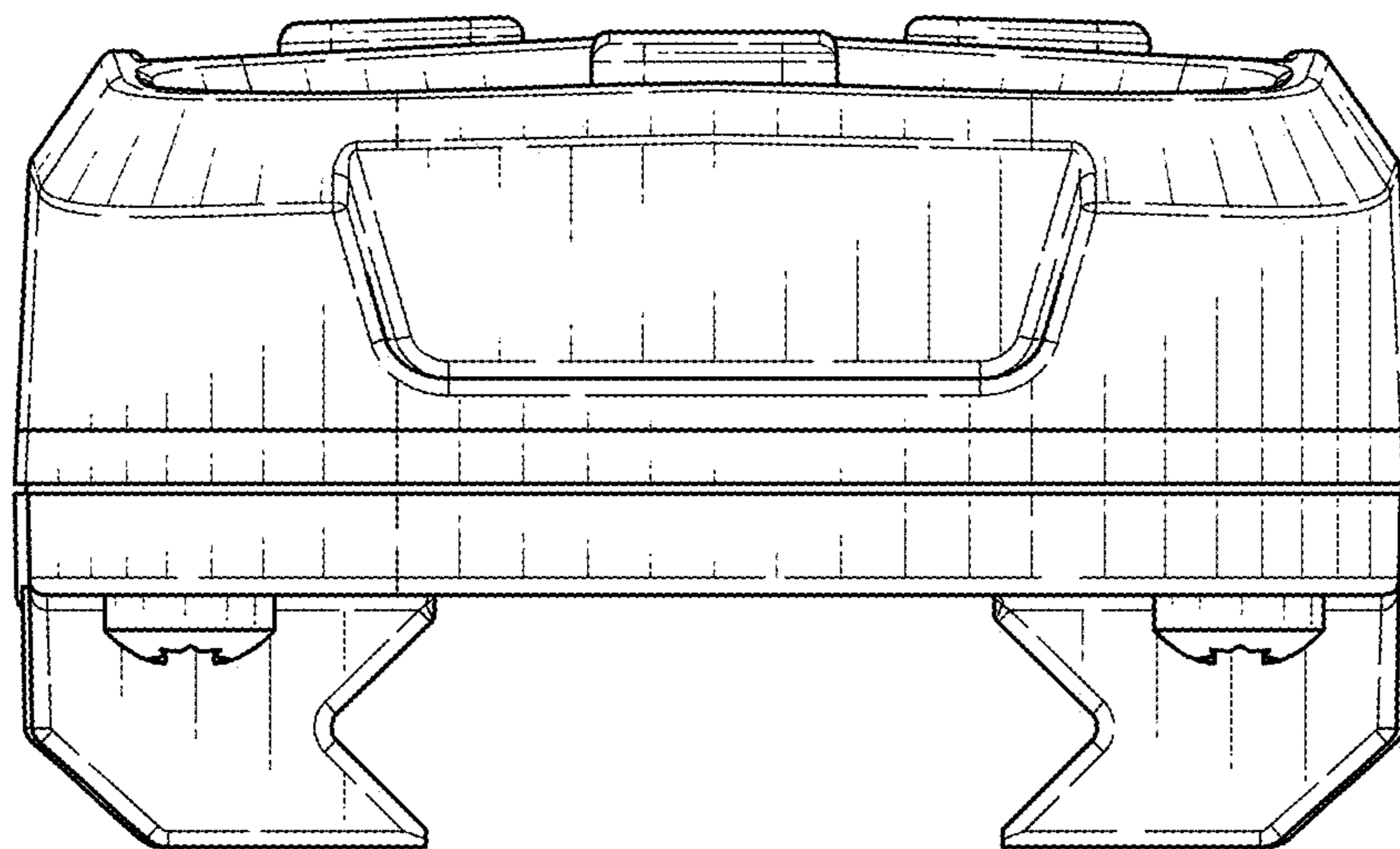


FIG. 5

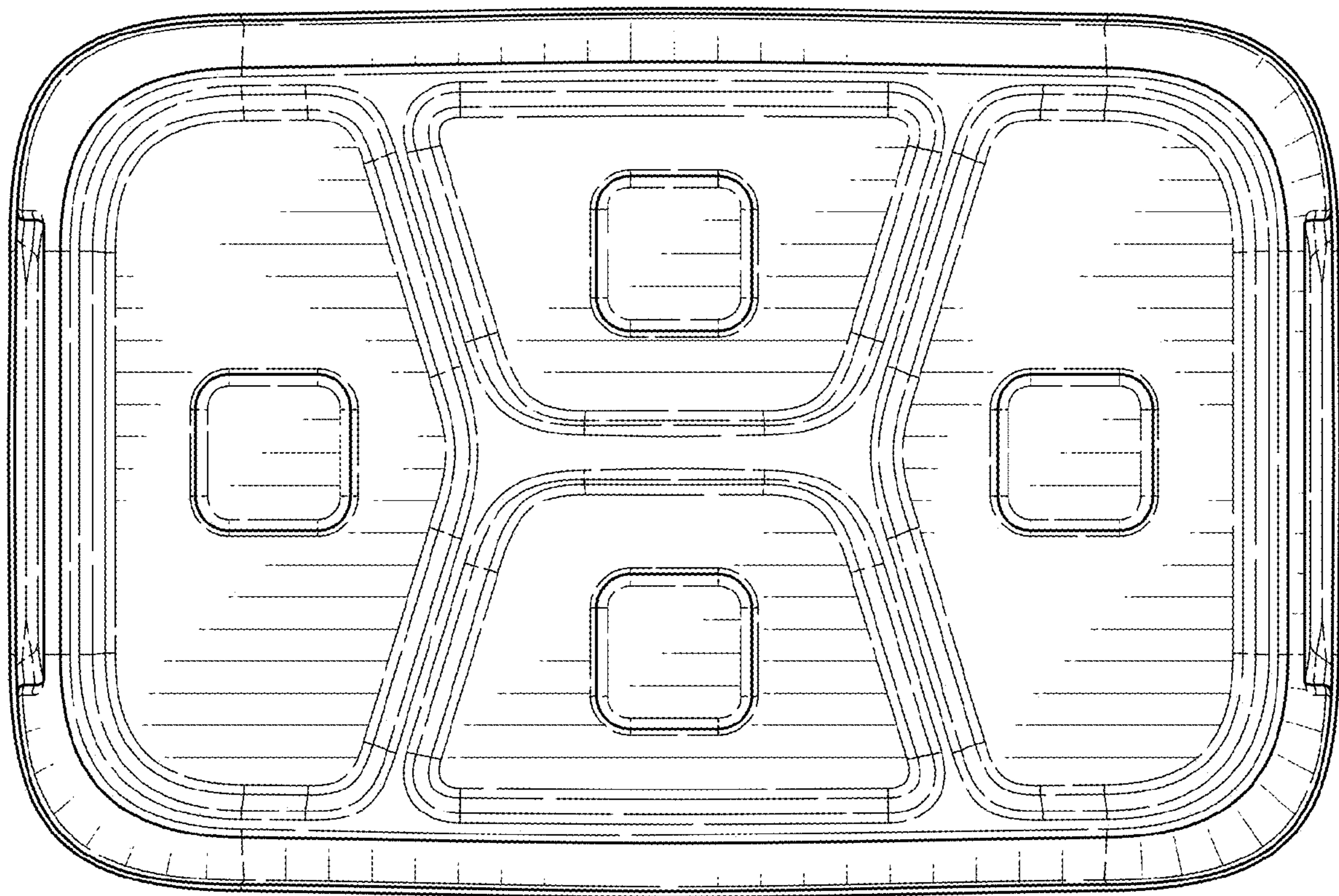


FIG. 6

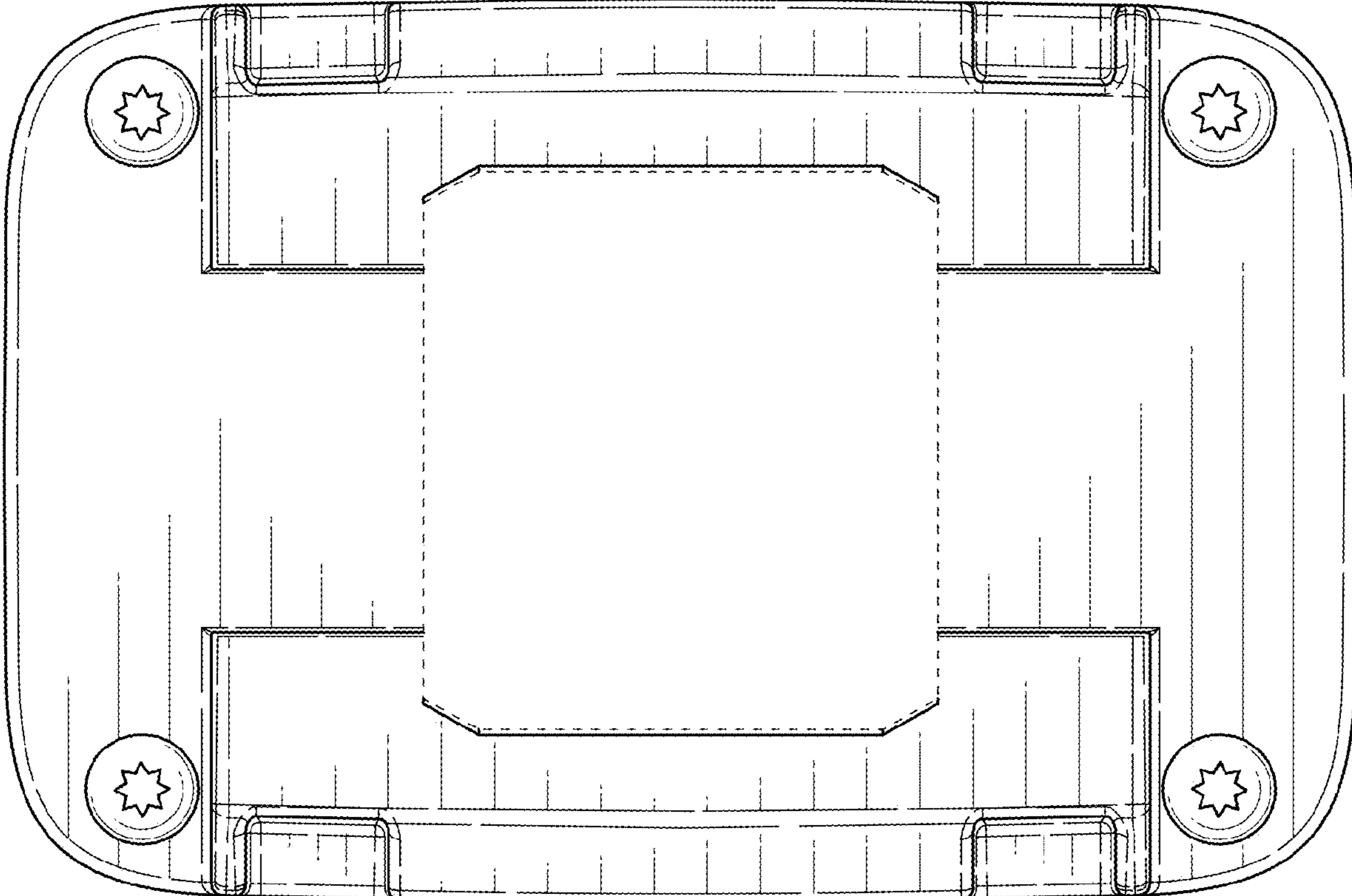


FIG. 7