



US00D928752S

(12) **United States Design Patent** (10) **Patent No.:** **US D928,752 S**
Tinaphong et al. (45) **Date of Patent:** **** Aug. 24, 2021**

- (54) **TELEVISION ANTENNA**
- (71) Applicant: **VOXX International Corporation**,
Hauppauge, NY (US)
- (72) Inventors: **Prapan Paul Tinaphong**, Carmel, IN
(US); **Chung Hua Hung**, Kaohsiung
Hsien (TW)
- (73) Assignee: **VOXX International Corporation**,
Hauppauge, NY (US)
- (**) Term: **15 Years**
- (21) Appl. No.: **29/722,505**
- (22) Filed: **Jan. 30, 2020**
- (51) **LOC (13) Cl.** **14-03**
- (52) **U.S. Cl.**
USPC **D14/231**
- (58) **Field of Classification Search**
USPC D14/231, 299, 358
CPC H01Q 7/00; H01Q 13/10; H01Q 9/285;
H01Q 19/30; H01Q 19/12; H01Q 1/38;
H04B 1/0475; H04B 1/034; H05K 11/00;
B60N 2/502; H04R 5/033
See application file for complete search history.

- (56) **References Cited**
U.S. PATENT DOCUMENTS
D361,767 S * 8/1995 Tinaphong D14/230
D546,820 S * 7/2007 Oliver D14/230
D546,822 S * 7/2007 Oliver D14/230
D547,306 S * 7/2007 Oliver D14/230

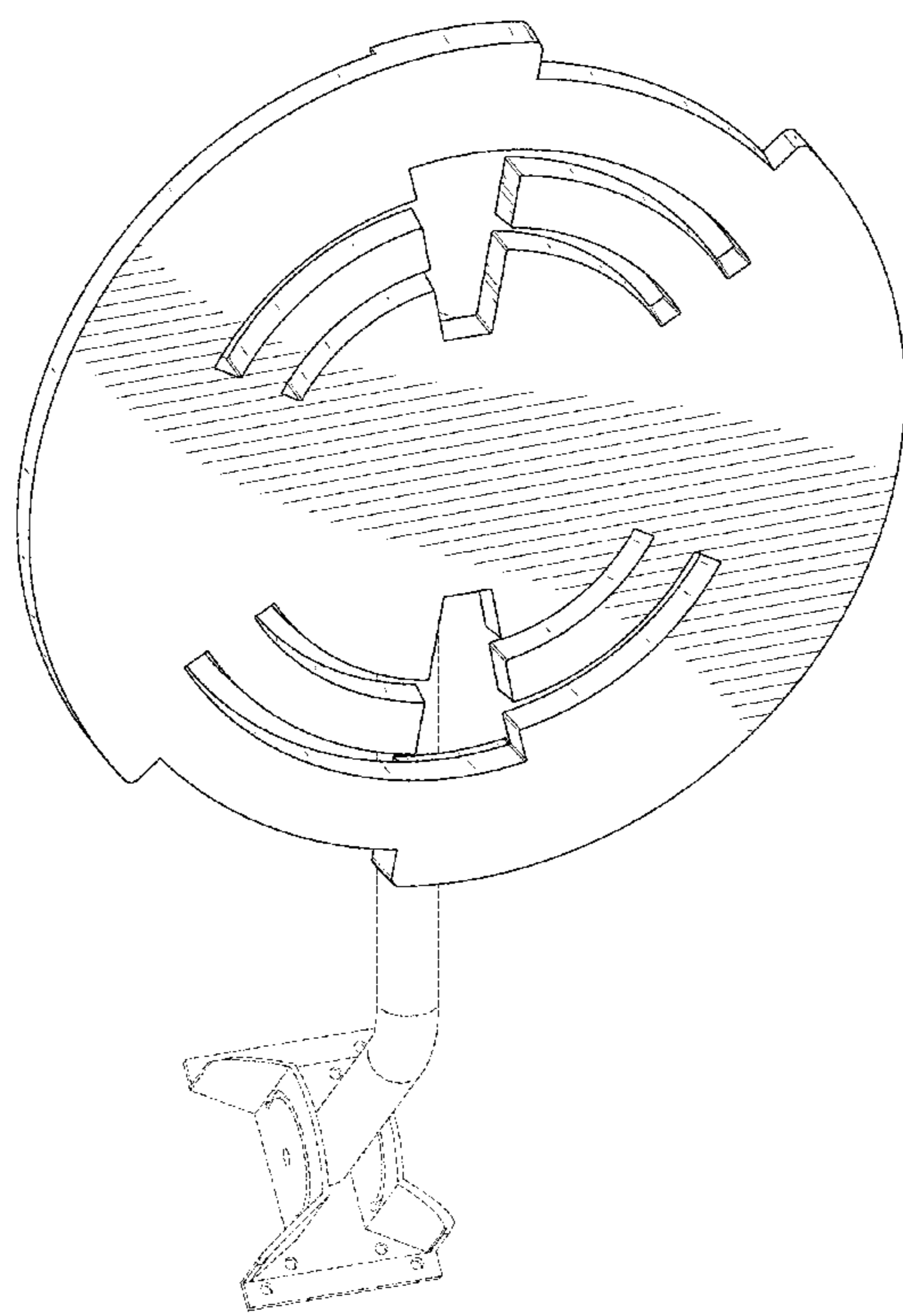
D553,615 S *	10/2007	Courtney	D14/231
D593,549 S *	6/2009	Lucas	D14/231
D631,873 S *	2/2011	Jin	D14/231
D729,214 S *	5/2015	Beaudoin	D14/230
D829,696 S *	10/2018	Wallace	D14/233
D860,168 S *	9/2019	Yang	D14/216
2004/0001024 A1 *	1/2004	Killen	H01Q 9/0442 343/792.5
2006/0262023 A1 *	11/2006	Engargiola	H01Q 9/27 343/792.5
2007/0052612 A1 *	3/2007	Trajkovic	H01Q 3/08 343/840

* cited by examiner
Primary Examiner — John Windmuller
(74) *Attorney, Agent, or Firm* — Bodner & O'Rourke,
LLP; Gerald T. Bodner; Christian P. Bodner

(57) **CLAIM**
The ornamental design of a television antenna, substantially
as shown and described.

DESCRIPTION
FIG. 1 is a front perspective view of a television antenna
showing our new design;
FIG. 2 is a rear perspective view thereof;
FIG. 3 is a front elevational view thereof;
FIG. 4 is a rear elevational view thereof;
FIG. 5 is a left elevational view thereof;
FIG. 6 is a right elevational view thereof;
FIG. 7 is a top plan view thereof; and,
FIG. 8 is a bottom plan view thereof.
The broken lines and portions contained within are not
claimed.

1 Claim, 6 Drawing Sheets



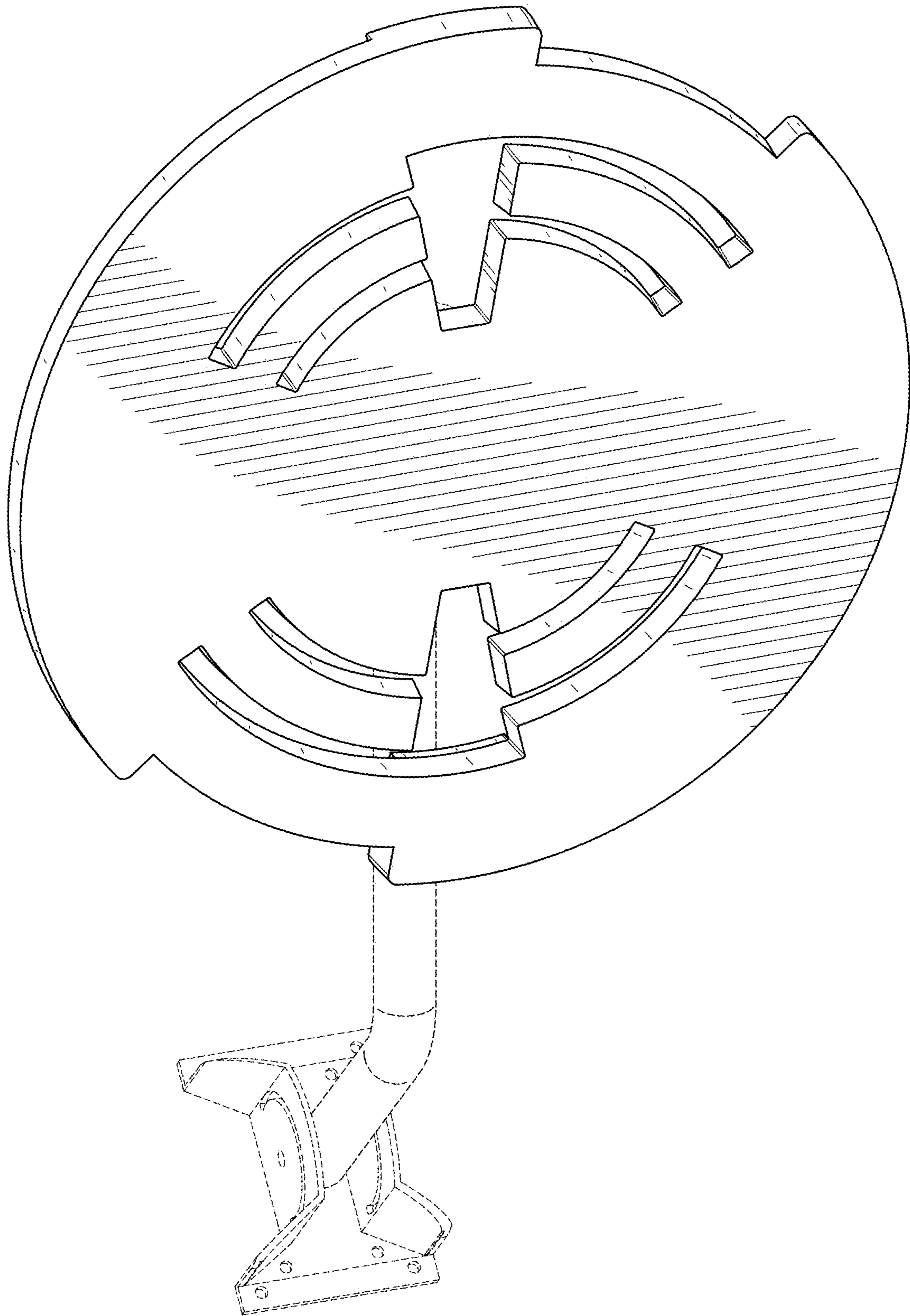


FIG. 1

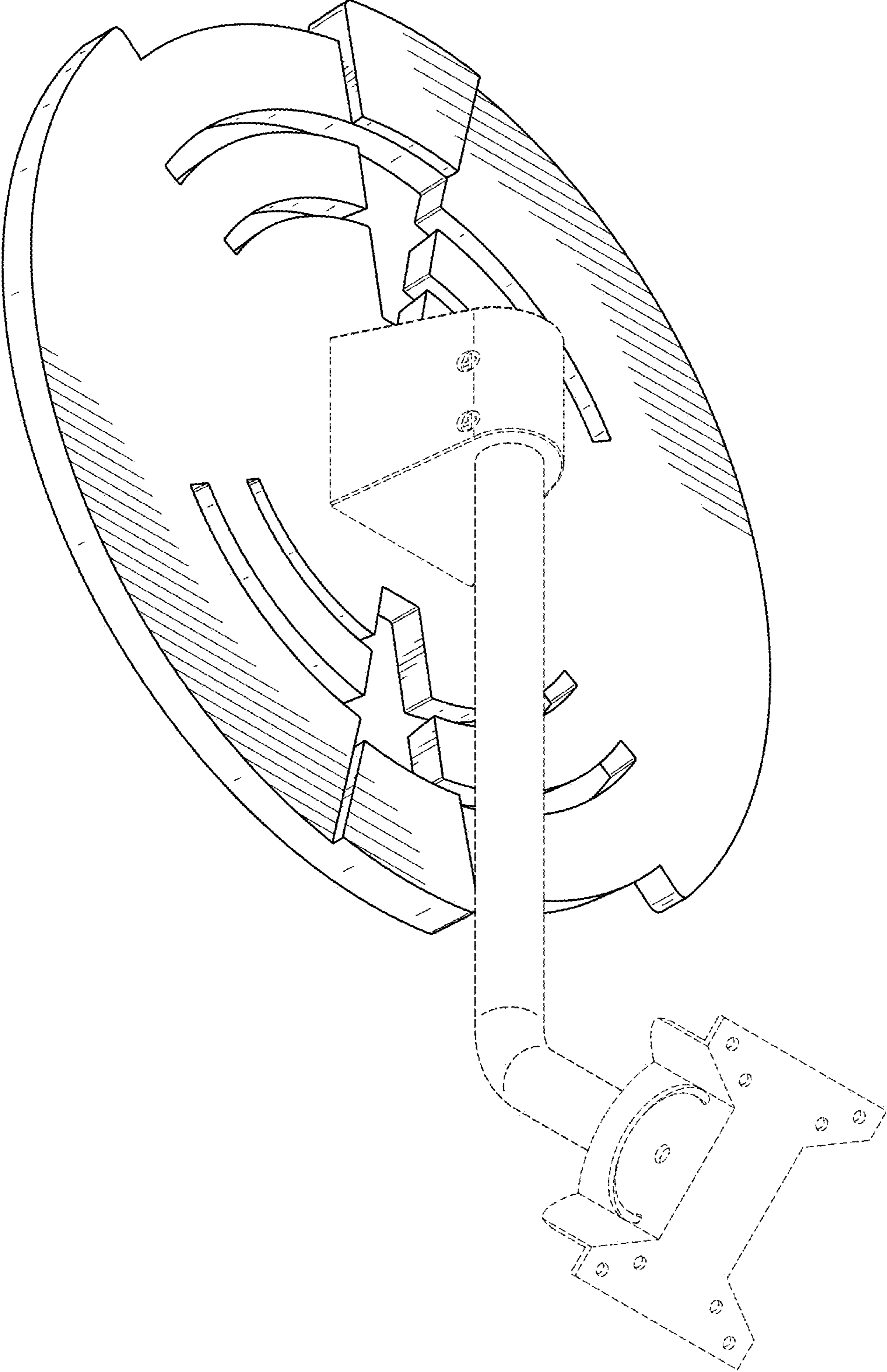


FIG. 2

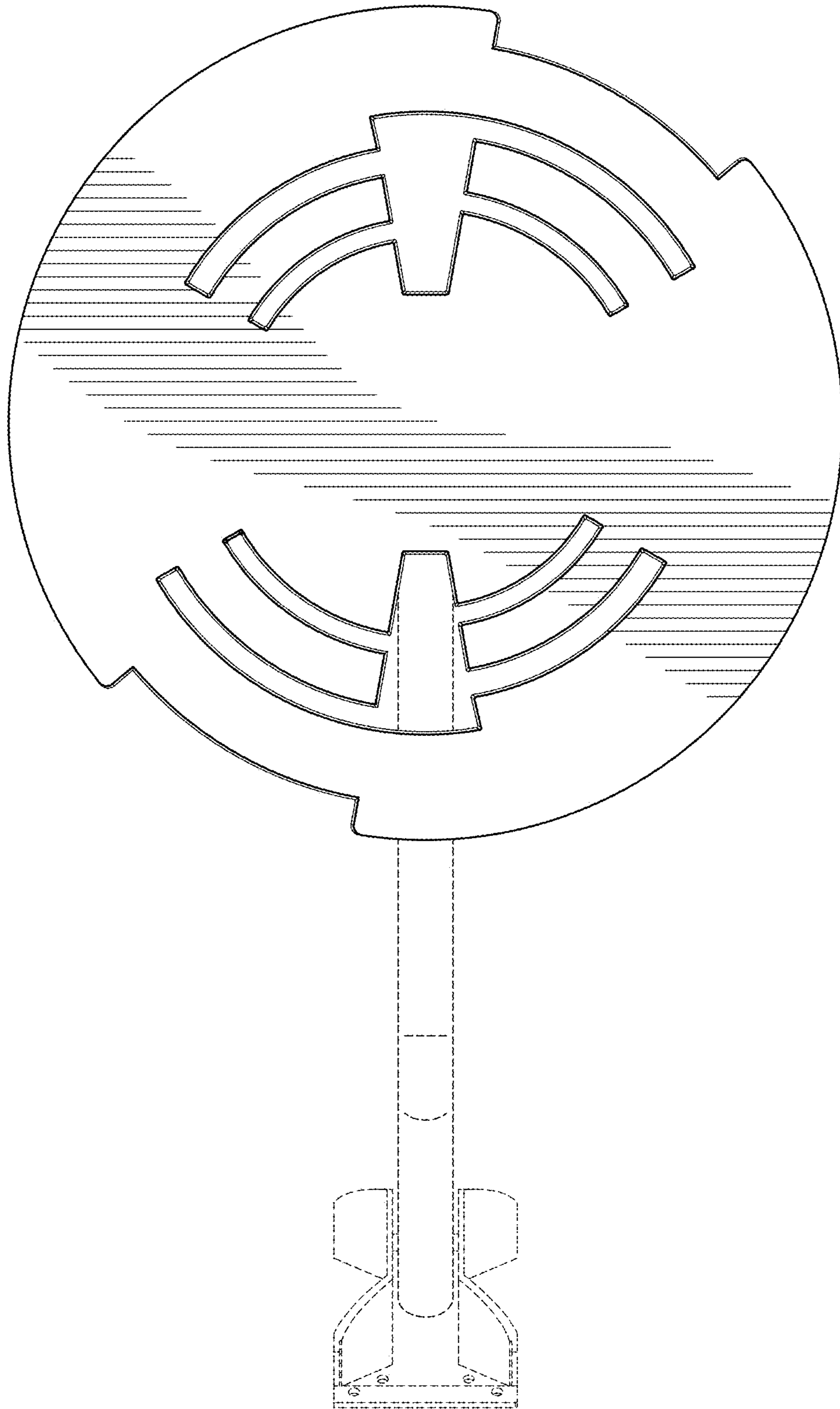


FIG. 3

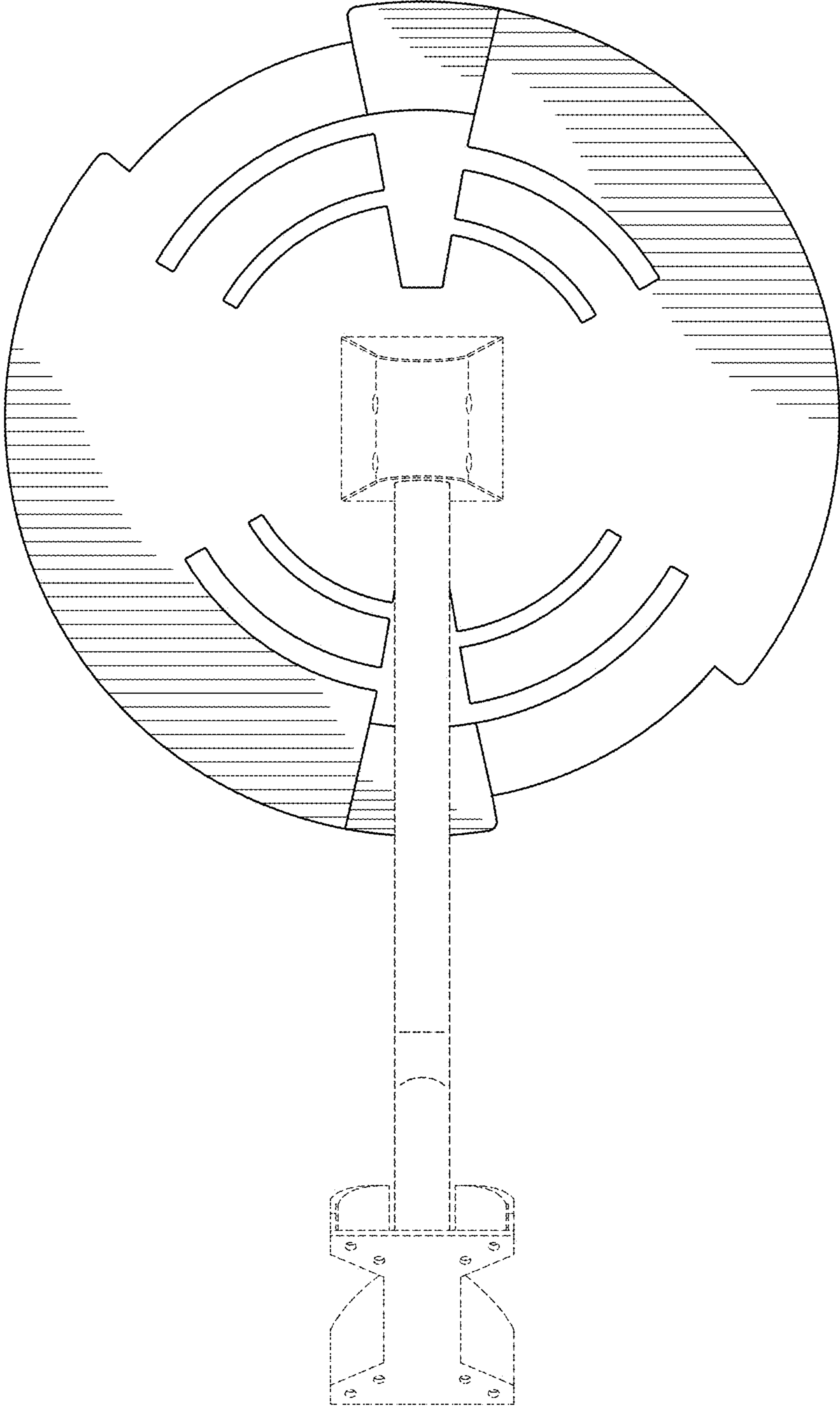


FIG. 4

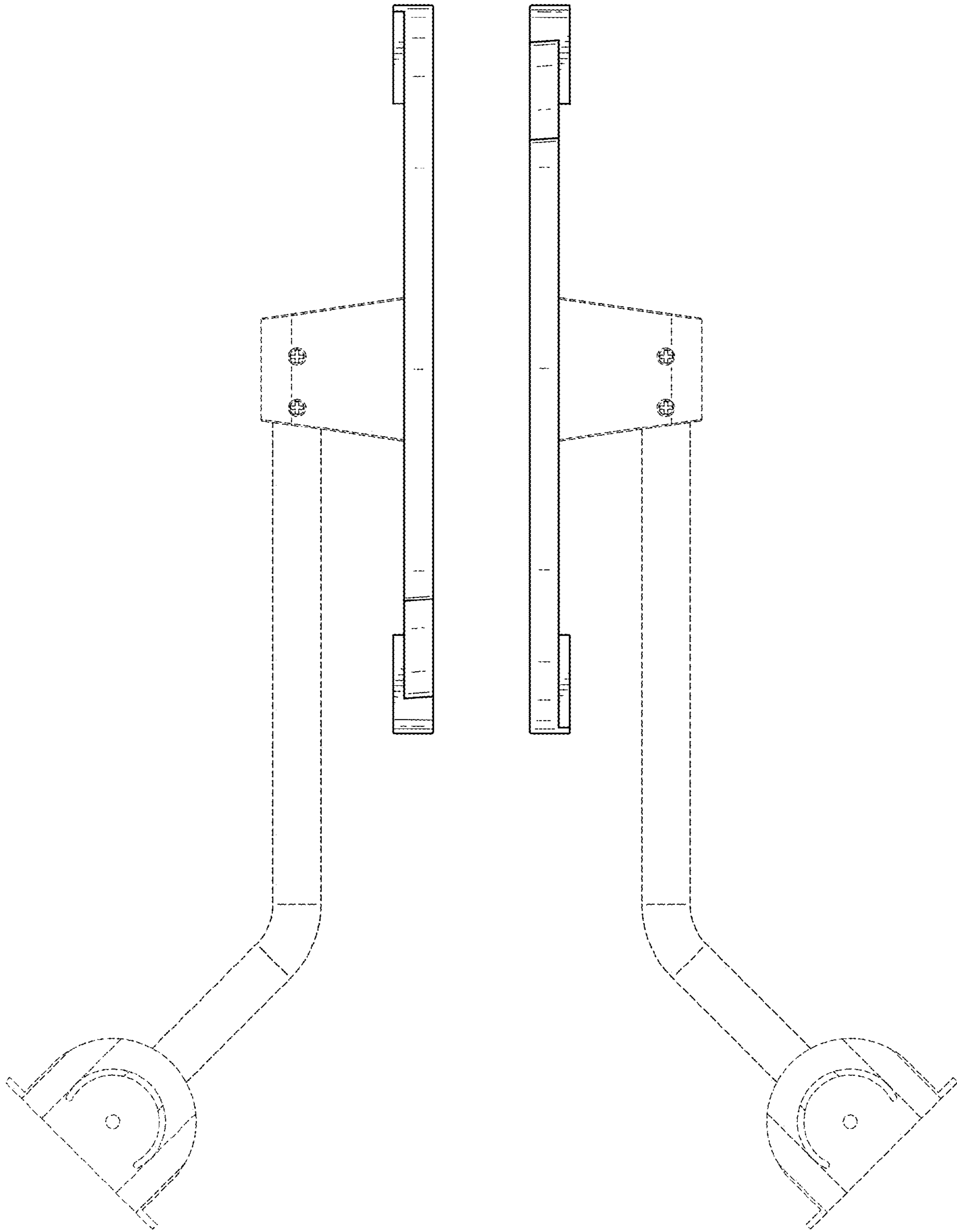


FIG. 5

FIG. 6

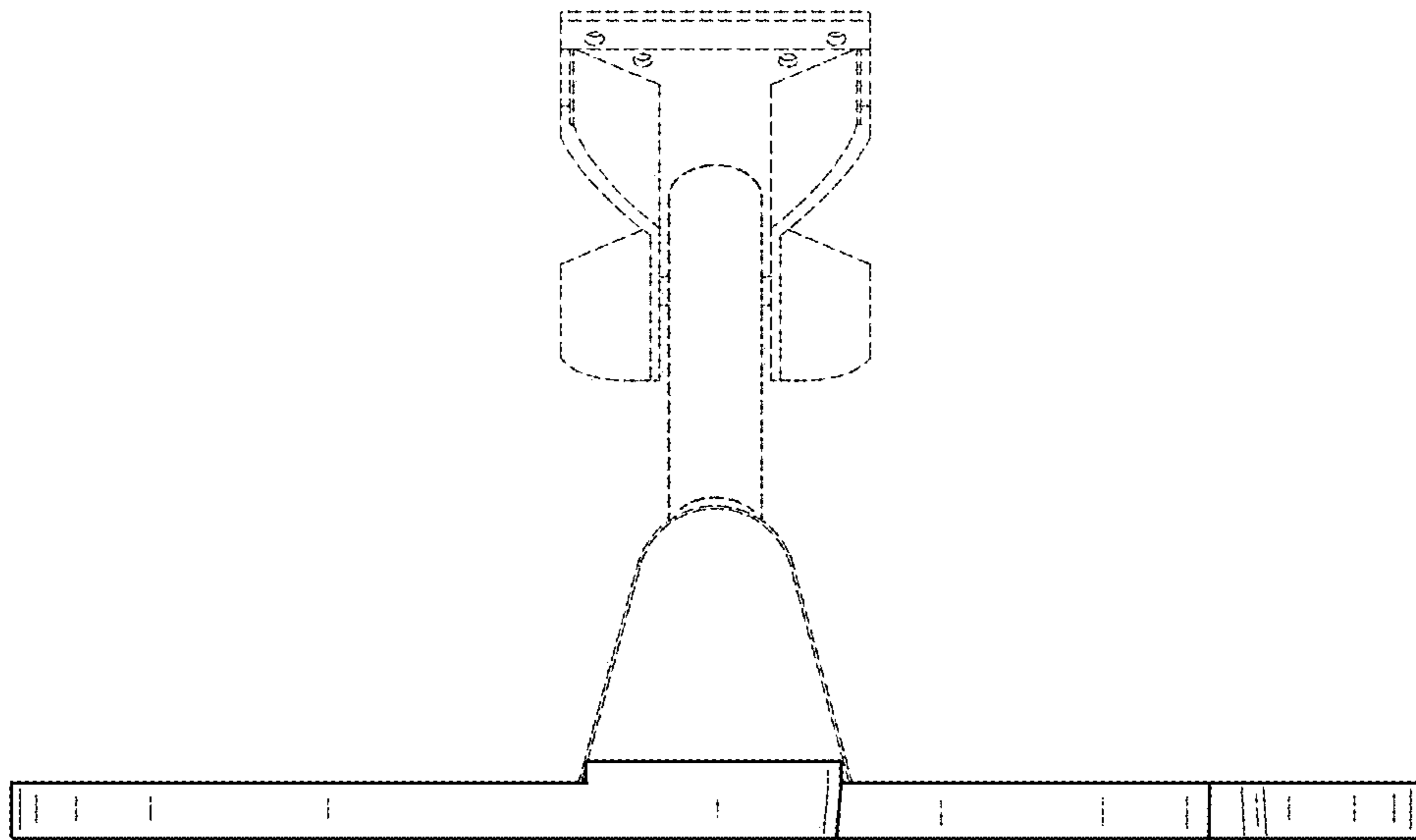


FIG. 7

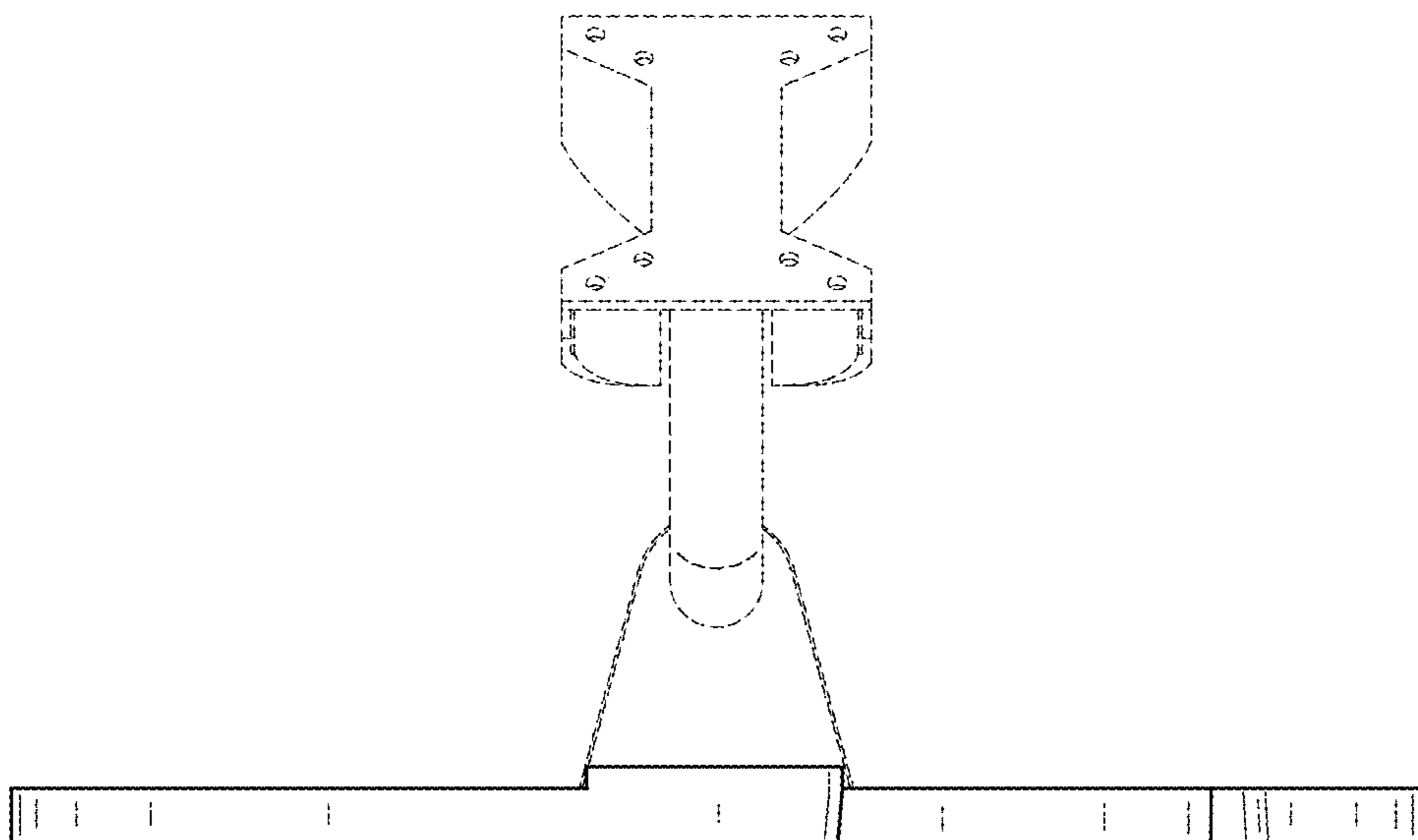


FIG. 8