



US00D928749S

(12) **United States Design Patent**
Jiang

(10) **Patent No.:** **US D928,749 S**

(45) **Date of Patent:** **** Aug. 24, 2021**

(54) **VEHICLE MICROPHONE KIT**
(71) Applicant: **Weijun Jiang**, Ningbo (CN)
(72) Inventor: **Weijun Jiang**, Ningbo (CN)
(73) Assignee: **NINGBO KEPO ELECTRONICS CO., LTD.**, Ningbo (CN)
(**) Term: **15 Years**

3,403,369 A * 9/1968 Steiff H01R 12/727
439/79
3,851,123 A * 11/1974 Lipinski H04R 1/10
455/351
4,168,874 A * 9/1979 Weidler H01R 4/2462
439/557
4,188,505 A * 2/1980 O'Connor H01R 13/26
439/676
4,223,177 A * 9/1980 Nakamura H05K 5/0095
174/563

(Continued)

(21) Appl. No.: **29/706,024**
(22) Filed: **Sep. 17, 2019**
(51) **LOC (13) Cl.** **14-01**
(52) **U.S. Cl.**
USPC **D14/226**
(58) **Field of Classification Search**
USPC D14/226, 225, 256, 217, 432, 433, 188,
D14/240, 242, 357, 147; D13/138.1, 152,
D13/147, 133, 108; 439/676, 350, 353,
439/354; 174/563; 455/351, 344
CPC . H01R 4/24; H01R 13/00; H01R 4/10; H01R
13/648; H04R 1/06; H04R 9/08; H04R
19/04; H04R 19/00; H04R 25/00; H04R
1/02; H04R 5/02; H05K 5/00
See application file for complete search history.

FOREIGN PATENT DOCUMENTS

CN 305412669 * 11/2019
CN 305567847 * 1/2020
CN 306155493 * 11/2020

Primary Examiner — Paula Allen Greene
(74) *Attorney, Agent, or Firm* — Jiwen Chen; Jacobson
Holman PLLC

(57) **CLAIM**

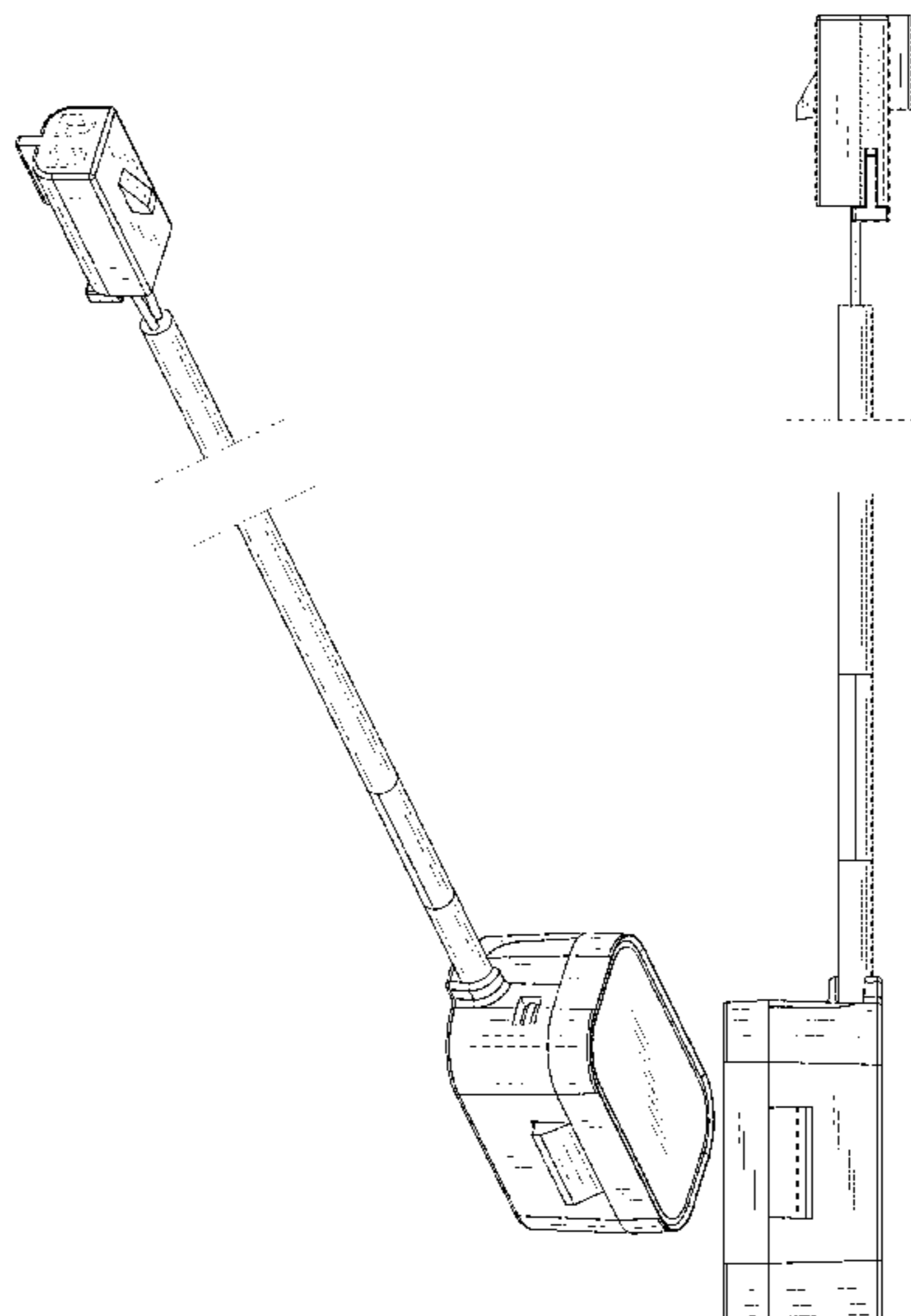
The ornamental design for a vehicle microphone kit, as shown and described.

DESCRIPTION

FIG. 1 is a perspective view of the vehicle microphone kit showing the design;
FIG. 2 is a left side view thereof;
FIG. 3 is a right side view thereof;
FIG. 4 is a front elevational view thereof;
FIG. 5 is a rear elevational view thereof;
FIG. 6 is a bottom plan view thereof; and,
FIG. 7 is a top plan view thereof.
The broken lines to the connector in FIGS. 1 and 7 depict environment that forms no part of the claimed design. The cord in FIGS. 1 through 5 is shown with a symbolic break in its length. The appearance of any portion of the cord in between the break lines forms no part of the claimed design.

(56) **References Cited**
U.S. PATENT DOCUMENTS
2,508,918 A * 5/1950 Hines, Jr. H04B 1/086
455/351
2,521,423 A * 9/1950 Stuck H04B 1/088
455/170.1
2,710,345 A * 6/1955 Stephens H04B 1/0343
455/100
2,938,190 A * 5/1960 Krehbiel H01R 13/28
439/682
3,137,535 A * 6/1964 Collier H01R 13/64
439/350
3,289,145 A * 11/1966 Frompovicz H01R 13/74
439/357

1 Claim, 4 Drawing Sheets



(56)

References Cited

U.S. PATENT DOCUMENTS

4,241,974 A * 12/1980 Hardesty H01R 31/02
439/638
4,261,633 A * 4/1981 Abernethy H01R 27/00
439/406
4,290,664 A * 9/1981 Davis H01R 31/02
439/638
4,325,142 A * 4/1982 Nakazawa H04B 1/385
455/346
4,590,337 A * 5/1986 Engelmores H04M 1/02
191/12 R
4,626,057 A * 12/1986 Knickerbocker H01R 24/62
439/353
4,648,682 A * 3/1987 Tubbs H01R 24/542
439/391
D290,598 S * 6/1987 Jaffe D13/160
D297,518 S * 9/1988 Yuen D10/106.1
D304,028 S * 10/1989 Matsuzaki D13/147
D308,664 S * 6/1990 Freeman D13/152
4,946,401 A * 8/1990 Hori H01R 13/502
439/133
4,975,078 A * 12/1990 Stroede H01R 4/2433
439/405
D314,746 S * 2/1991 Benjamin D13/133
D321,503 S * 11/1991 Ditzig D13/133
5,087,208 A * 2/1992 Chang H01R 24/62
439/224
5,106,306 A * 4/1992 Ditzig H01R 39/64
439/26
5,183,967 A * 2/1993 Lin H04M 1/0293
174/59
D338,654 S * 8/1993 Ditzig D13/147
D341,363 S * 11/1993 Chambers D14/240
5,328,390 A * 7/1994 Johnston H01R 31/02
439/638
D354,953 S * 1/1995 Kazufimi D14/242
D355,891 S * 2/1995 Ditzig D13/147
5,391,095 A * 2/1995 Born H01R 24/64
439/676
D356,571 S * 3/1995 Garmon D14/225
D357,257 S * 4/1995 Kuo D13/147

D363,700 S * 10/1995 Buongervino D13/147
D373,567 S * 9/1996 Rak D13/133
D378,674 S * 4/1997 Volansky D13/147
5,639,262 A * 6/1997 Lim H01R 31/06
439/607.38
D391,922 S * 3/1998 Aromin D13/160
6,007,384 A * 12/1999 Kraemer H01R 9/0512
439/465
D418,481 S * 1/2000 Lin D13/152
6,019,641 A * 2/2000 Kan H01R 13/6461
439/676
D424,528 S * 5/2000 Dernehl D13/110
D436,927 S * 1/2001 Hogan D13/147
D443,859 S * 6/2001 Hogan D13/133
6,478,629 B1 * 11/2002 Li H01R 24/58
439/668
6,558,197 B1 * 5/2003 Chen H01R 13/6272
439/607.21
D478,563 S * 8/2003 Brown D13/147
D480,688 S * 10/2003 Lin D13/147
D503,389 S * 3/2005 Dabrowski D13/184
D583,806 S * 12/2008 Okazaki D14/225
D600,652 S * 9/2009 Hong D13/154
D620,482 S * 7/2010 Chen D14/225
D641,363 S * 7/2011 Dublin D14/356
D661,281 S * 6/2012 Mahaffy D14/206
D673,908 S * 1/2013 Koch D13/108
D706,248 S * 6/2014 Myung D14/240
D709,032 S * 7/2014 Akana D13/147
D734,259 S * 7/2015 Cepress D13/110
D735,132 S * 7/2015 Donohue, II D13/108
D815,599 S * 4/2018 Kobayashi D13/147
D817,889 S * 5/2018 Akana D13/147
D835,080 S * 12/2018 Chen D14/226
D876,361 S * 2/2020 Hu D13/133
D884,638 S * 5/2020 Kim D13/133
D887,361 S * 6/2020 Tak D13/138.1
D890,151 S * 7/2020 Gao D14/240
D896,220 S * 9/2020 Wu D14/357
D904,417 S * 12/2020 Cueto D14/480.1
2019/0084828 A1 * 3/2019 Albers H04R 1/086
2020/0213740 A1 * 7/2020 Colloca H04R 31/003

* cited by examiner

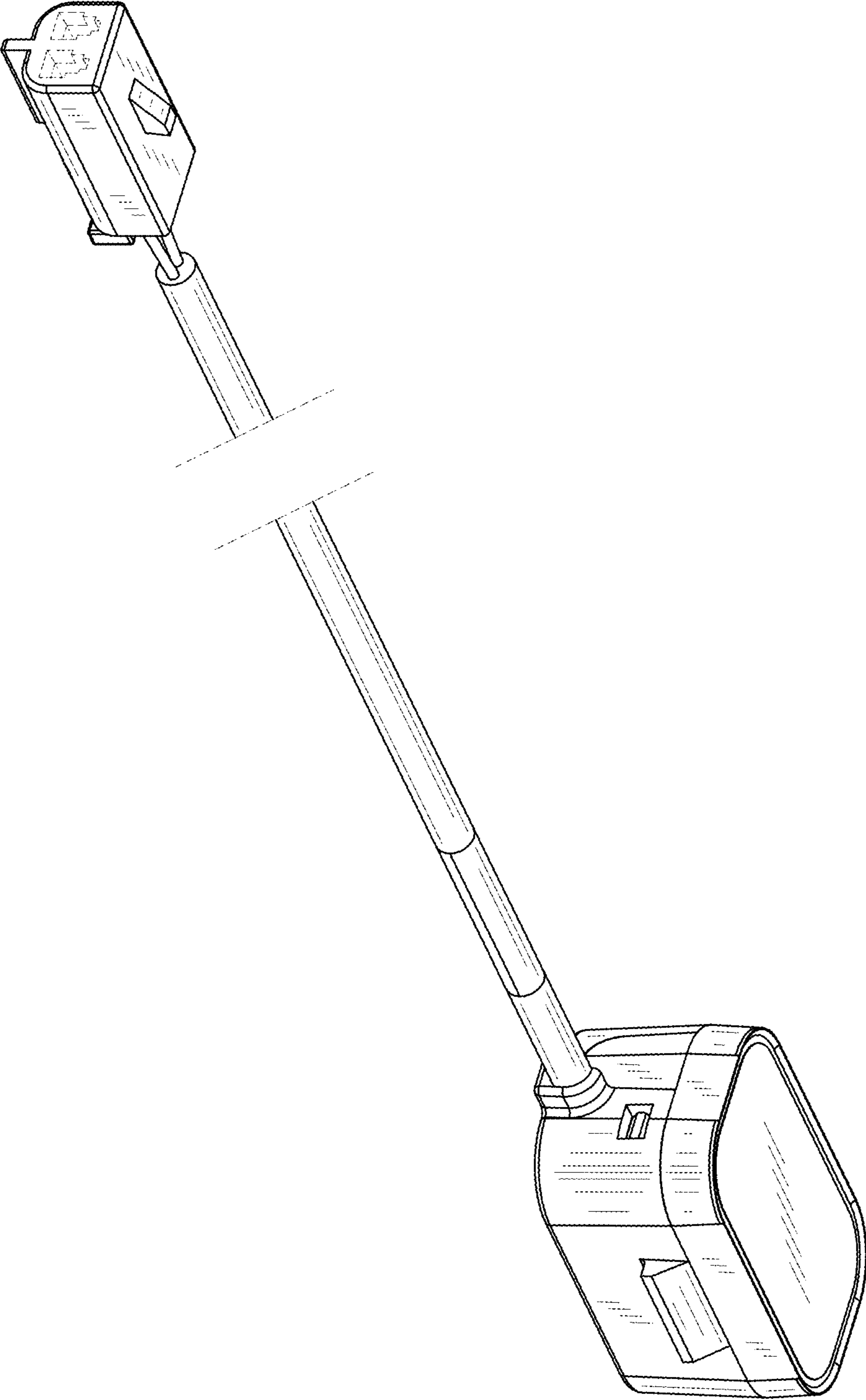


FIG. 1

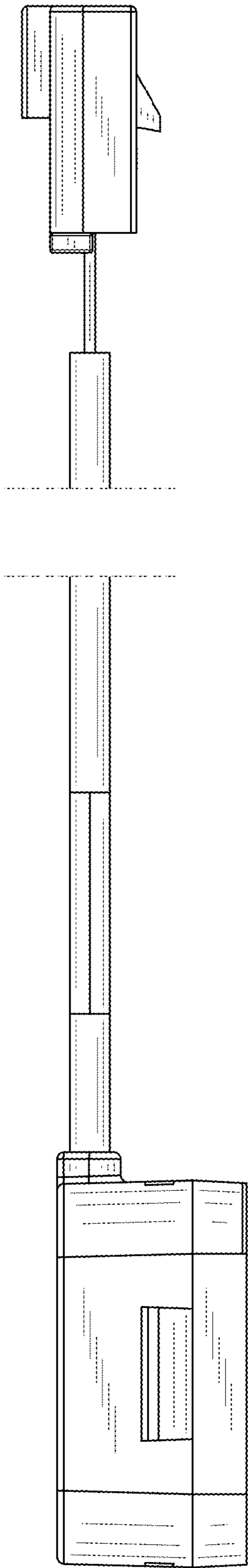


FIG. 2

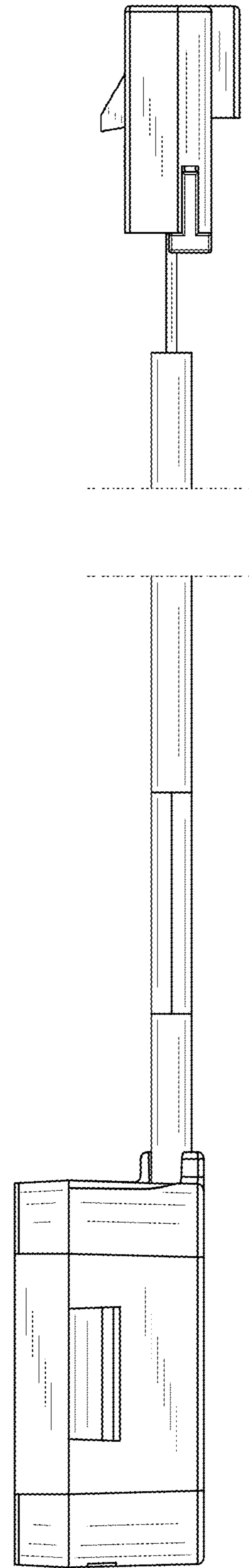


FIG. 3

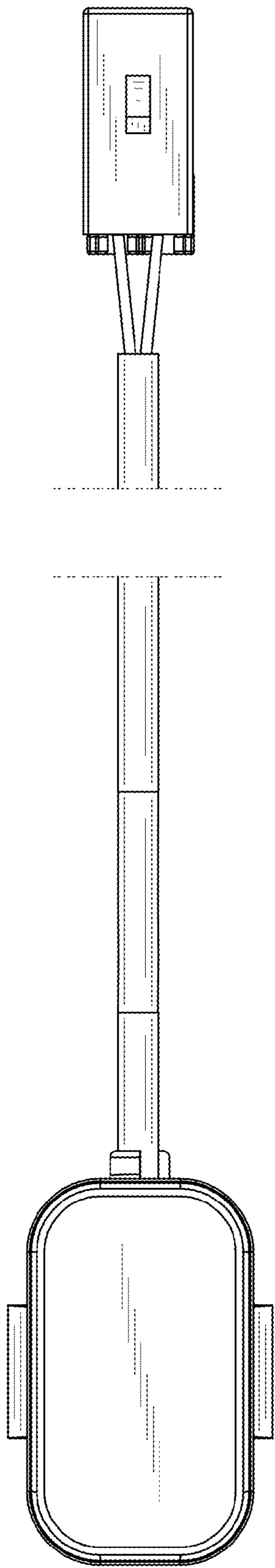


FIG. 4

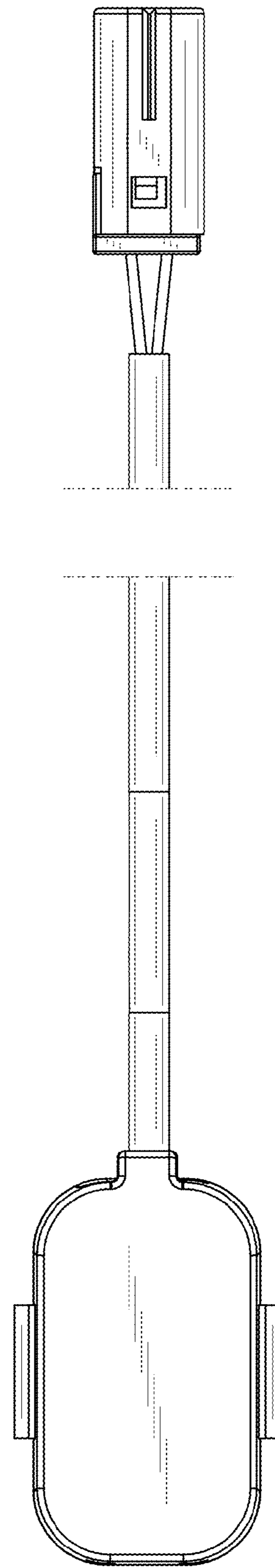


FIG. 5

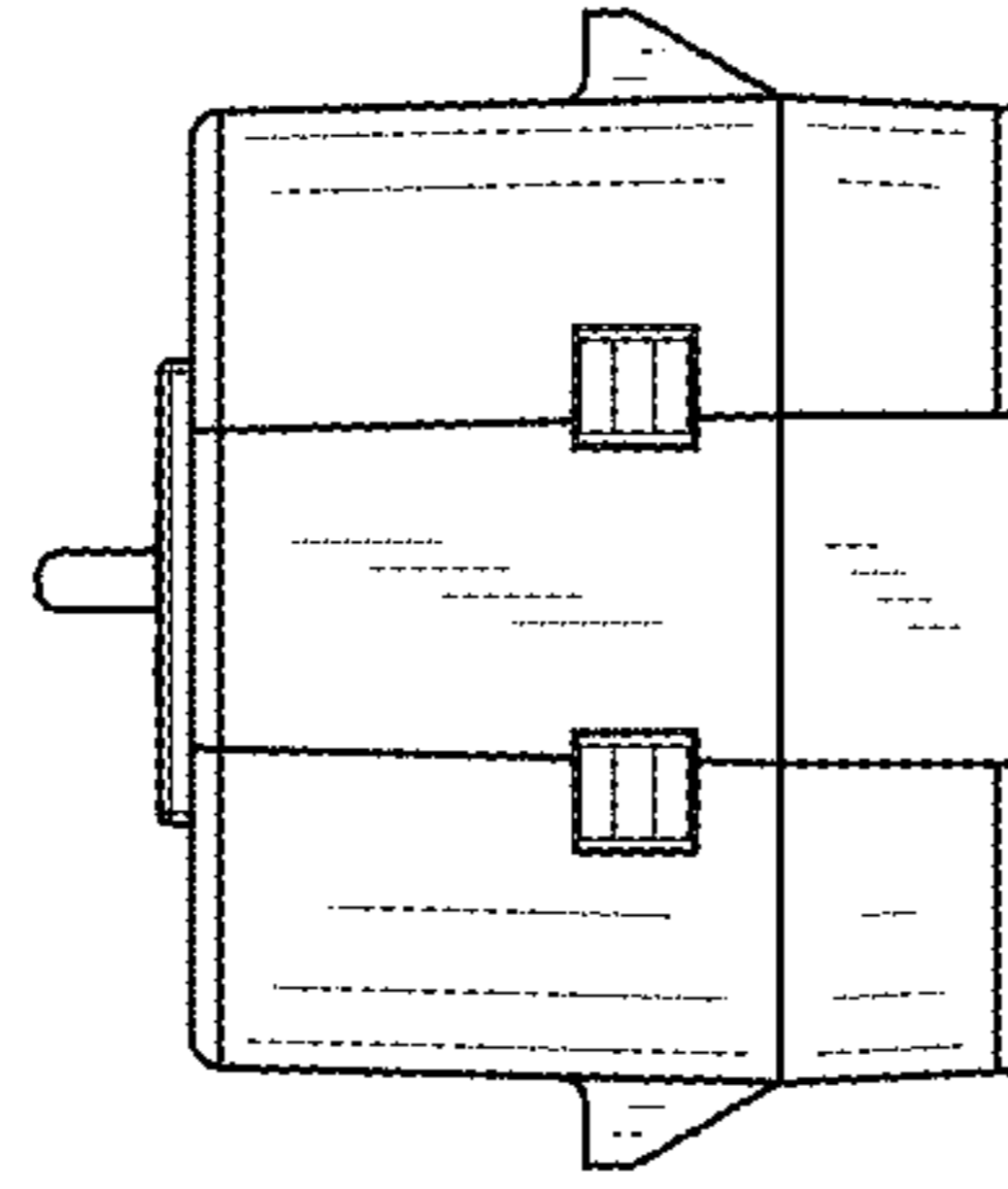


FIG. 6

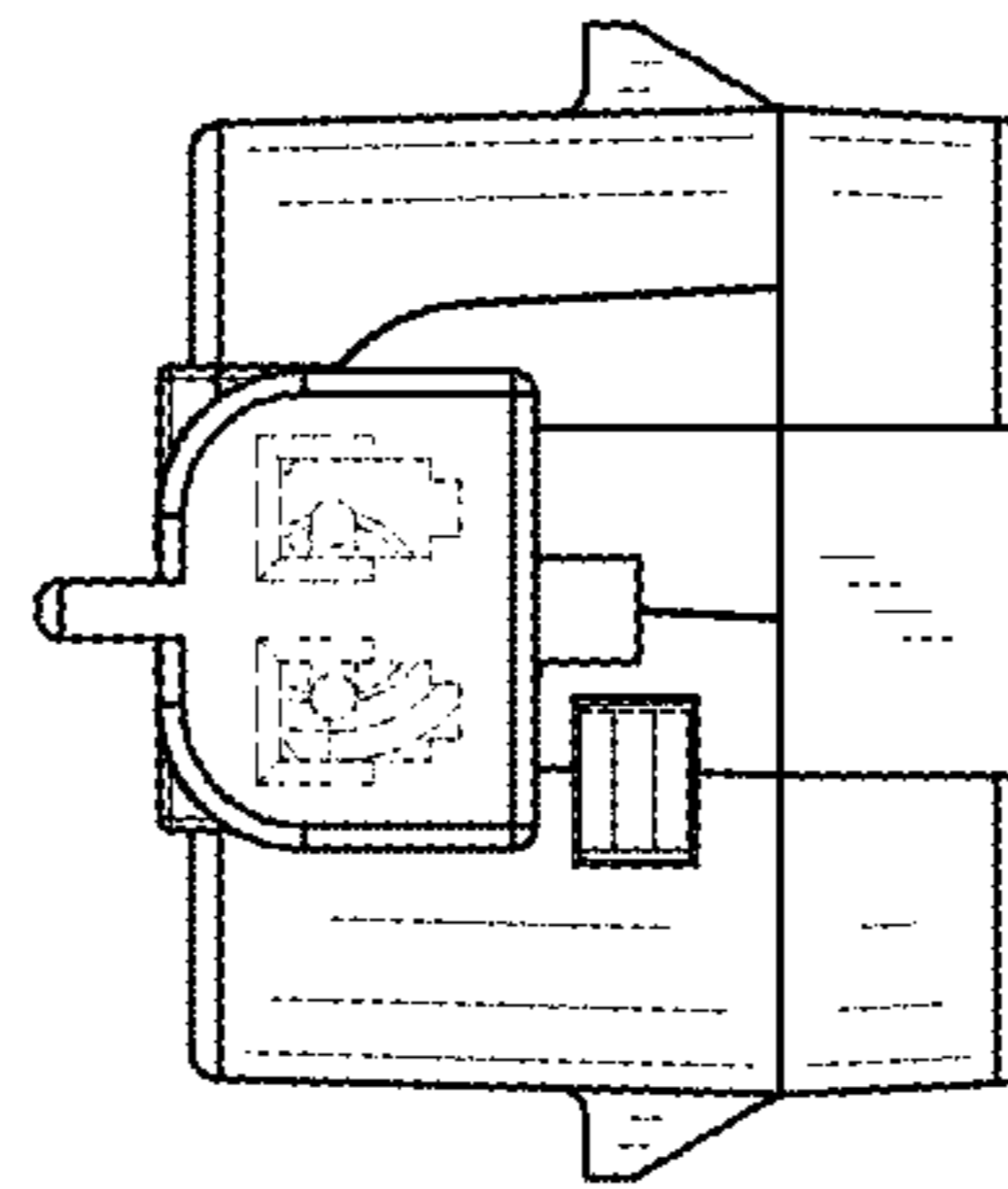


FIG. 7