



US00D928748S

(12) **United States Design Patent**
Jia

(10) **Patent No.:** **US D928,748 S**

(45) **Date of Patent:** **** Aug. 24, 2021**

- (54) **WIRELESS MICROPHONE**
- (71) Applicant: **Shenzhen Jiayz Photo Industrial, Ltd., Shenzhen (CN)**
- (72) Inventor: **Yingzhi Jia, Shenzhen (CN)**
- (73) Assignee: **Shenzhen Jiayz Photo Industrial, Ltd., Shenzhen (CN)**
- (**) Term: **15 Years**
- (21) Appl. No.: **29/710,350**
- (22) Filed: **Oct. 22, 2019**
- (30) **Foreign Application Priority Data**

Apr. 22, 2019 (CN) 201930786785.X

- (51) **LOC (13) Cl.** **14-01**
- (52) **U.S. Cl.**
USPC **D14/225**
- (58) **Field of Classification Search**
USPC D14/225, 226, 217, 206, 188, 197, 155,
D14/162, 240, 242; D13/146, 147, 154;
381/355, 356, 369, 423; 455/90, 3,
455/575.1, 569.1; 24/11 R, 11 C, 531;
40/334
CPC . H04R 1/10; H04R 25/00; H04R 5/02; H04R
19/04; H04R 1/08; H04R 1/04; H04R
1/02; H04R 1/1083; H04R 3/00; H04R
11/04
See application file for complete search history.

- (56) **References Cited**
U.S. PATENT DOCUMENTS
997,022 A * 7/1911 Tennant et al. 24/531
1,053,663 A * 2/1913 Snell B43K 25/022
24/11 R
D84,353 S * 8/1930 Larter D19/135

- 2,120,469 A * 6/1938 Kyle F16G 11/08
439/787
- 2,567,602 A * 9/1951 Higgins A45C 1/02
224/231
- 2,826,644 A * 3/1958 Pease H03G 3/02
455/232.1
- 2,910,539 A * 10/1959 Hartsfield H04R 19/04
381/174
- D212,003 S * 8/1968 Roberts D14/155
- D212,006 S * 8/1968 Roberts D14/155
- 4,082,409 A * 4/1978 Bailey H01R 31/00
439/638
- 4,429,436 A * 2/1984 Jensen F16B 7/18
172/713
- D278,746 S * 5/1985 Saynajakangas D10/31
(Continued)

FOREIGN PATENT DOCUMENTS

- CN 305819887 * 6/2020
- CN 305920661 * 7/2020
- CN 306223446 * 12/2020

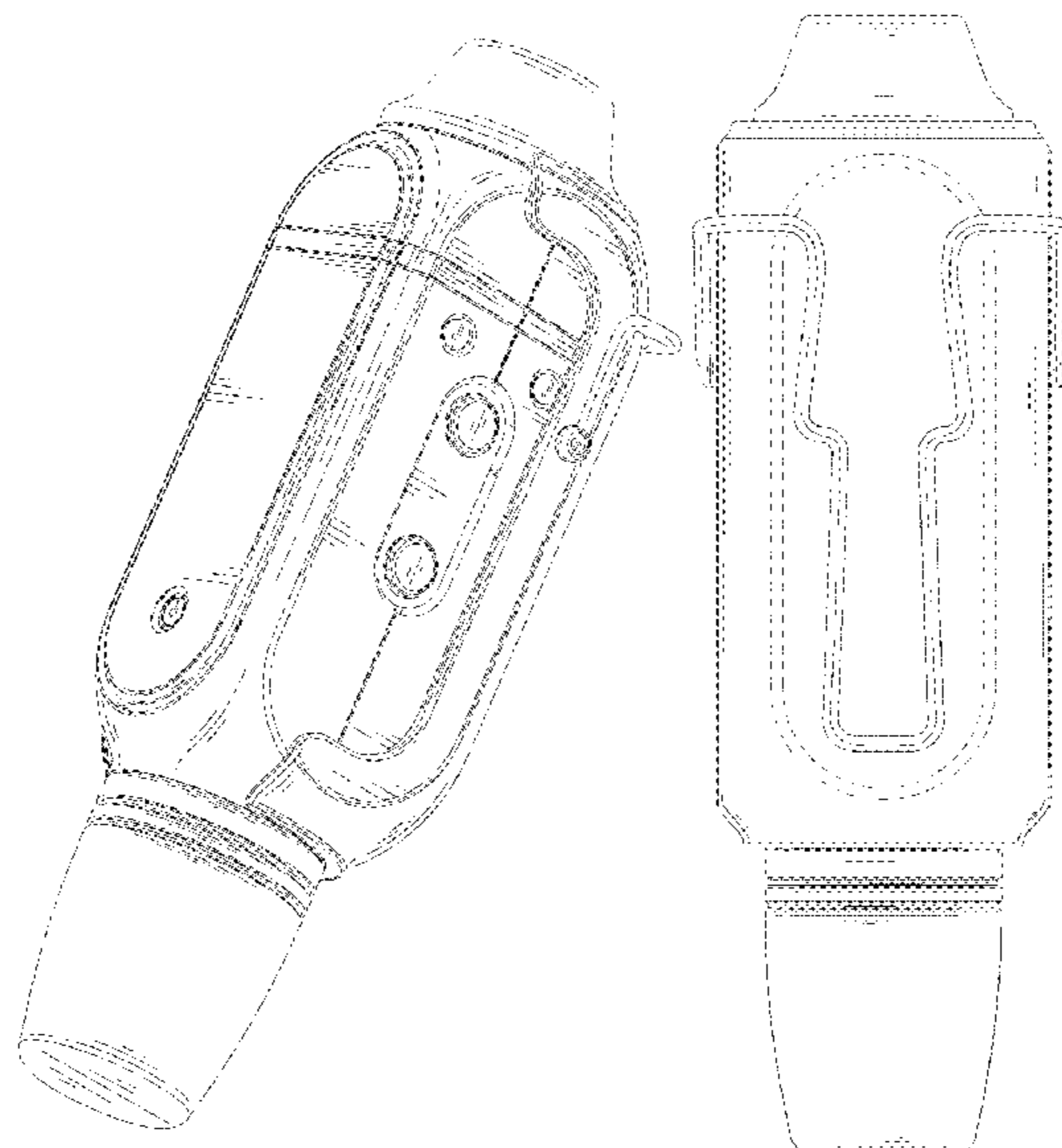
Primary Examiner — Paula Allen Greene
(74) *Attorney, Agent, or Firm* — Robert L. Stearns;
Dickinson Wright, PLLC

(57) **CLAIM**
The ornamental designs for a wireless microphone, as shown and described.

DESCRIPTION

FIG. 1 is a perspective view of a wireless microphone showing my new design;
FIG. 2 is a front view thereof;
FIG. 3 is a rear view thereof;
FIG. 4 is a left side view thereof;
FIG. 5 is a right side view thereof;
FIG. 6 is a bottom view thereof; and,
FIG. 7 is a top view thereof.
The broken lines in the figures depict portions of the wireless microphone that form no part of the claimed design.

1 Claim, 7 Drawing Sheets



(56)

References Cited

U.S. PATENT DOCUMENTS

4,764,961 A * 8/1988 Hung G11B 23/049
381/308
4,944,016 A * 7/1990 Christian G10H 1/32
381/74
5,018,204 A * 5/1991 Christian G10H 1/32
381/118
D323,530 S * 1/1992 Cowan D19/197
5,180,316 A * 1/1993 Miller H01R 13/6592
439/247
D356,571 S * 3/1995 Garmon D14/225
D381,628 S * 7/1997 Ashida D13/147
D420,665 S * 2/2000 Rosenberg D14/188
D442,932 S * 5/2001 Koike D14/155
D446,242 S * 8/2001 Stukenkemper D19/168
6,626,704 B1 * 9/2003 Pikel G06F 3/16
381/189
D489,701 S * 5/2004 Griffin D14/155
D494,217 S * 8/2004 Tien D19/170
D496,030 S * 9/2004 Harbeke D14/225
D500,484 S * 1/2005 Deguchi D14/480.1
D501,192 S * 1/2005 Griffin D14/155
D507,261 S * 7/2005 Griffin D14/226
D515,545 S * 2/2006 Griffin D14/155
D531,619 S * 11/2006 Chau D14/217
D531,991 S * 11/2006 Chau D14/217
D534,149 S * 12/2006 Griffin D14/155
D554,628 S * 11/2007 Aoki D14/226
D574,368 S * 8/2008 Chapman D14/223
D586,333 S * 2/2009 Tkachuk D14/223
D593,488 S * 6/2009 Harrison D13/103

D593,999 S * 6/2009 Mauritzsson D14/223
D599,786 S * 9/2009 Metlen D14/225
D619,558 S * 7/2010 Seil D14/155
D625,294 S * 10/2010 Wada D14/218
8,142,230 B2 * 3/2012 Li H04R 1/1025
439/638
8,588,451 B2 * 11/2013 Matsunaga H04R 19/016
381/355
D705,751 S * 5/2014 Wenger D14/206
D716,758 S * 11/2014 Burgett D14/205
D743,381 S * 11/2015 Pi D14/218
D791,742 S * 7/2017 Lai D14/225
D793,995 S * 8/2017 Nakagawa D14/218
D809,462 S * 2/2018 Mizrahi D13/144
D813,207 S * 3/2018 Shultz D14/225
D830,347 S * 10/2018 Puckett D14/225
D876,412 S * 2/2020 Ueno D14/242
D881,169 S * 4/2020 Renwick D14/228
D885,369 S * 5/2020 Chen D14/217
D898,001 S * 10/2020 Chen D14/228
D902,170 S * 11/2020 Jia D14/155
D909,964 S * 2/2021 Sun D13/108
D916,059 S * 4/2021 Jia D14/225
2011/0199729 A1 * 8/2011 Hsieh H01R 13/193
361/679.33
2011/0216932 A1 * 9/2011 Wu H04R 25/00
381/371
2013/0064406 A1 * 3/2013 Miller H04R 25/00
381/322
2014/0249522 A1 * 9/2014 Adanny A61N 1/0476
606/34
2014/0369548 A1 * 12/2014 Manley H04R 1/2807
381/423

* cited by examiner

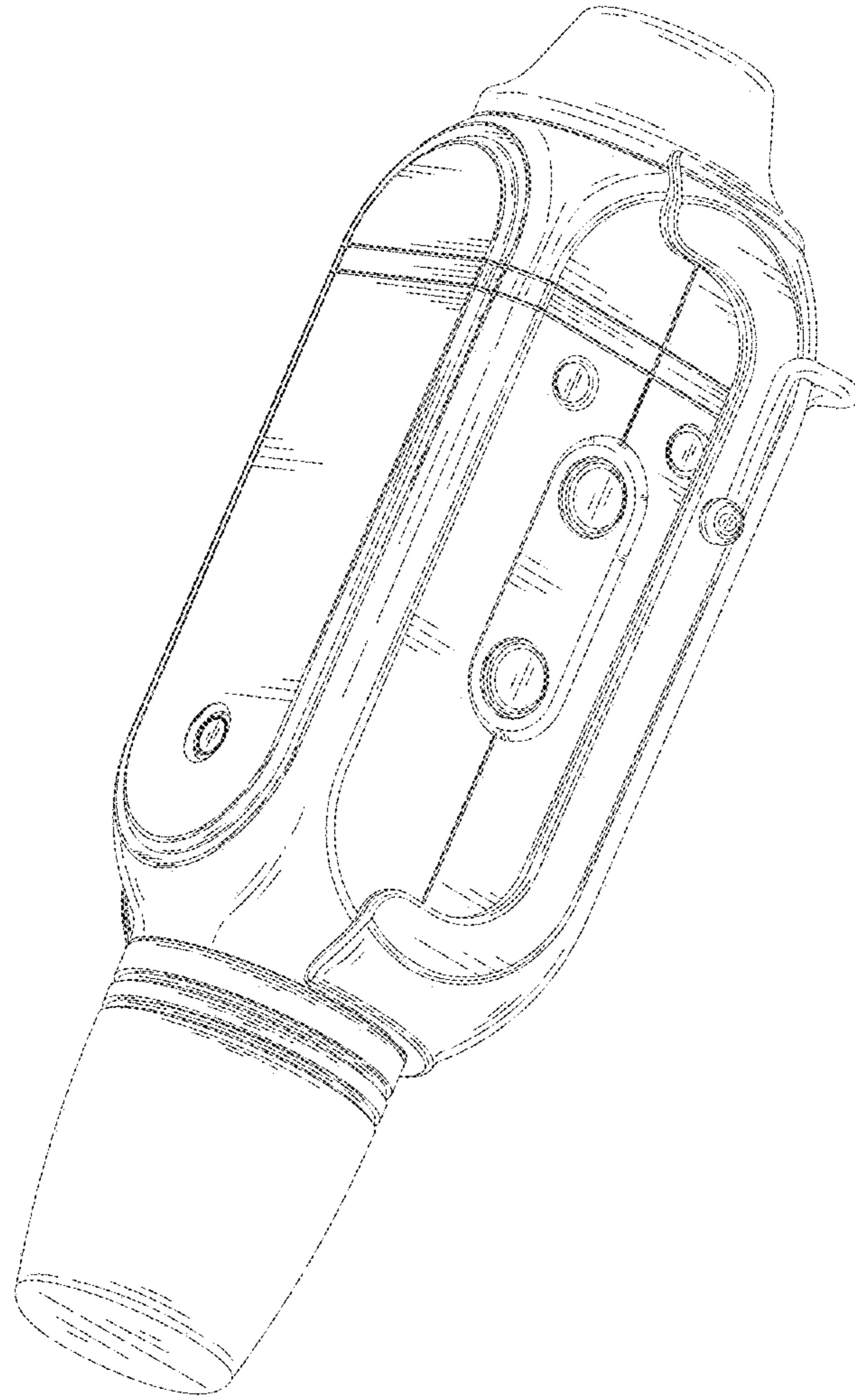


FIG. 1

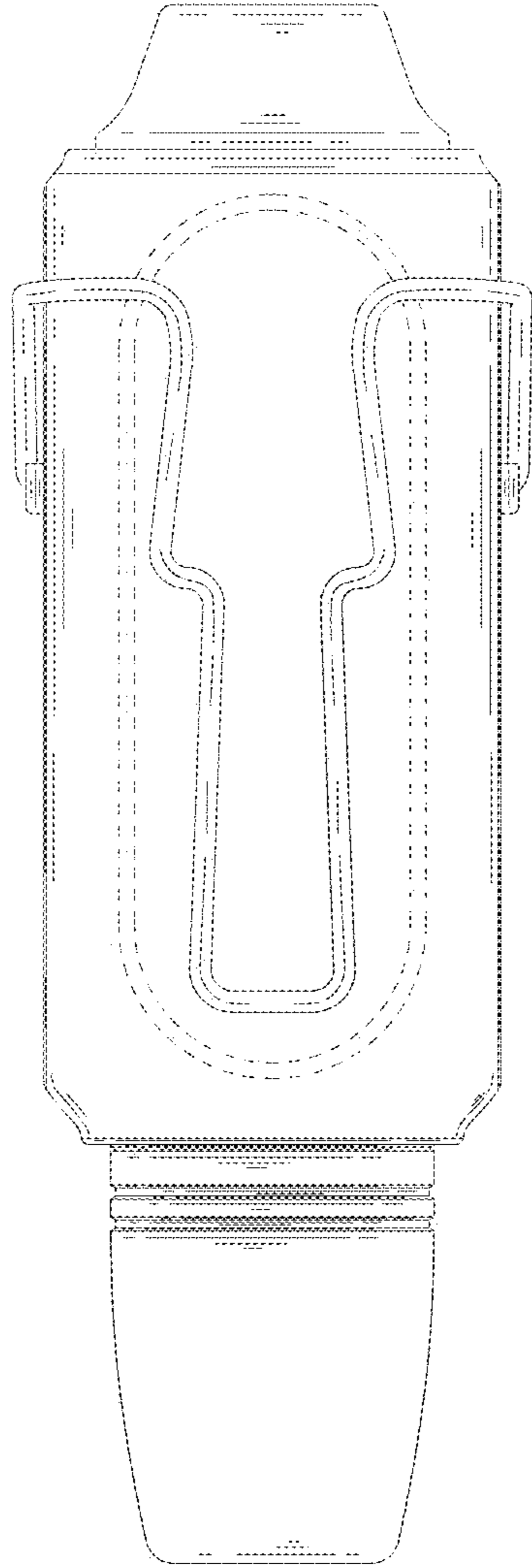


FIG. 2

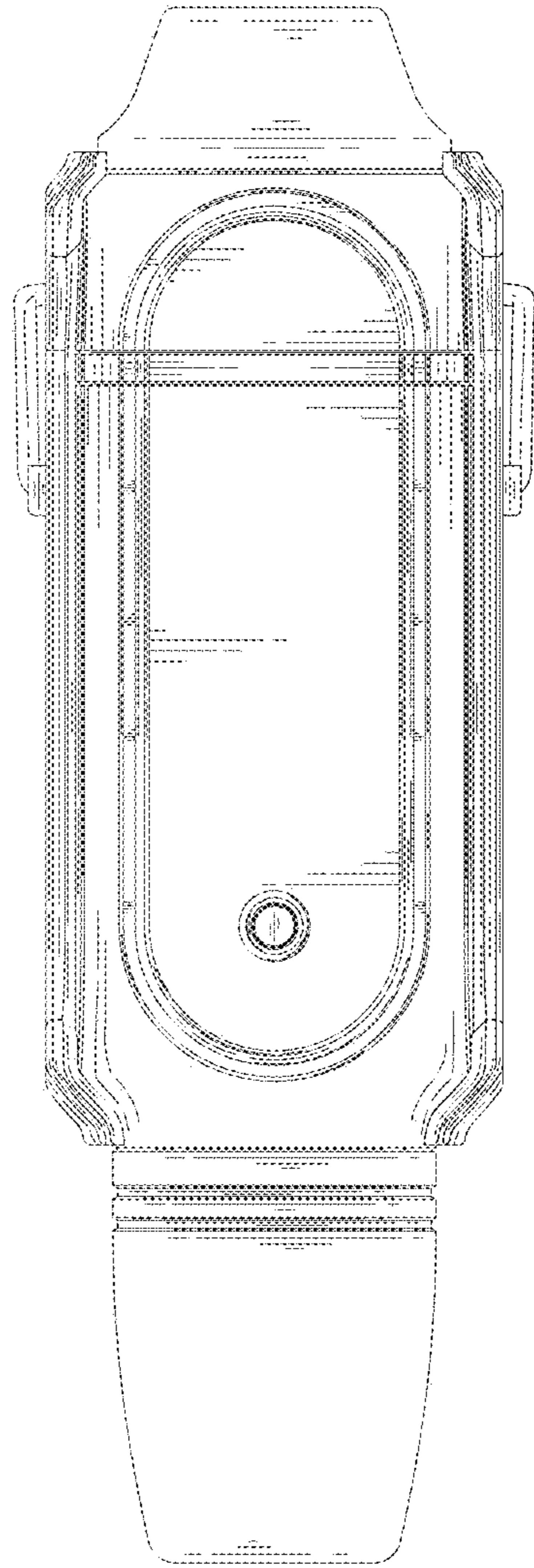


FIG. 3

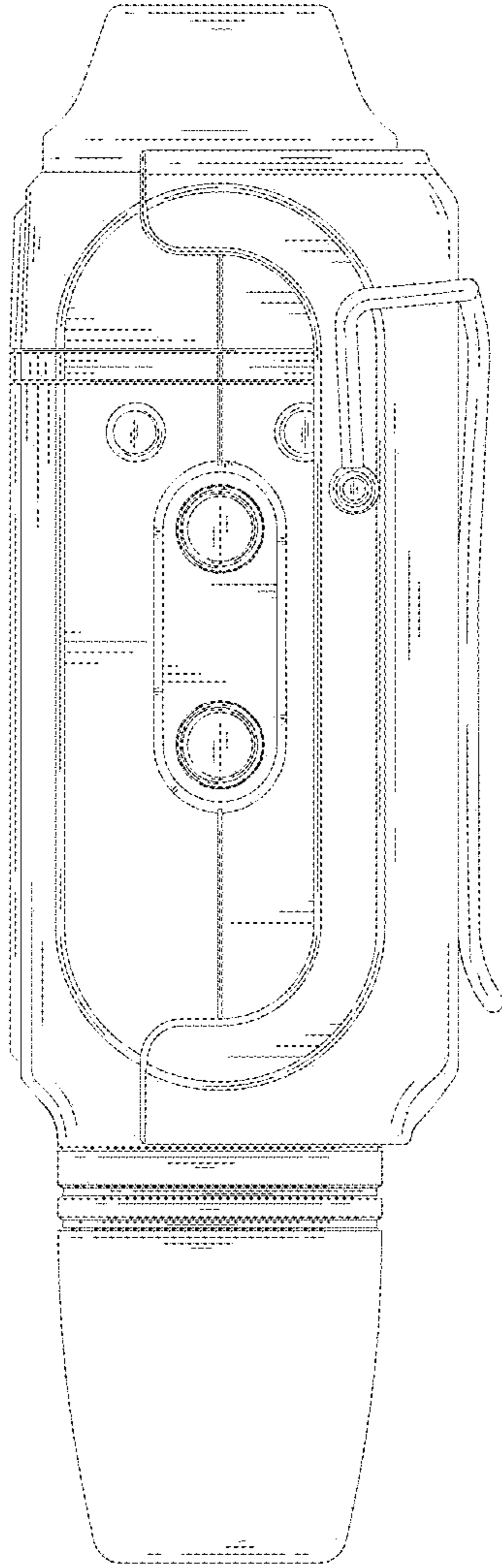


FIG. 4

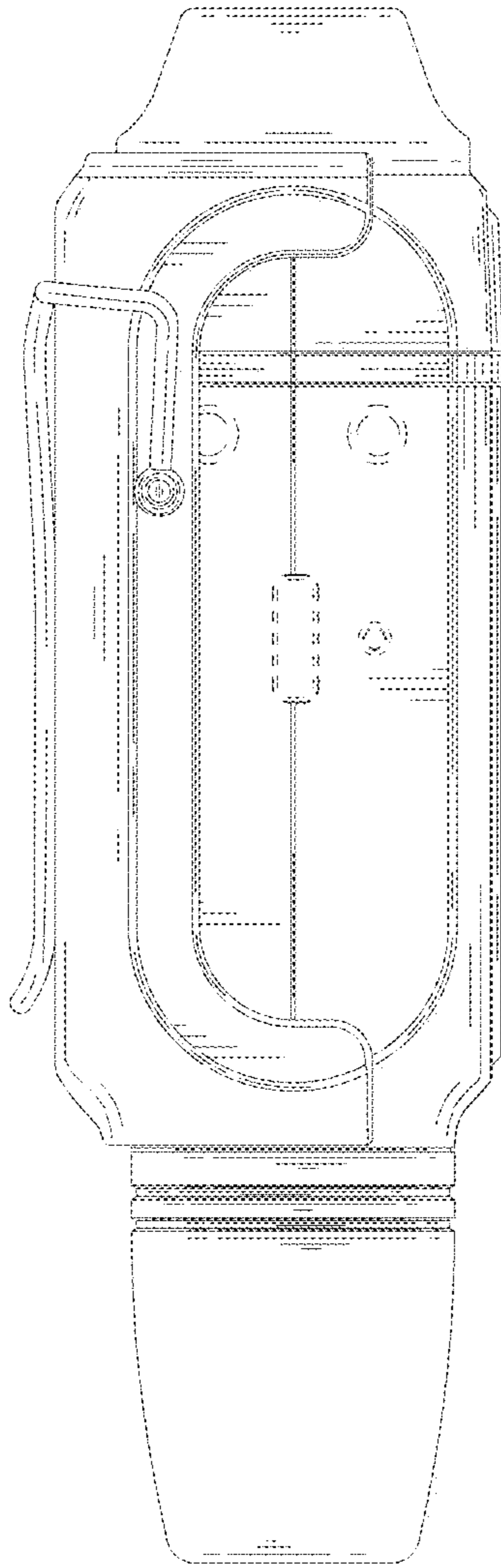


FIG. 5

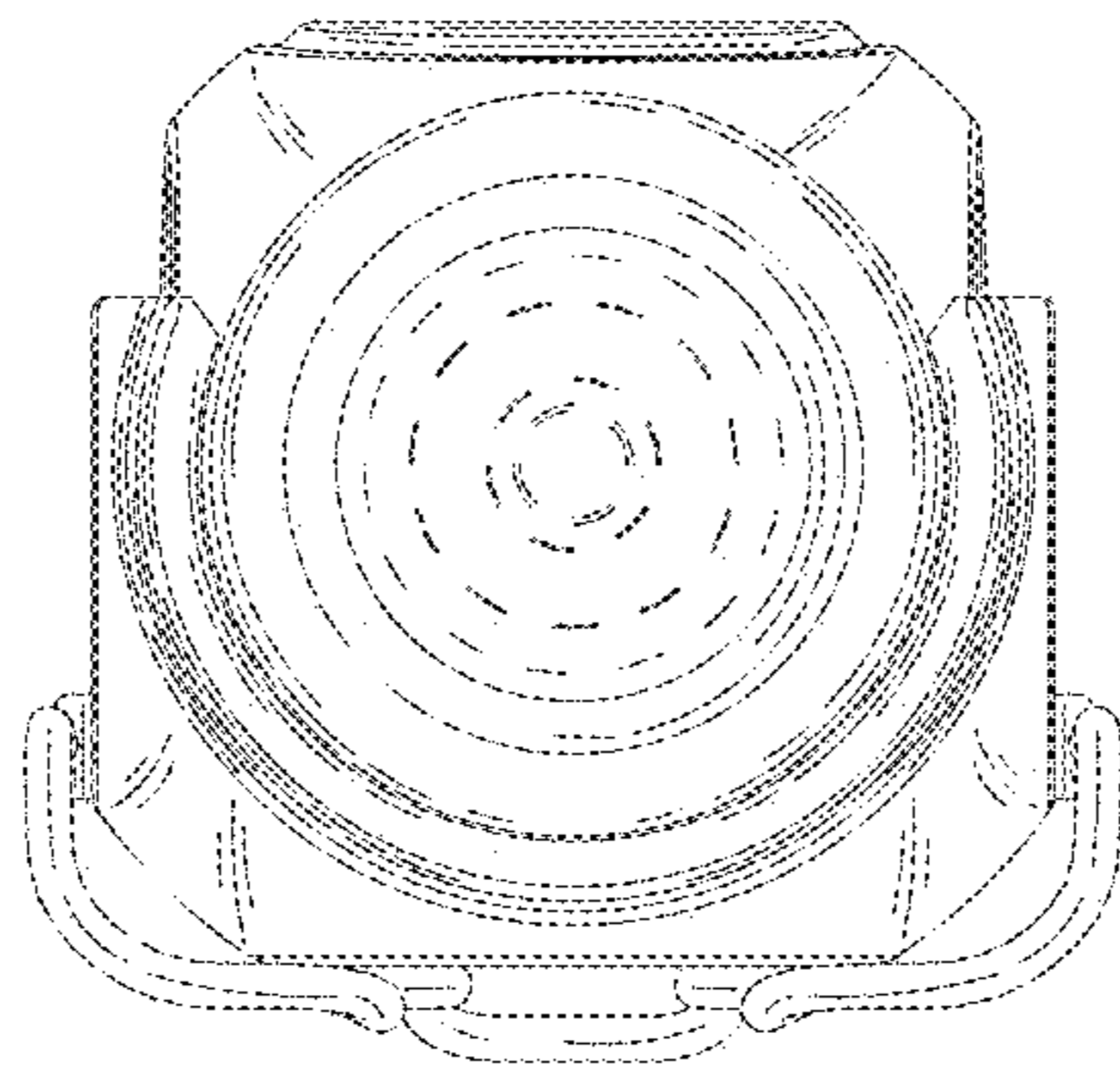


FIG. 6

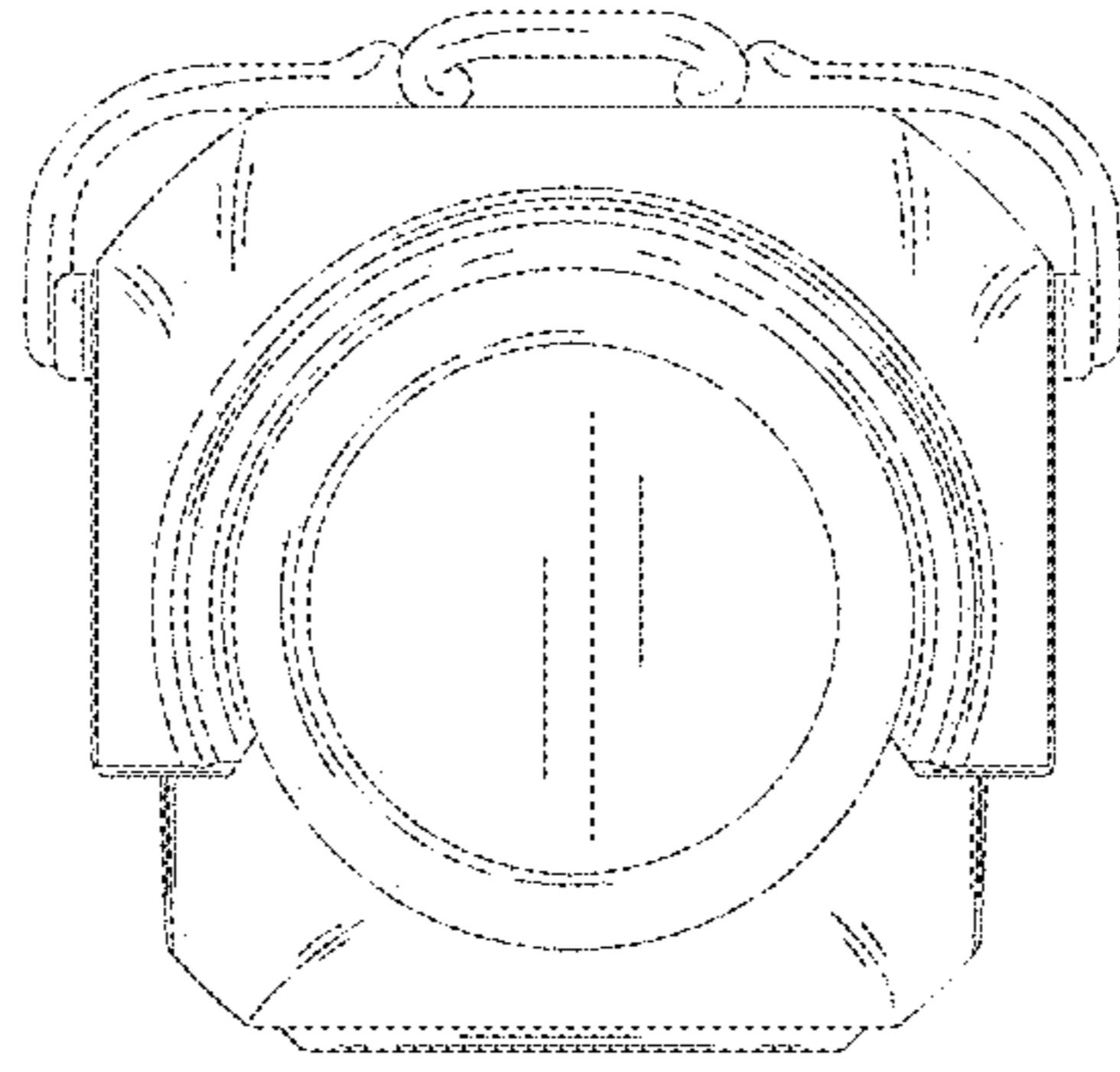


FIG. 7