



US00D928747S

(12) **United States Design Patent** (10) **Patent No.:** **US D928,747 S**
Trewartha et al. (45) **Date of Patent:** **** Aug. 24, 2021**

(54) **MICROPHONE**

FOREIGN PATENT DOCUMENTS

(71) Applicant: **Freedman Electronics Pty Limited**,
Silverwater (AU)

CA 184303 * 10/2018
RU 2018504556 * 10/2018

(72) Inventors: **Samuel Dean Trewartha**, Silverwater
(AU); **Pieter Schillebeeckx**, Silverwater
(AU)

OTHER PUBLICATIONS

(73) Assignee: **Freedman Electronics Pty Limited**

The SoundField by Røde NT-SF1, announced Sep. 16, 2018 [online],
retrieved Mar. 31, 2020, retrieved from internet, https://www.youtube.com/watch?v=M_9YX81sNJY&feature=youtu.be.
Introducing the SoundField by Røde—NT-SF1 Ambisonic Micro-
phone, announced Apr. 9, 2018 [online], retrieved Mar. 31, 2020,
retrieved from internet, <https://www.youtube.com/watch?v=PExpVKuc78c>.

(**) Term: **15 Years**

* cited by examiner

(21) Appl. No.: **29/667,086**

(22) Filed: **Oct. 18, 2018**

(51) **LOC (13) Cl.** **14-01**

Primary Examiner — Dana K Weiland
Assistant Examiner — Messina L Smith

(52) **U.S. Cl.**

(74) *Attorney, Agent, or Firm* — Skinner and Associates;
Joel D. Skinner, Jr.

USPC **D14/225**

(58) **Field of Classification Search**

USPC D14/221, 224, 225, 226, 227, 228, 229,
D14/150, 154, 155, 158, 160, 172
CPC H04R 19/04; H04R 19/00; H04R 1/406;
H04R 1/08; H04R 1/04; H04R 1/326;
H04R 29/004; H04R 2410/00; H04R
2410/01; H04R 2410/03; H04R 2410/05;
H04R 2410/07; H04R 2420/07; H04R
17/02

(57) **CLAIM**

The ornamental design for a microphone, as shown and
described.

See application file for complete search history.

DESCRIPTION

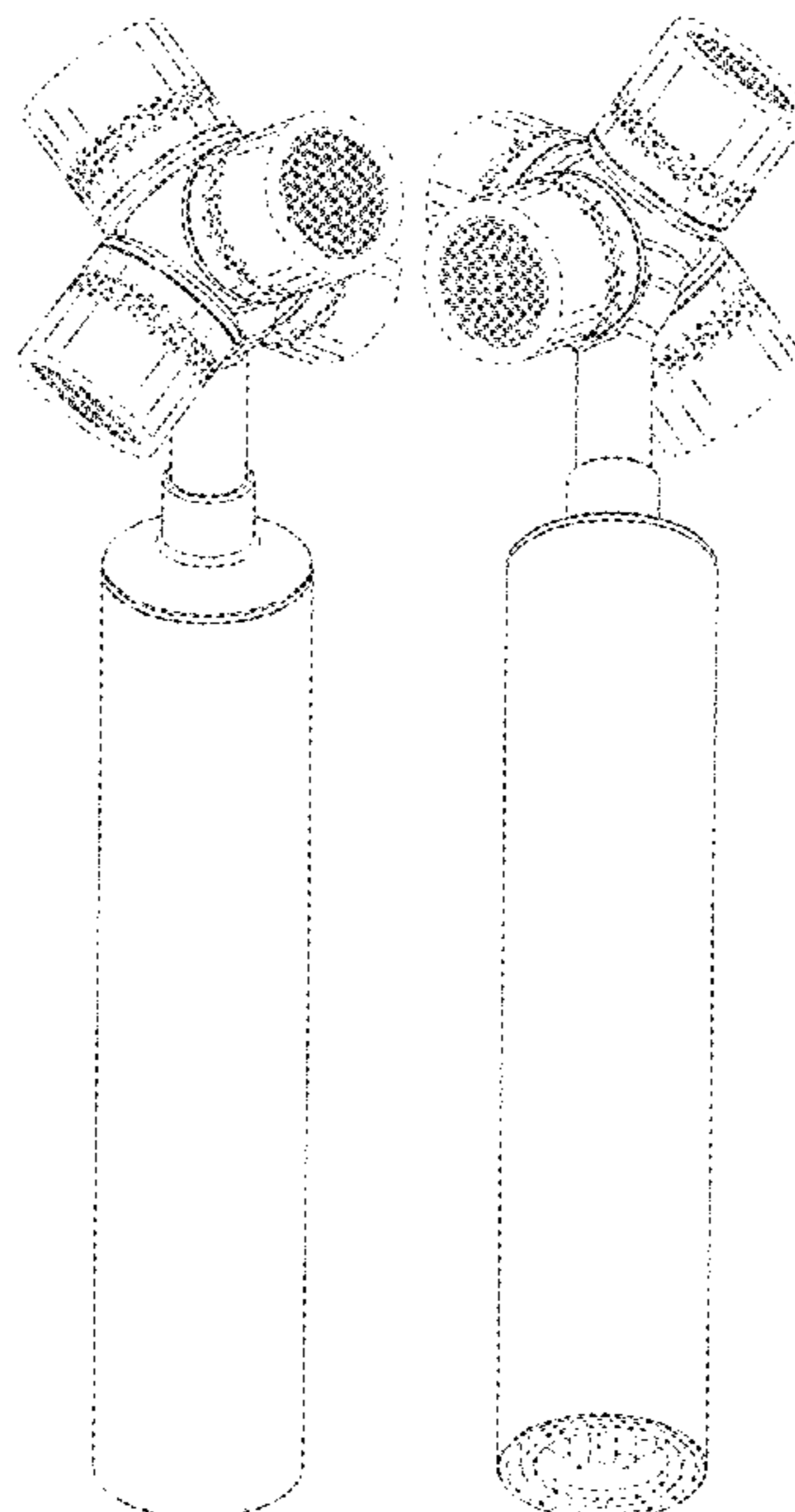
(56) **References Cited**

U.S. PATENT DOCUMENTS

D599,786 S * 9/2009 Metlen D14/225
D623,172 S * 9/2010 Kondo D14/227
D708,600 S * 7/2014 Trewartha D14/225
D729,301 S * 5/2015 Nakamura D16/219
D840,980 S * 2/2019 Bangalore D14/225
2016/0353200 A1 * 12/2016 Bigeh H04R 1/326

FIG. 1 is a front perspective view of a microphone, showing
our new design;
FIG. 2 is a bottom perspective view thereof;
FIG. 3 is a front view thereof;
FIG. 4 is a back view thereof;
FIG. 5 is a side view thereof, the opposite side being a mirror
image thereof;
FIG. 6 is an enlarged top view thereof; and,
FIG. 7 is an enlarged bottom view thereof.
The broken lines in the drawings show portions of the
microphone that form no part of the claimed design.

1 Claim, 7 Drawing Sheets



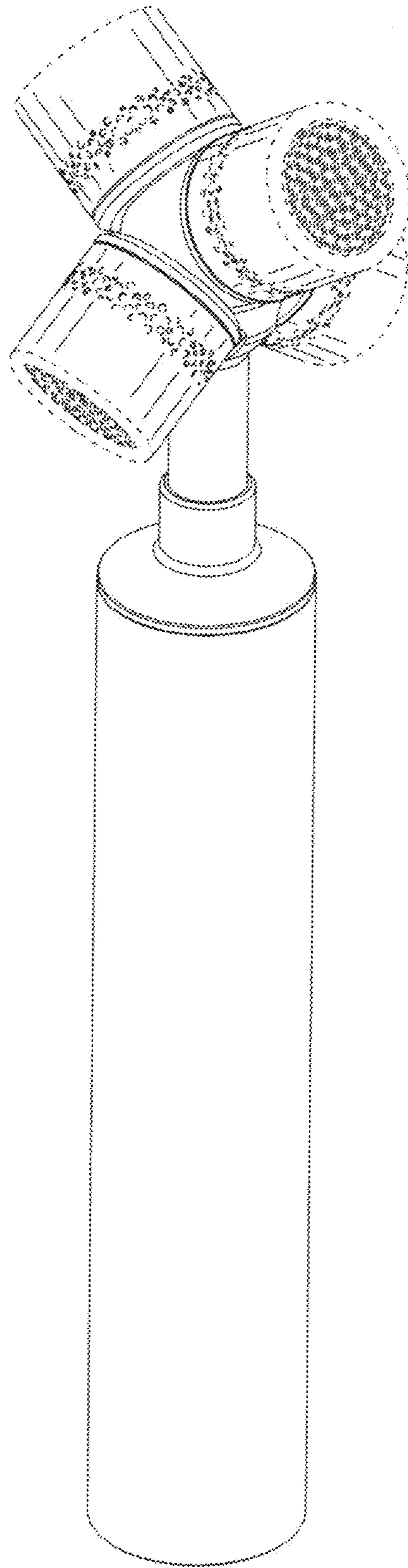


FIG. 1

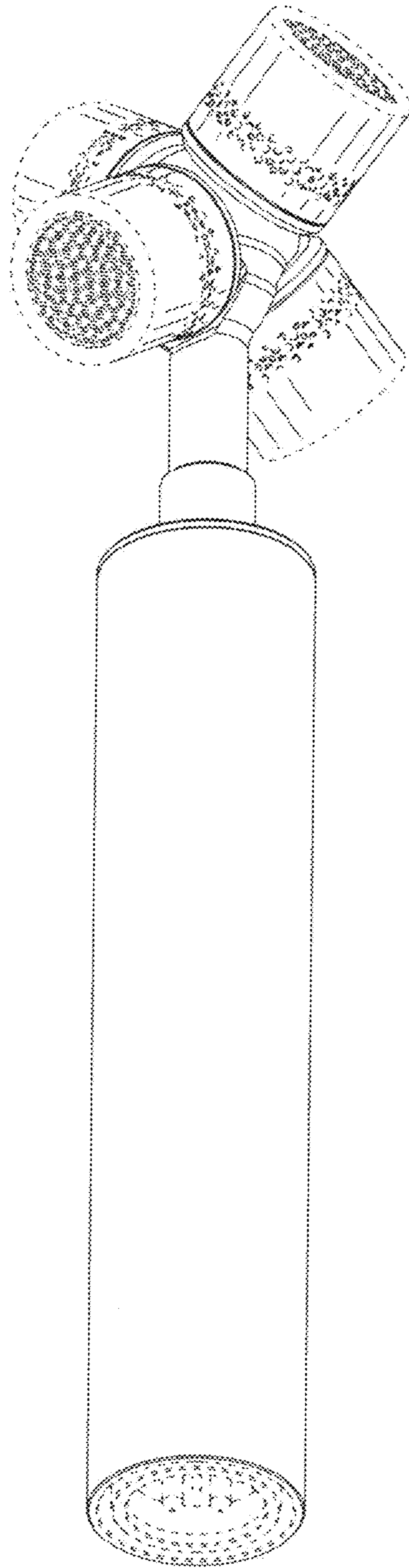


FIG. 2

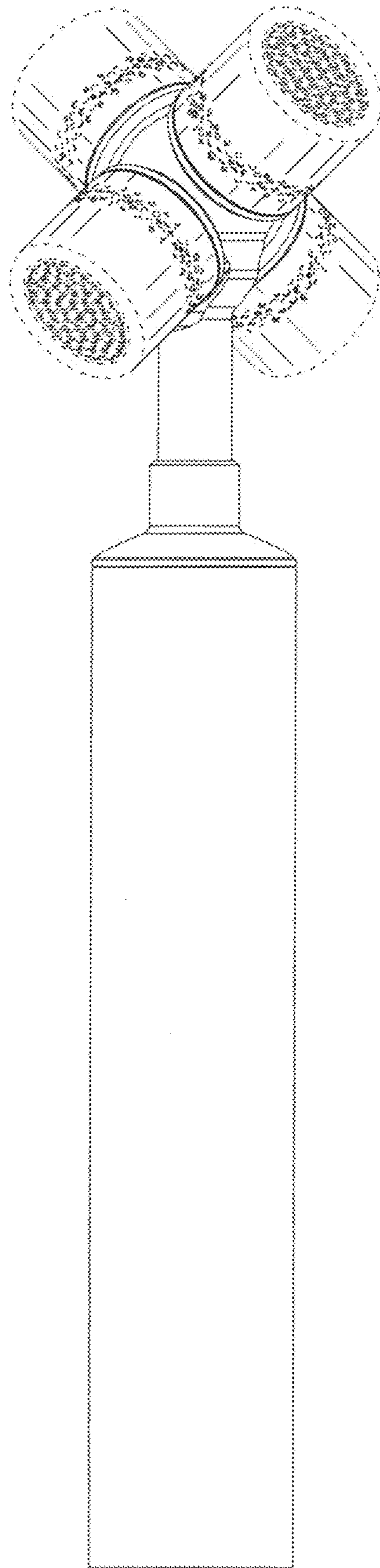


FIG. 3

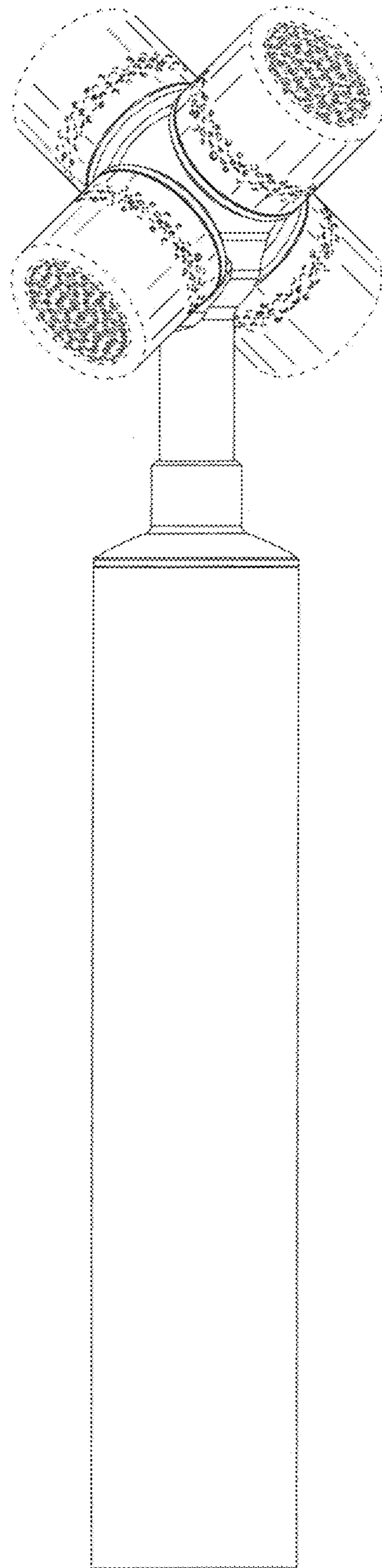


FIG. 4

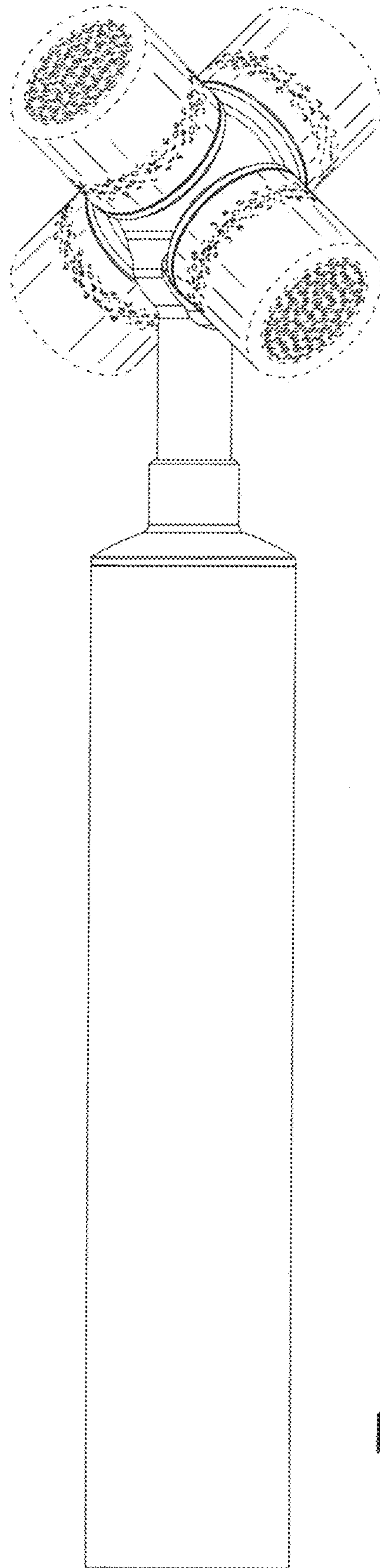


FIG. 5

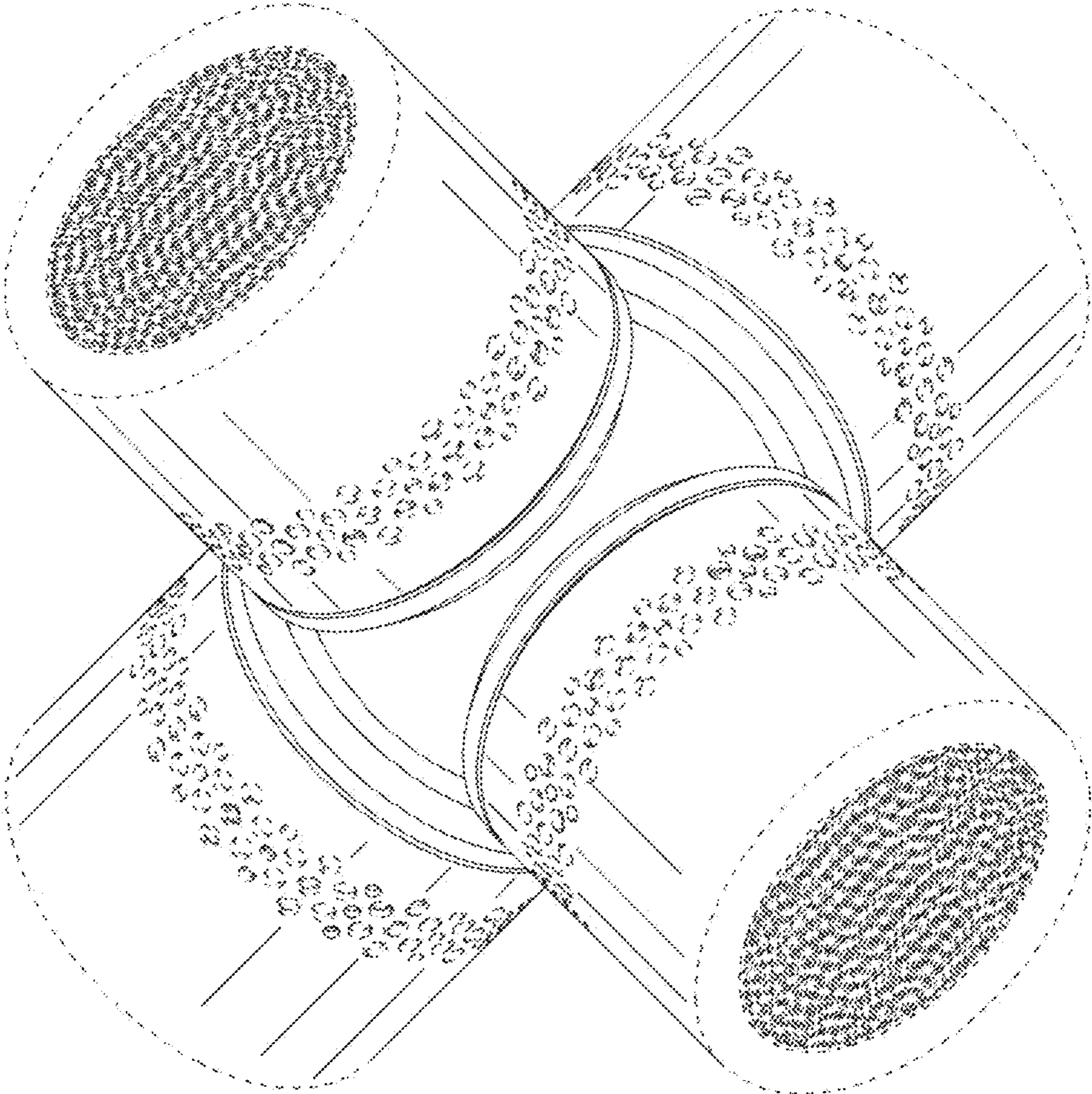


FIG. 6

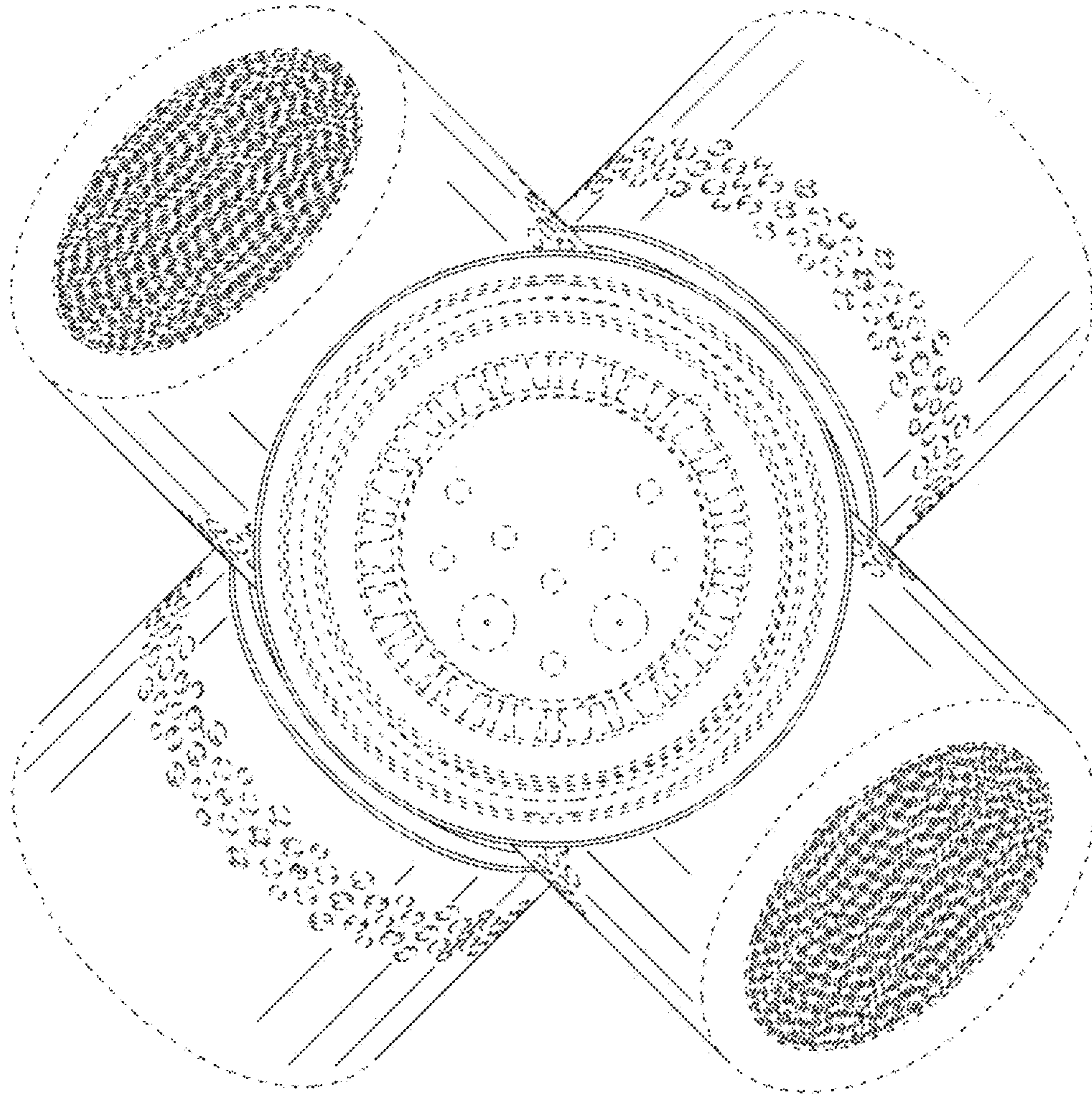


FIG. 7