



US00D928746S

(12) **United States Design Patent** (10) **Patent No.:** **US D928,746 S**
Weber (45) **Date of Patent:** **** Aug. 24, 2021**

(54) **EARPHONES**

(56) **References Cited**

(71) Applicant: **Sennheiser electronic GmbH & Co. KG, Wedemark (DE)**

U.S. PATENT DOCUMENTS

(72) Inventor: **Christian Weber, Bern (CH)**

D618,209 S *	6/2010	Andre	D14/205
D618,210 S *	6/2010	Andre	D14/205
D647,081 S *	10/2011	Kwon	D14/223
D700,905 S *	3/2014	Pavitsich	D14/223
D752,542 S *	3/2016	Lamar	D14/205
D781,822 S *	3/2017	Morris	D14/223
D783,578 S *	4/2017	Bristol	D14/223
D786,221 S *	5/2017	Stoch	D14/223
D787,480 S *	5/2017	Morris	D14/223
D789,911 S *	6/2017	Katopis	D14/223
D808,934 S *	1/2018	Tang	D14/223
D813,206 S *	3/2018	Tang	D14/223
D816,637 S *	5/2018	Hardi	D14/205

(73) Assignee: **Sennheiser electronic GmbH & Co. KG, Wedemark (DE)**

(**) Term: **15 Years**

(21) Appl. No.: **35/508,290**

(22) Filed: **Jul. 1, 2019**

* cited by examiner

(80) **Hague Agreement Data**

Int. Filing Date: **Jul. 1, 2019**

Int. Reg. No.: **DM/204205**

Int. Reg. Date: **Jul. 1, 2019**

Int. Reg. Pub. Date: **Jan. 3, 2020**

Primary Examiner — Bao-Yen T Nguyen

(74) *Attorney, Agent, or Firm* — Haug Partners LLP

(57) **CLAIM**

The ornamental design for earphones, as shown and described.

(30) **Foreign Application Priority Data**

Jan. 23, 2019 (EM) 006082491

(51) **LOC (13) Cl.** **14-01**

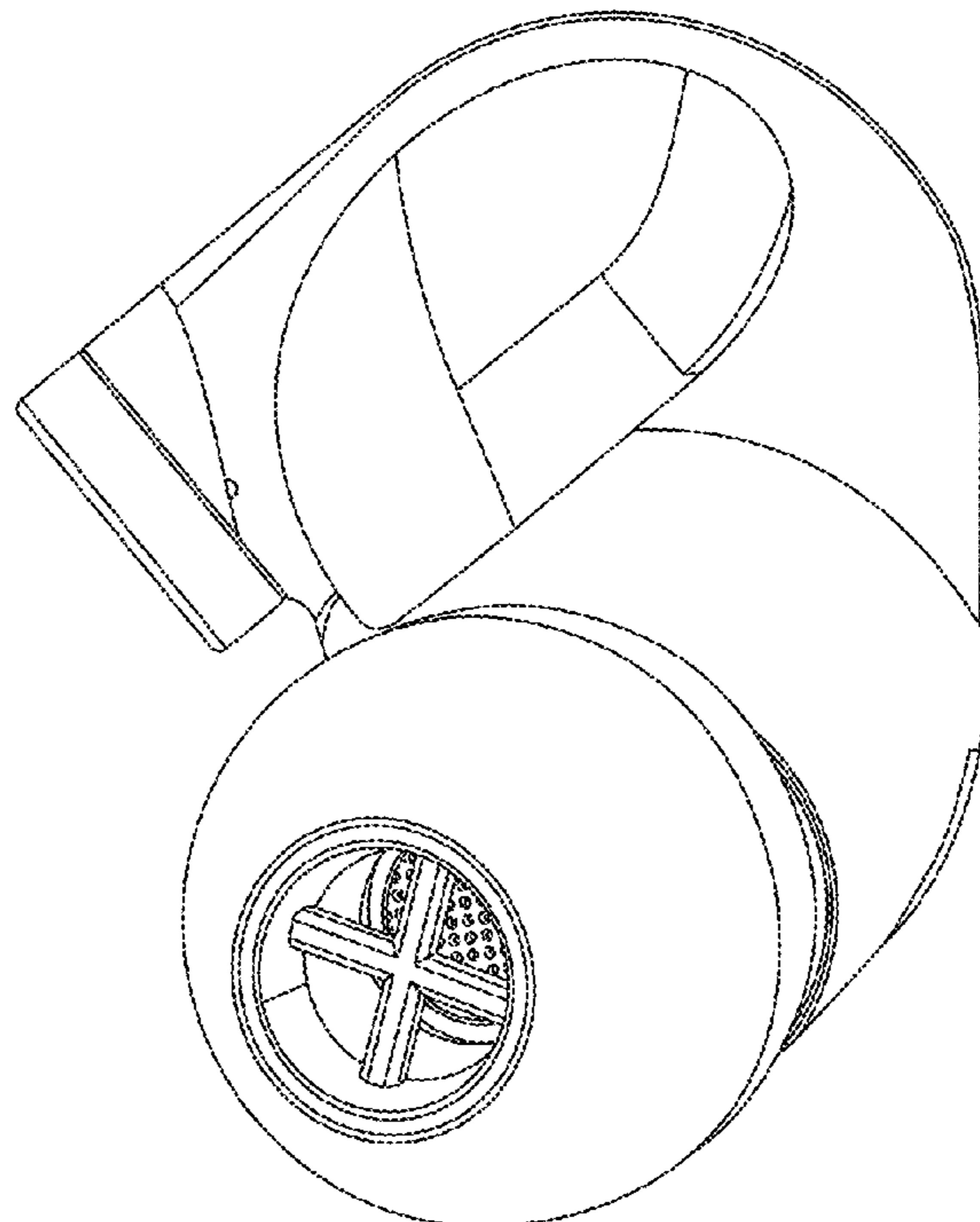
(52) **U.S. Cl.**
USPC **D14/223**

(58) **Field of Classification Search**
USPC D14/205, 206, 223
CPC H04R 1/10; H04R 1/1016; H04R 1/1066;
H04R 1/105; H04R 1/1033; H04R 1/08;
H04R 5/033; H04R 5/0335; H04R 25/00
See application file for complete search history.

DESCRIPTION

1. Earphone system
FIG. 1.1 is a front perspective view of earphones, showing my new design;
FIG. 1.2 is a right perspective view thereof;
FIG. 1.3 is a left perspective view thereof;
FIG. 1.4 is a bottom perspective view thereof;
FIG. 1.5 is a another left perspective view thereof;
FIG. 1.6 is a top perspective view thereof; and
FIG. 1.7 is a rear perspective view thereof.

1 Claim, 7 Drawing Sheets



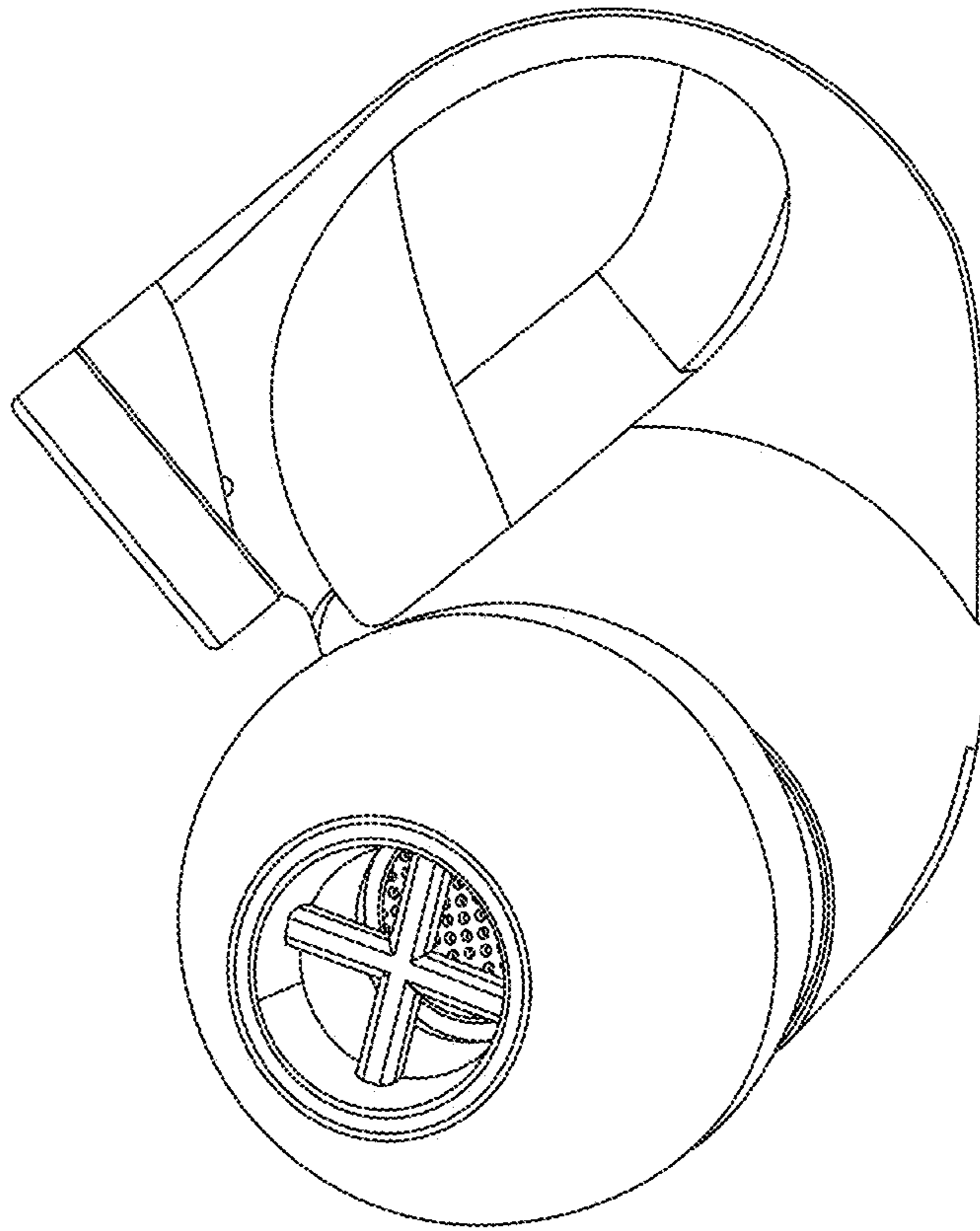


FIG. 1.1

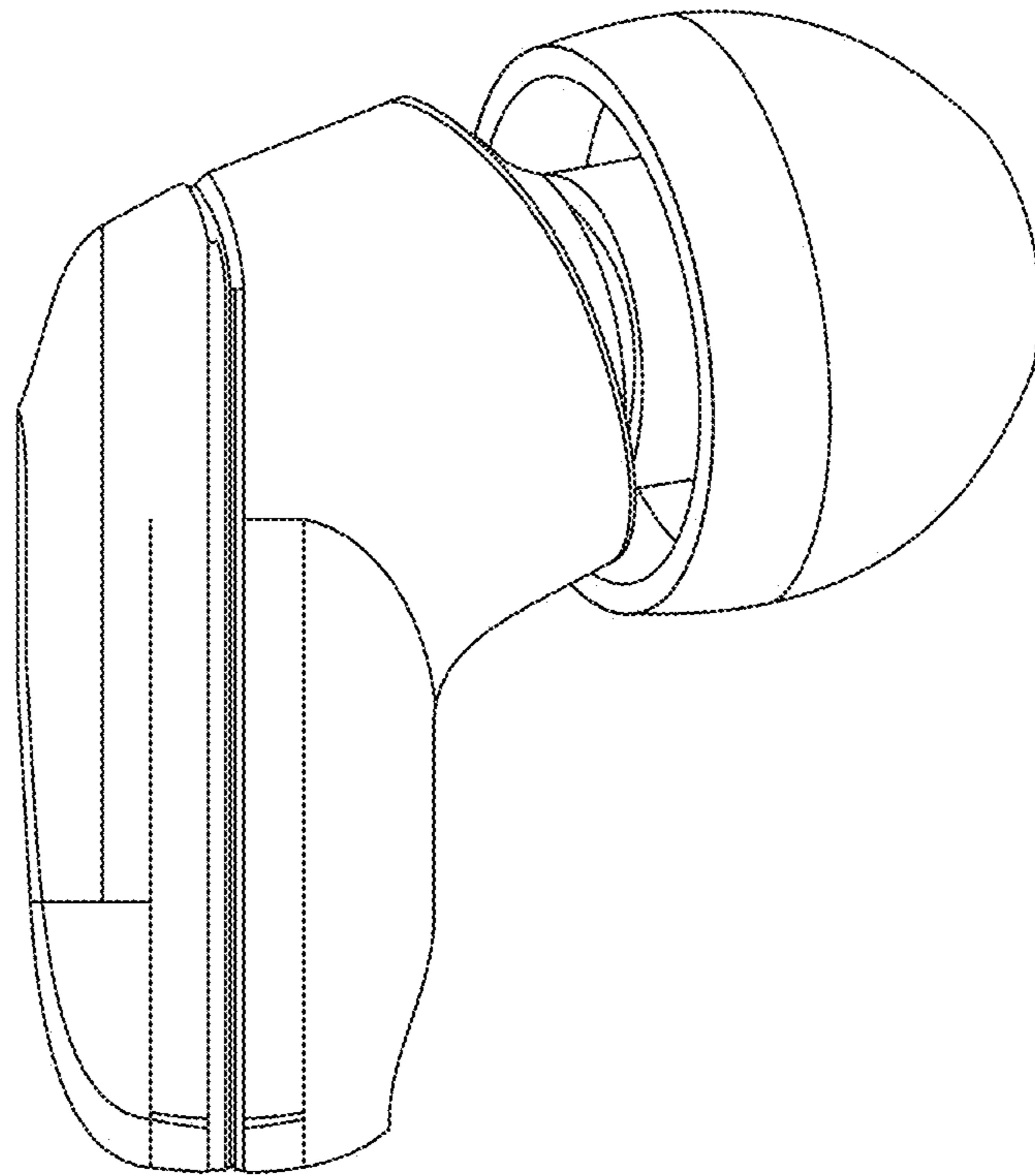


FIG. 1.2

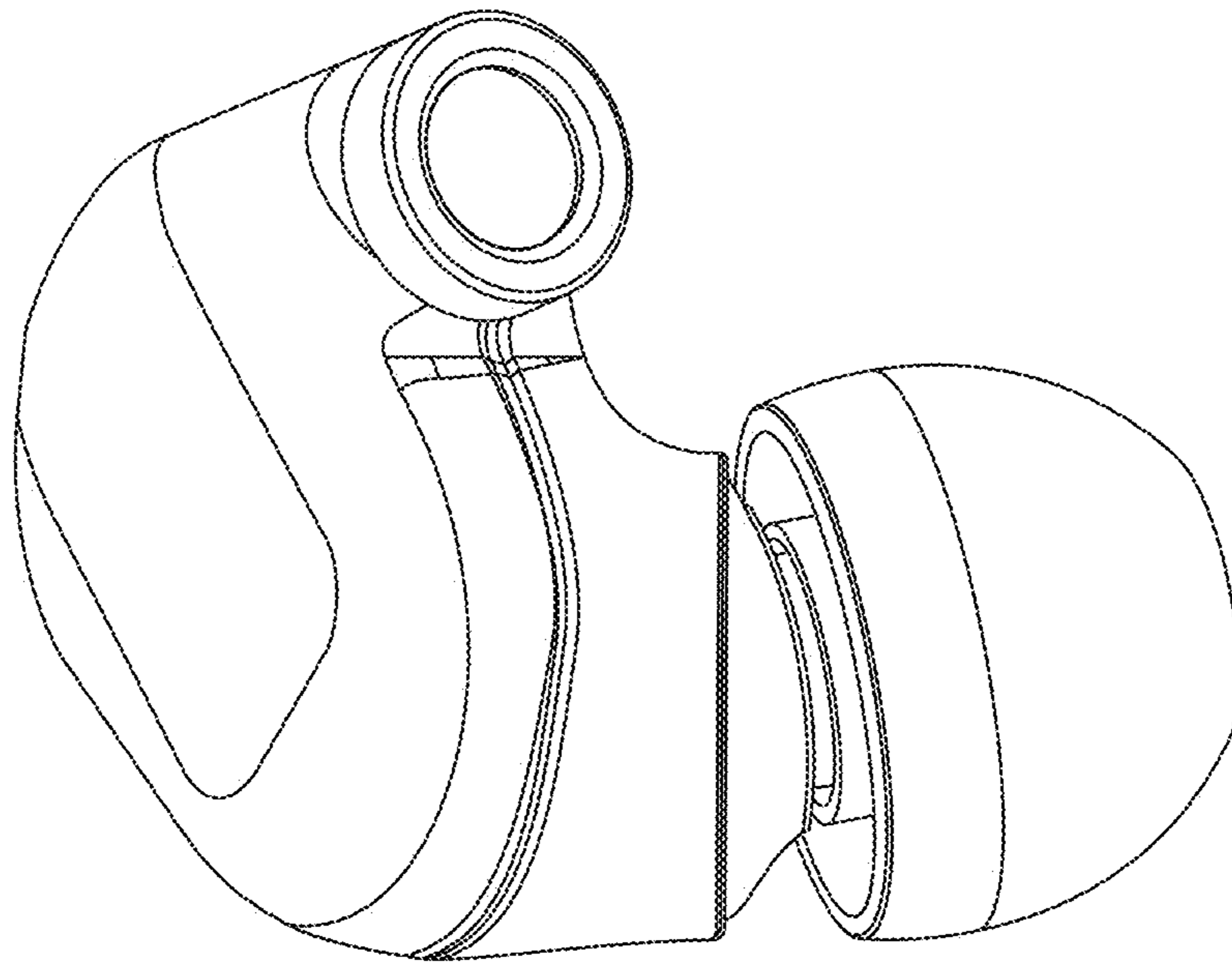


FIG. 1.3

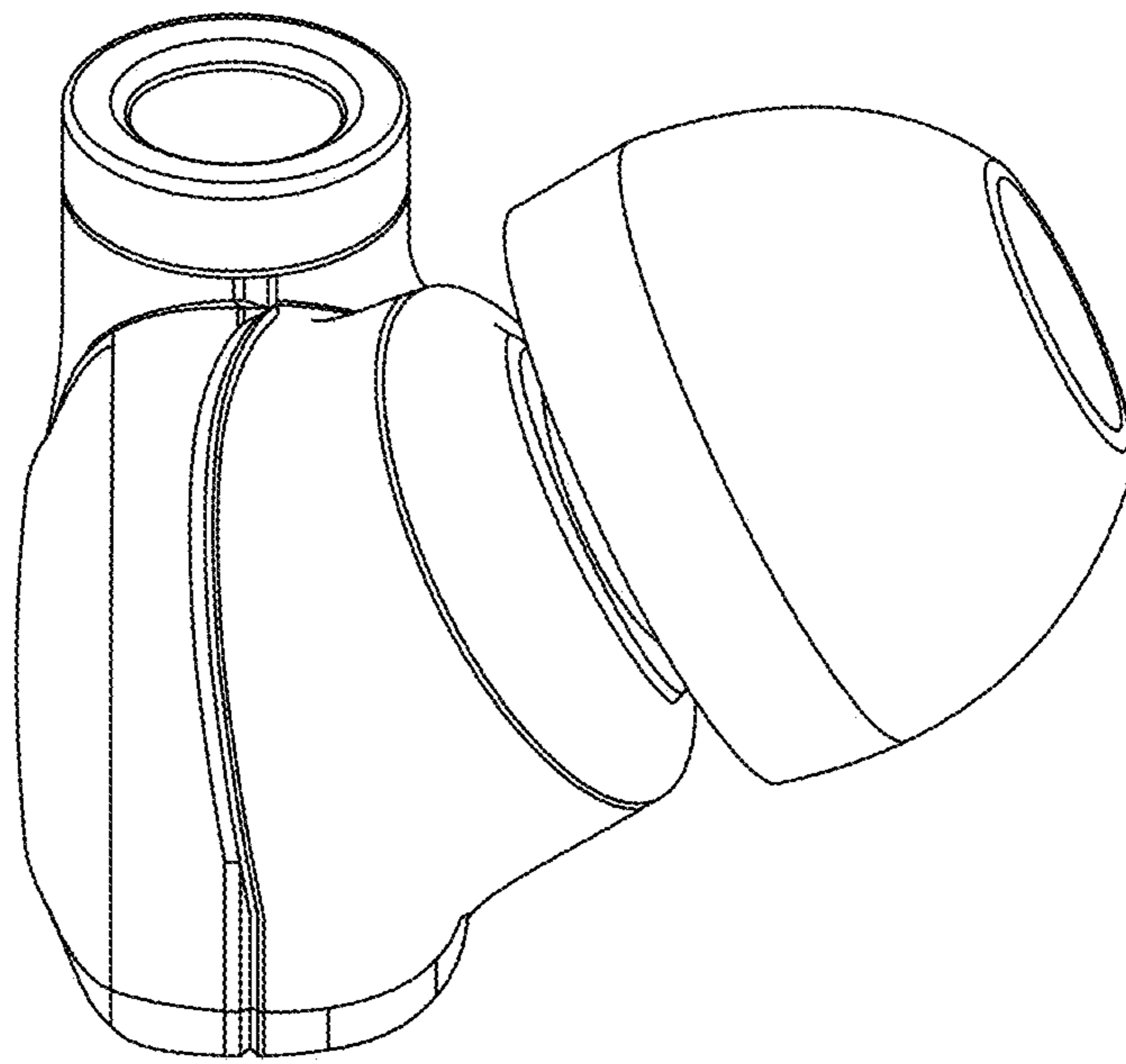


FIG. 1.4

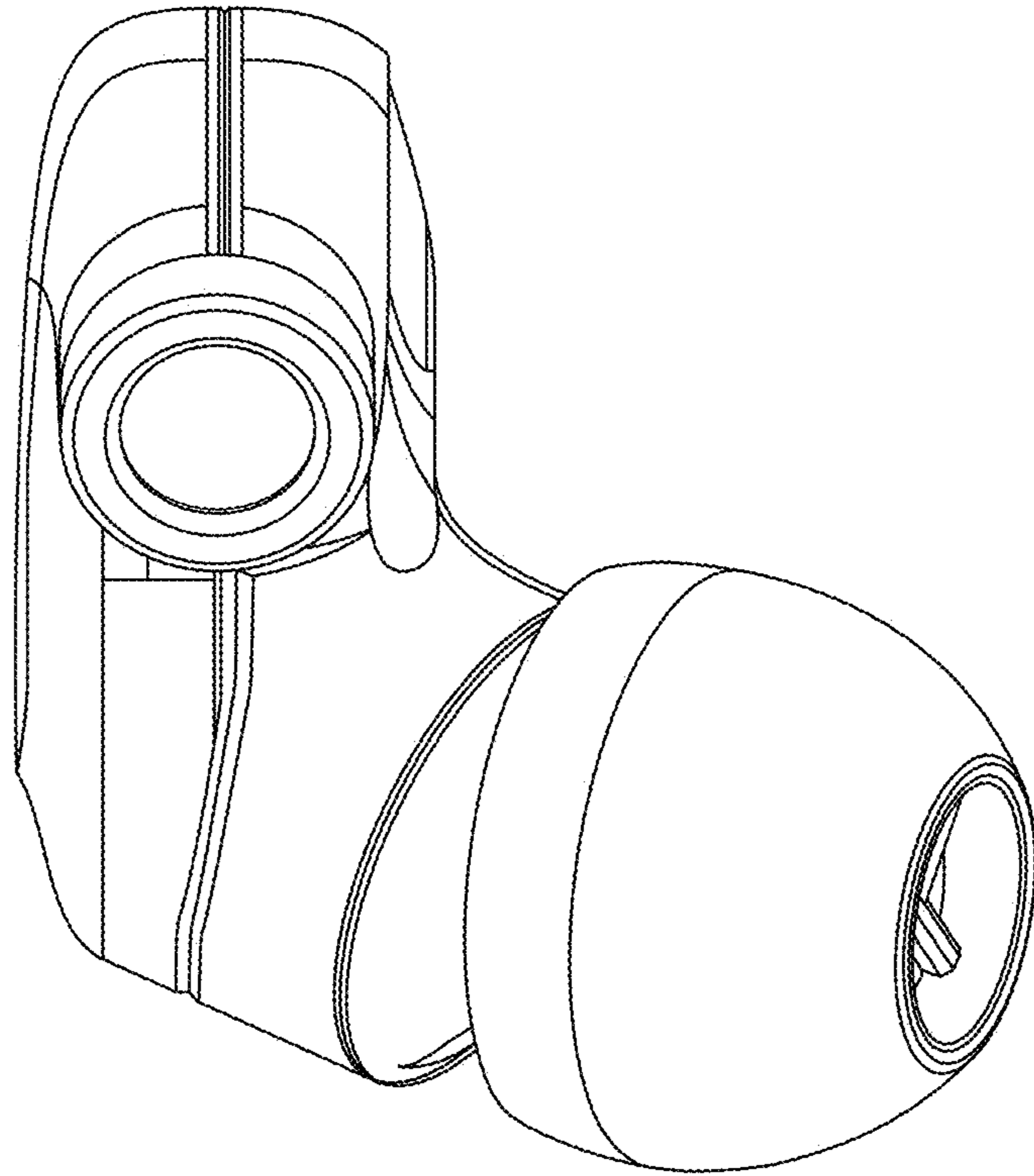


FIG. 1.5

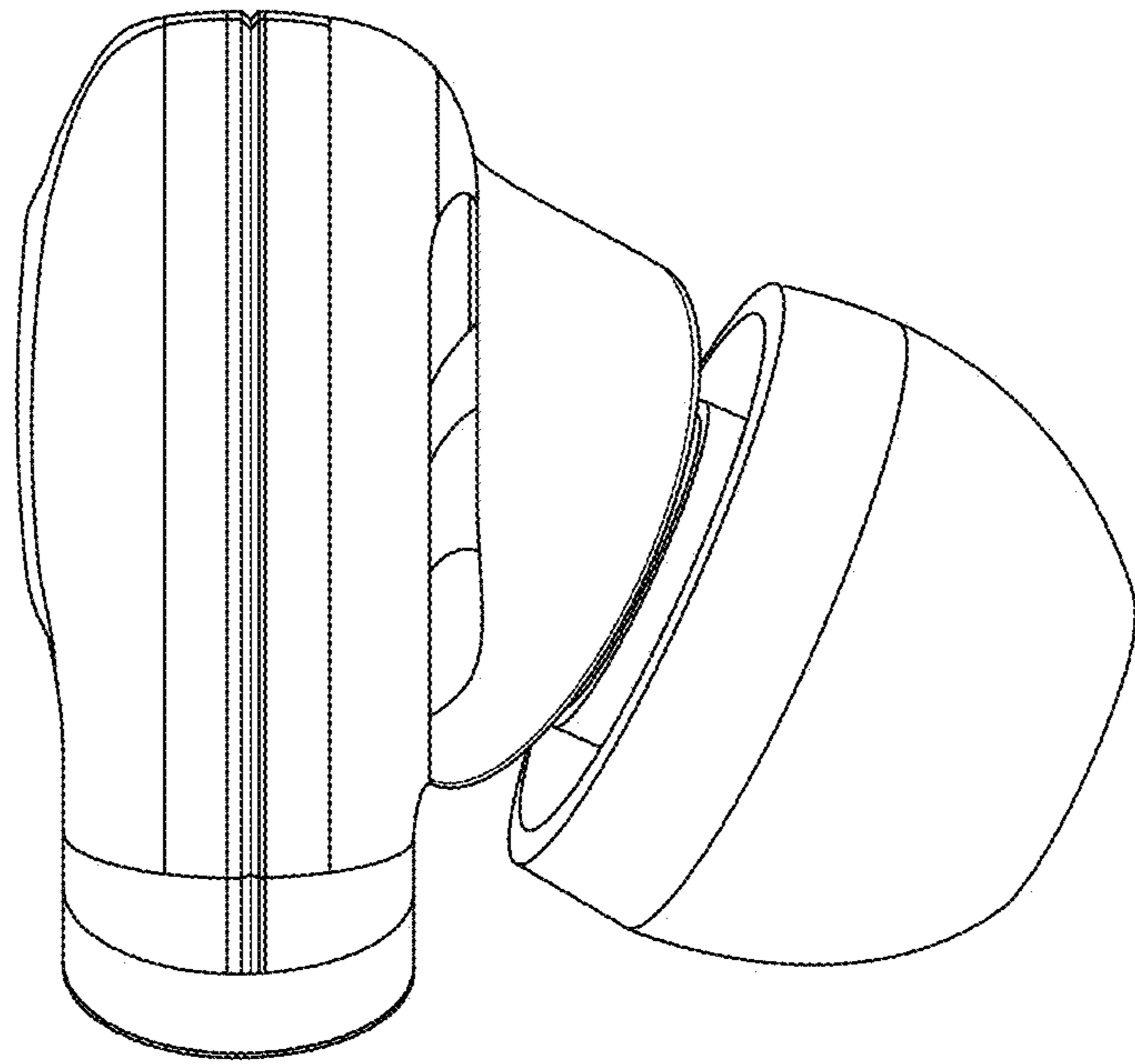


FIG. 1.6

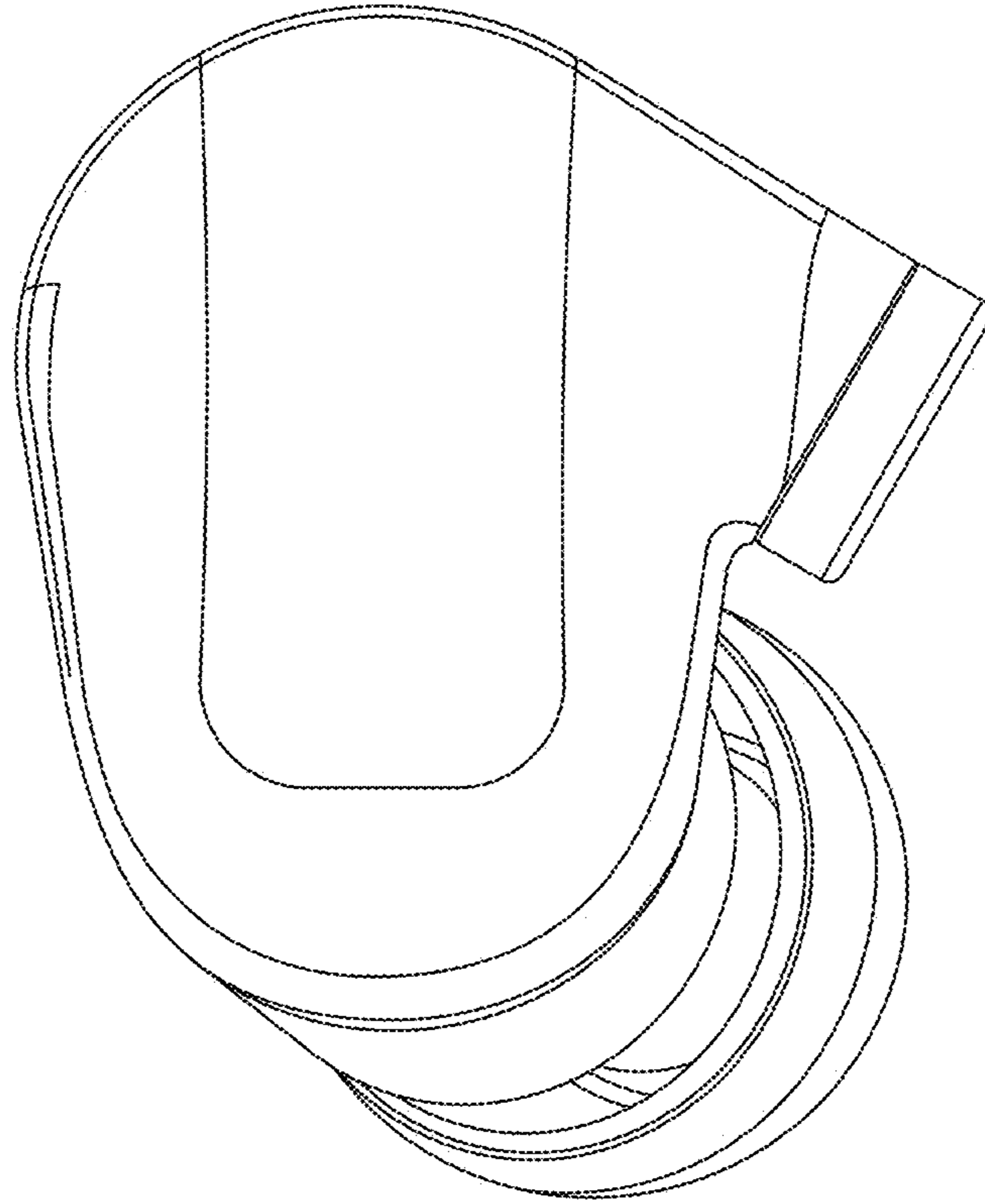


FIG. 1.7