



US00D928743S

(12) **United States Design Patent** (10) **Patent No.:** **US D928,743 S**  
**Akana et al.** (45) **Date of Patent:** **\*\* Aug. 24, 2021**

(54) **EARPHONE**

(71) Applicant: **Apple Inc.**, Cupertino, CA (US)

(72) Inventors: **Jody Akana**, San Francisco, CA (US); **Molly Anderson**, San Francisco, CA (US); **Bartley K. Andre**, Palo Alto, CA (US); **Shota Aoyagi**, San Francisco, CA (US); **Anthony Michael Ashcroft**, San Francisco, CA (US); **Marine C. Bataille**, San Francisco, CA (US); **Jeremy Bataillou**, San Francisco, CA (US); **Markus Diebel**, San Francisco, CA (US); **M. Evans Hankey**, San Francisco, CA (US); **Julian Hoenig**, San Francisco, CA (US); **Richard P. Howarth**, San Francisco, CA (US); **Jonathan P. Ive**, San Francisco, CA (US); **Julian Jaede**, San Francisco, CA (US); **Duncan Robert Kerr**, San Francisco, CA (US); **Peter Russell-Clarke**, San Francisco, CA (US); **Benjamin Andrew Shaffer**, San Jose, CA (US); **Sung-Ho Tan**, San Francisco, CA (US); **Clement Tissandier**, San Francisco, CA (US); **Eugene Antony Whang**, San Francisco, CA (US); **Rico Zörkendörfer**, San Francisco, CA (US)

(73) Assignee: **Apple Inc.**, Cupertino, CA (US)

(\*\*) Term: **15 Years**

(21) Appl. No.: **29/741,274**

(22) Filed: **Jul. 10, 2020**

**Related U.S. Application Data**

(63) Continuation of application No. 29/705,727, filed on Sep. 13, 2019, now Pat. No. Des. 906,297.

(51) **LOC (13) Cl.** ..... **14-01**

(52) **U.S. Cl.**  
USPC ..... **D14/223**

(58) **Field of Classification Search**

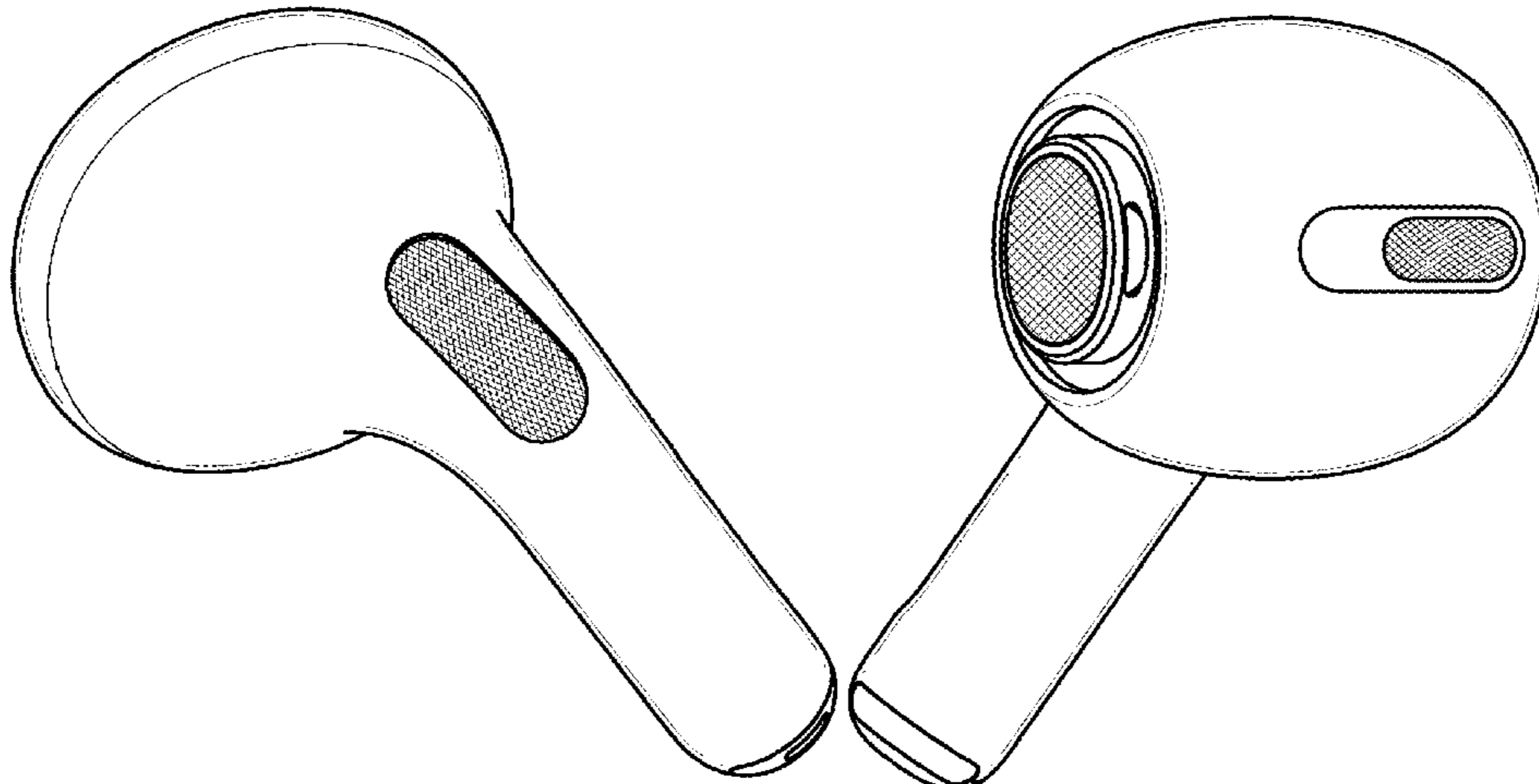
USPC ..... D14/223, 205; D24/174; D13/108; 128/864, 865, 866; 320/116; 381/380, 381/381; 455/90.3, 575.1, 569.1  
CPC . H04R 1/10; H04R 1/02; H04R 25/00; H04R 25/02; H04R 1/1066; H04R 1/1016; H04R 5/033; H04R 5/0335; H04R 1/1058; H04R 1/1091; H04R 9/06; A02J 7/02

See application file for complete search history.

(56) **References Cited**

**U.S. PATENT DOCUMENTS**

2,148,477 A	2/1939	Koch
2,595,489 A	5/1952	Rutter et al.
3,368,644 A	2/1968	Henderson
3,459,902 A	8/1969	Warning et al.
3,588,384 A	6/1971	Negley et al.
3,781,492 A	12/1973	Cragg et al.
4,532,649 A	7/1985	Bellafore
4,672,672 A	6/1987	Eggert et al.
4,677,675 A	6/1987	Killion et al.
4,736,430 A	4/1988	Schroeder
4,742,887 A	5/1988	Yamagishi et al.
D296,435 S	6/1988	Kubota
4,889,303 A	12/1989	Wolf et al.
4,893,344 A	1/1990	Traegardh et al.
4,965,838 A	10/1990	Kamon et al.
4,972,492 A	11/1990	Tanaka et al.
D316,550 S	4/1991	Sogabe
D331,057 S	11/1992	Isonaga
D331,061 S	11/1992	Hyohgo
D337,118 S	7/1993	Seikita
D337,589 S	7/1993	Wada
D344,800 S	3/1994	Lamby
D353,379 S	12/1994	Nakamura et al.
5,420,935 A	5/1995	Shinohara et al.
D410,079 S	5/1999	Falco et al.
6,122,369 A	9/2000	Hwang et al.
D463,789 S	10/2002	Dekalb et al.
D469,753 S	2/2003	Andre et al.
6,574,345 B1	6/2003	Huang
D479,837 S	9/2003	Sundquist et al.
6,690,807 B1	2/2004	Meyer
D488,460 S	4/2004	Alwicker et al.
6,731,772 B1	5/2004	Byun
D499,397 S	12/2004	Hlas et al.
D505,132 S	5/2005	Linville et al.
D506,744 S	6/2005	Andre et al.



# US D928,743 S

D515,070 S	2/2006	Andre et al.	D801,314 S *	10/2017	Akana .....	D14/223
D518,008 S	3/2006	Peng	9,961,431 B2 *	5/2018	McPeak .....	H04R 1/1058
D523,846 S	6/2006	Lee	D820,809 S	6/2018	Akana et al.	
D533,868 S	12/2006	Koizumi	10,003,880 B2 *	6/2018	Wagman .....	A45C 11/00
D540,313 S	4/2007	Rausch et al.	D823,835 S	7/2018	Loermann et al.	
D554,109 S	10/2007	Ledbetter et al.	D828,823 S	9/2018	Lin et al.	
D557,689 S	12/2007	Huang	D830,345 S	10/2018	Cai et al.	
D566,687 S	4/2008	Duarte et al.	D847,125 S *	4/2019	Akana .....	D14/223
D568,291 S	5/2008	Andre et al.	D849,401 S *	5/2019	Akana .....	D3/274
D573,977 S	7/2008	Ledbetter et al.	D865,720 S *	11/2019	Deng .....	D14/223
D575,269 S	8/2008	Ledbetter et al.	D869,445 S *	12/2019	Hu .....	D14/223
D578,518 S	10/2008	Ewert	D883,260 S *	5/2020	Hu .....	D14/223
D579,923 S	11/2008	Andre et al.	D896,206 S *	9/2020	Xu .....	D14/223
D587,677 S	3/2009	Andre et al.	D896,788 S *	9/2020	Akana .....	D14/223
D589,028 S	3/2009	Haapapuro et al.	D897,997 S *	10/2020	Zhang .....	D14/223
D589,491 S	3/2009	Andre et al.	D904,351 S *	12/2020	Zhang .....	D14/223
D589,498 S	3/2009	Komiyama	D905,018 S *	12/2020	Zhu .....	D14/223
D590,375 S	4/2009	Komiyama	D905,019 S *	12/2020	Liu .....	D14/223
D593,537 S	6/2009	Arimoto	D906,297 S *	12/2020	Akana .....	D14/223
D596,616 S	7/2009	Andre et al.	D907,009 S *	1/2021	Akana .....	D14/223
D599,330 S	9/2009	Andre et al.	D907,010 S *	1/2021	Akana .....	D14/223
D601,134 S	9/2009	Elabidi et al.	D909,347 S *	2/2021	Akana .....	D14/223
D616,874 S	6/2010	Matsuoka	2010/0246879 A1 *	9/2010	Siahaan .....	H04R 1/1058
D618,209 S	6/2010	Andre et al.				381/380
D618,210 S	6/2010	Andre et al.	2011/0051978 A1 *	3/2011	Chen .....	H04R 1/12
D618,219 S	6/2010	Burgett et al.				381/380
D620,482 S	7/2010	Chen et al.	2012/0003937 A1 *	1/2012	Zhong .....	H04R 1/1091
D622,265 S	8/2010	Rye				455/41.3
D626,948 S	11/2010	Nault	2012/0155692 A1	6/2012	Chen	
D627,766 S	11/2010	Arimoto	2012/0237074 A1	9/2012	Aase	
D628,193 S	11/2010	Zheng	2013/0004011 A1	1/2013	Hayashida et al.	
D632,282 S	2/2011	Kitayama	2013/0010998 A1 *	1/2013	Seo .....	H04R 1/1058
D633,086 S	2/2011	Chen				381/380
D635,960 S	4/2011	Gondo et al.	2013/0343593 A1	12/2013	Howes et al.	
D639,279 S	6/2011	Andre et al.	2013/0343594 A1 *	12/2013	Howes .....	H04R 1/1016
D641,738 S	7/2011	Perez				381/380
D643,416 S	8/2011	Chong et al.	2013/0343595 A1	12/2013	Zorkendorfer et al.	
D652,823 S	1/2012	Chen	2015/0382100 A1	12/2015	Azmi et al.	
D656,481 S	3/2012	McManigal	2017/0026733 A1 *	1/2017	Armstrong .....	H04R 1/1016
D662,493 S	6/2012	Chen	2017/0164087 A1	6/2017	Kurtz	
D662,495 S	6/2012	Andre et al.	2017/0201821 A1 *	7/2017	McAuliffe .....	H01Q 1/273
D664,523 S	7/2012	Naitou	2018/0077481 A1 *	3/2018	Kim .....	H04R 1/1016
D666,580 S	9/2012	Lee et al.	2020/0068285 A1 *	2/2020	Dang .....	H04R 1/1016
D669,058 S	10/2012	Lee et al.	2020/0107098 A1 *	4/2020	DiFonzo .....	H01F 1/147
D669,453 S	10/2012	Katsuraku et al.	2020/0245049 A1 *	7/2020	Karayianis .....	H04R 1/1016
D674,781 S	1/2013	Sakata	2020/0275182 A1 *	8/2020	Ettensberger .....	H04R 1/1016
D675,194 S	1/2013	Andre et al.				
8,345,912 B2	1/2013	Akihiko et al.				
D676,427 S	2/2013	Yang				
8,391,533 B2 *	3/2013	Sim .....				H04R 1/1041
						381/380

## FOREIGN PATENT DOCUMENTS

CN	301938367 S	5/2012
CN	302414771 S	4/2013
CN	302672007 S	12/2013
CN	303180712 S	4/2015
CN	303634602 S	4/2016
CN	303640496 S	4/2016
CN	303701471 S	6/2016
CN	304292881 S	9/2017
EM	007742713-0001	* 9/2019
EM	007742713-0005	* 9/2019
EM	007742713-0014	* 9/2019
EM	007742713-0015	* 9/2019
GB	6085034	* 9/2019

## OTHER PUBLICATIONS

iBlink WLP3 Earbuds—100Hz-10kHz, Noise Isolation, 3.5mm Jack, LED Light (Pink), White, TigerDirect.com, accessed at [http://www.tigerdirect.com/applications/SearchTools/item-details.asp?EdpNo=3988300&csid=\\_61](http://www.tigerdirect.com/applications/SearchTools/item-details.asp?EdpNo=3988300&csid=_61), last accessed on Jan. 31, 2013; 4 pages.

Japanese Patent Office Document HJ 21000610, dated Jul. 26, 2017.

Japanese Patent Office Document HJ 27054573, dated Jul. 26, 2017.

Philips SHE2650/37 In-Ear Earbuds with Twin Vents, ShoppingNexus.com, accessed at <http://www.shoppingnexus.com/electronics/pr/>

D681,015 S	4/2013	Akana et al.	
D687,418 S	8/2013	Godfrey	
D687,419 S	8/2013	Andre et al.	
8,515,116 B2	8/2013	Lee	
D691,594 S	10/2013	Akana et al.	
D694,220 S	11/2013	Lee et al.	
D706,643 S	6/2014	Akana et al.	
D707,206 S	6/2014	Akana et al.	
D711,857 S	8/2014	Burgett et al.	
8,800,712 B2	8/2014	Campbell et al.	
D712,279 S	9/2014	Akana et al.	
D718,284 S	11/2014	Shibusawa	
D718,285 S	11/2014	Shibusawa	
8,965,030 B2	2/2015	Aase	
D728,533 S	5/2015	Poulsen et al.	
D732,007 S	6/2015	Oksman et al.	
D732,008 S	6/2015	Akana et al.	
D733,101 S	6/2015	Pi et al.	
D733,689 S	7/2015	Narita	
D738,864 S	9/2015	Lee	
D741,287 S *	10/2015	Harata .....	D14/205
D747,295 S	1/2016	Eastwood et al.	
D755,759 S	5/2016	Cai	
D757,682 S	5/2016	Perez	
D770,412 S	11/2016	Son	
D780,153 S	2/2017	Lukic et al.	
D781,268 S	3/2017	Magi et al.	
D798,844 S	10/2017	Nokuo et al.	

philips-she265037-in-ear-earbuds-with-twin-vents1.html, last accessed on Jan. 31, 2013; 1 page.

\* cited by examiner

*Primary Examiner* — Paula Allen Greene  
(74) *Attorney, Agent, or Firm* — Sterne, Kessler,  
Goldstein & Fox P.L.L.C.

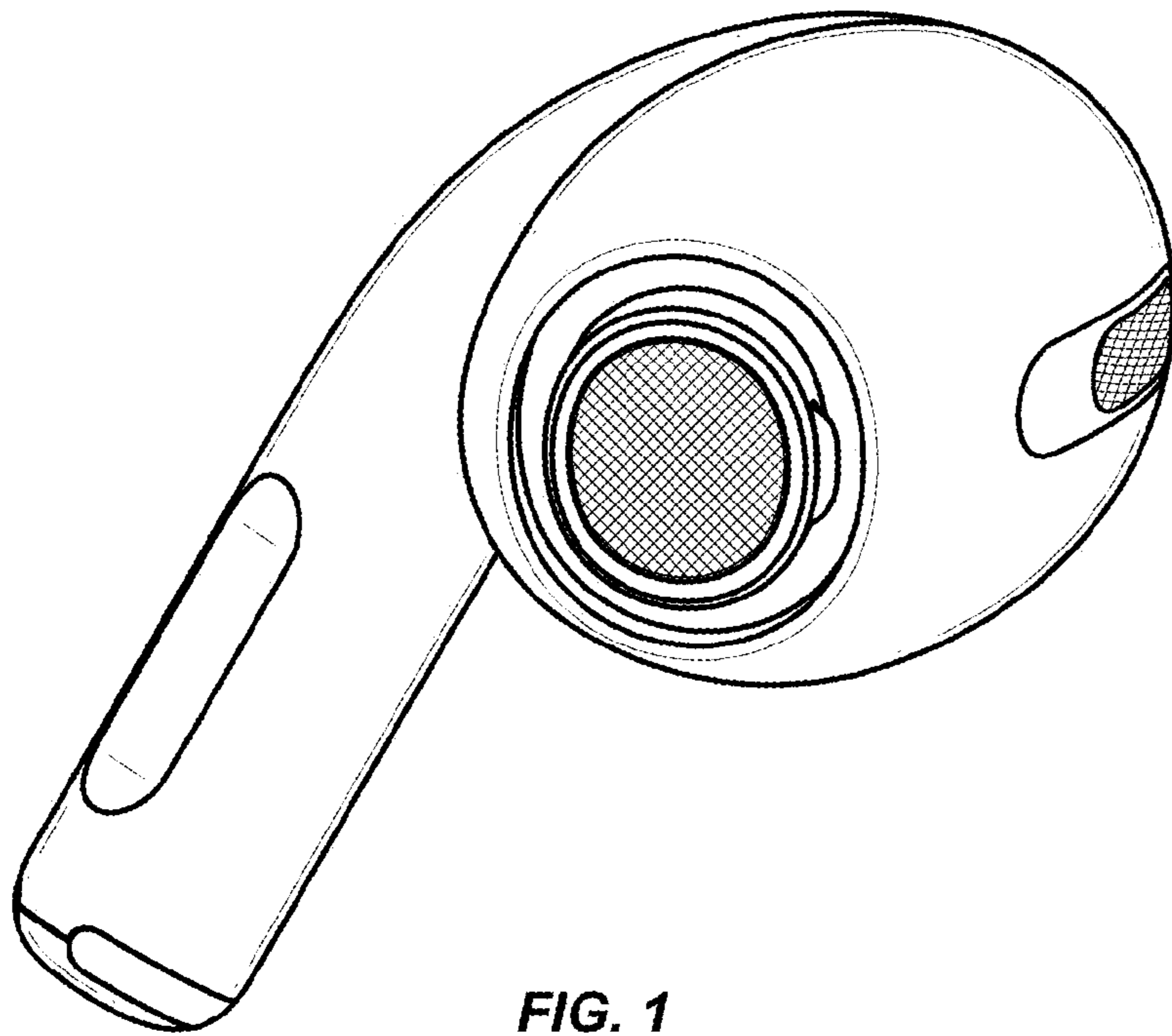
(57) **CLAIM**

The ornamental design for an earphone, as shown and described.

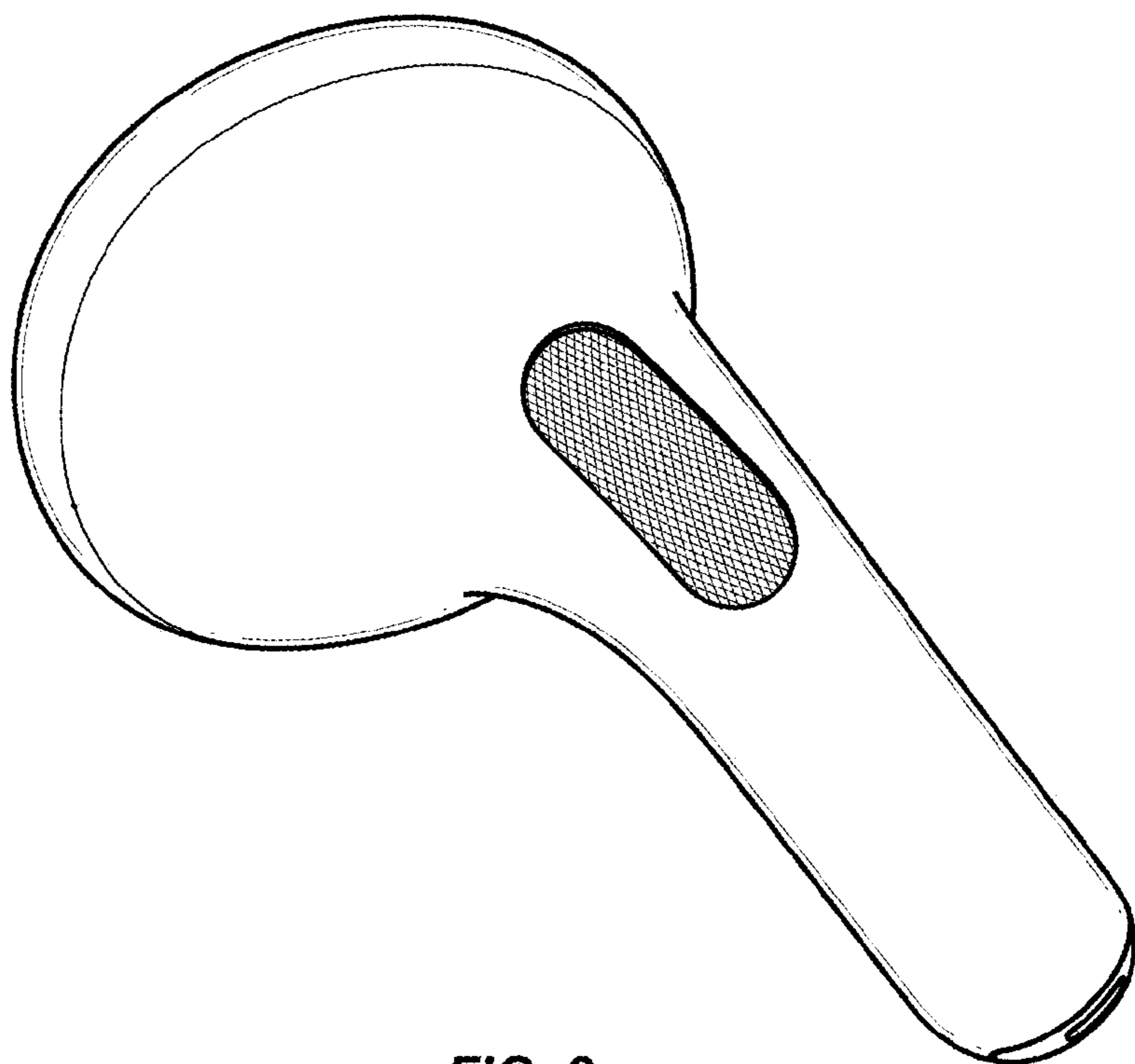
**DESCRIPTION**

FIG. 1 is a front perspective view of an earphone showing the claimed design;  
FIG. 2 is a rear perspective view thereof;  
FIG. 3 is a front view thereof;  
FIG. 4 is a rear view thereof;  
FIG. 5 is a left side view thereof;  
FIG. 6 is a right side view thereof;  
FIG. 7 is a top view thereof; and,  
FIG. 8 is a bottom view thereof.

**1 Claim, 4 Drawing Sheets**



**FIG. 1**



**FIG. 2**

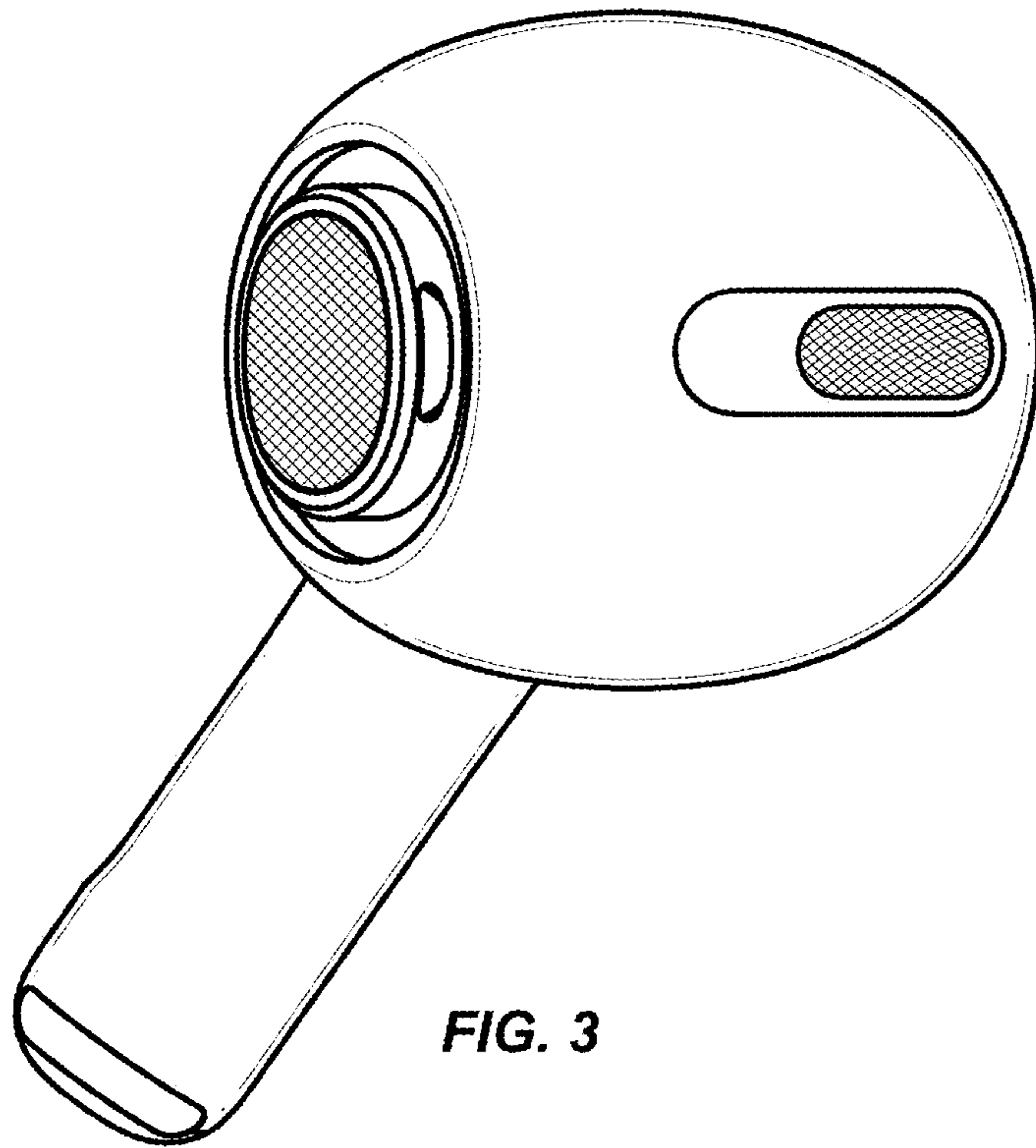


FIG. 3

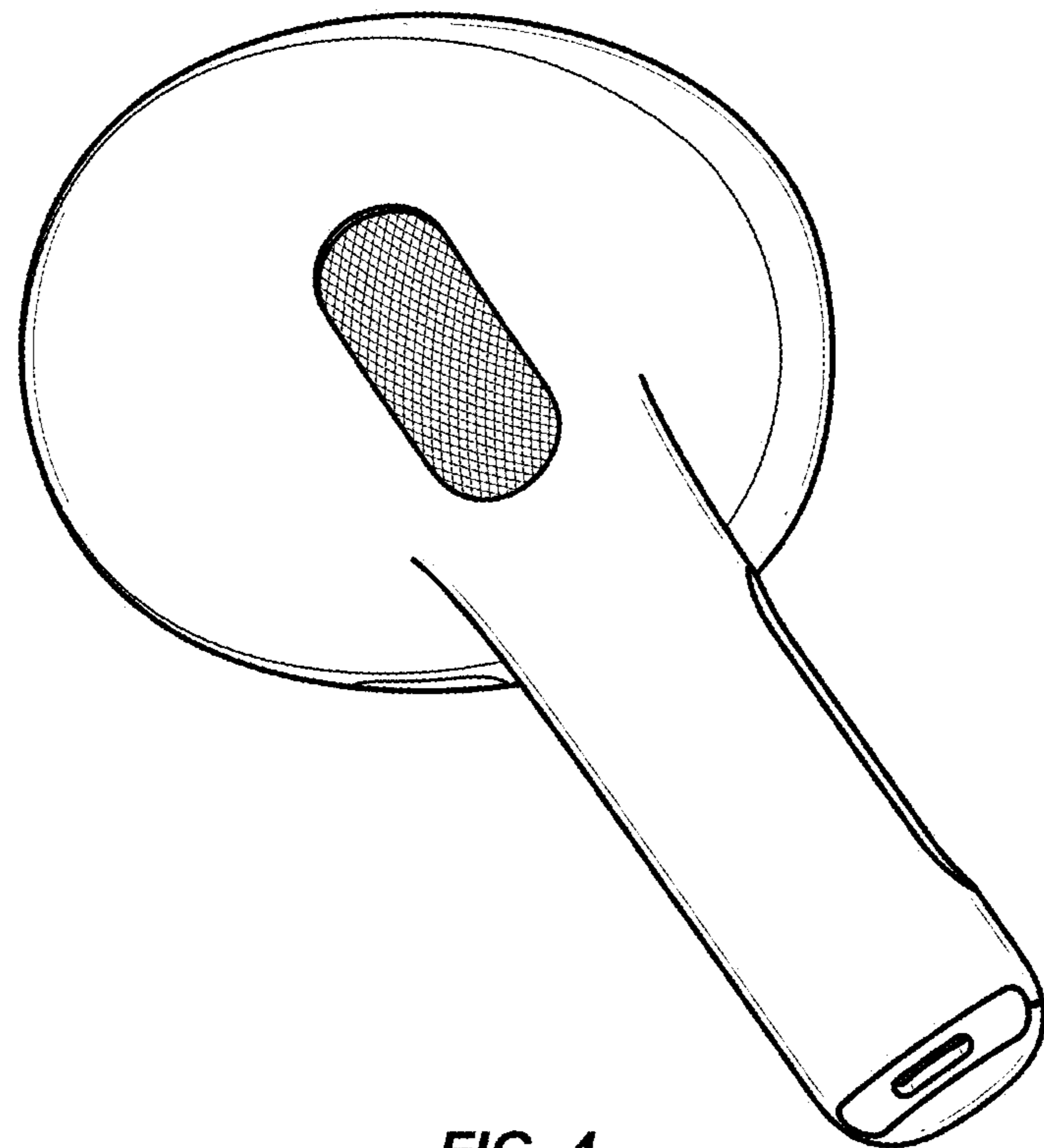
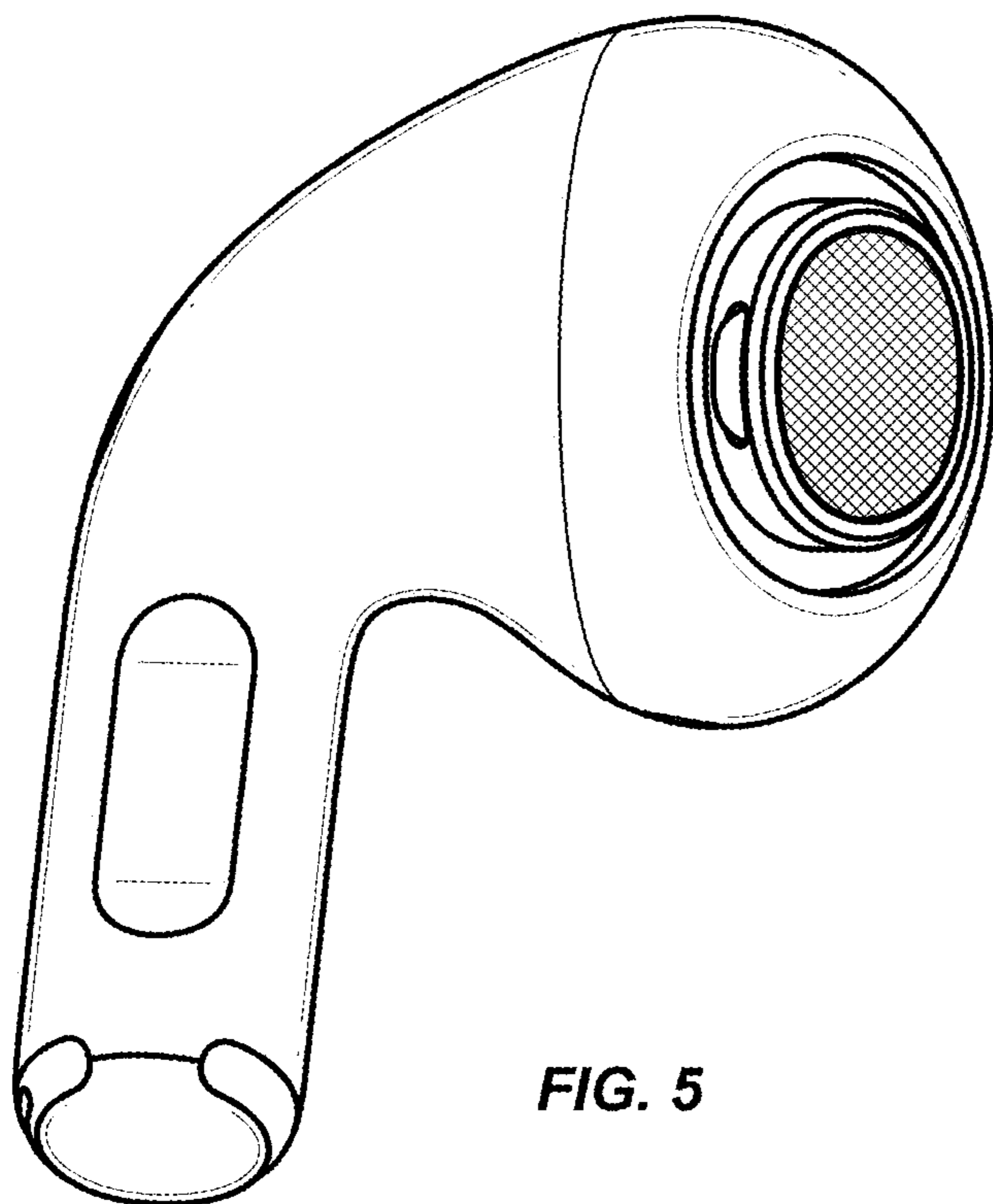
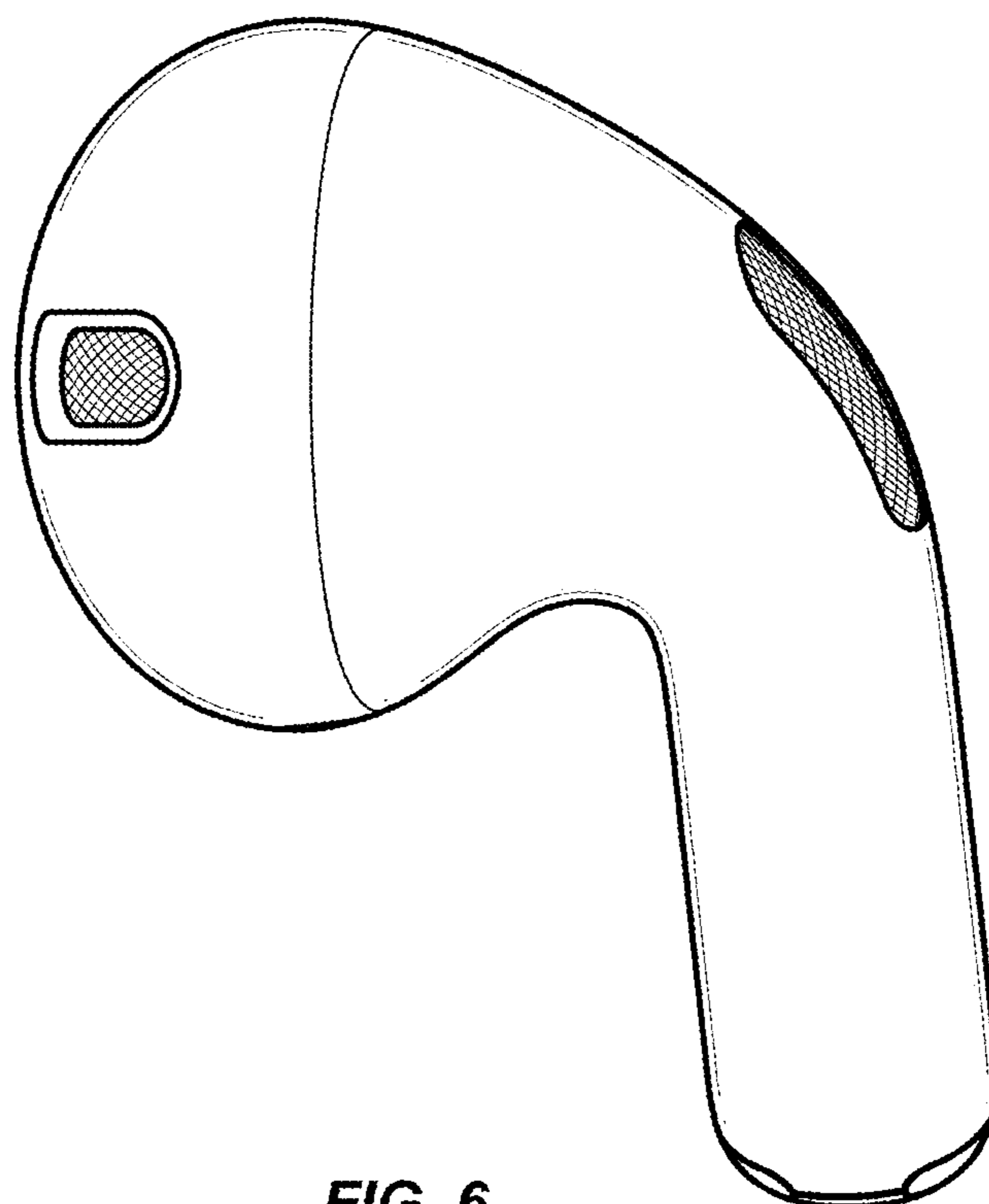


FIG. 4



**FIG. 5**



**FIG. 6**

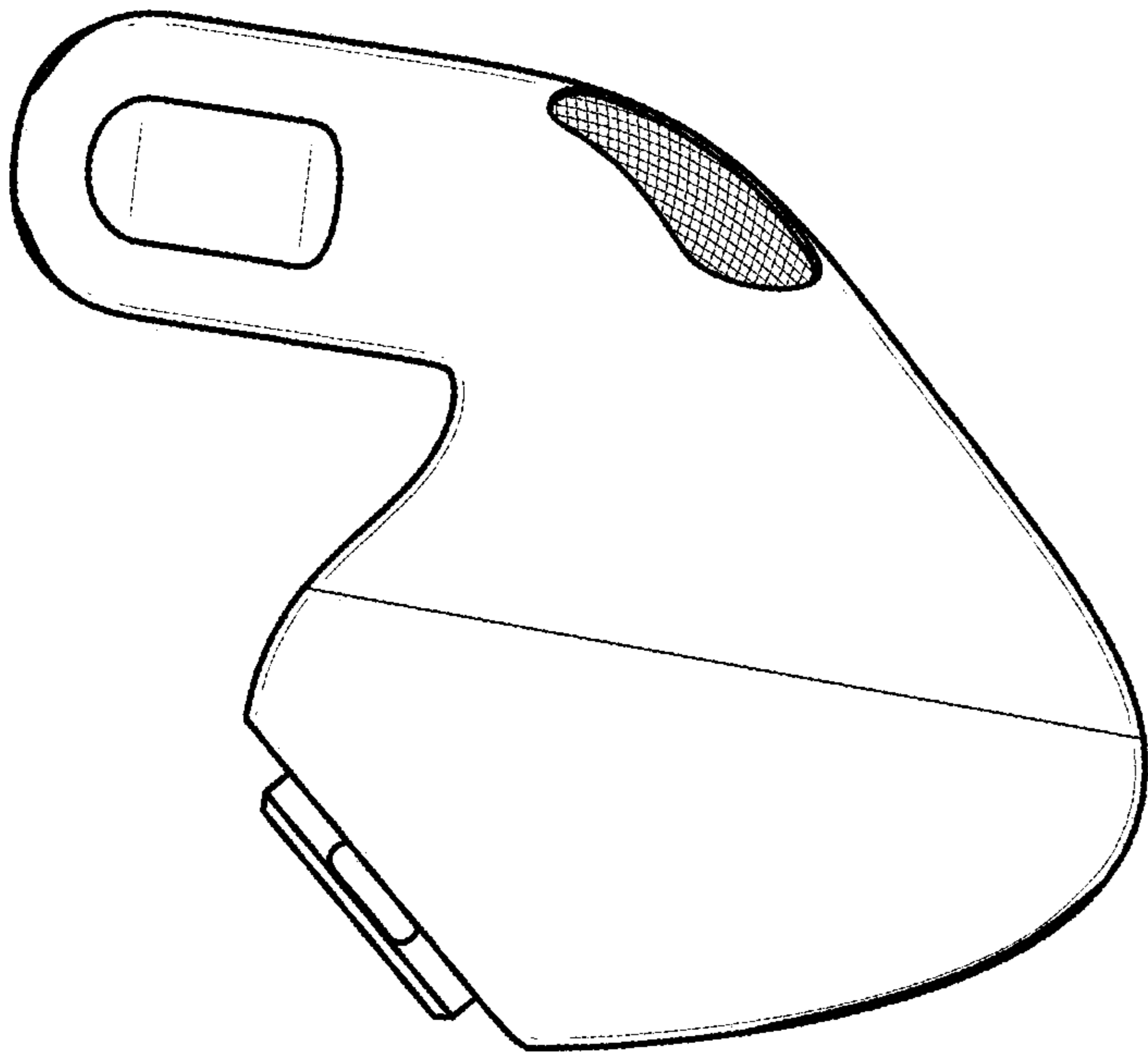


FIG. 7

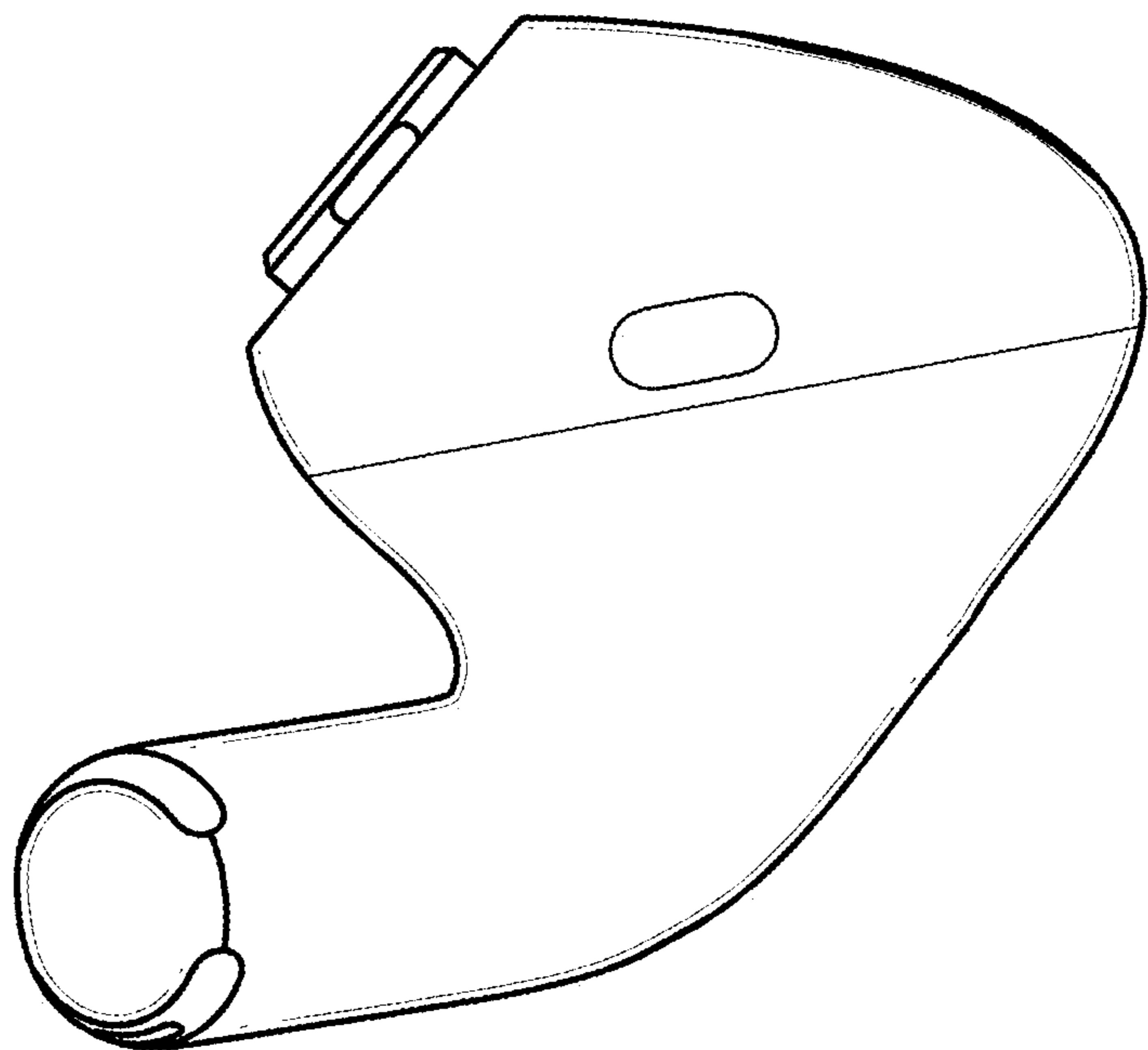


FIG. 8