



US00D928742S

(12) **United States Design Patent** (10) **Patent No.:** **US D928,742 S**
Liu (45) **Date of Patent:** **** Aug. 24, 2021**

(54) **WIRELESS EARPHONE**
(71) Applicant: **Shenzhen Eriwin Technology Limited.**, Shenzhen (CN)
(72) Inventor: **Xiabo Liu**, Guangdong (CN)
(**) Term: **15 Years**
(21) Appl. No.: **29/710,683**
(22) Filed: **Oct. 25, 2019**
(51) **LOC (13) Cl.** **14-01**
(52) **U.S. Cl.**
USPC **D14/223**
(58) **Field of Classification Search**
USPC D14/223, 205; D24/174; 128/864-867;
381/380, 381, 328; 455/90.3, 575.1,
455/569.1
CPC H04R 1/10; H04R 25/00; H04R 25/02;
H04R 1/1066; H04R 1/1016; H04R
5/033; H04R 5/0335
See application file for complete search history.

(56) **References Cited**

U.S. PATENT DOCUMENTS

D711,356 S * 8/2014 Yang D14/223
D719,139 S * 12/2014 Henry D14/223
D719,550 S * 12/2014 Yang D14/223
D725,082 S * 3/2015 Palmborg D14/223
D726,145 S * 4/2015 Hsieh D14/205
D727,871 S * 4/2015 Orbach D14/205
D728,107 S * 4/2015 Torres Martin D24/174
D733,101 S * 6/2015 Pi D14/223
D733,102 S * 6/2015 Palmborg D14/223
D733,103 S * 6/2015 Jeong D14/224
D735,169 S * 7/2015 Shieh D14/223
D742,861 S * 11/2015 Miyake D14/223
D764,445 S * 8/2016 Czaniecki D14/223
D773,032 S * 11/2016 Palmborg D24/106
D773,439 S * 12/2016 Walker D14/223

D777,710 S * 1/2017 Palmborg D14/223
D778,267 S * 2/2017 Hsieh D14/223
D781,269 S * 3/2017 Choe D14/223
D782,997 S * 4/2017 Shin D14/205
D788,079 S * 5/2017 Son D14/223
D795,225 S * 8/2017 Sumii D14/223
D798,843 S * 10/2017 Valenzuela D14/223
D800,097 S * 10/2017 Chen D14/223
D806,879 S * 1/2018 Horbinski D24/174
D810,054 S * 2/2018 Yuan D14/223
D812,042 S * 3/2018 Xiao D14/223
D813,206 S * 3/2018 Tang D14/223
D817,309 S * 5/2018 Czaniecki D14/223
D818,990 S * 5/2018 Tzeng D14/205
D833,420 S * 11/2018 Lindenberger D14/223

(Continued)

FOREIGN PATENT DOCUMENTS

CN 306382240 * 3/2021
CN 306401979 * 3/2021

(Continued)

Primary Examiner — Paula Allen Greene

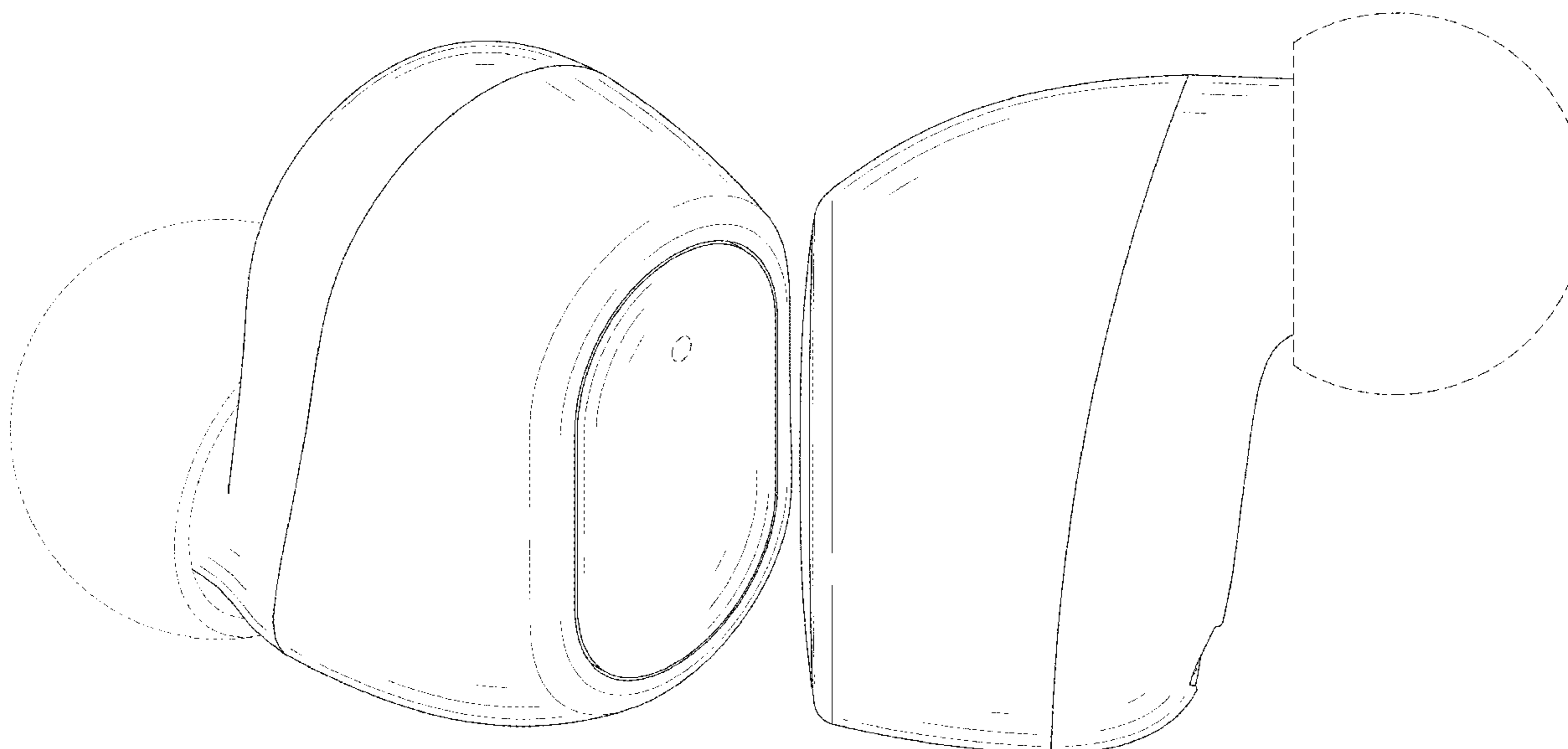
(57) **CLAIM**

The ornamental design for a wireless earphone, as shown and described.

DESCRIPTION

FIG. 1 is a front and top perspective view of a wireless earphone, showing my new design;
FIG. 2 is a rear and bottom perspective view thereof;
FIG. 3 is a front elevational view thereof;
FIG. 4 is a rear elevational view thereof;
FIG. 5 is a left side elevational view thereof;
FIG. 6 is a right side elevational view thereof;
FIG. 7 is a top plan view thereof; and,
FIG. 8 is a bottom plan view thereof.
The broken lines in the figures illustrate portions of the wireless earphone that form no part of the claimed design.

1 Claim, 8 Drawing Sheets



(56)

References Cited

U.S. PATENT DOCUMENTS

D843,353 S * 3/2019 Zhang D14/223
 D845,932 S * 4/2019 Lu D14/223
 D846,532 S * 4/2019 Xiao D14/223
 D847,126 S * 4/2019 Loermann D14/223
 D852,782 S * 7/2019 Bergman D14/223
 D858,489 S * 9/2019 Hu D14/223
 D860,975 S * 9/2019 Briggs D14/223
 D862,424 S * 10/2019 You D14/223
 D863,263 S * 10/2019 Yu D14/223
 D864,167 S * 10/2019 Wu D14/223
 D868,752 S * 12/2019 Zhu D14/223
 D870,707 S * 12/2019 Yang D14/223
 D875,714 S * 2/2020 Kim D14/205
 D880,457 S * 4/2020 Zhu D14/223
 D885,372 S * 5/2020 Wang D14/223
 D889,405 S * 7/2020 McCool D13/110
 D889,441 S * 7/2020 Lin D14/223
 D892,086 S * 8/2020 Bonahoom D14/223
 D892,087 S * 8/2020 Briggs D14/223
 D892,769 S * 8/2020 Cai D14/223
 D897,322 S * 9/2020 Wei D14/223

D899,405 S * 10/2020 Vaclavik D14/223
 10,827,249 B1 * 11/2020 Pine H04R 1/1016
 D904,349 S * 12/2020 Saxton D14/223
 D906,292 S * 12/2020 Wang D14/223
 D915,358 S * 4/2021 Ma D14/223
 2011/0155147 A1 * 6/2011 McIntosh A61F 11/08
 128/864
 2012/0114160 A1 * 5/2012 Lin H04R 1/1091
 381/380
 2017/0026738 A1 * 1/2017 Tang H04R 1/1091
 2017/0366233 A1 * 12/2017 Hviid H04B 5/02
 2018/0035193 A1 * 2/2018 Tsubone H04R 1/10
 2019/0069066 A1 * 2/2019 Song H04R 1/1041
 2020/0177981 A1 * 6/2020 Ma H04R 1/1016
 2020/0186906 A1 * 6/2020 Birch H04R 1/1016
 2020/0374632 A1 * 11/2020 Wang H04R 5/033

FOREIGN PATENT DOCUMENTS

CN 306460475 * 4/2021
 JP D1635077 * 6/2019
 WO D203843-001 * 12/2019

* cited by examiner

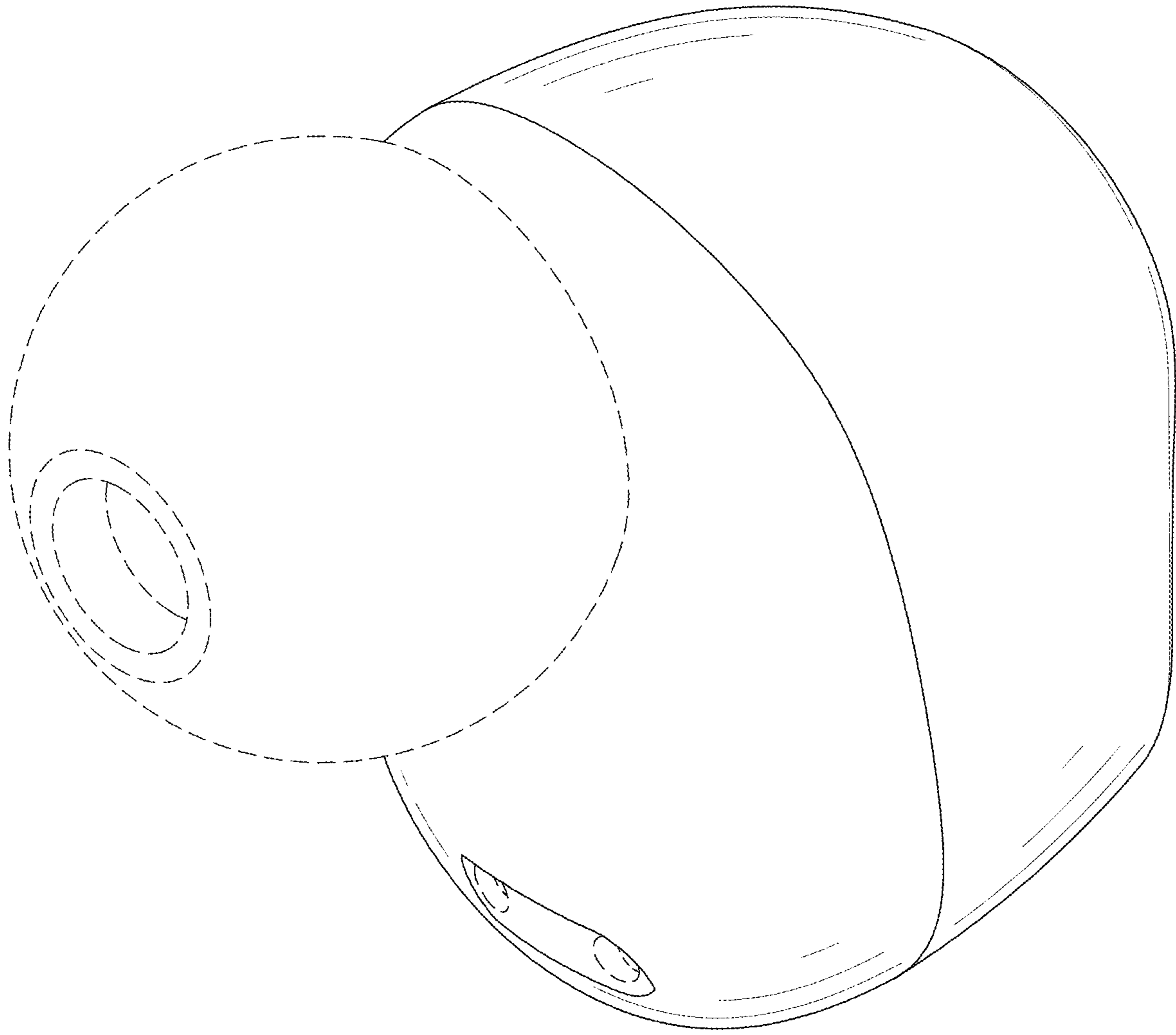


FIG. 1

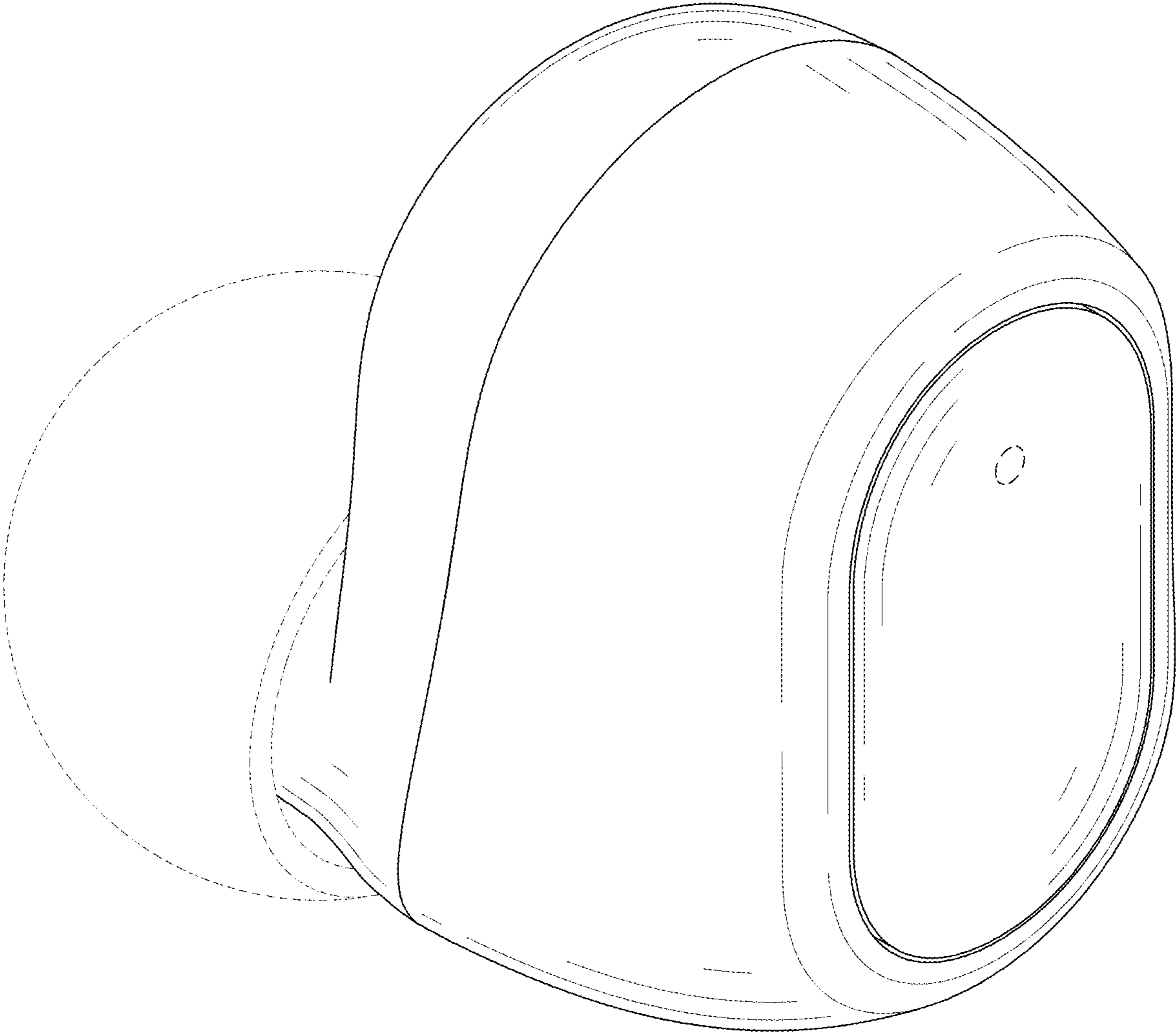


FIG. 2

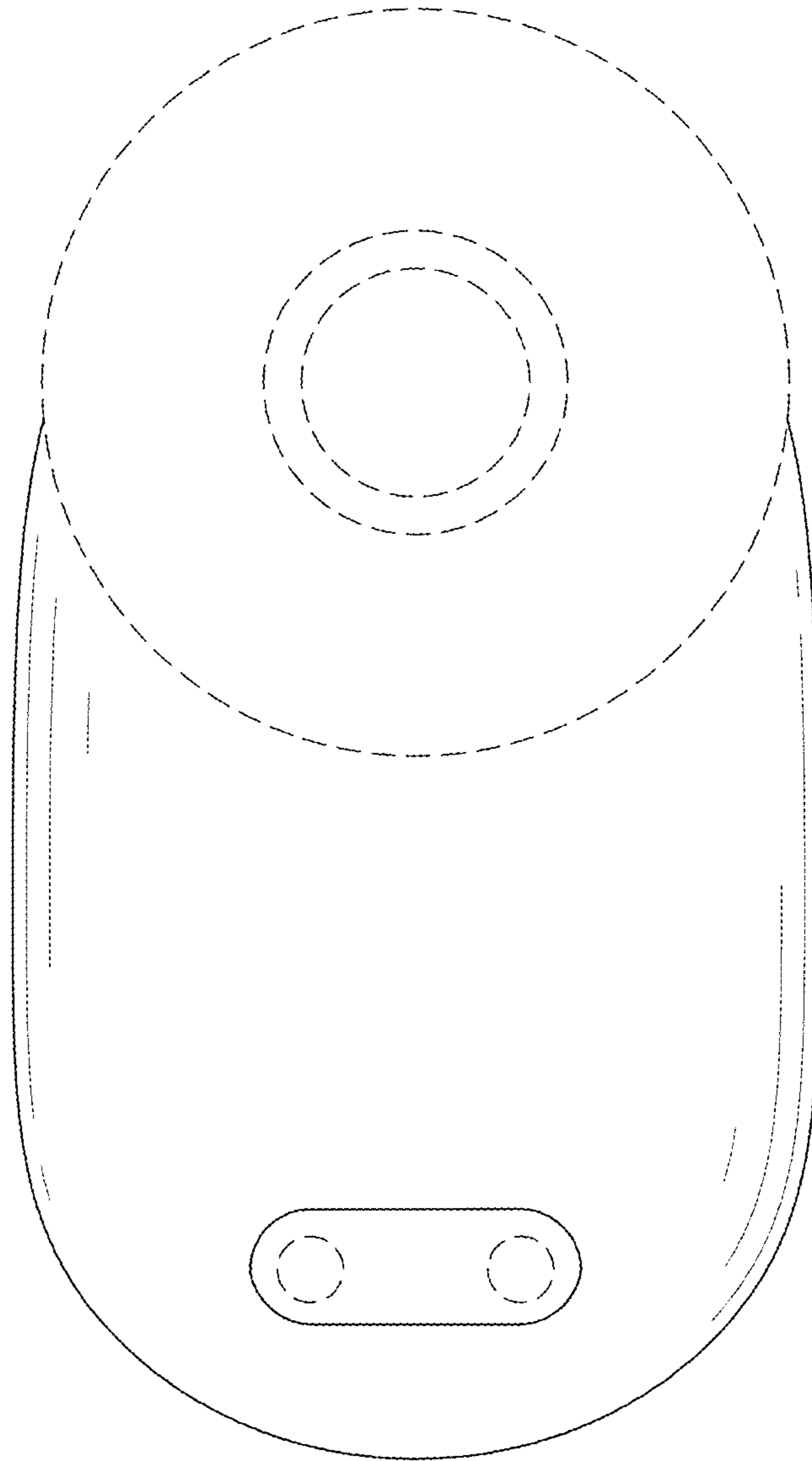


FIG. 3

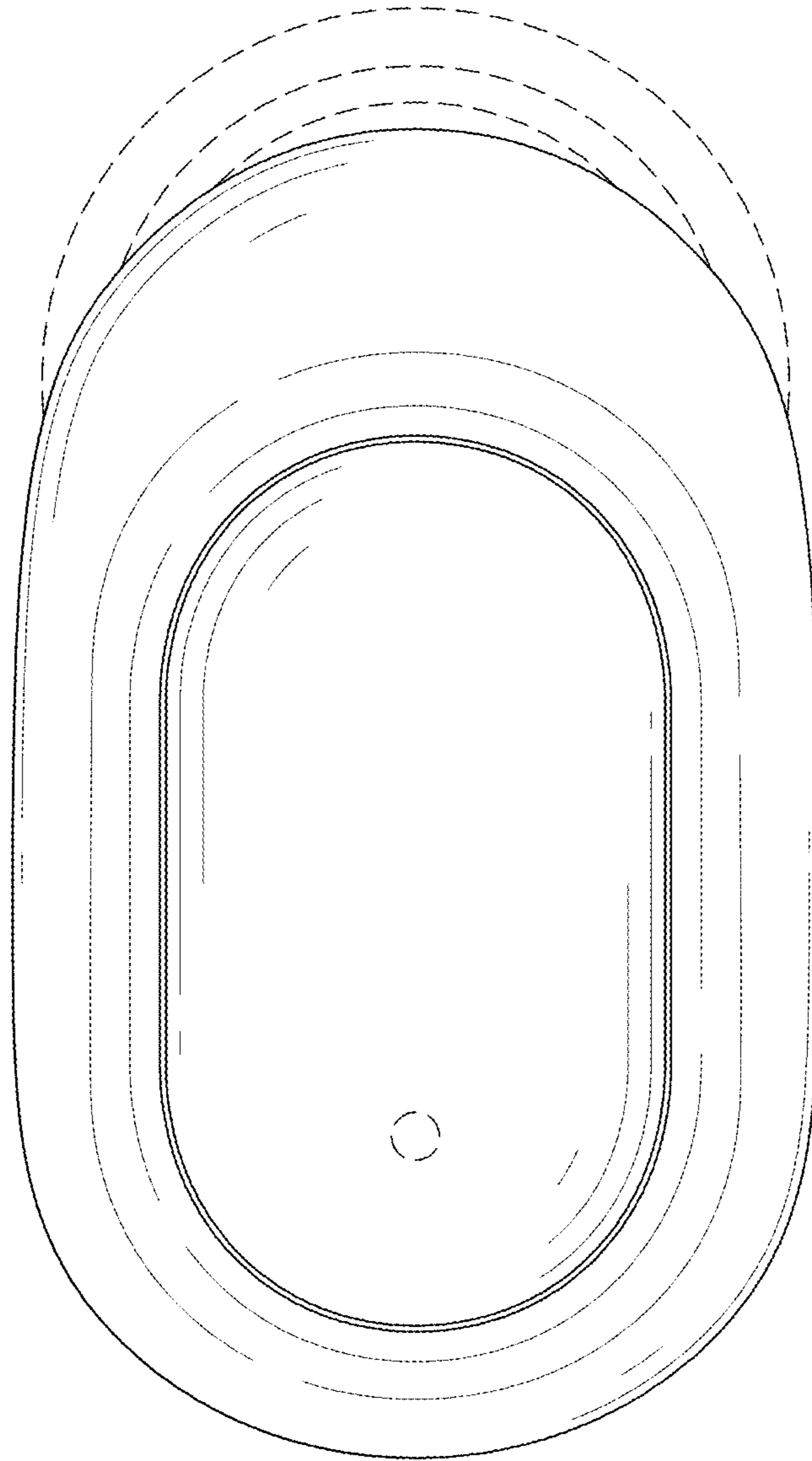


FIG. 4

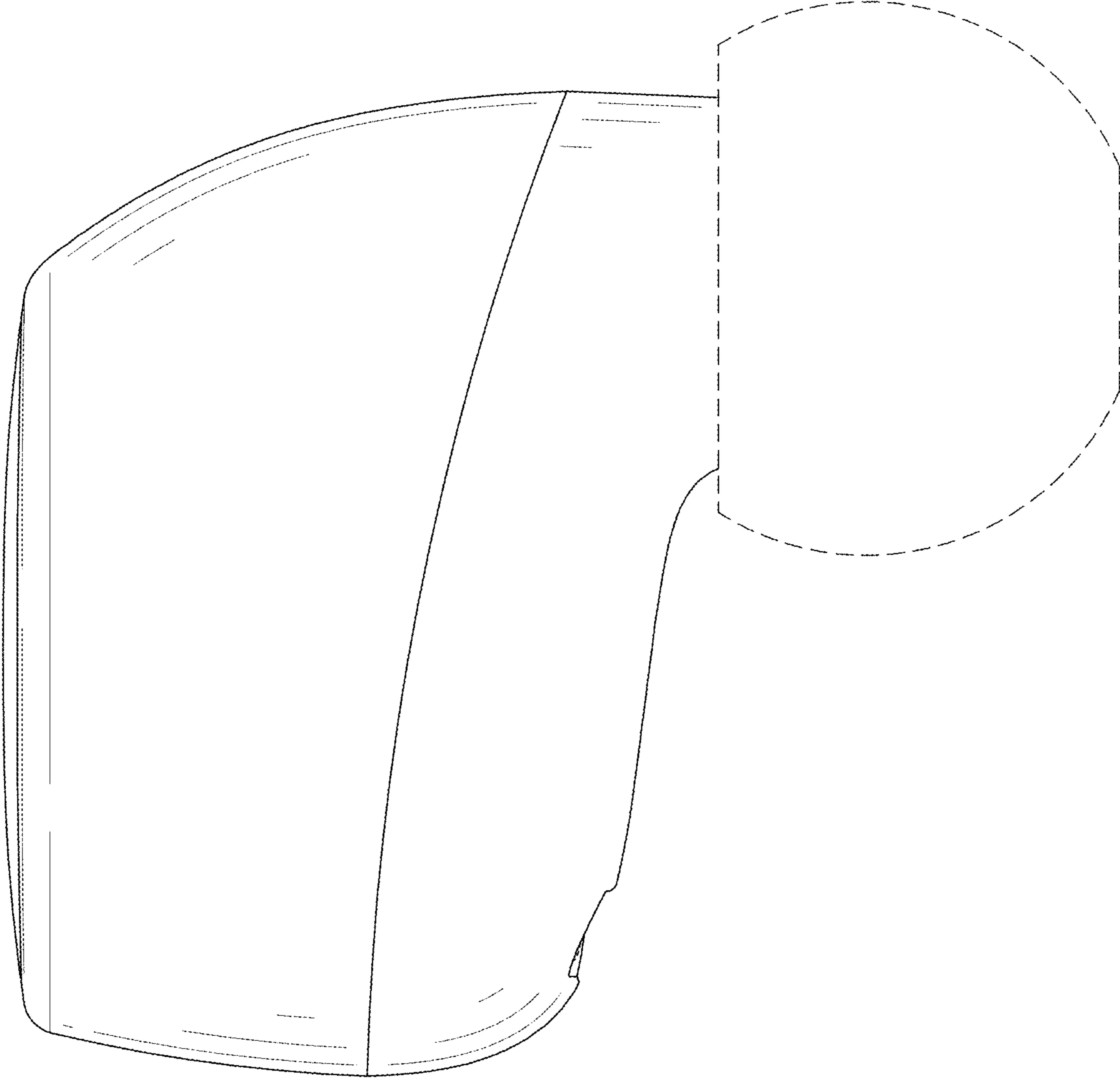


FIG. 5

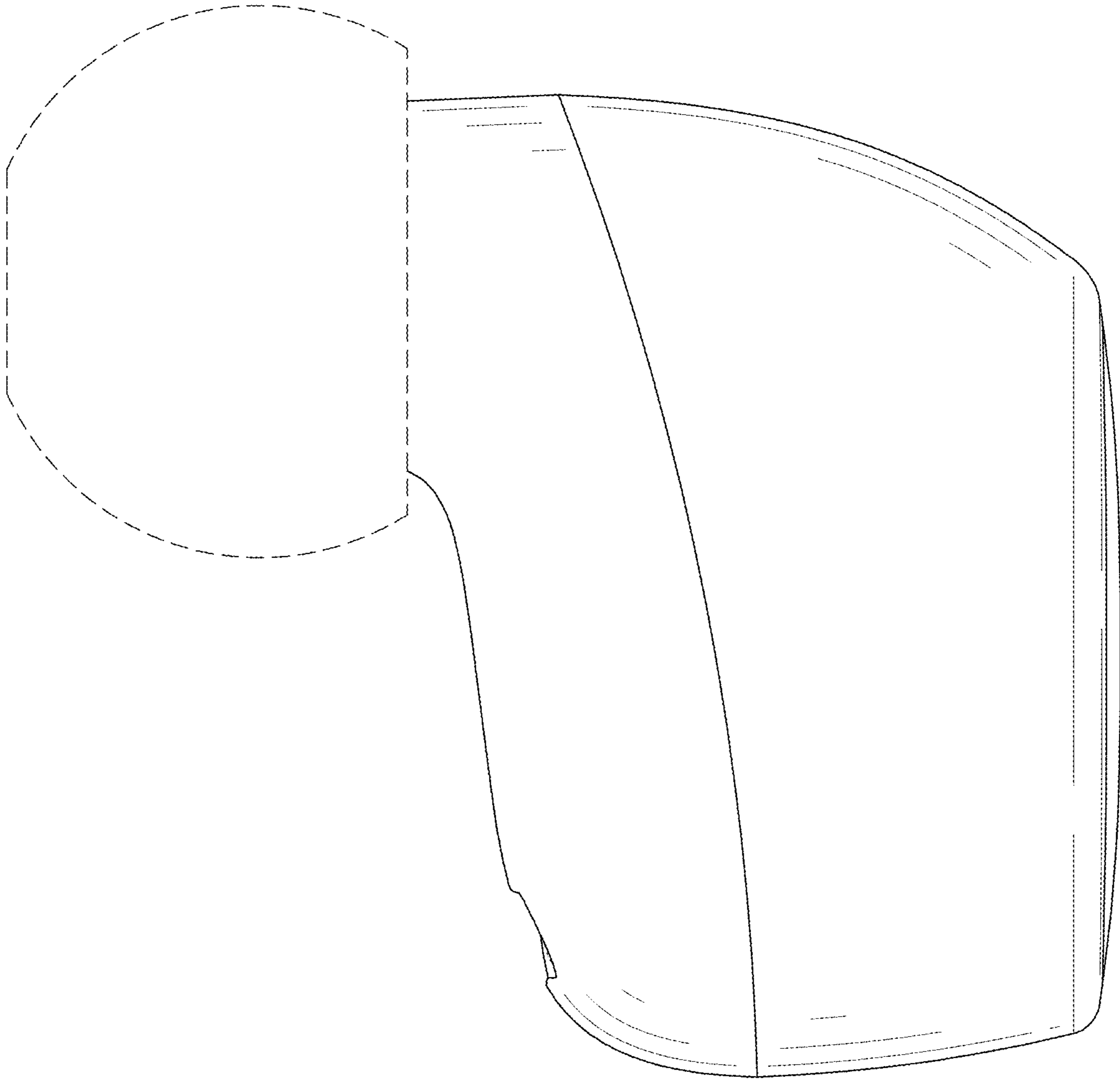


FIG. 6

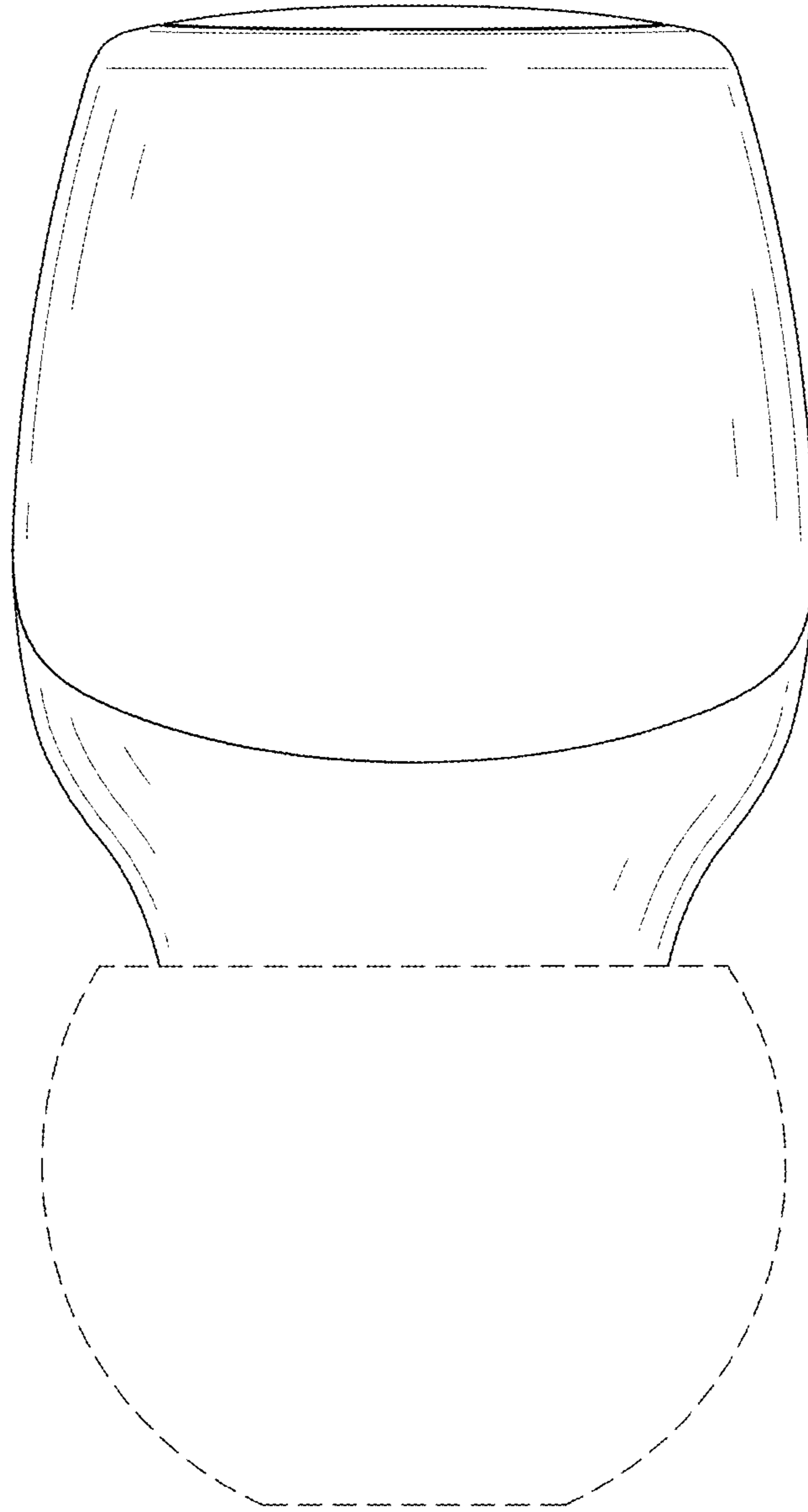


FIG. 7

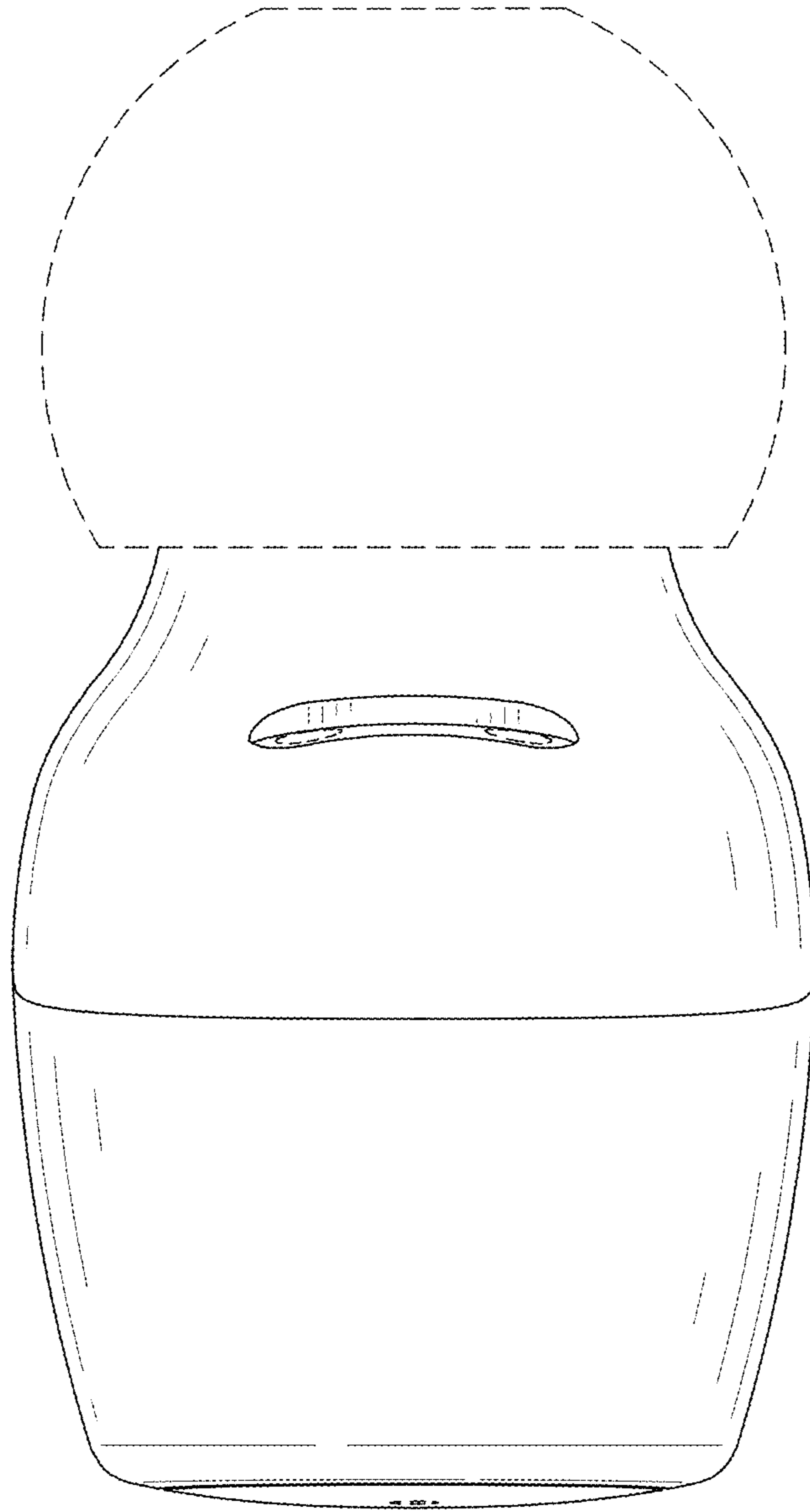


FIG. 8