



US00D928739S

(12) **United States Design Patent**
Walcott et al.

(10) **Patent No.:** **US D928,739 S**

(45) **Date of Patent:** **** Aug. 24, 2021**

(54) **SPEAKER**

2400/00; H04R 2400/07; H04R 2499/11;
H04R 2499/13; H04R 2499/15; H04S
3/00; H04S 7/30

(71) Applicant: **Dolby Laboratories Licensing Corporation**, San Francisco, CA (US)

See application file for complete search history.

(72) Inventors: **Drew Alexander Walcott**, San Francisco, CA (US); **Grayson H. Byrd**, San Francisco, CA (US); **Peter Michaelian**, San Francisco, CA (US); **Brian Edward Renz**, San Francisco, CA (US); **John Carson Stewart**, San Francisco, CA (US); **Cody Michael Proksa**, San Francisco, CA (US); **Vincent Voron**, San Francisco, CA (US); **Sripal S. Mehta**, San Francisco, CA (US); **Alan J. Seefeldt**, San Francisco, CA (US)

(56) **References Cited**

U.S. PATENT DOCUMENTS

3,720,787 A *	3/1973	Ishii	H04R 1/02 381/336
D281,066 S *	10/1985	Humble	D14/215
5,812,685 A *	9/1998	Fujita	H04R 1/403 181/144
6,009,972 A *	1/2000	Choi	H04R 1/345 181/153
D447,471 S *	9/2001	Andre	D14/215
D466,887 S *	12/2002	Lewis	D14/216
6,856,692 B2 *	2/2005	Lin	H04R 1/026 181/199

(Continued)

Primary Examiner — Keli L Hill

(73) Assignee: **DOLBY LABORATORIES LICENSING CORPORATION**, San Francisco, CA (US)

(74) *Attorney, Agent, or Firm* — McAndrews, Held & Malloy, Ltd.

(**) Term: **15 Years**

(57) **CLAIM**

(21) Appl. No.: **29/657,811**

The ornamental design for a speaker, as shown and described.

(22) Filed: **Jul. 25, 2018**

(51) **LOC (13) Cl.** **14-01**

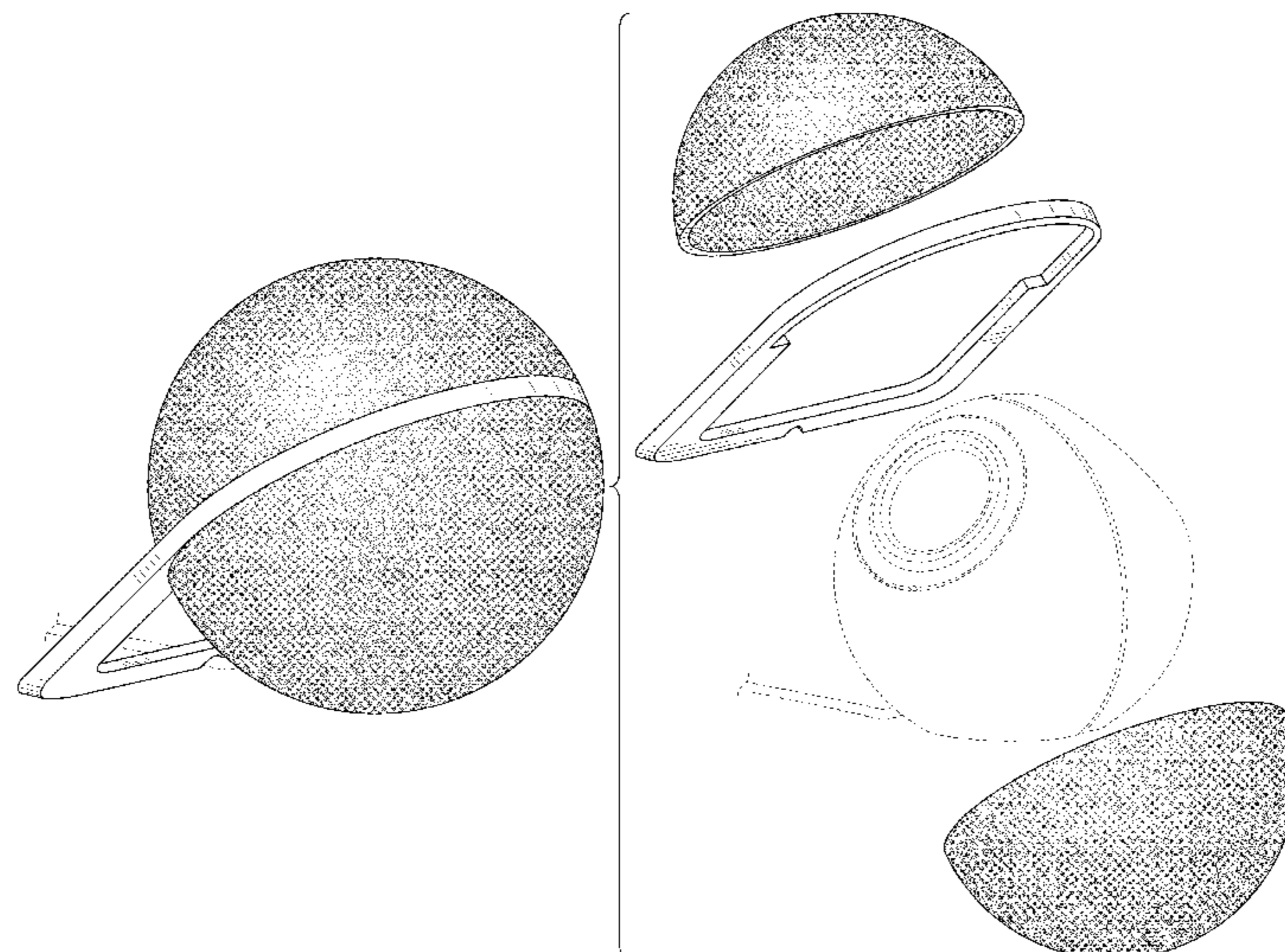
(52) **U.S. Cl.**
USPC **D14/216**

DESCRIPTION

(58) **Field of Classification Search**
USPC D14/167, 168, 170–172, 188, 194–196,
D14/204, 209.1, 210–216, 219, 221, 222,
D14/224, 239, 496
CPC B60R 11/0217; G06F 1/1688; G10K 9/22;
G10K 11/004; H03F 1/327; H04M 1/03;
H04M 1/035; H04N 5/642; H04N
21/4852; H04R 1/02; H04R 1/06; H04R
1/021; H04R 1/025; H04R 1/026; H04R
1/028; H04R 1/105; H04R 1/323; H04R
1/403; H04R 1/2803; H04R 1/2834;
H04R 5/02; H04R 7/20; H04R 9/06;
H04R 9/025; H04R 2201/021; H04R

FIG. 1 is a front perspective view of a speaker showing our new design;
FIG. 2 is a front elevation view thereof;
FIG. 3 is a rear elevation view thereof;
FIG. 4 is a right side elevation view thereof;
FIG. 5 is a left side elevation view thereof;
FIG. 6 is a top plan view thereof;
FIG. 7 is a bottom plan view thereof; and,
FIG. 8 is an exploded front perspective view thereof.
The dashed broken lines in the figures illustrate portions of the speaker that form no part of the claimed design.

1 Claim, 6 Drawing Sheets



(56)

References Cited

U.S. PATENT DOCUMENTS

D514,093 S * 1/2006 Borsboom D14/216
 D526,644 S * 8/2006 Breit D14/216
 D552,054 S * 10/2007 Pena Angarita D14/496
 D552,084 S * 10/2007 Chapman D14/216
 D573,135 S * 7/2008 Laituri D14/168
 D592,217 S * 5/2009 Chen D14/480.2
 D593,543 S * 6/2009 Lui D14/216
 8,068,618 B2 * 11/2011 Vollmer H04R 1/323
 381/89
 D676,423 S * 2/2013 Joseph D14/216
 D696,298 S * 12/2013 Britt, Jr. D14/496
 D711,351 S * 8/2014 Breines D14/215
 D728,518 S * 5/2015 Babataher D14/216
 D729,204 S * 5/2015 Tze-Yen D14/216
 D781,274 S * 3/2017 Kim D14/242
 D781,813 S * 3/2017 Pignotti D14/204
 D789,906 S * 6/2017 Zhang H04R 1/026
 D14/209.1
 D793,363 S * 8/2017 Zhang D14/216
 D795,220 S * 8/2017 Uziel D14/216
 D813,191 S * 3/2018 Pignotti H04R 1/345
 D14/204
 D829,688 S * 10/2018 Tanaka H04R 1/403
 D14/216
 D848,506 S * 5/2019 Hsu D16/210
 D849,100 S * 5/2019 Hsu D16/210
 D880,453 S * 4/2020 Walcott D14/209.1
 D884,673 S * 5/2020 Han H04R 1/02
 D14/216
 D890,118 S * 7/2020 Hubert D14/204
 D896,808 S * 9/2020 Koh D14/314

* cited by examiner

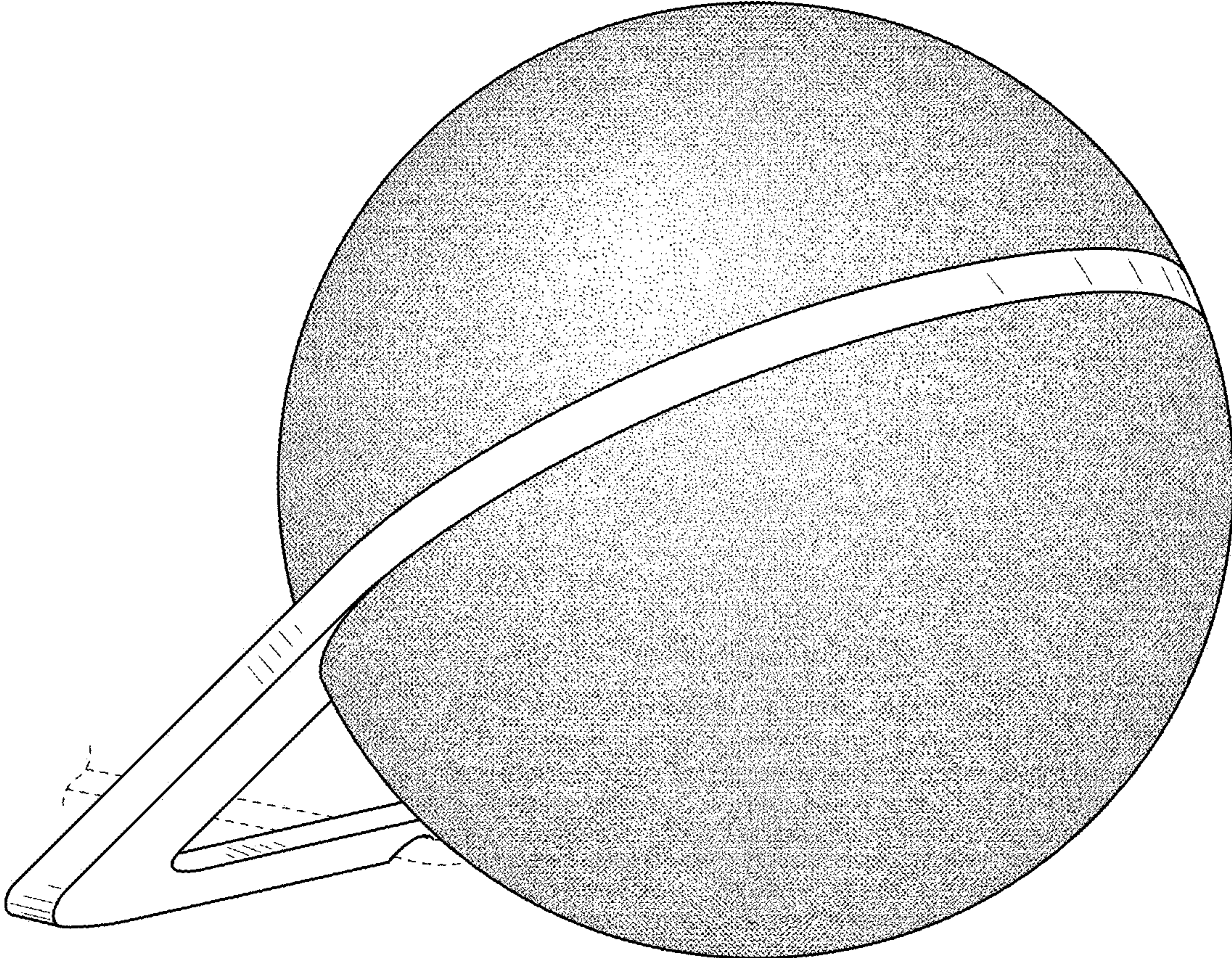


FIG. 1

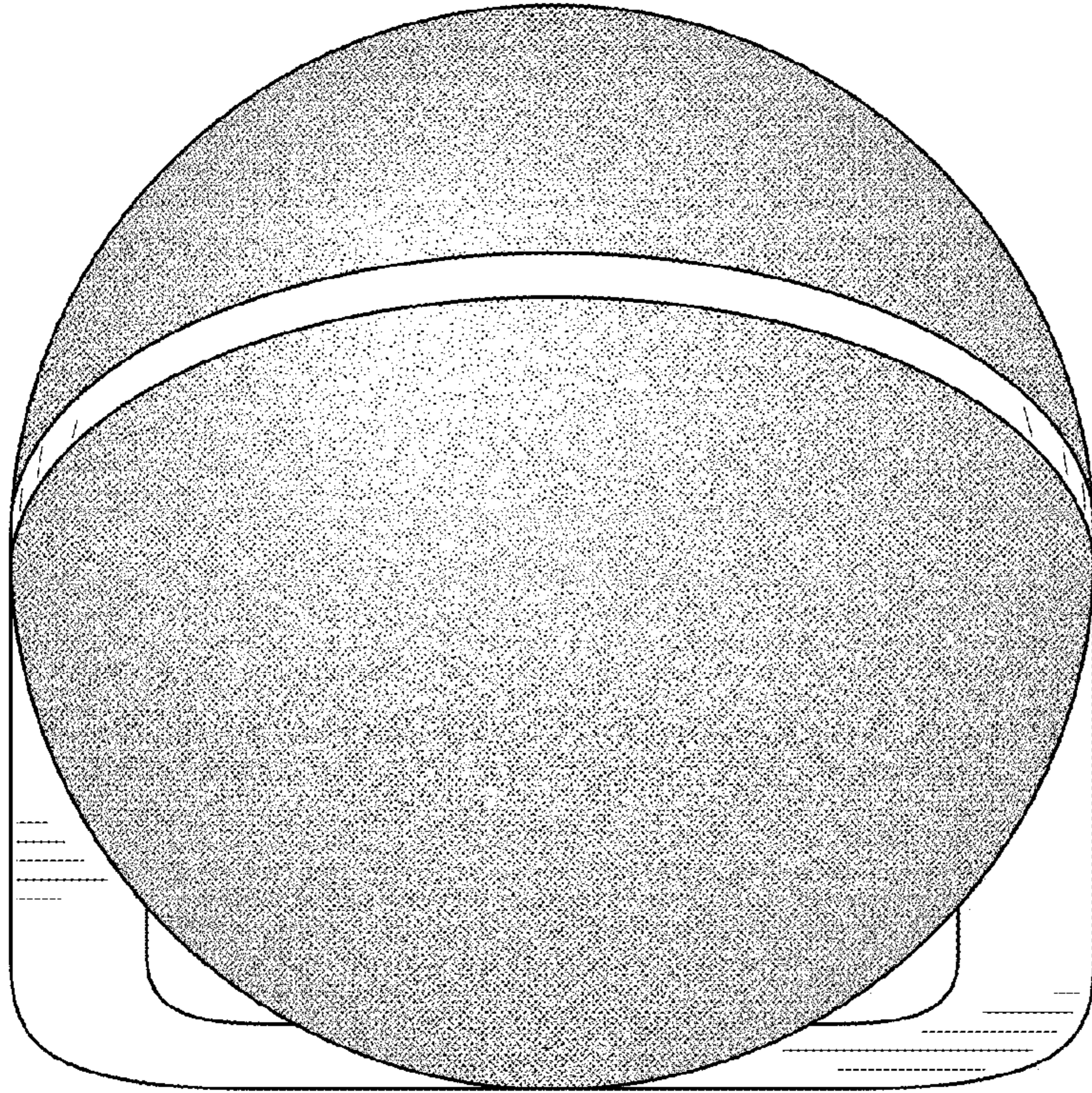


FIG. 2

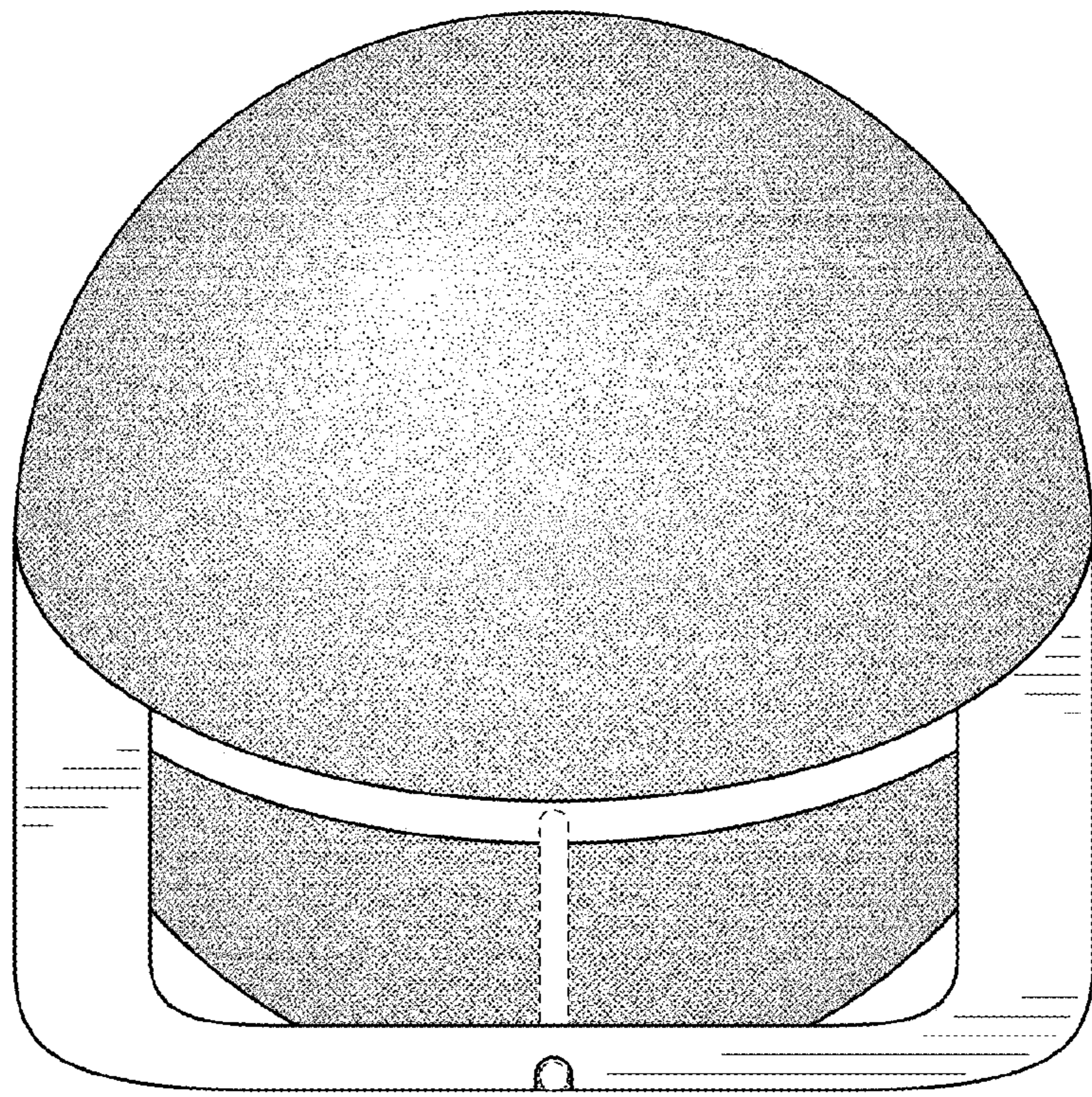


FIG. 3

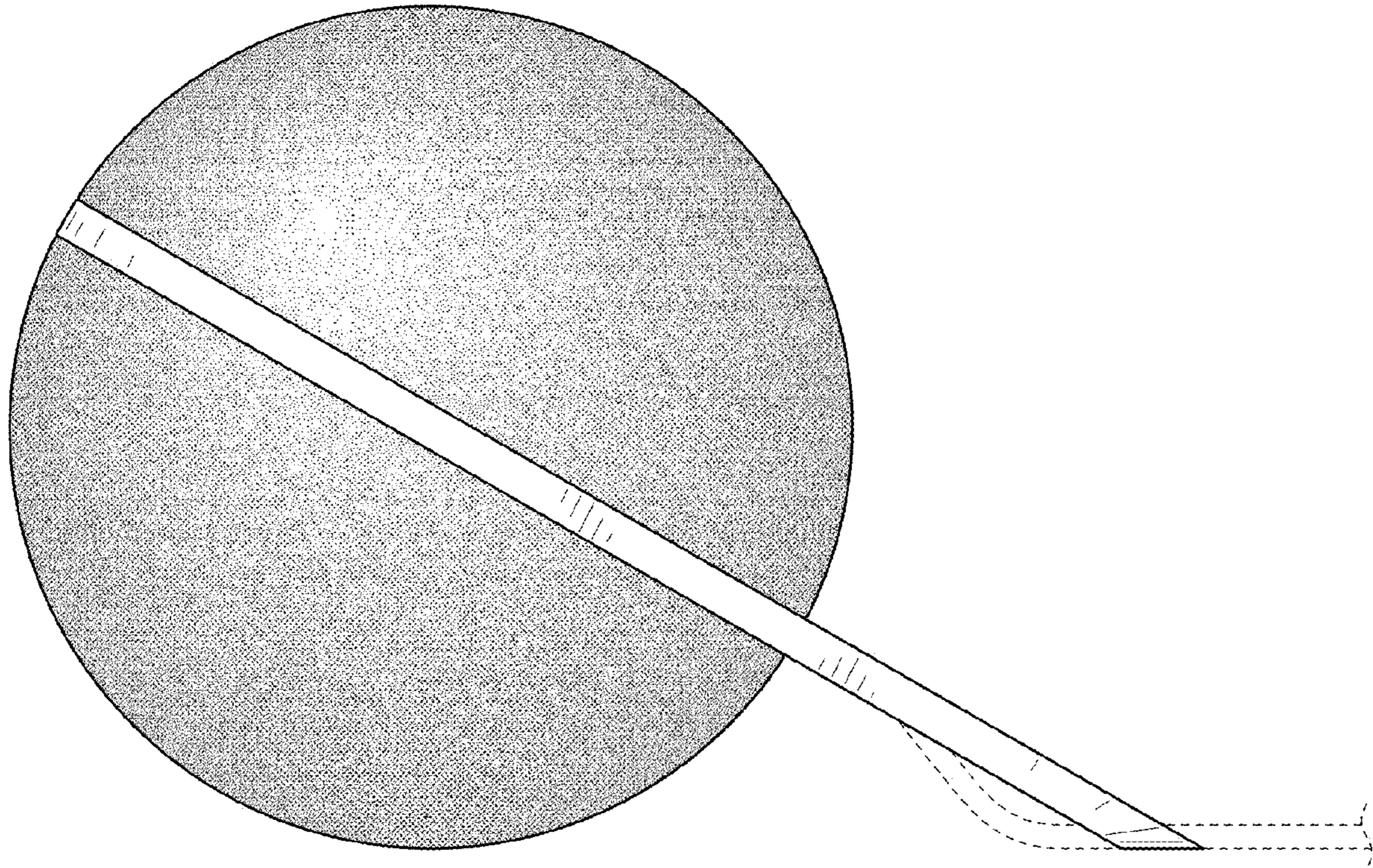


FIG. 4

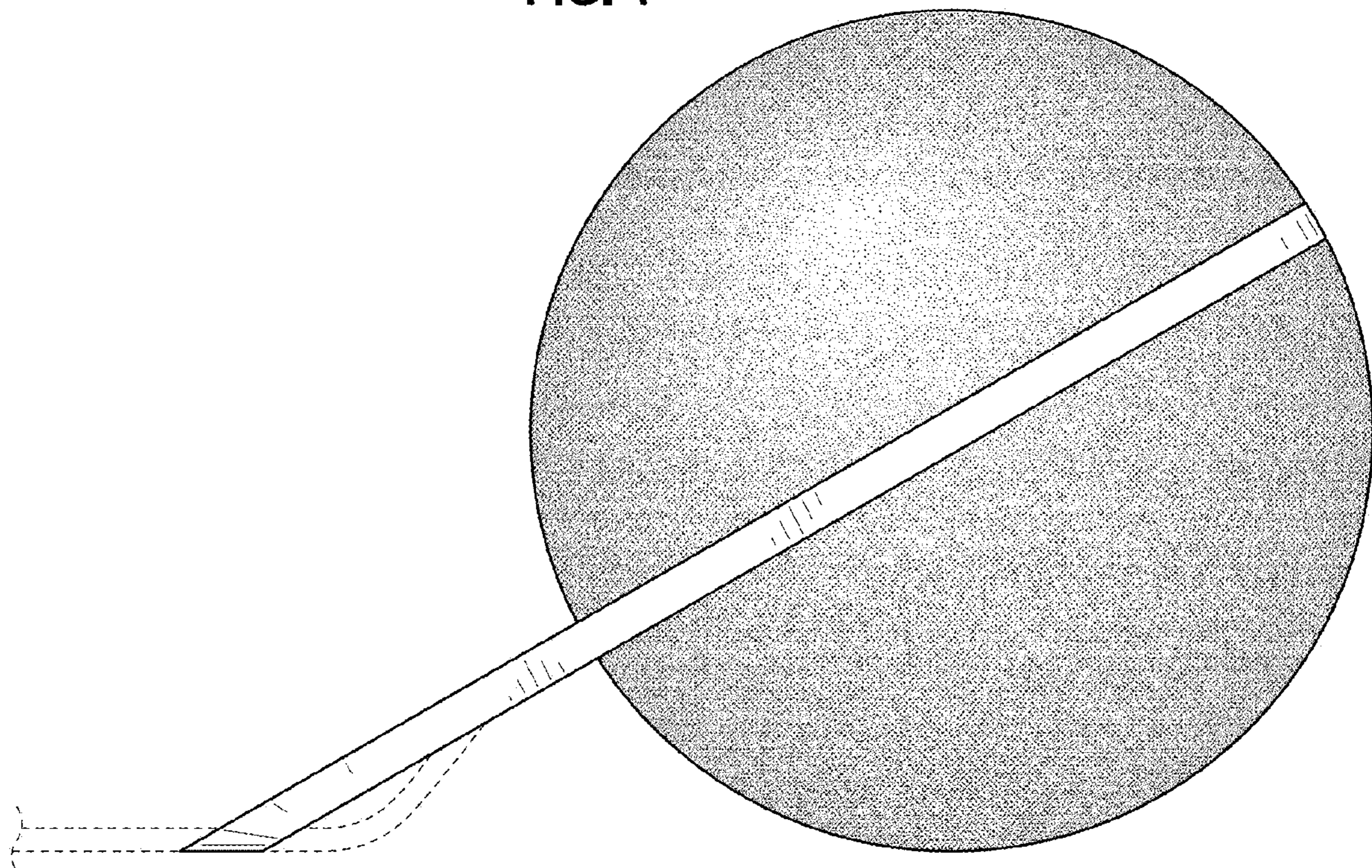


FIG. 5

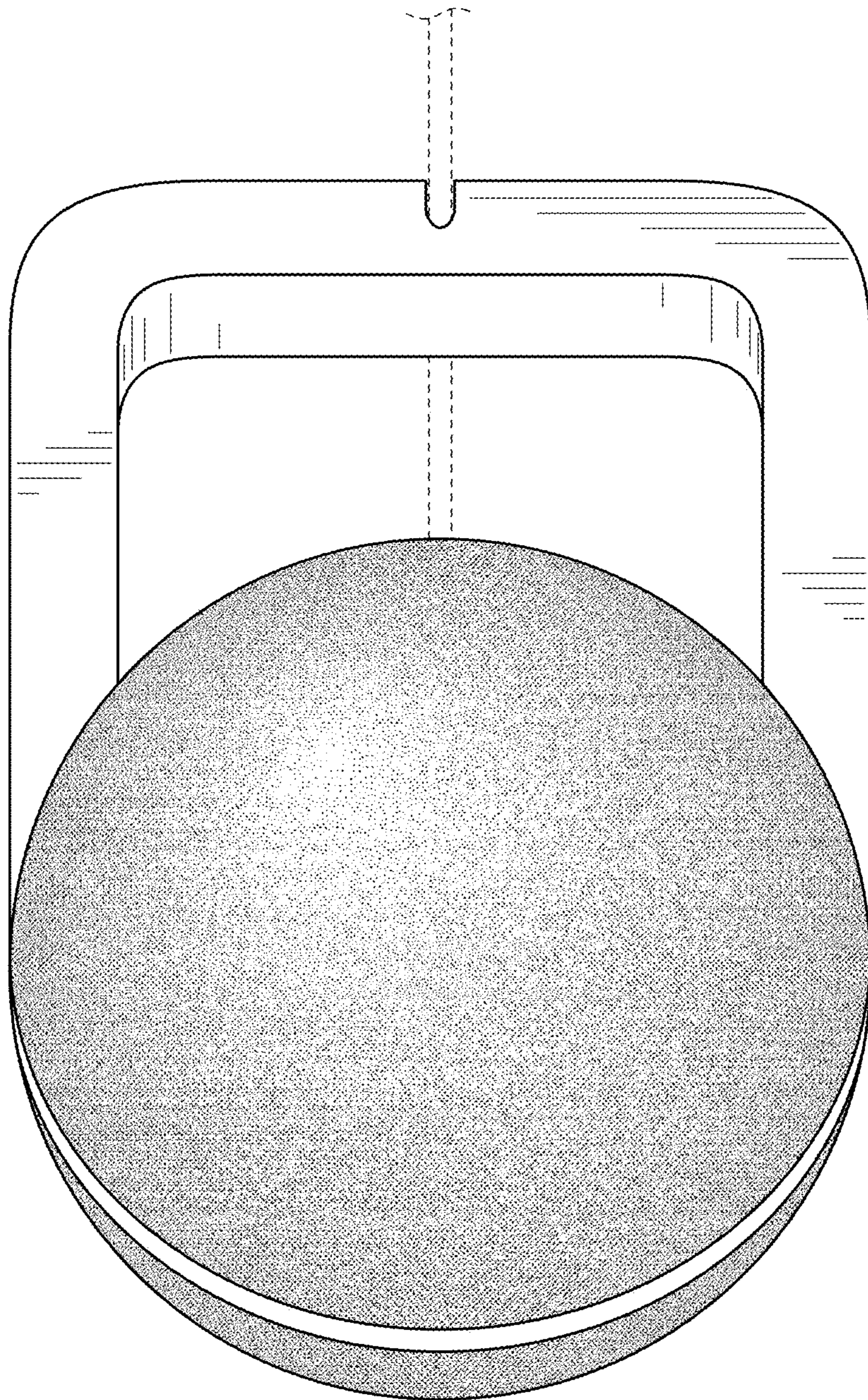


FIG. 6

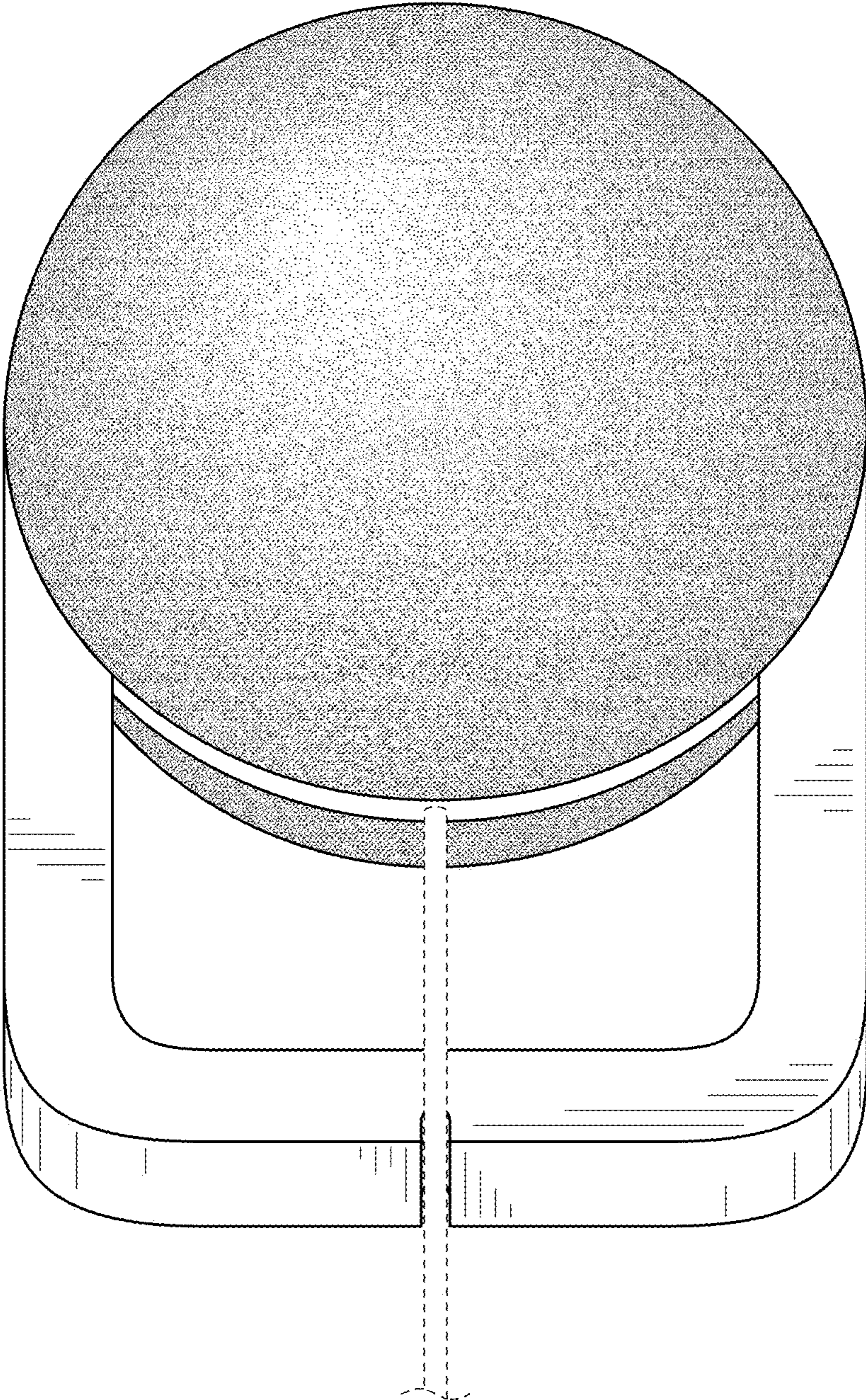


FIG. 7

